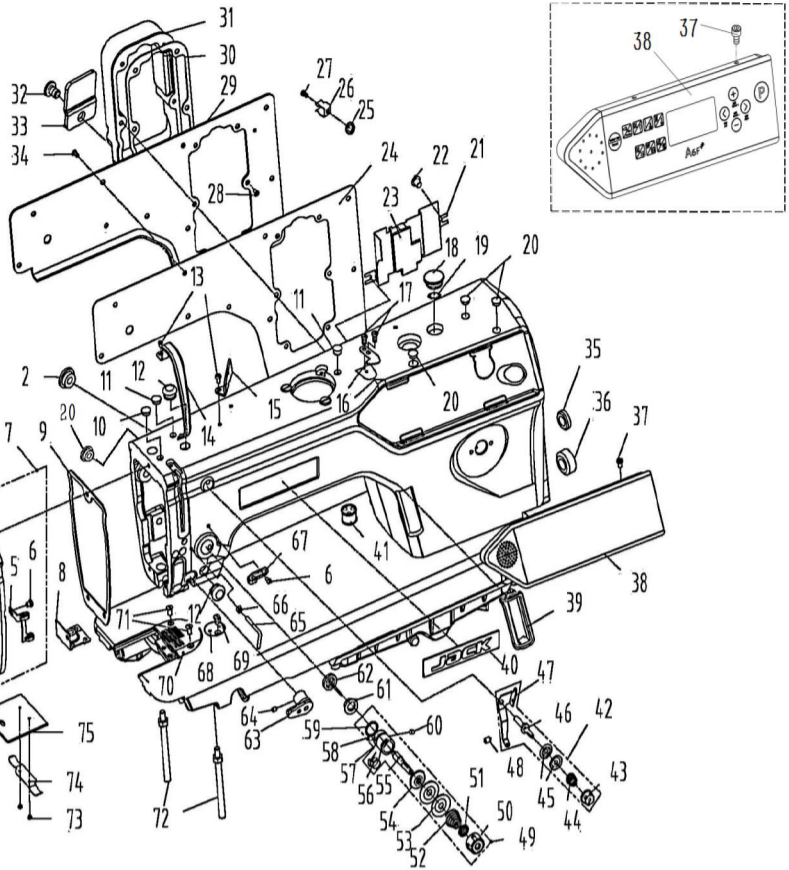
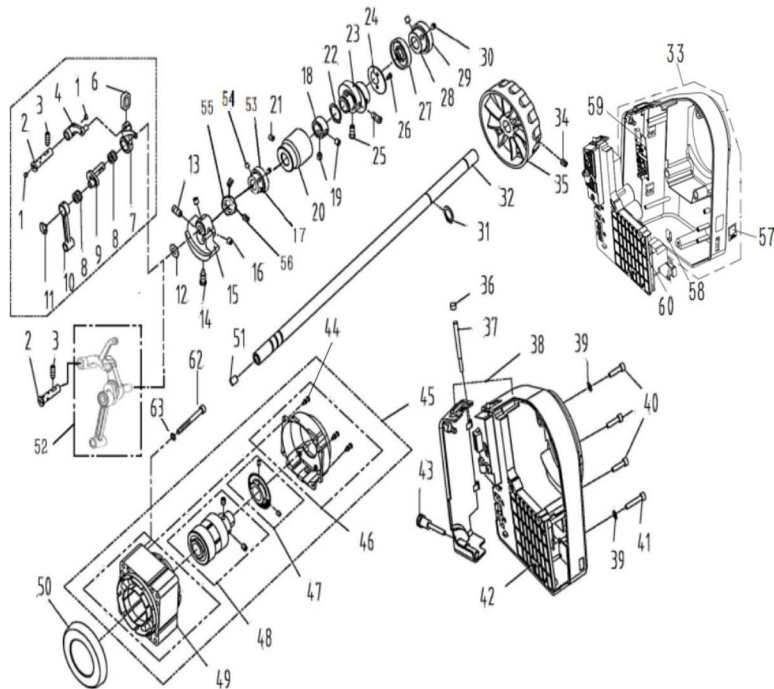


1



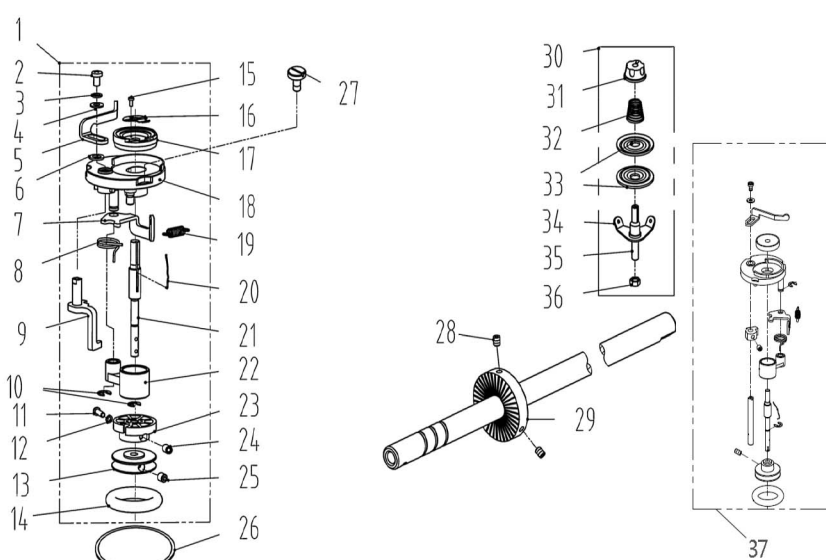
#### 1. 机壳、外装部件/Machine Frame & Miscellaneous Cover Components

序号 NO	公司件号	Part NO	名称	PartName	零件描述	Description	数量	Number
1	101S11001		螺钉SM3/16"×28 L=9	Screw SM3/16"×28 L=9	Screw SM3/16"×28 L=9		3	
2	10122003		面板调节孔螺塞	Rubber plug	Rubber plug		2	
3	14437001		面板商标牌	Head card	Head card		1	
4	14401005		面板	Face plate	Face plate		1	
5	13813005		左线钩	Thread guide left	Thread guide left		1	
6	101S11007		螺钉SM11/64"×40 L=6	Screw SM11/64"×40 L=6	Screw SM11/64"×40 L=6		2	
7	303979		面板组件(喷漆)	Face plate asm	Face plate asm		1	
8	14422001		针杆油封套	Needle bar oil seal set	Needle bar oil seal set		1	
9	14422004		面板垫	Face plate gasket	Face plate gasket		1	
10	13122003		针杆孔塞	Rubber plug	Rubber plug		1	
11	10122005		挑线连杆销螺孔塞	Rubber plug	Rubber plug		2	
12	10122004		针杆曲柄螺孔塞	Rubber plug	Rubber plug		2	
13	101S11004		螺钉SM3/16"×28 L=7	Screw SM3/16"×28 L=7	Screw SM3/16"×28 L=7		2	
14	13812018		挑线杆防护罩	Thread take-up lever cover	Thread take-up lever cover		1	
15	13512004		三孔线钩	3-hole thread guide	3-hole thread guide		1	
16	11419001		割线刀	Knife	Knife		1	
17	114S11015		螺钉SM9/64"×40 L=6	Screw SM9/64"×40 L=6	Screw SM9/64"×40 L=6		1	
18	21022007		油塞	Rubber plug	Rubber plug		1	
19	21012018		油封垫	Oil sealing washer	Oil sealing washer		1	
20	13822001		操作屏孔塞	Rubber plug	Rubber plug		4	
21	14412021		隔油板	Oil preventing plate	Oil preventing plate		1	
22	141S11002		螺钉SM3/16"×28 L=4.5	Screw SM3/16"×28 L=4.5	Screw SM3/16"×28 L=4.5		2	
23	14423002		隔油板油棉	Oil cotton	Oil cotton		1	
24	14422005		后窗板垫	Side plate gasket	Side plate gasket		1	
25	10128016		螺钉销橡胶垫圈	Washer	Washer		1	
26	13812007		卡簧	Buckle	Buckle		1	
27	S04021		螺钉M4 L=4	Screw M4 L=4	Screw M4 L=4		1	
28	101S11001		螺钉SM3/16"×28 L=9	Screw SM3/16"×28 L=9	Screw SM3/16"×28 L=9		6	
29	14412002		后窗板	Side plate	Side plate		1	
30	14422002		抬压脚电磁盖板垫	Flat pad	Flat pad		1	
31	303980		抬压脚电磁盖板	Presser foot electromagnet cover plate	Presser foot electromagnet cover plate		1	
32	101S11033		油管压板螺钉	Screw	Screw		1	
33	14412022		电线压板	Wire clamp	Wire clamp		1	
34	101S11001		螺钉SM3/16"×28 L=9	Screw SM3/16"×28 L=9	Screw SM3/16"×28 L=9		12	
35	10122006		送料调节器孔塞	Rubber plug	Rubber plug		1	
36	10122007		下轴工艺孔塞	Rubber plug	Rubber plug		1	
37	138S05001		螺钉M3 L=12	Screw M3 L=12	Screw M3 L=12		2	
	14430021		操作面板组件	Control panel	Control panel		1	
38	11443001000		操作面板组件(+)	Control panel(+)	Control panel(+)		1	
39	14422007		装饰条	Decorative article	Decorative article		1	
40	14437002		机头商标牌	Head card	Head card		1	
41	14122001		橡皮塞(四孔)	Four-hole Rubber plug	Four-hole Rubber plug		1	
42	1411300400		小夹线器组件	Thread tension asm	Thread tension asm		1	
43	141S16019		小夹线器螺母	Thread tension nut	Thread tension nut		1	
44	11227001		小夹线弹簧	Thread tension spring	Thread tension spring		1	
45	14112017		小夹线板	Thread tension disk	Thread tension disk		2	
46	13810008		小夹线器螺柱	Thread tension post	Thread tension post		1	
47	13812066		过线板	Thread tension guide plate	Thread tension guide plate		1	
48	138S08006		螺钉SM3/16"×28 L=7	Screw SM3/16"×28 L=7	Screw SM3/16"×28 L=7		1	
49	11411300200		夹线器组件	Thread tension asm	Thread tension asm		1	
	11411300300		夹线器组件(厚料)	Thread tension asm (H)	Thread tension asm (H)		1	
50	141S16013		夹线器螺母	Thread tension nut	Thread tension nut		1	
51	10112007		夹线制动板	Thread disk rotating stopper	Thread disk rotating stopper		1	
52	10127002		夹线弹簧	Thread tension spring	Thread tension spring		1	
	11427050		夹线弹簧(厚料)	Thread tension spring (H)	Thread tension spring (H)		1	
53	14112015		夹线板	Thread tension disk	Thread tension disk		2	
54	114112023		松线板	Disk stopper	Disk stopper		1	
55	141S30001		夹线螺钉	Thread tension post	Thread tension post		1	
56	113827006		挑线簧	Thread take-up spring	Thread take-up spring		1	
57	113827009		挑线簧(厚料)	Thread take-up spring (H)	Thread take-up spring (H)		1	
58	10103011		挑线簧调节座	Thread tension base	Thread tension base		1	
59	101S15005		螺钉SM9/64"×40 L=5.5	Screw SM9/64"×40 L=5.5	Screw SM9/64"×40 L=5.5		1	
60	10122014		挑线簧调节座O型圈	Rubber ring	Rubber ring		1	
61	101S15010		螺钉SM15/64"×28 L=10.5	Screw SM15/64"×28 L=10.5	Screw SM15/64"×28 L=10.5		1	
62	14403003		松线钉支撑套	Loose wire nail support sleeve	Loose wire nail support sleeve		1	
63	1442600300		松线钉组件	Loose wire nail asm.	Loose wire nail asm.		1	
64	1443000100		电子夹线器组件	Nest less e-device	Nest less e-device		1	
65	207S14007		螺钉M4 L=6	Screw M4 L=6	Screw M4 L=6		1	
66	13113001		固定式缓线钩	Thread guide	Thread guide		1	
67	401S16001		螺母SM9/64"×40	Nut SM9/64"×40	Nut SM9/64"×40		1	
68	10113004		右线钩	Thread guide right	Thread guide right		1	
69	13812019		卷边器座	Ruler stop seat	Ruler stop seat		1	
70	101S11002		螺钉SM11/64"×40 L=5.5	Screw SM11/64"×40 L=5.5	Screw SM11/64"×40 L=5.5		1	
	13115001		针板	Needle plate	Needle plate		1	
	13115002		针板(厚料)	Needle plate (H)	Needle plate (H)		1	
71	104S17002		螺钉SM11/64"×40 L=6.5	Screw SM11/64"×40 L=6.5	Screw SM11/64"×40 L=6.5		2	
72	140S12001		底板支柱	Machine head stud	Machine head stud		2	
73	101S11019		螺钉SM3/32"×56 L=2	Screw SM3/32"×56 L=2	Screw SM3/32"×56 L=2		2	
74	10127009		推板簧	Slide plate spring	Slide plate spring		1	
75	10115002		推板	Screw	Screw		1	



## 2. 上轴、挑线部件/Main Shaft &amp; Thread Take-up Components

序号 NO	公司件号	Part NO	名称	PartName	零件描述	Description	数量	Number
1	13111002		塞子	Plug				2
2	12226001		挑线连杆销	Thread take-up connecting rod pin				1
3	101515001		螺钉SM15/64×28 L=13	Screw SM15/64×28 L=13				1
4	11305010		挑线连杆 (厚料)	Thread take-up connecting rod (H)				1
6	14422008		挑线杆断油橡胶	Thread take-up lever rubber				1
7	1133800200		挑线杆分组件 (厚料)	Thread take-up lever asm (H)				1
	13538003		挑线杆分组件 (HL)	Thread take-up lever asm (HL)				1
8	10124001		挑线杆滚针轴承 (厚料)	Needle bearing (H)				2
9	11310010		挑线曲柄分部件 (厚料)	Thread take-up crank (H)				1
10	10105002		针杆连杆 (厚料)	Needle bar connecting rod (H)				1
11	101517001		螺钉SM9/64×40 (左旋) L=4.8	Screw SM9/64×40 (Left hand) L=4.8				1
12	10112003		针杆曲柄护板	Needle bar crank protecting plate				1
13	101515004		螺钉SM9/32×28 L=16	Screw SM9/32×28 L=16				1
14	101511003		螺钉SM9/32×28L=11	Screw SM9/32×28L=11				1
	13804001		针杆曲柄	Needle bar crank				1
15	10404001		针杆曲柄 (厚料)	Needle bar crank (H)				1
16	101515002		螺钉SM1/4×40 L=6	Screw SM1/4×40 L=6				2
17	14303008		上轴前轴承套	Bearing bush				1
18	10108001		上轴挡圈	Main shaft thrust collar				1
19	101514001		螺钉SM1/4×40 L=6	Screw SM1/4×40 L=6				2
20	14403001		上轴中轴套	Main shaft bushing mid				1
21	101515006		螺钉SM15/64×28 L=7	Screw SM15/64×28 L=7				1
22	H03002		挡圈20	Snap ring 20				1
	400811		送料偏心轮 (厚)	Feed eccentric cam (H)				1
	400092		送料偏心轮	Feed eccentric cam				2
24	10112017		送料偏心轮盖板	Cover plate				1
	10812002		送料偏心轮盖板 (厚料)	Cover plate (H)				1
25	101511013		螺钉SM1/4×40 L=13	Screw SM1/4×40 L=13				2
26	113511003		螺钉SM9/64×40 L=5	Screw SM9/64×40 L=5				2
27	14422009		上轴后油封	Oil seal				1
28	14403008		上轴轴承套	Bearing bush				1
29	B06023		GB/T276-2013 轴承61904-2RS	Needle bearing				1
30	S10018		螺钉M6×0.75 L=6	Screw M6×0.75 L=6				2
31	H03001		GB/T894.1-1986挡圈15	Snap ring 15				1
32	14302002		上轴	Main shaft				1
33	11443000800		一体机电控罩壳组件(A6F+)	Electronic control box(A6F+)				1
34	S10009		螺钉M6 L=8	Screw M6 L=8				2
35	113835001		手轮	Hand wheel				1
36	12922015		橡皮塞	Rubber plug				1
37	13826009		罩壳台阶销	Pin				1
38	1441103000		一体机电控罩壳组件	Electronic control box				1
	11443000800		一体机电控罩壳组件(+)	Electronic control box (+)				1
39	W01009		GB/T97.1-1985垫圈 5	Washer 5				2
40	114513001		螺钉M5 L=20	Screw M5 L=20				3
41	114530001		螺钉M5 L=25	Screw M5 L=25				1
42	14133002		一体机电控组件	Electronic control box				1
	11463000500		一体机电控组件(+)	Electronic control box (+)				1
43	144530001		电控后侧盖螺钉	Screw				1
44	951515011		螺钉组合件M3 L=12	Screw asm M3 L=12				5
45	113830001		光电伺服电机	Servo motor				1
46	95100172		电机罩壳组件	Encoder housing assembly				1
47	95100116		电机光栅组件	Motor grating sensor asm				1
48	95100182		电机转子总成	Motor rotor				1
49	95100171		电机定子总成	Motor stator,qixing				1
50	13811060		绝缘防护罩	Insulating shield				1
51	10122012		上轴孔塞	Rubber plug				1
52	1443800100		挑线组件	Thread take-up lever asm				1
53	B10046		深沟球轴承	Needle bearing				1
54	S10018		螺钉M6×0.75 L=6	Screw M6×0.75 L=6				2
55	14408001		针杆曲柄挡圈	Needle bar crank snap ring				1
56	S10026		螺钉M3 L=3	Screw M3 L=3				2
57	114430009		二维码标签纸 (A6F+)	Label paper (A6F+)				1
58	195244003		U型线夹 (A6F+)	U clip (A6F+)				1
59	114130006		无线通信模块(A6F+)	RF wireless data communication module (A6F+)				1
60	11463000500		一体机电控组件(A6F+)	Electronic control box (A6F+)				1
62	S05901		螺钉M5 L=50	Screw M5 L=50				3
63	W02058		弹垫d5	Washer d5				3



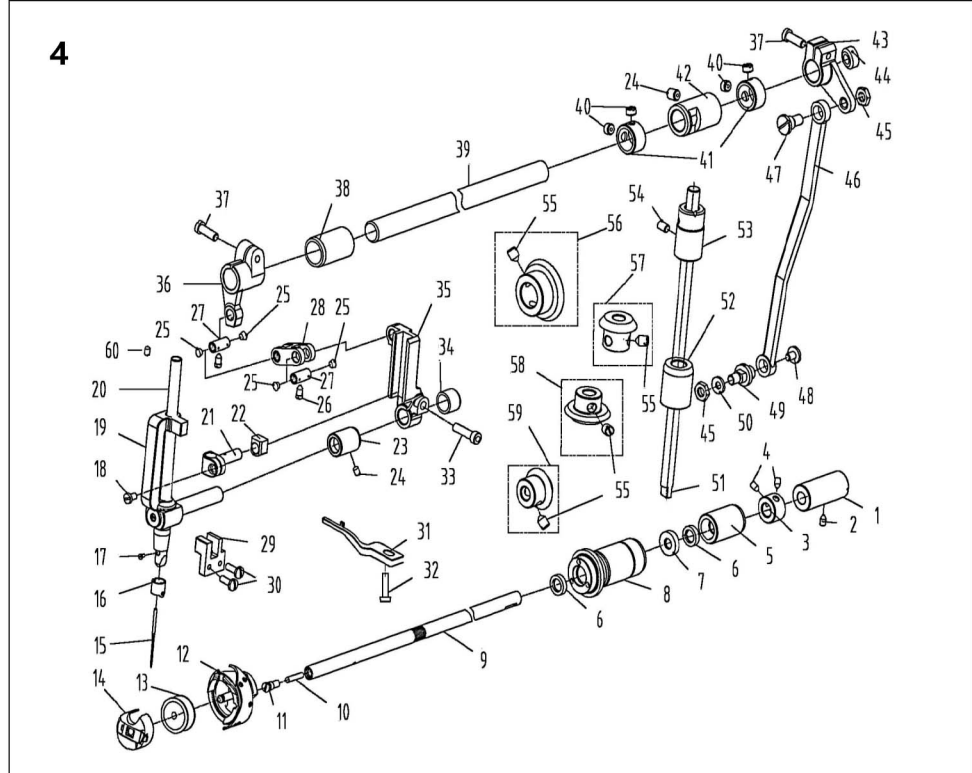
## 3. 绕线部件/ Bobbin Components (1)

序号 NO	公司件号	Part NO	名称	PartName	零件描述	Description	数量	Number
1	1413104900		绕线器组件	Bobbin winder asm				1
2	114511008		螺钉M4 L=6	Screw M4 L=6				1
3	W02863		GB/T 93弹簧垫圈4	Washer 4				1
4	W01142		GB/T 97.1平垫圈4	Washer 4				1
5	14113002		压线控制板	Pressure line control board				1
6	14112020		垫圈	Washer				1

### 3. 绕线部件/ Bobbin Components (2)

序号 NO	公司件号 Part NO	名称 PartName	零件描述 Description	数量 Number
7	13812110	调节板	Regulating plate	1
8	13827013	满线复位簧	Reset spring	1
9	1411000300	绕线凸轮组件	Winding cam asm.	1
10	11329020	开口挡圈5	Ring 5	2
11	1141NS10001	螺钉SM9/64×40 L=11	Screw SM9/64×40 L=11	1
12	W02865	GB/T 93弹簧垫圈3	Washer 3	1
13	14111004	绕线轮	Winding wheel	1
14	O01110	O型圈25x7	O ring 25x7	1
15	S04090	螺钉M2 L=4	Screw M2 L=4	1
16	14119003	割线刀	Secant cutter	1
17	113831003	绕线衬垫	Winding gasket	1
18	113831002	绕线器装置主座	The main seat	1
19	10127061	复位板拉簧	Drag spring	2
20	14127060	弹簧	Spring	1
21	14102003	绕线器主轴	principal axis	1
22	1410510600	绕线器连杆组件	Bobbin connecting rod asm	1
23	14111006	止动轮	Driven wheel	1
24	N07008	螺母SM9/64"×40	Nut SM9/64"×40	1
25	S09103	螺钉M4 L=4	Screw M4 L=4	2
26	11422062	密封垫	Washer	1
27	114511003	螺钉SM3/16"×28 L=10	Screw SM3/16"×28 L=10	3
28	S10009	螺钉M6 L=8	Screw M6 L=8	2
29	11435013	绕线器驱动轮	Driving wheel	1
30	1411300600	底线夹线器	Bobbin thread tension asm.	1
31	141S16019	小夹线器螺母	Thread tension nut	1
32	11427006	小夹线弹簧	Spring	1
33	14112015	夹线板	Thread tension disk	2
34	11413022	夹线过线板	Thread tension guide plate	1
35	112S13004	夹线螺钉	Screw	1
36	114516001	螺母SM11/64"×40	Nut SM11/64"×40	1
37	1383103900	绕线器组件 (HL)	Bobbin winder asm (HL)	1

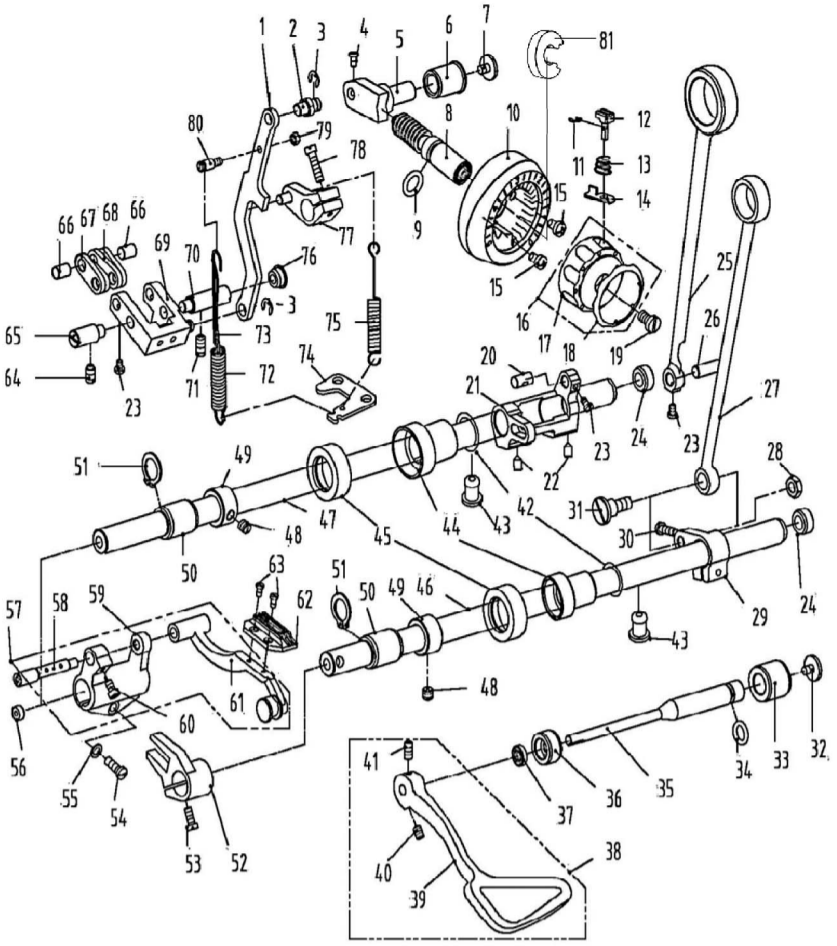




#### 4. 针杆、竖轴、下轴部件/Needle bar & Upright Shaft & Hook Driving Shaft Components

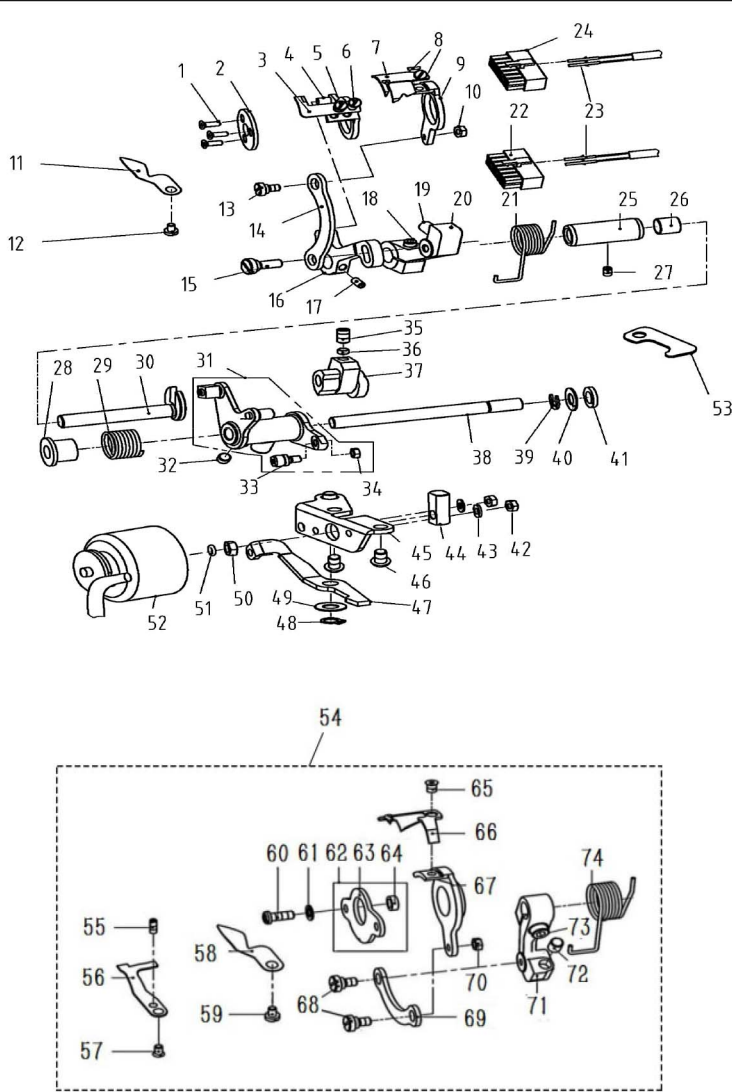
序号 NO	公司件号 Part NO	名称 PartName	零件描述 Description	数量 Number
1	10403019	下轴后轴套	Hook driving shaft bushing back	1
2	113514020	螺钉SM11/64*×40 L=6	Screw SM11/64*×40 L=6	1
3	114514001	螺钉SM11/64*×40 L=4 (HL)	Screw SM11/64*×40 L=4 (HL)	1
4	10108002	下轴挡圈	Hook driving shaft snap ring	1
5	101511012	螺钉SM11/64*×40 L=4.8	Screw SM11/64*×40 L=4.8	2
6	14003004	下轴中套	Lower shaft middle bushing	1
7	11522001	油封组件12	Oil seal 12	2
8	114122004	油封组件	Oil seal	1
9	14103004	下轴前轴套组件	Lower shaft before bushing asm	1
10	14402003	下轴	Hook driving shaft	1
11	13823001	下轴限油芯	Oil wick	1
12	101530005	螺钉SM3/16×32	Set screw SM3/16×32	1
13	11418003	薄料旋梭	Hook asm	1
14	11418004	广濶薄料旋梭(厚料)	Hook asm (H)	1
15	13618005	旋梭组件(HL)	Hook asm (HL)	1
16	113818002	广濶薄料旋梭(1.3倍)(-P)	Hook asm (-P)	1
17	10118003	梭芯	Bobbin	1
18	10818501	梭芯(HL)	Bobbin (HL)	1
19	13818002	梭芯(1.3倍)(-P)	Bobbin (-P)	1
20	11218504	梭壳	Bobbin case asm	1
21	13618004	梭壳(HL)	Bobbin case asm (HL)	1
22	13818003	梭壳(1.3倍)(-P)	Bobbin case asm (-P)	1
23	13817001	机针DBx1#14	Needle DBx1#14	1
24	10117002	机针DPx5#21(厚料)	Needle DPx5#21 (H)	1
25	10113002	针杆线勾	Needle bar thread guide	1
26	11412063	针杆线勾(厚料)	Needle bar thread guide (H)	1
27	104511006	螺钉SM1/8*×44 L=4.5	Screw SM1/8*×44 L=4.5	1
28	101511005	螺钉SM9/64*×40 L=6	Screw SM9/64*×40 L=6	1
29	1440100100	针杆支架组件	Needle bar support asm	1
30	14402012	针杆(DLC)	Needle bar	1
31	14402014	针杆(DLC)(厚料)	Needle bar (H)	1
32	14438002	针杆连接柱(DLC)	Needle bar connecting rod	1
33	114409004	针杆连接柱滑块	Slide block	1
34	14403006	针杆支架轴套	Needle bar stand collar	1
35	138508006	螺钉SM3/16*×28 L=7	Screw SM3/16*×28 L=7	2
36	13111002	塞子	Plug	4
37	131501004	螺钉SM9/64*×40 L=6	Screw SM9/64*×40 L=6	2
38	14426007	驱动连杆销	Driving connecting rod pin	2
39	14405002	驱动连杆	Driving connecting rod	1
40	14409004	针杆支架导轨	Needle bar guide	1
41	101511010	螺钉SM9/64*×40 L=11	Screw SM9/64*×40 L=11	2
42	10112016	旋梭定位钩	Finger postioner	1
43	10112032	旋梭定位钩(厚料)	Finger postioner (H)	1
44	116511005	螺钉SM11/64*×40 L=13	Screw SM11/64*×40 L=13	1
45	144513001	螺钉SM3/16*×28 L=20	Screw SM3/16*×28 L=20	1
46	131807001	滚针轴承	Needle bearing	1
47	14409003	滑块导轨	Sliding block guide rail	1
48	14404001	针送前驱动曲柄	Sent front drive the crank pin	1
49	101511016	螺钉SM3/16*×28 L=14	Screw SM3/16*×28 L=14	2
50	14403004	针摆动轴前套	Before the needle swing axle sleeve	1
51	14402009	针杆摆动轴	Needle bar swing axle	1
52	135515004	螺钉SM1/4*×40 L=4	Screw SM1/4*×40 L=4	4
53	13108002	挡圈	Ring	2
54	14403005	针摆动轴后套	After the needle swing axle sleeve	1
55	14404002	针送后驱动曲柄	After driving the crank	1
56	10122006	送料调节器孔塞	Rubber plug	1
57	131N01002	螺母SM15/64*×28	Nut SM15/64*×28	2
58	14405001	针送连杆	Needle connecting rod	1
59	144520005	针送后驱动曲柄轴位螺钉	After needle to drive the crank shaft screw	1
60	144501001	螺钉SM11/64*×40 L=6	Screw SM11/64*×40 L=6	1
61	144520006	针送下驱动曲柄调节螺柱	Driving crank adjustment screw	1
62	40128013	垫圈6.2×13×1	Washer 6.2×13×1	1
63	10102007	竖轴	Upright shaft	1
64	113803004	竖轴下轴套	Upright shaft bushing lower	1
65	10403020	竖轴上轴套	Upright shaft bushing upper	1
66	113511036	螺钉SM5/64*×28 L=4.7	Screw SM5/64*×28 L=4.7	1
67	101515014	螺钉SM1/4*×40 L=7	Screw SM1/4*×40 L=7	8
68	10425004	上轴伞齿轮	Upper shaft bevel gear	1
69	10425003	竖轴上伞齿轮	Upper small bevel gear asm	1
70	10425002	竖轴下伞齿轮	lower large bevel gear asm	1
71	10425001	下轴伞齿轮	Hook drive shaft bevel gear	1
72	10123002	针杆上毡塞(厚料)	Rubber plug (H)	1





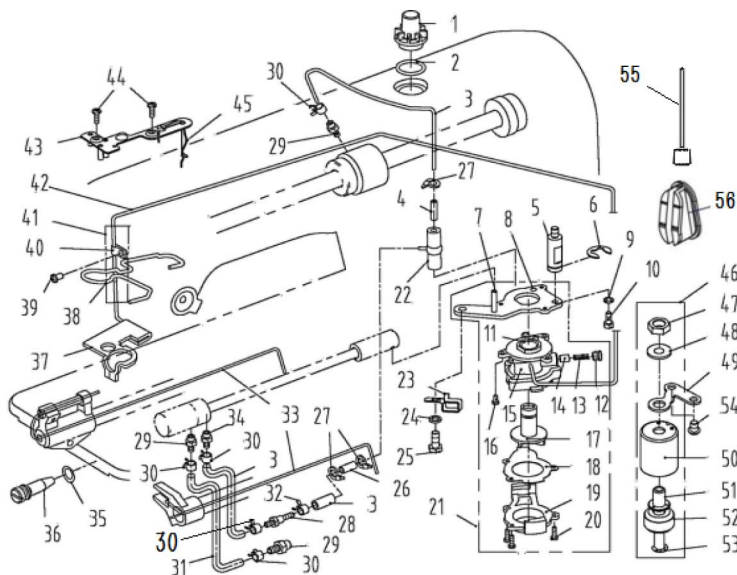
## 5. 送料部件 / Feed Mechanism Components

序号 NO	公司件号	Part NO	名称	PartName	零件描述	Description	数量	Number
1	11405015		倒送料连杆		Reverse feed connecting rod		1	
2	11326011		倒送料连杆销		Connecting rod pin		1	
3	11329020		挡圈5		Snap ring 5		2	
4	101S11005		螺钉SM9/64"x40 L=6		Screw SM9/64"x40 L=6		2	
5	11401015		送料调节器		Feed regulator		1	
6	11403043		送料调节器轴套		Feed regulator bushing		1	
7	101S11023		螺钉SM3/16"x28 L=6.5		Screw SM3/16"x28 L=6.5		1	
8	14426006		标盘螺钉		Feed regulator stud		1	
9	10122016		送料调节螺钉O形圈		Rubber ring		1	
10	14411004		固定表盘		Fixing dial plate		1	
11	H05018		GB/T896-1986挡圈3.5		Snap ring 3.5		1	
12	13811009		标盘按钮		Dial plate button		1	
13	13827002		按钮复位簧		Spring		1	
14	13812010		上限位片		Upper limit patch		1	
15	101S11004		螺钉SM3/16"x28 L=7		Screw SM3/16"x28 L=7		2	
16	1381100700		标盘旋钮组件		Dial knob asm		1	
17	13811007		标盘旋钮		Dial knob		1	
18	13811020		标盘旋钮盖板		Cover plate		1	
19	101S11022		螺钉SM3/16"x28 L=18		Screw SM3/16"x28 L=18		1	
20	10126011		送料曲柄销		Feed rocker crank pin		1	
21	14404004		针送下驱动曲柄 (一体式)		Crank		1	
22	144514001		螺钉SM9/32"x28 L=8		Screw SM9/32"x28 L=8		2	
23	101S11005		螺钉 SM9/64"x40 L=6		Screw SM9/64"x40 L=6		4	
24	114022002		橡皮塞		Rubber plug		2	
25	400083		送料连杆		Rocker shaft connecting rod		1	
26	13805002		送料连杆 (厚料)		Rocker shaft connecting rod (H)		1	
27	10126006		送料连杆销		Connecting rod pin		1	
28	400093		抬牙连杆		Connecting rod		1	
29	101S16003		螺母SM9/32"x28		Hinge Screw SM9/32"x28		1	
30	10104004		抬牙后曲柄		Feed driving shaft crank		1	
31	101S11016		螺钉SM3/16"x28 L=14		Screw SM3/16"x28 L=14		1	
32	101S20005		抬牙连杆轴位螺钉SM9/32"x28		Hinge Screw SM9/32"x28		1	
33	101S11023		螺钉SM3/16"x28 L=6.5		Screw SM3/16"x28 L=6.5		1	
34	13803021		倒送料轴后轴套		Reverse feed shaft bushing back		1	
35	13822003		倒送料轴O形圈		Rubber ring		1	
36	13802010		倒送料轴		Reverse feed shaft		1	
37	13803020		倒送料轴中套		Reverse feed shaft bushing mid		1	
38	13822056		倒送料轴中套油封		Mid bushing oil seal		1	
39	302665		倒送料扳手		Reverse feed lever asm		1	
40	13831055		倒送料扳手 (喷漆)		Reverse feed lever		1	
41	S10035		螺钉M5 L=8		Screw M5 L=8		1	
42	138510010		螺钉M5 L=8		Screw M5 L=8		1	
43	114022001		O型圈		O ring		2	
44	14022008		送料轴油孔塞		Plug		2	
45	14003002		送料轴后轴套		Axle sleeve		2	
46	1142200800		油封组件22		Oil seal		2	
47	14402007		抬牙轴		Feed driving shaft		1	
48	14402008		送料轴		Feed rocker shaft		1	
49	101S15002		螺钉SM1/4"x40 L=6		Screw SM1/4"x40 L=6		4	
50	10108003		送料轴挡圈		Feed rocker shaft snap ring		2	
51	10403015		轴套		Bushing		2	
52	H03001		GB/T894.1-1986挡圈 15		Snap ring 15		2	
53	10104003		抬牙叉形曲柄		Driving shaft crank		1	
54	1138NS30004		螺钉SM11/64"x40 L=10.5		Screw SM11/64"x40 L=10.5		1	
55	101S11016		螺钉SM3/16"x28 L=14		Screw SM3/16"x28 L=14		1	
56	10128003		牙架座螺钉垫圈		Washer		1	
57	14022003		送料轴前孔塞		Spout plug		1	
58	1440700300		牙架组件 (成品)		Feed bar asm		1	
59	10401007		牙架销		Feed bar pin		1	
60	480095		牙架座		Feed bar bed		1	
61	101S11025		螺钉SM11/64"x40 L=7		Screw SM11/64"x40 L=7		1	
62	14407003		牙架		Feed bar		1	
63	13114001		送料牙		Feed dog		1	
64	13114003		送料牙 (厚料)		Feed dog (H)		1	
65	101S11018		螺钉SM1/8"x44 L=6		Screw SM1/8"x44 L=6		2	
66	101S15010		螺钉SM15/64"x28 L=10.5		Screw SM15/64"x28 L=10.5		1	
67	10126009		送料摆动板左销		Left pin		1	
68	10126007		短送料板连杆销		Connecting pin		2	
69	13809007		送料短摆动板		Feed short shaking plate		2	
70	13809008		送料长摆动板		Feed long shaking plate		2	
71	11380100900		送料摆动板座分部件		Feed shaking plate bed components		1	
72	10126010		送料摆动板座右销		Right pin		1	
73	113514010		螺钉SM15/64"x28 L=12		Screw SM15/64"x28 L=12		1	
74	11427011		送料调节弹簧		Spring		1	
75	14427004		送料调节弹簧 (厚料)		Spring (H)		1	
76	11321005		油管		Tube		1	0.11M
77	13812081		拉簧固定板		Fixed plate		1	
78	13827006		倒送料拉簧		Spring		1	
79	14022015		右销孔塞		Spout plug		1	
80	1140402700		倒送料曲柄组件		Feed reverse crank asm		1	
81	S01102		螺钉SM3/16"x28 L=18		Screw SM3/16"x28 L=18		1	
82	114516004		螺母SM11/64"x40		Nut SM11/64"x40		1	
83	114530007		螺钉SM11/64"x40 L=7.5		Screw SM11/64"x40 L=7.5		1	
84	13822013		橡胶垫		Rubber mat		1	



## 6. 自动剪线部件/Feed Mechanism Components (1)

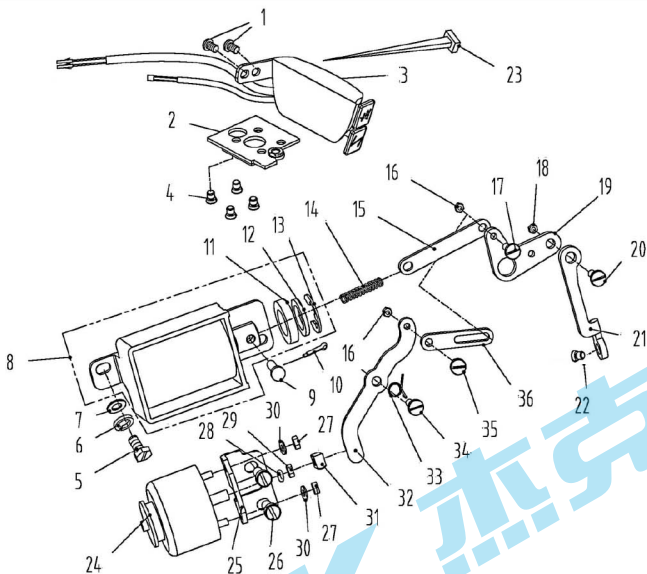
序号 NO	公司件号	Part NO	名称	PartName	零件描述	Description	数量	Number
1	114517001		螺钉M3 L=8.5	Screw M3 L=8.5	Screw M3 L=8.5		3	
2	14112005		刀架压板	Knife bracket press component	Knife bracket press component		1	
3	14119002		辅助动刀	knife	knife		1	
4	14119005		辅助动刀 (厚料)	knife (H)	knife (H)		1	
5	1440700200		剪线辅刀架组件	Knife bracket	Knife bracket		1	
6	113517002		螺钉SM11/64*x40 L=4.4	Screw SM11/64*x40 L=4.4	Screw SM11/64*x40 L=4.4		1	
7	131501002		螺钉SM11/64*40 L=4	Screw SM11/64*40 L=4	Screw SM11/64*40 L=4		1	
8	14119001		活动刀	knife	knife		1	
9	113517002		螺钉SM11/64*x40 L=4.4	Screw SM11/64*x40 L=4.4	Screw SM11/64*x40 L=4.4		2	
10	14407001		剪线主刀架	Knife bracket	Knife bracket		1	
11	114516004		螺母SM11/64*x40	Nut SM11/64*x40	Nut SM11/64*x40		1	
12	14112001		分线片	Needle guard patch	Needle guard patch		1	
13	201511009		螺钉SM9/64*x40 L=5.5	Screw SM9/64*x40 L=5.5	Screw SM9/64*x40 L=5.5		1	
14	113520001		螺钉SM11/64*40 L=6.5	Screw SM11/64*40 L=6.5	Screw SM11/64*40 L=6.5		1	
15	114112013		连杆	Connecting rod	Connecting rod		1	
16	141520002		剪线曲柄轴位螺钉	Screw	Screw		1	
17	14104003		剪线辅曲柄	Crank	Crank		1	
18	S10007		螺钉M4 L=4	Screw M4 L=4	Screw M4 L=4		1	
19	S05004		螺钉M5 L=14	Screw M5 L=14	Screw M5 L=14		1	
20	115111001		驱动曲柄止动块	Stop block	Stop block		1	
21	14104001		剪线曲柄	Crank	Crank		1	
22	11327001		弹簧	Spring	Spring		1	
23	11230004		14孔接线器	Plug	Plug		1	
24	11230005		电线插针	Pin	Pin		2	
25	14130001		10孔接线器	Plug	Plug		1	
26	14103003		剪线轴套	Thread cutting shaft bushing	Thread cutting shaft bushing		1	
27	11503005		驱动曲柄轴衬套	Crank drive shaft bushing	Crank drive shaft bushing		1	
28	113514020		螺钉SM11/64*x40 L=6	Screw SM11/64*x40 L=6	Screw SM11/64*x40 L=6		1	
29	11322002		招簧端盖	Spring cover	Spring cover		1	
30	11327002		弹簧	Spring	Spring		1	
31	14104002		剪线凸轮曲柄轴	Crank shaft	Crank shaft		1	
32	1400400100		剪线驱动组件	Thread trimmer drive asm	Thread trimmer drive asm		1	
33	101514001		螺钉SM11/4*x40 L=6	Screw SM11/4*x40 L=6	Screw SM11/4*x40 L=6		1	
34	11324001		滚柱	Rolling pin	Rolling pin		1	
35	1138NS16007		螺母SM11/64*x40	Nut SM11/64*x40	Nut SM11/64*x40		1	
36	116514005		螺钉SM11/4*x40 L=10	Screw SM11/4*x40 L=10	Screw SM11/4*x40 L=10		2	
37	11309030		凸轮顶柱	Push rod	Push rod		2	
38	11310004		剪线凸轮	Cam	Cam		1	
39	11310011		剪线凸轮 (厚料)	Cam (H)	Cam (H)		1	
40	14002004		切线驱动轴	Shaft	Shaft		1	
41	H05013		GB/T896-1986挡圈6	Snap ring 6	Snap ring 6		1	
42	10112003		针杆曲柄护板	Cunter weight protecting	Cunter weight protecting		1	
43	11322003		电磁铁缓冲片	Solenoid cushion rubber	Solenoid cushion rubber		1	
44	N01005		螺母 M4	Nut M4	Nut M4		2	
45	W02002		GB/T97.1-1985垫圈4	Washer 4	Washer 4		2	
46	11309001		切线电磁铁顶销	Solenoid pin	Solenoid pin		1	
47	1401200200		切线电磁铁支架组件	Bracket	Bracket		1	
48	S17002		螺钉M6 L=10	Screw M6 L=10	Screw M6 L=10		2	
49	14112022		切线杠杆	Tangent lever	Tangent lever		1	
50	H03015		GB/T894.1 卡簧8	Ring 8	Ring 8		1	
51	10112003		针杆曲柄护板	Needle bar crank protecting plate	Needle bar crank protecting plate		1	
52	112516006		螺母SM11/4*X40	Nut SM11/4*X40	Nut SM11/4*X40		1	
53	113822005		橡胶垫	Washer	Washer		1	
54	1403003400		剪线电磁铁组件	Thread trimmer solenoid asm.	Thread trimmer solenoid asm.		1	
55	10112022		旋梭供油管压板	Plate	Plate		1	
56	/		自动剪线部件 (-HL用)	Feed Mechanism Components (-HL)	Feed Mechanism Components (-HL)		/	
57	113515002		螺钉SM11/8*x44 L=9.5	Screw SM11/8*x44 L=9.5	Screw SM11/8*x44 L=9.5		1	
58	13119001		定刀	Secant knife	Secant knife		1	
59	113517001		螺钉SM9/64*40 L=6	Screw SM9/64*40 L=6	Screw SM9/64*40 L=6		1	
60	11312003		护针片	Needle guard patch	Needle guard patch		1	
61	201511009		螺钉SM9/64*x40 L=5.5	Screw SM9/64*x40 L=5.5	Screw SM9/64*x40 L=5.5		1	
62	113511001		螺钉SM11/64*x40 L=12	Screw SM11/64*x40 L=12	Screw SM11/64*x40 L=12		1	
63	10128003		牙架座螺钉垫圈	Washer	Washer		2	
64	14012004		刀架压板组件	Knife bracket press component	Knife bracket press component		1	
65	114412001		刀架压板	Knife bracket press	Knife bracket press		1	
66	13803012		短套	Short bushing	Short bushing		2	
67	113517002		螺钉SM11/64*x40 L=4.4	Screw SM11/64*x40 L=4.4	Screw SM11/64*x40 L=4.4		2	
68	11319002		活动刀	Motorial knife	Motorial knife		1	
69	114419001		剪线刀架	Knife bracket	Knife bracket		1	
70	113520001		螺钉SM11/64*40 L=6.5	Screw SM11/64*40 L=6.5	Screw SM11/64*40 L=6.5		2	
71	11312005		连杆	Connecting rod	Connecting rod		1	
72	114516004		螺母SM11/64*x40	Nut SM11/64*x40	Nut SM11/64*x40		1	
73	114404005		曲柄	Crank	Crank		1	
74	11322001		驱动曲柄止动块	Crank driver stopper block	Crank driver stopper block		1	
75	S05004		螺钉M5 L=14	Screw M5 L=14	Screw M5 L=14		1	
76	11327001		弹簧	Spring	Spring		1	



## 7. 润滑、油量检测部件/Oil Lubrication & Oil Measuring Components

序号NO	公司件号	Part NO	名称	PartName	零件描述	Description	数量	Number
1	11211004		油窗		Oil sight window		1	
2	10122019		油窗O形圈		Rubber ring		1	
3	14021001		油管Φ4×Φ6		Tubing Φ4×Φ6		0.6M	
4	14436001		铝油管Φ4.5×Φ6		Aluminum tubing Φ4.5×Φ6		1	
5	112530005		油泵连接螺母		Oil pump connecting stud		1	
6	11329010		开口挡圈10		Snap ring 10		1	
7	10121001		下供油管		Hook driving shaft oil tube		1	
8	10112020		油泵安装板		Oil pump installing base		1	
9	W03002		弹簧		Spring washer		1	
10	209512001		螺钉SM11/64*×40 L=10.5		Screw SM11/64*×40 L=10.5		1	
11	10103022		油泵体衬套		Oil pump bushing		1	
12	101S30007		柱塞螺钉		Plunger Screw		1	
13	10127013		柱塞簧		Plunger spring		1	
14	10122018		回油柱塞		Plunger		1	
15	10120001		油泵体		Oil pump		1	
16	S04093		螺钉TM3 L=6		Screw M3 L=6		3	
17	10111003		油泵叶轮		Oil pump impeller		1	
18	10112021		油泵叶轮托板		Oil pump impeller cover		1	
19	10111007		油泵盖		Lubricating oil pump cover		1	
20	101S30006		螺钉ST2.9 L=10		Screw ST2.9 L=10		3	
21	1012000100		油泵分部件		Lubricating oil pump component		1	
22	10136001		供油管接头		Rubber joint		1	
23	14112007		过线钩		Over wire hook		1	
24	W02004		GB/T93-1987弹簧M6		Spring Washer M6		1	
25	116530003		螺钉SM15/64*×28 L=14.5		Screw SM15/64*×28 L=14.5		1	
26	14021003		铝油管		Aluminum tubing		1	
27	113811004		尼龙扎带		Cable band		4	
28	14036004		油盅油嘴		Oil nozzle		1	
29	14036002		回油嘴		Oil nozzle		3	
30	20429001		油管卡簧6.5		Oil pipe clamp spring 6.5		4	
31	14021001		油管Φ4×Φ6		Tubing Φ4×Φ6		0.15M	
32	30129007		油管卡簧6		Oil pipe clamp spring 6		1	
33	10123010		油线		Oil wick		2	
34	14036003		供油嘴		Oil nozzle		1	
35	14022011		O型圈		Rubber ring		1	
36	140S30001		油量调节螺钉		Oil volume adjusting screw		1	
37	14423001		回油毡		Oil felt felt		1	
38	14427003		回油毡夹		Asphalt felt clamp		1	
39	101S11004		螺钉SM3/16*×28 L=7		Screw SM3/16*×28 L=7		1	
40	10112023		回油管夹		Oil tube clamp		1	
41	10121007		回油管组件		Oil return tube component		1	
42	10121008		回油管		Oil return tube		1	
43	10112025		油线固定板 (厚料)		Oil line fixing plate (H)		1	
44	101S11010		螺钉SM9/64*×40 L=11 (厚料)		Screw SM9/64*×40 L=11 (H)		2	
45	10123010		油线 (厚料)		Oil wick (H)		1	
46	1443000900		油量检测装置组件		Oil measuring device		1	
47	140S16001		螺母		Nut		1	
48	14028001		弹性垫圈		Washer		1	
49	14012006		油量检测装置固定板		Pull spring fixing plate		1	
50	14011004		油量检测罩壳		Shell		1	
51	14002005		导向柱		Guide pillar		1	
52	14030002-01		浮子		Float		1	
53	H05040		开口挡圈6		Ring 6		1	
54	101S11026		螺钉SM15/64*×28 L=9		Screw SM15/64*×28 L=9		2	
55	11412200200		油标		Oil mark		1	
56	13811015		油窗		Oil window		1	



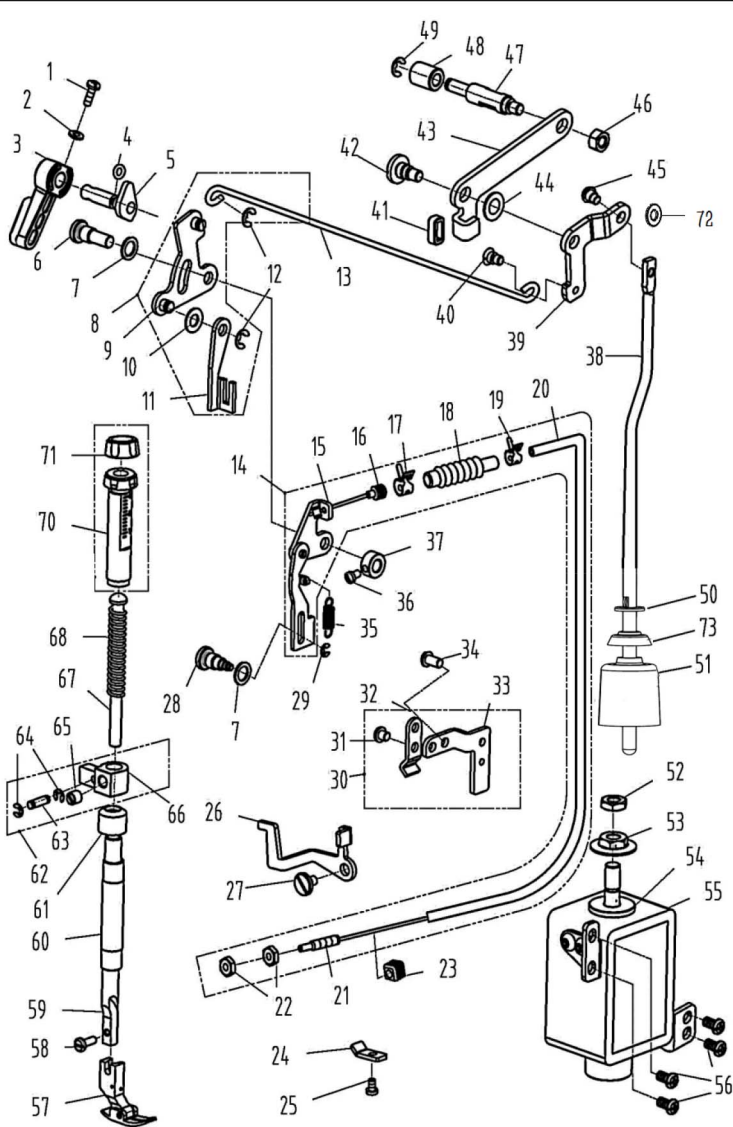


## 8. 自动倒送料/Automatic Reverse Feed Components (1)

序号 NO	公司件号	Part NO	名称	PartName	零件描述	Description	数量	Number
1	101S11004		螺钉SM3/16"×28 L=7		Screw SM3/16"×28 L=7		2	
2	1443000700		LED灯组件		LED Light asm		1	
3	1443000400		双开关组件		Double switch components		1	
4	131S02001		螺钉3/16"×28 L=6.5		Screw 3/16"×28 L=6.5		4	
5	116S30003		螺钉SM15/64"×28 L=14.5		Screw SM15/64"×28 L=14.5		2	
6	W02004		GB/T93-1987弹垫M6		Spring washer M6		2	
7	11628005		拾牙叉固定螺钉垫圈		Washer		2	
8	1443001000		自动倒送料电磁铁		Auto reverse feed solenoid		1	
	11443001400		自动倒送料电磁铁(PL)		Auto reverse feed solenoid (PL)		1	
9	11326005		销子		Pin		1	
10	113829001		R形弹性开口销φ1.5		Cotter pin		1	
11	11322040		橡胶垫片		Rubber plunger		1	
12	11328031		垫片		Washer		1	
13	H05014		GB/T896-1986开口挡圈12		Snap ring 12		1	
14	11227006		自动倒送料连杆顶弹簧		Plunger spring		1	
15	13812034		自动倒送料连杆		Auto reverse feed connecting rod		1	
16	141S16014		螺母SM11/64"×40		Nut SM11/64"×40		2	
17	141S20004		开槽圆柱头轴位螺钉SM11/64"×40		Screw SM11/64"×40		1	
18	112S16007		螺母SM1/4"×28		Nut SM1/4"×28		1	
19	14104005		自动倒送料曲柄		Auto reverse feed crank		1	
20	112S20001		开槽圆柱头轴位螺钉SM1/4"×28		Screw SM1/4"×28		1	
21	114112024		自动倒送料拉杆		Auto reverse feed pull shaft		1	
22	1138NS12001		螺钉SM9/64"×40		Screw SM9/64"×40		1	
23	113811004		尼龙扎带		Cable band		9	
24	1443000800		短线头电磁铁组件		Thread trimmer solenoid asm.		1	
25	14112002		短线头电磁铁支架		Bracket		1	
26	101S11026		螺钉SM15/64"×28 L=9		Screw SM15/64"×28 L=9		2	
27	N01005		螺母 M4		Nut M4		2	

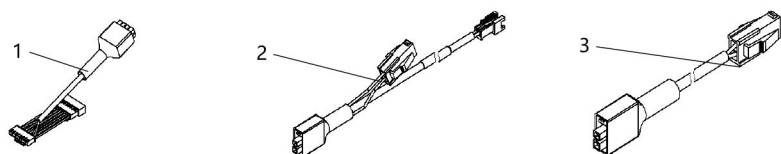
## 8. 自动倒送料/Automatic Reverse Feed Components (1)

序号 NO	公司件号 Part NO	名称 PartName	零件描述 Description	数量 Number
28	113822005	橡胶垫	Washer	1
29	112516006	螺母SM1/4"X40	Nut SM1/4"X40	1
30	W02002	GB/T97.1-1985垫圈4	Washer 4	2
31	14126001	短线头电磁铁顶销	Pin	1
32	14105001	短线头连杆	Rod	1
33	14127001	复位扭簧	Lower sensor	1
34	141S20001	倒送料连杆轴位螺钉SM11/64"x40	Screw SM11/64"x40	1
	1144NS20001	短线头连杆轴位螺钉SM11/64 "x40 (HL)	Screw SM11/64"x40 (HL)	1
35	141S20003	轴位螺钉SM11/64"x40	Screw SM11/64"X40	1
36	14105002	辅助连杆	Rod	1



## 9. 压料、自动抬压脚部件 /Presser Bar &amp; Auto Lifter Components

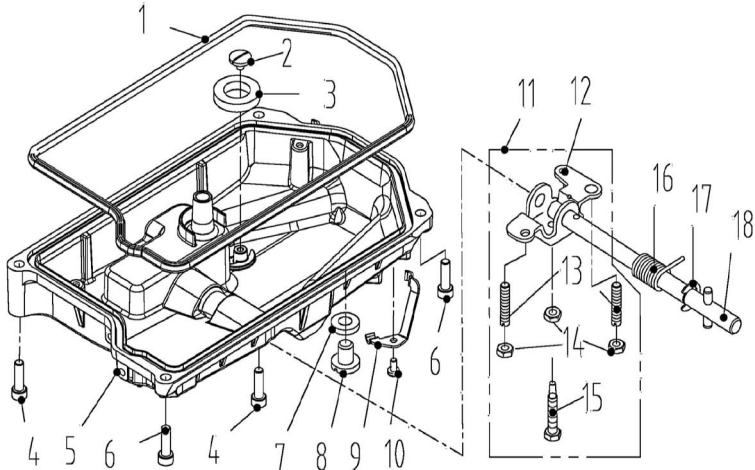
序号 NO	公司件号	Part NO	名称	PartName	零件描述	Description	数量	Number
1	101S11010		螺钉SM9/64"x40 L=11		Screw SM9/64"x40 L=11		1	
2	10128002		压脚扳手螺钉垫圈		Washer		1	
3	13811029		压脚扳手		Hand lifter		1	
4	O01004		O型圈		Rubber ring		1	
5	1441000200		压脚扳手凸轮分部件		Hand lifter cam asm		1	
6	131S20001		前杠杆螺钉		Screw		1	
7	10128016		螺钉橡胶垫圈		Washer		2	
8	1441200300		前杠杆组件		Front lever assembly		1	
9	1441200400		抬压脚前杠杆分部件		Lift front lever component		1	
10	14428002		垫圈6.5x13x0.8		Washer 6.5x13x0.8		1	
11	14412005		压脚升降板		Lifting plate		1	
12	H05003		GB/T896-1986 挡圈 5		Snap ring 5		2	
13	14412006		拉杆		Pull rod		1	
14	1441200700		松线顶板组件		Pine line roof asm.		1	
15	1441201800		拉线板组件		Loose line roof asm.		1	
16	14036006		密封接头		Seal joint		1	
17	14029002		卡簧 Φ8		Circlip Φ8		1	
18	14022006		松线管密封套		Loose pipe sealing sleeve		1	
19	14029001		卡簧 Φ6		Circlip Φ6		1	
20	1442201000		拉线套组件		Pull sleeve assembly		1	
21	140530006		拉线接头螺钉M5		Screw M5		1	
22	113512001		螺母M5		Nut M5		2	
23	14022007		松线导管密封塞		Sealing plug		1	
24	14012005		松线导管下压板		Wire presser		1	
25	113511004		螺钉M4 L=8		Screw M4 L=8		1	
26	14412009		松线杠杆		Loose lever		1	
27	131S20003		松线杠杆轴位螺钉D=6.35		Loose lever screw D=6.35		1	
28	144S20002		松线顶板螺钉		Wire release plate pin		1	
29	H05002		GB/T896-1986挡圈3		Snap ring 3		1	
30	1441201000		松线管上支架组件		Loose wire catheter support assembly		1	
31	113511004		螺钉M4 L=8		Screw M4 L=8		1	
32	14012010		松线导管上压板		Wire release press plate		1	
33	14412010		松线导管上支架		Wire release bracket upper		1	
34	101S11001		螺钉SM3/16"x28 L=9		Screw SM3/16"x28 L=9		2	
35	14427002		松线顶板复位拉簧		Spring		1	
36	114S11015		螺钉SM9/64"x40 L=6		Screw SM9/64x40 L=6		1	
37	13108001		挡圈		Ring		1	
38	14412011		抬压脚顶杆		Presser foot lever		1	
39	14412012		膝控制抬压脚后杠杆		Knee control lever rear lever		1	
40	101S20004		抬压脚杠杆螺钉SM3/16"x32		Screw SM3/16"x32		1	
41	14422006		抬压脚后杠杆橡胶垫		Rubber pad		1	
42	144S20004		后杠杆轴位螺钉		Hinge screw		1	
43	14412015		自动抬压脚后杠杆		Knee lifter back lever		1	
44	14428001		平垫圈8.2x15x1		Flat washer 8.2x15x1		1	
45	137S20001		抬压脚顶杆轴位螺钉		Axial screw		1	
46	N01012		螺母M6		Nut M6		1	
47	14402006		自动抬压脚顶柱		Knee lifter connecting rod		1	
48	14411001		塑料滚轮		Whell		1	
49	11329020		挡圈5		Snap ring 5		1	
50	12928008		平垫圈5.6x9.7x0.8		Wwasher 5.6x9.7x0.8		1	
51	14022017		抬压脚顶杆密封帽		Seal cap		1	
52	114426001		电磁铁接头		Connector		1	
53	113516004		法兰螺母M8		Flange nuts M8		1	
54	11322008		电磁铁上垫片		Washer		1	
55	11443000200		抬压脚电磁铁组件		Solenoid asm		1	
56	11443000700		抬压脚电磁铁组件(厚料)		Solenoid asm (H)		1	
57	101S11001		螺钉SM3/16"x28 L=9		Screw SM3/16"x28 L=9		4	
58	1311600100		活压脚组件		Presser foot asm		1	
59	1131600100		活压脚组件(厚料)		Presser foot asm (H)		1	
60	101S11009		螺钉SM9/64"x40 L=10.5		Screw SM9/64"x40 L=10.5		1	
61	11402009		压杆		Presser bar		1	
62	10103012		压杆衬套		Presser bar bushing,lower		1	
63	10122112		压杆防油套		Pressure bar oil cover		1	
64	1440900200		压杆导架组件		Strut guide asm		1	
65	14426002		压杆导架插销		Push rod guide pin		1	
66	H05002		GB/T896-1986挡圈3		Snap ring 3		2	
67	101S15007		螺钉SM1/4"x40 L=8		Screw SM1/4"x40 L=8		1	
68	14409002		压杆导架		Presser bar guide bracket		1	
69	10102003		调压导杆		Press regulating guide bar		1	
70	113827010		调压弹簧		Press regulating spring		1	
71	10127024		调压弹簧(厚料)		Press regulating spring (H)		1	
72	1138NS30003		调压螺钉SM1/2"x28		Screw SM1/2"x28		1	
73	1138NS16005		调压螺母SM1/2"x28		Nut SM1/2"x28		1	
74	114428001		平垫圈5x10x0.8		Washer 5x10x0.8		1	
75	114122001		顶帽密封盖		Side cover		1	

10  
(-PL)

## 10. 后拖轮转接线 (-PL)/Boat patch cord (-PL)

序号 NO	公司件号	Part NO	名称	PartName	零件描述	Description	数量	Number
1	114430012		编码器转接线		Coder patch cord		1	
2	114430013		自动抬压脚转接线		Solenoid asm patch cord		1	
3	114430016		自动倒送料转接线		Auto reverse feed patch cord		1	

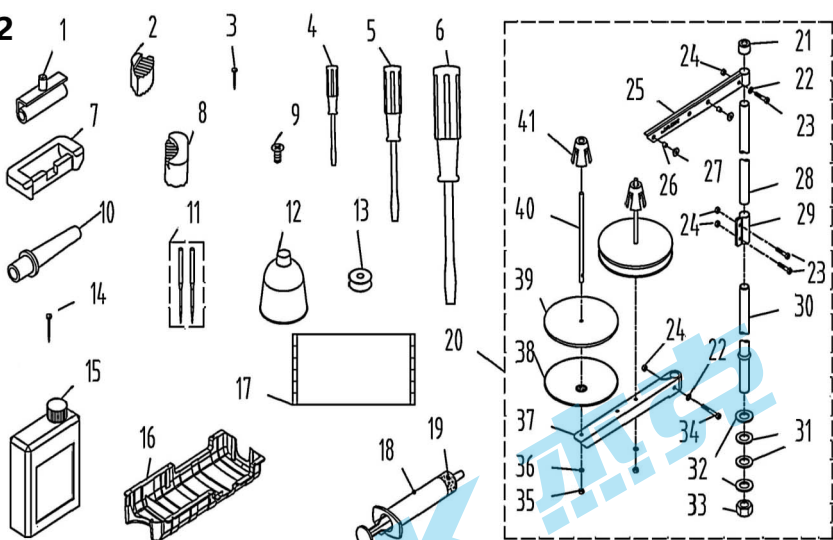




## 11. 油盘、膝抬压脚部件/Oil Ceservoir &amp; Knee Lifter Components

序号 NO	公司件号	Part NO	名称	PartName	零件描述	Description	数量	Number
1	14022001		油盘密封垫	Seal			1	
2	101511023		螺钉SM3/16*28 L=6.5	Screw SM3/16*28 L=6.5			1	
3	10131001		油盘磁铁	Oil reservoir magnet			1	
4	S05242		螺钉M6 L=40	Screw M6 L=40			2	
5	13801008		油盘	Oil reservoir			1	
6	S05240		螺钉M6 L=20	Screw M6 L=20			2	
7	20528014		垫圈	Washer			1	
8	301511015		螺钉SM3/8* L=28	Screw SM3/8* L=28			1	
9	14013023		电线压板	Wire clamp			1	
10	113511004		螺钉M4 L=8	Screw M4 L=8			1	
11	1401202700		抬压脚双向曲柄组件	Knee lifter crank asm			1	
12	10112027		抬压脚双向曲柄	Knee lifter crank			1	
13	S07020		螺钉M6 L=20	Screw M6 L=20			2	
14	101516004		螺母M6	Nut M6			3	
15	101512002		螺钉M6 L=24.5	Screw M6 L=24.5			1	
16	14027016		双向曲柄扭簧	Knee lifter spring			1	
17	H05010		GB/T896-1986挡圈9	Snap ring 9			1	
18	1400200100		抬压脚轴组件	Knee lifter shaft			1	

## 12



## 12. 机头附件/Machine Head Accessories

序号 NO	公司件号	Part NO	名称	PartName	零件描述	Description	数量	Number
1	1011203100		机头连接钩组件	Hinge component			2	
2	14022022		机头座垫	Die cushion			2	
3	101530010		机头连接钩座钉 (P19)	Nail (P19)			2	
4	10131004		螺丝刀 (小)	Screw driver (small )			1	
5	10131003		螺丝刀 (中)	Screw driver (medium)			1	
6	20731047		螺丝刀 (大)	Screw driver (large)			1	
7	10122060		机头连接钩座	Head connecting rubber cushion			2	
8	14022023		机头支架	Nose support			2	
9	101530014		螺钉M4 L=20	Screw M4 L=20			6	
10	115011003		机头支柱	Machine head rest pin			1	
11	13817001		机针DBx1#14	Needle DBx1#14			4	
11	10117002		机针DPx5#21 (厚料)	Needle DPx5#21 (H)			4	
12	20131039		漏斗	Funnel			1	
13	10118003		梭芯	Bobbin			2	
13	10818501		大梭芯 (HL)	Bobbin (HL)			2	
13	13818002		梭芯 (-P)	Bobbin (-P)			2	
14	1141NS30001		鞋钉 (P25)	Nail (P25)			4	
15	1381101200		油箱组件	Oiler component			1	
16	14411002		油盘托盘	Disk tray			1	
17	114131001		防尘罩	Dust cover			1	
18	11411029		注射器	Syringe			1	
19	11431038		进口黄油	Butter			0.003Kg	
20	1383100300		线架组件	Thread stand asm.			1	
21	20131019		线架杆顶防护橡皮	Spool rest rod rubber cap			1	
22	W01047		垫圈M5	Washer M5			2	
23	S04050		螺钉M5 L=16	Screw M5 L=16			3	
24	N01034		螺母M5	Nut M5			4	
25	13831022		上线架过线杆	Spool rest arm upper			1	
26	10113011		过线圈 (内)	Thread guide ring			2	
27	10113010		过线圈 (外)	Thread guide ring			2	
28	13831019		线架杆上节	Spool rest rod upper			1	
29	13831021		线架杆接头	Spool rest rod joint			1	
30	13831020		线架杆下节	Spool rest rod lower			1	
31	10122106		橡胶垫圈	Spool rest rod rubber ring			2	
32	W01052		垫圈M16	Washer M16			2	
33	N02008		螺母M16	Nut M16			1	
34	S04051		螺钉M5 L=31.5	Screw M5 L=31.5			1	
35	N01034		螺母M5	Nut M5			2	
36	W03002		弹簧垫圈 M5	Spring washer M5			2	
37	13831023		下线架过线杆	Spool rest arm lower			1	
38	13831024		线盘	Spool rest			2	
39	20131010		线盘垫	Spool rest cushion			2	
40	20131006		线盘钉	Spool pin			2	
41	13831025		线团防松垫	Spool retainer			2	

## 杰克缝纫机股份有限公司

杰克缝纫机  
全球销量遥遥领先

公司地址: 中国浙江省台州市椒江区三甲东海大道东段1008号  
NO.1008, DONGHAI AVENUE EAST, JIAOJIANG DISTRICT,TAIZHOU CITY, ZHEJIANG  
邮编: 318000  
国内销售部:  
电话: 0086-0576-88177788 88177789  
传真: 0086-0576-88177758  
国贸销售部:  
电话: 0086-0576-88177782 88177774  
传真: 0086-0576-88177787  
免费售后服务电话: 400-8876858  
http://www.chinajack.com  
资料如有更改, 恕不另行通知, 以实物为准。  
You will be not informed if the file has been revised.Please set sample as standard.  
日期: 2020.12



请扫描下方二维码

http://www.chinajack.com