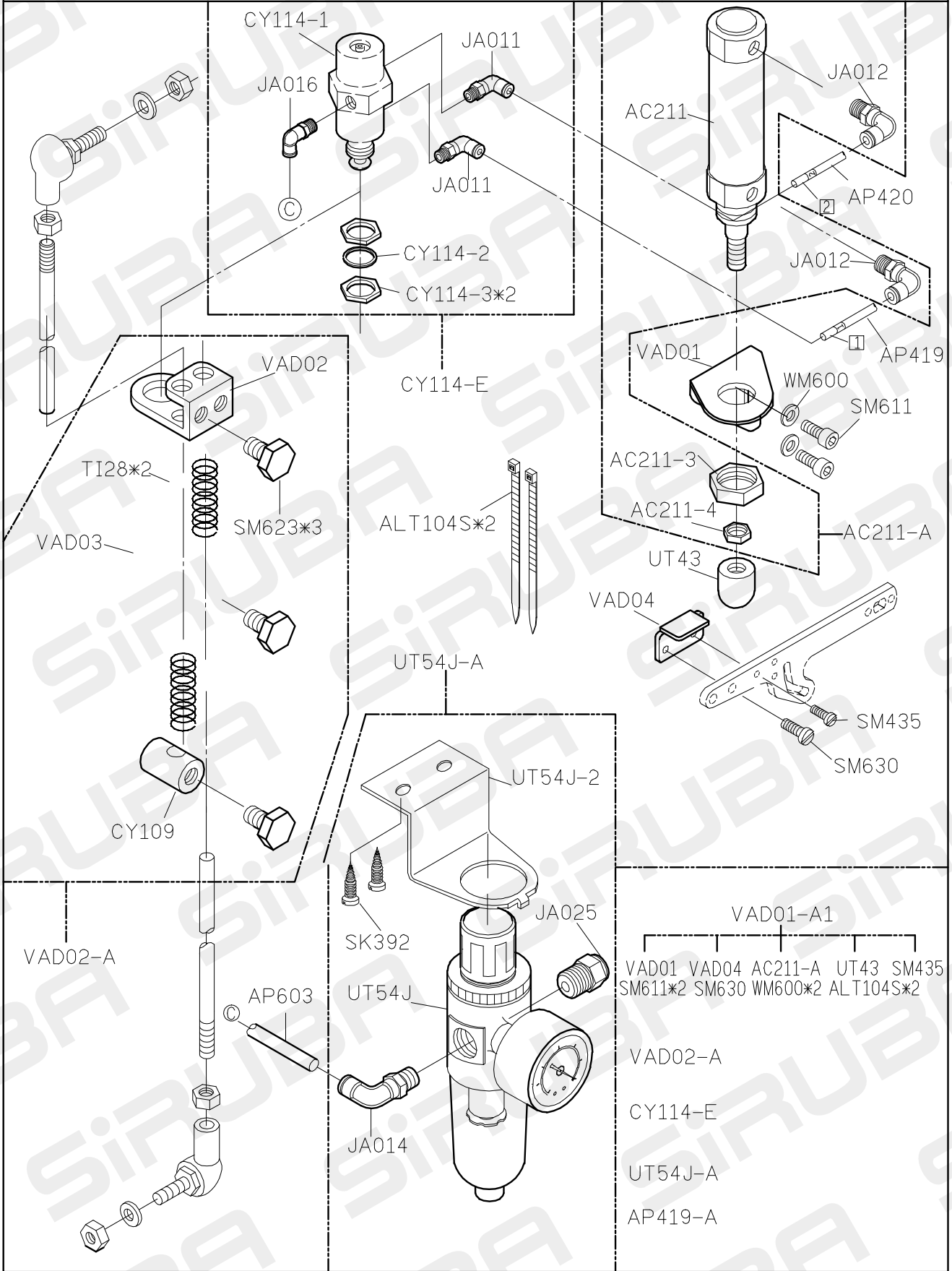


# VC008 PARTS LIST FOR VAD GROUP P.1/1



# VC008 PARTS LIST FOR VCE GROUP P.1/1

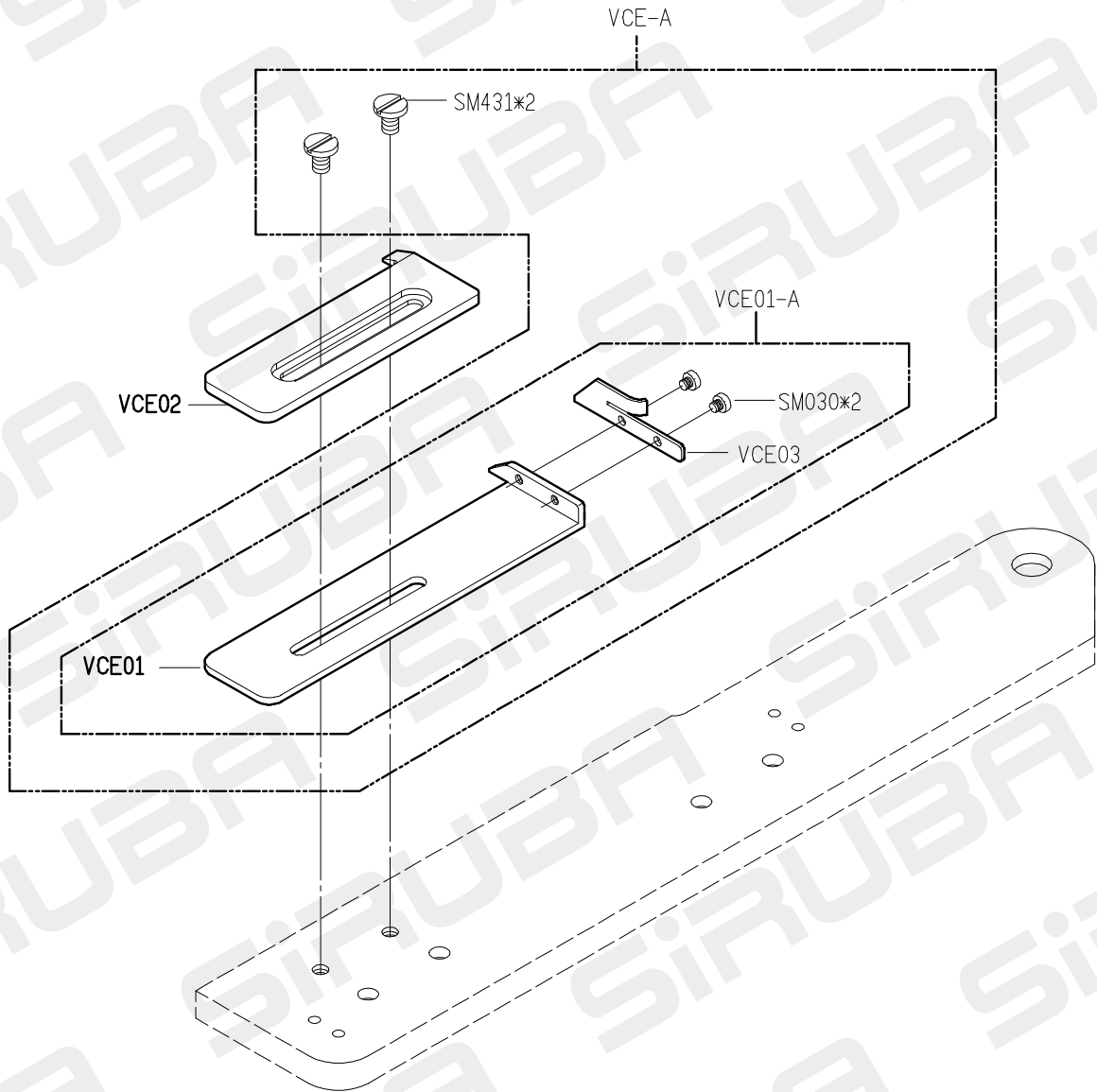
A

B

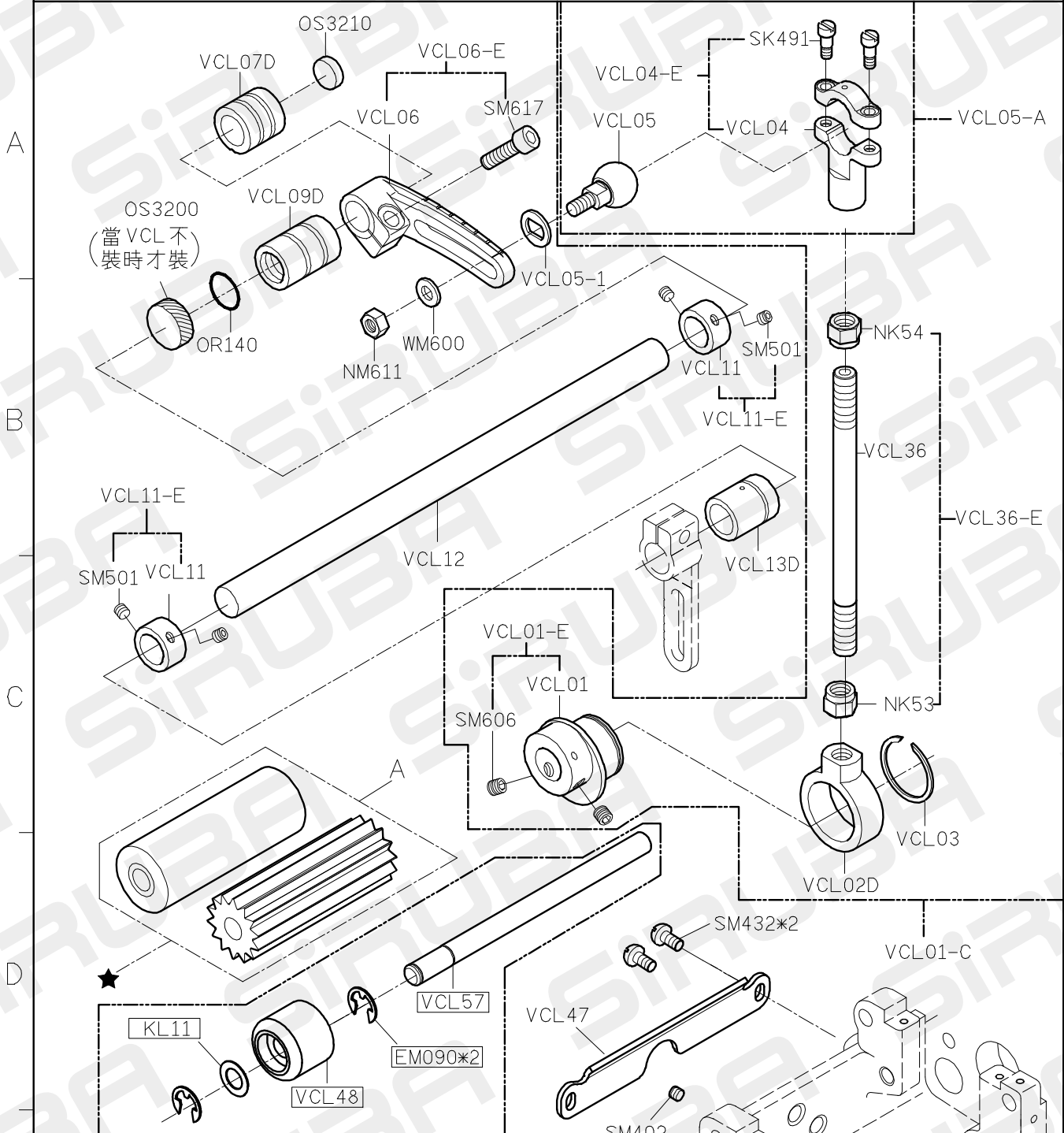
C

D

E



# VC008 PARTS LIST FOR VCL-H GROUP P.1/3



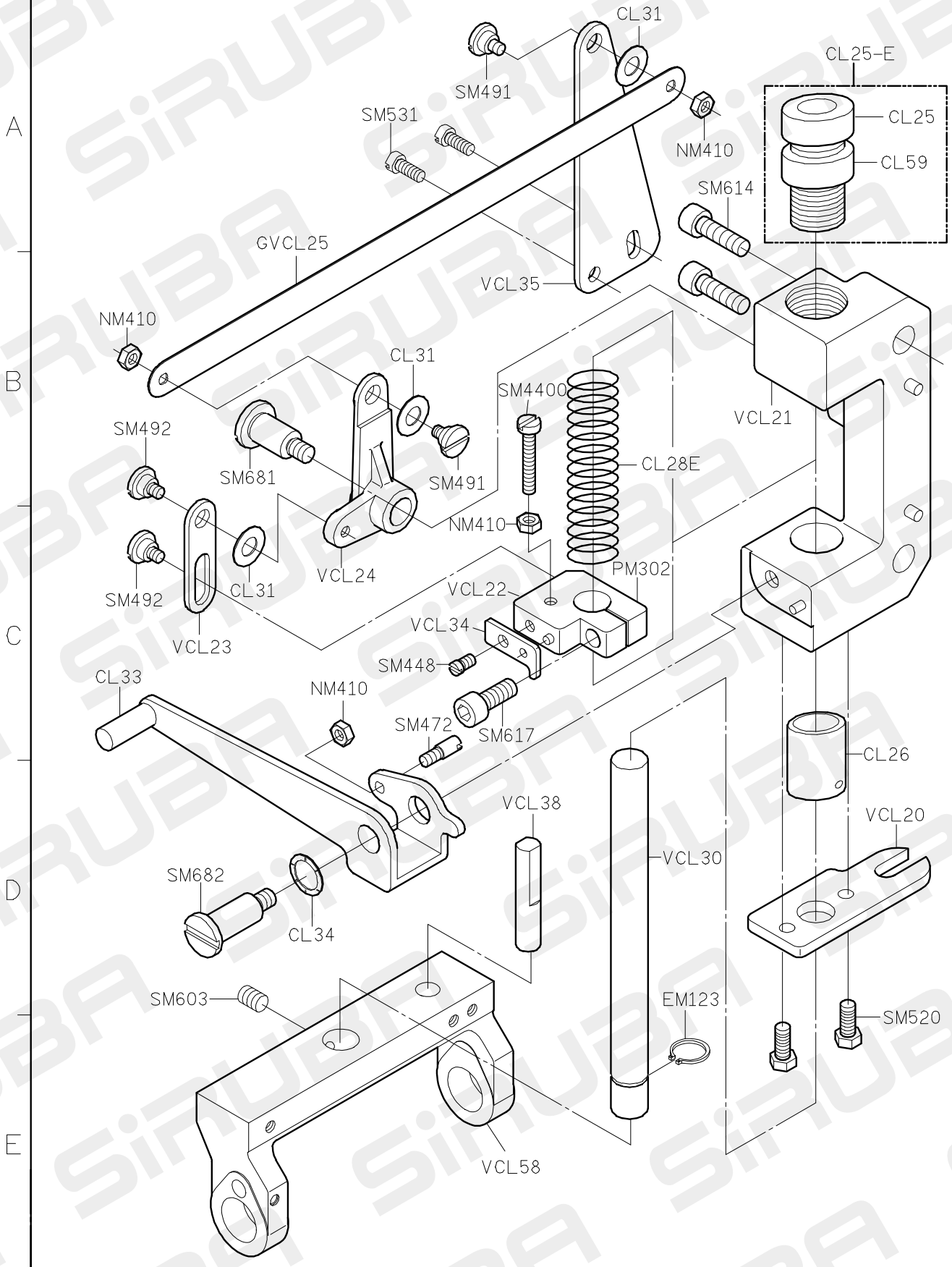
★ 輾輪使用方式

	平 輪		齒 輪		齒 輪		齒 輪	
	PU		黑色橡膠		白色POM		鐵	
長度	短輪	長輪	短輪	長輪	短輪	長輪	短輪	長輪
上滾輪	代號 VCL16	VCL16P VCL16D	VCL16Q	VCL16R	VCL08 (22T) VCL37 (27T)	VCL08P (22T) VCL37P (27T)	VCL08Q 單向齒59T	VCL08N 交叉輾紋22T
下滾輪	VCL28		VCL28R		VCL33 (14T) VCL33P (16T)		VCL33N 交叉輾紋22T	

新增代號VCL16D為VSM/VSQ車用

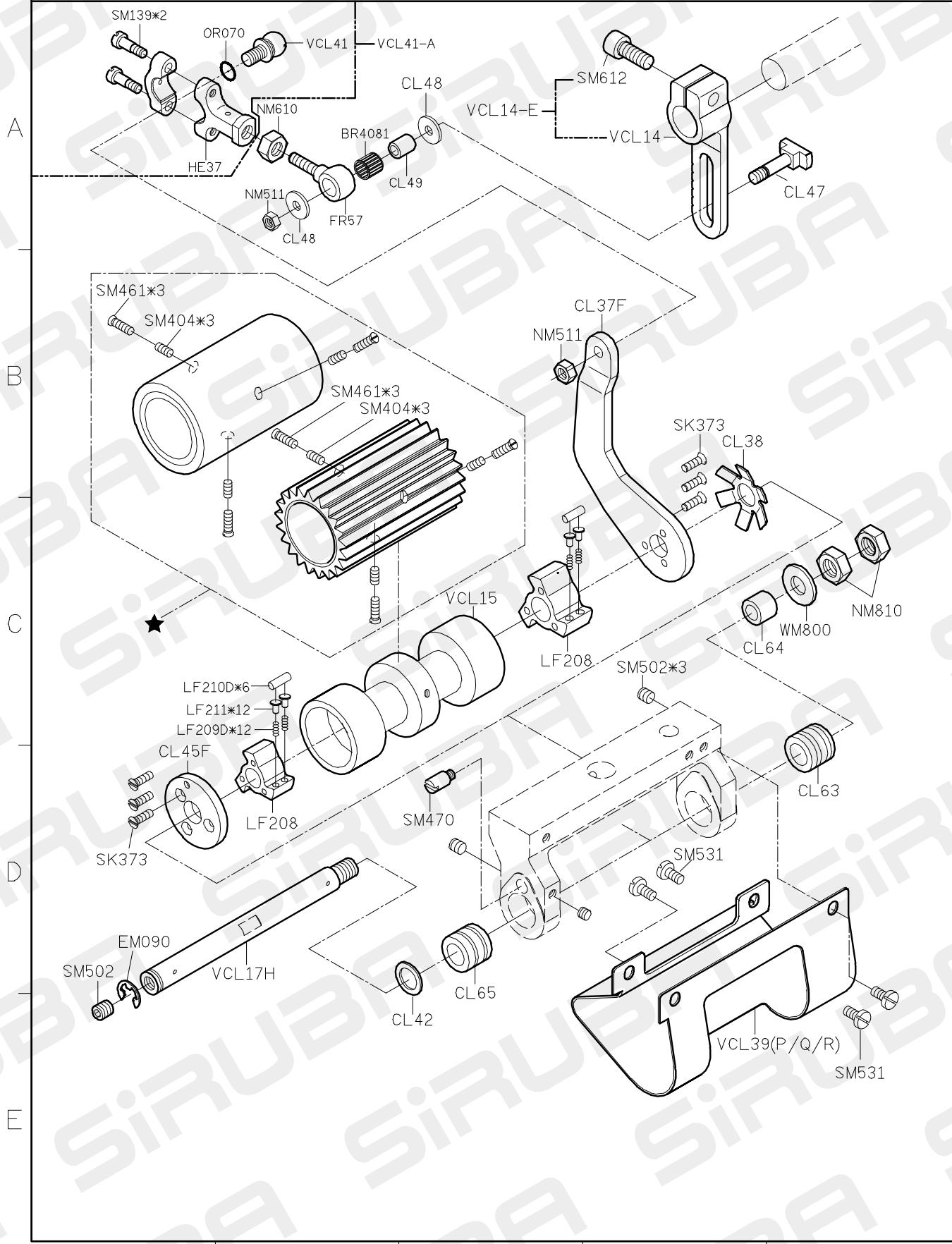
除VUT車外	VUT
VCL57	VCL27
VCL48	
KL11	
EM090*2	

# VC008 PARTS LIST FOR VCL-H GROUP P.2/3

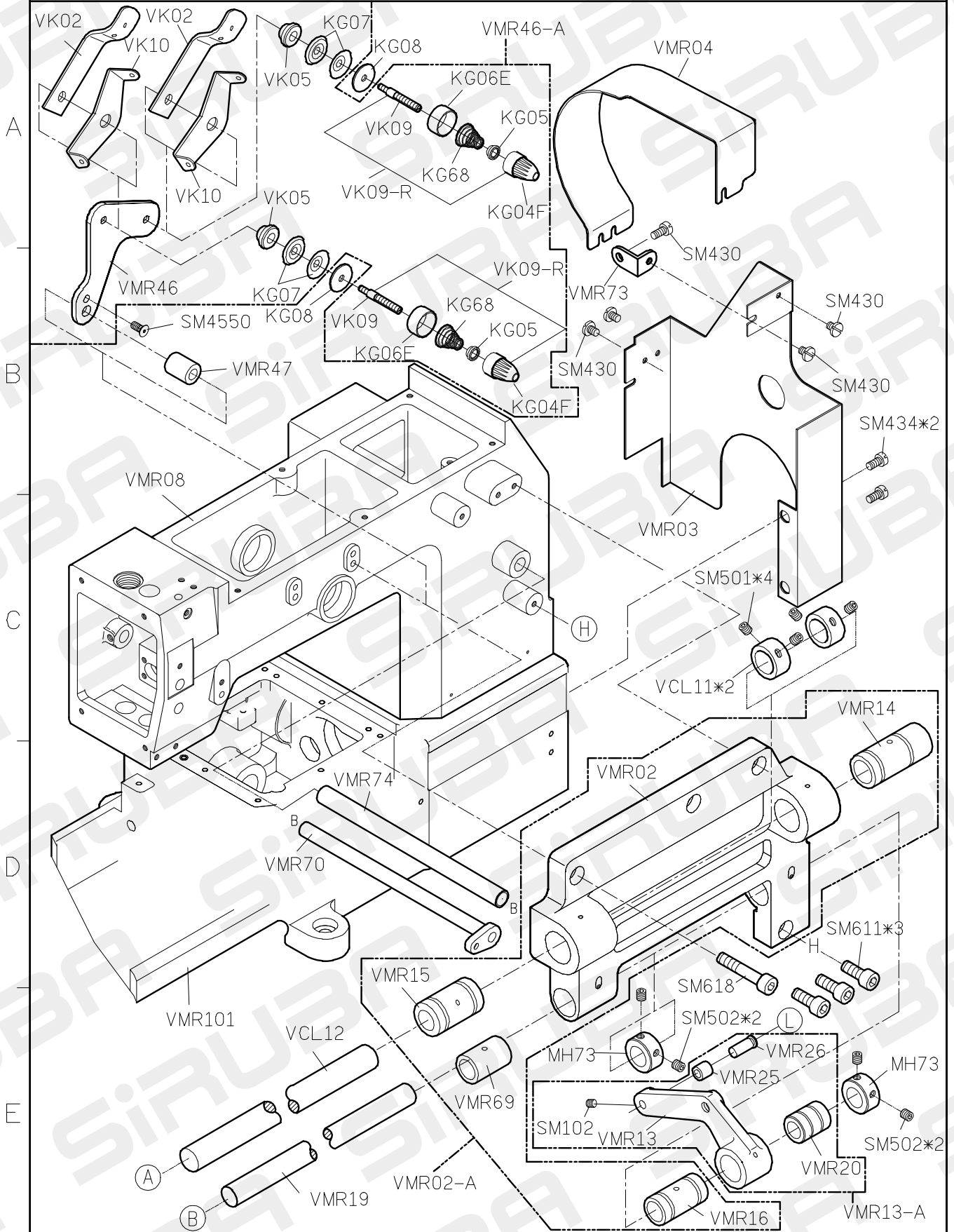




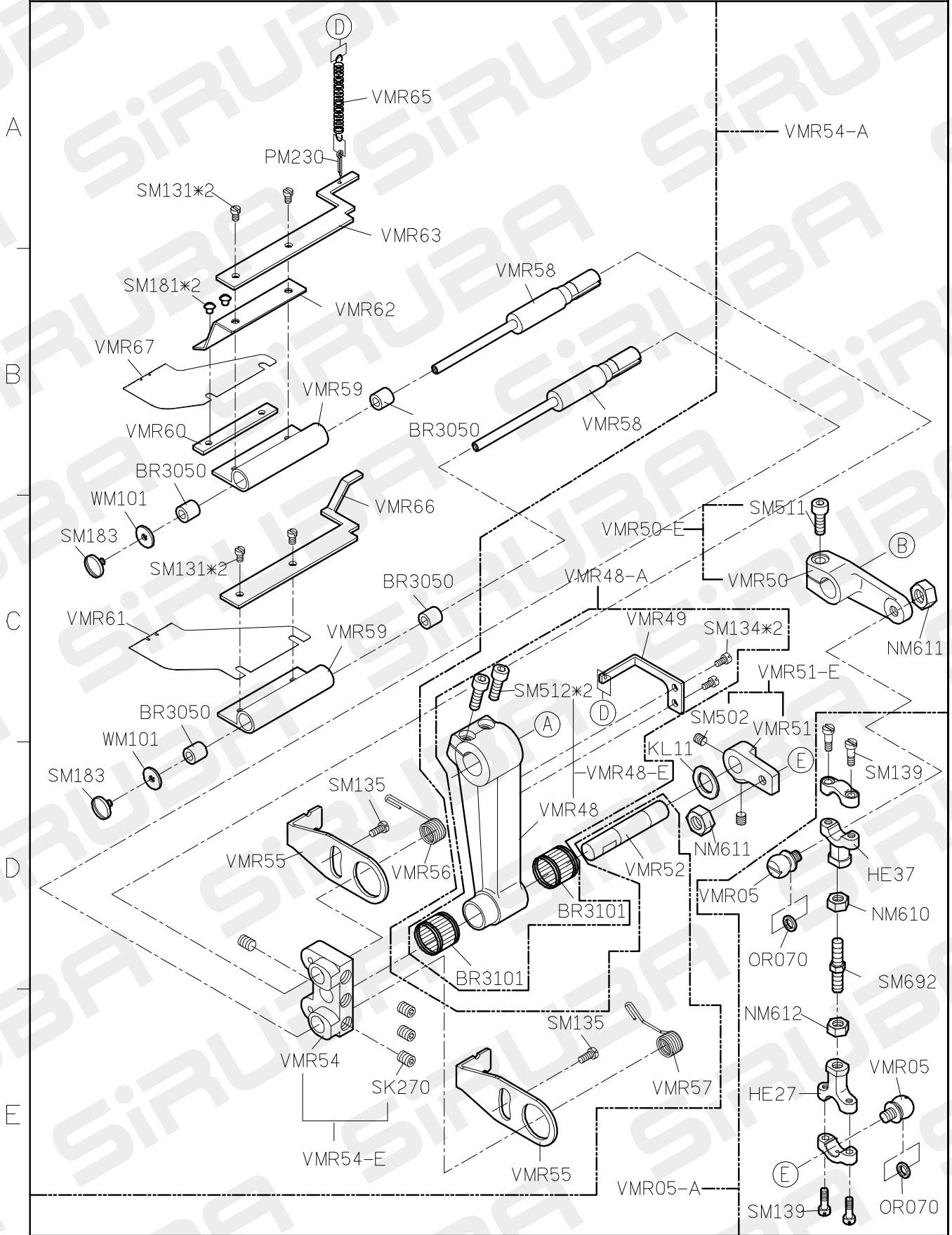
# VC008 PARTS LIST FOR VCL-H GROUP P.3/3



# VC008 PARTS LIST FOR VMR GROUP P.1/5



# VC008 PARTS LIST FOR VMR GROUP P.2/5



# VC008 PARTS LIST FOR VMR GROUP P.3/5

Ⓐ+VJ05-1=VMR27-A

VMR VJ  
系 系  
列 列  
P.3/5

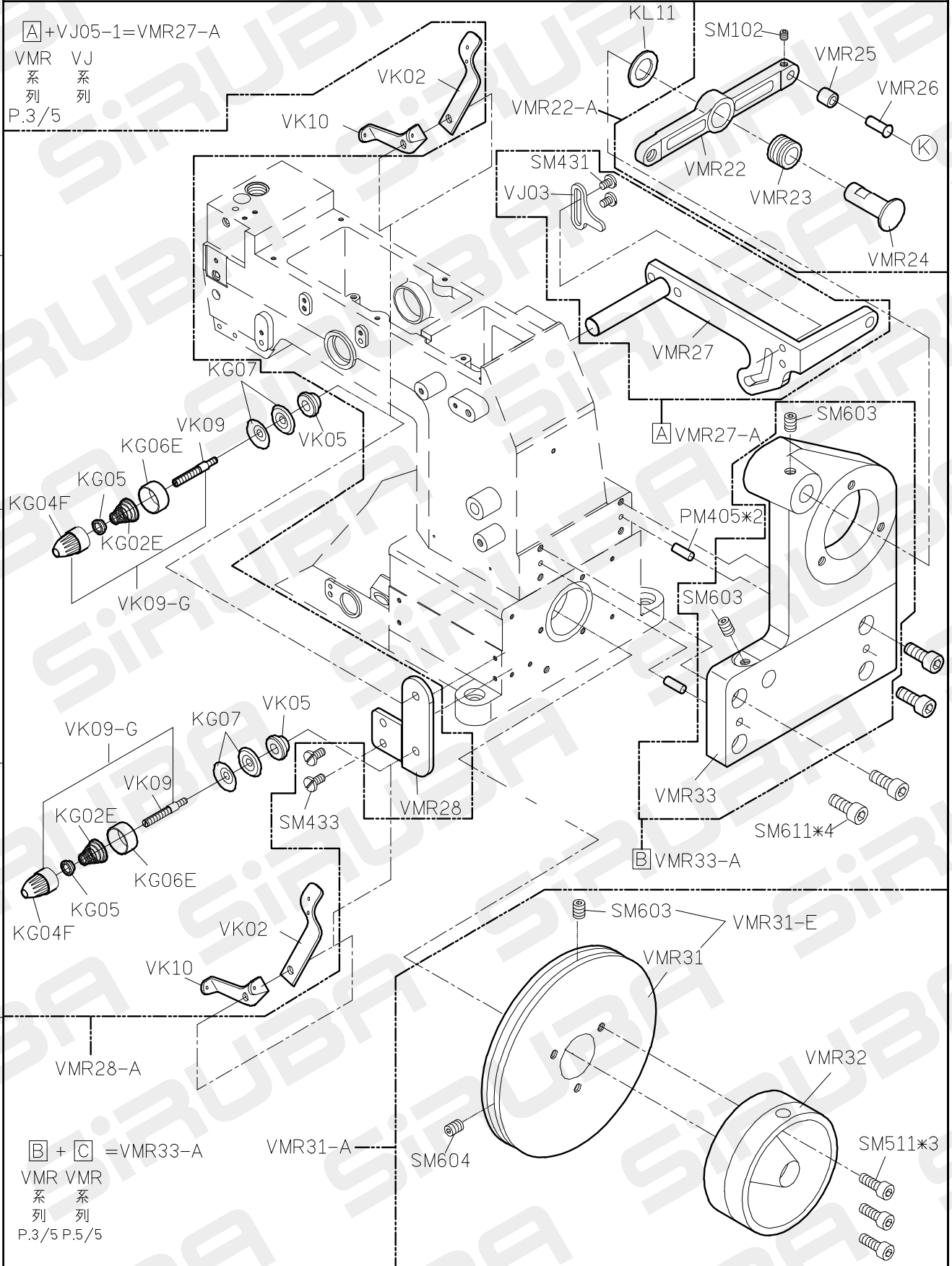
A

B

C

D

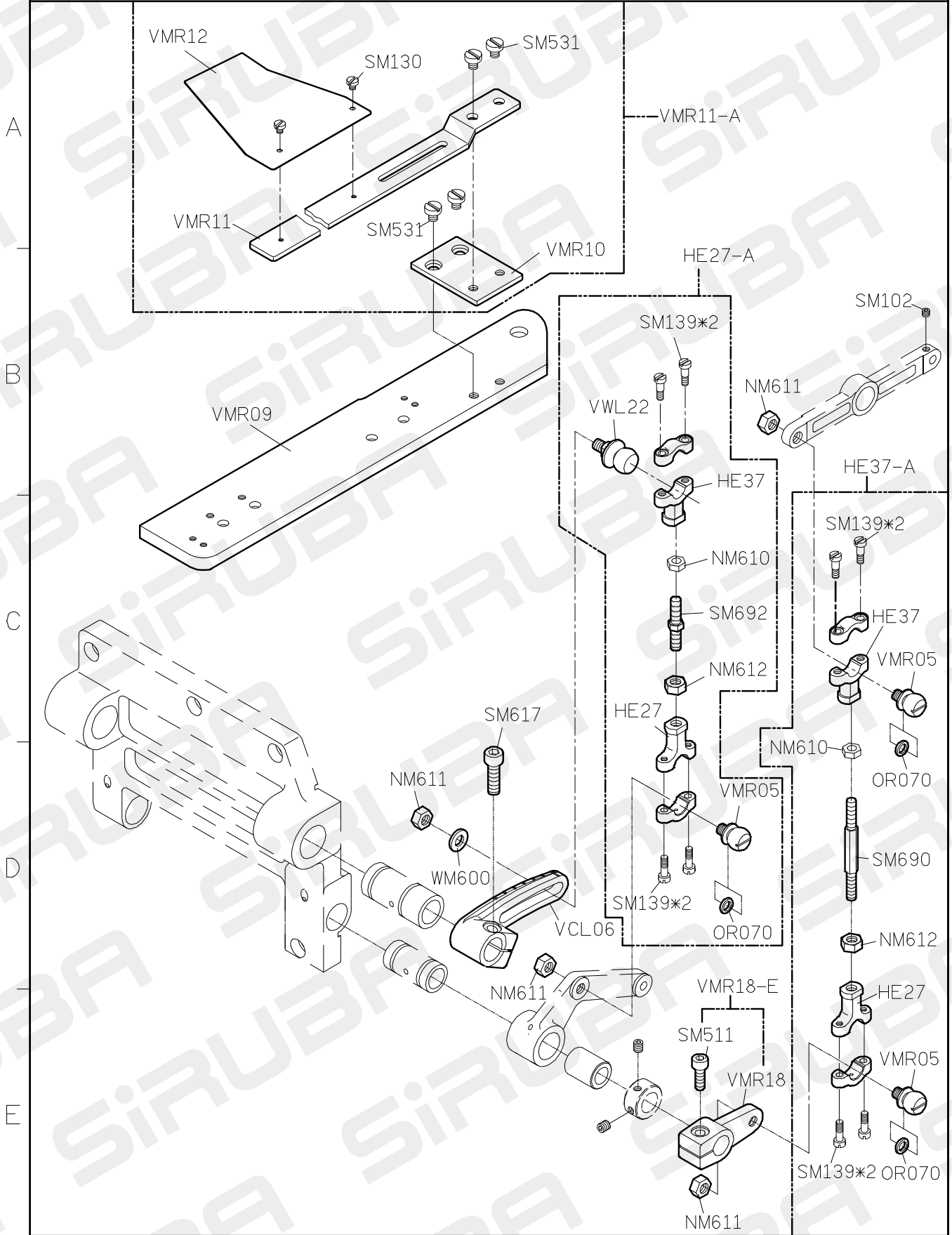
E



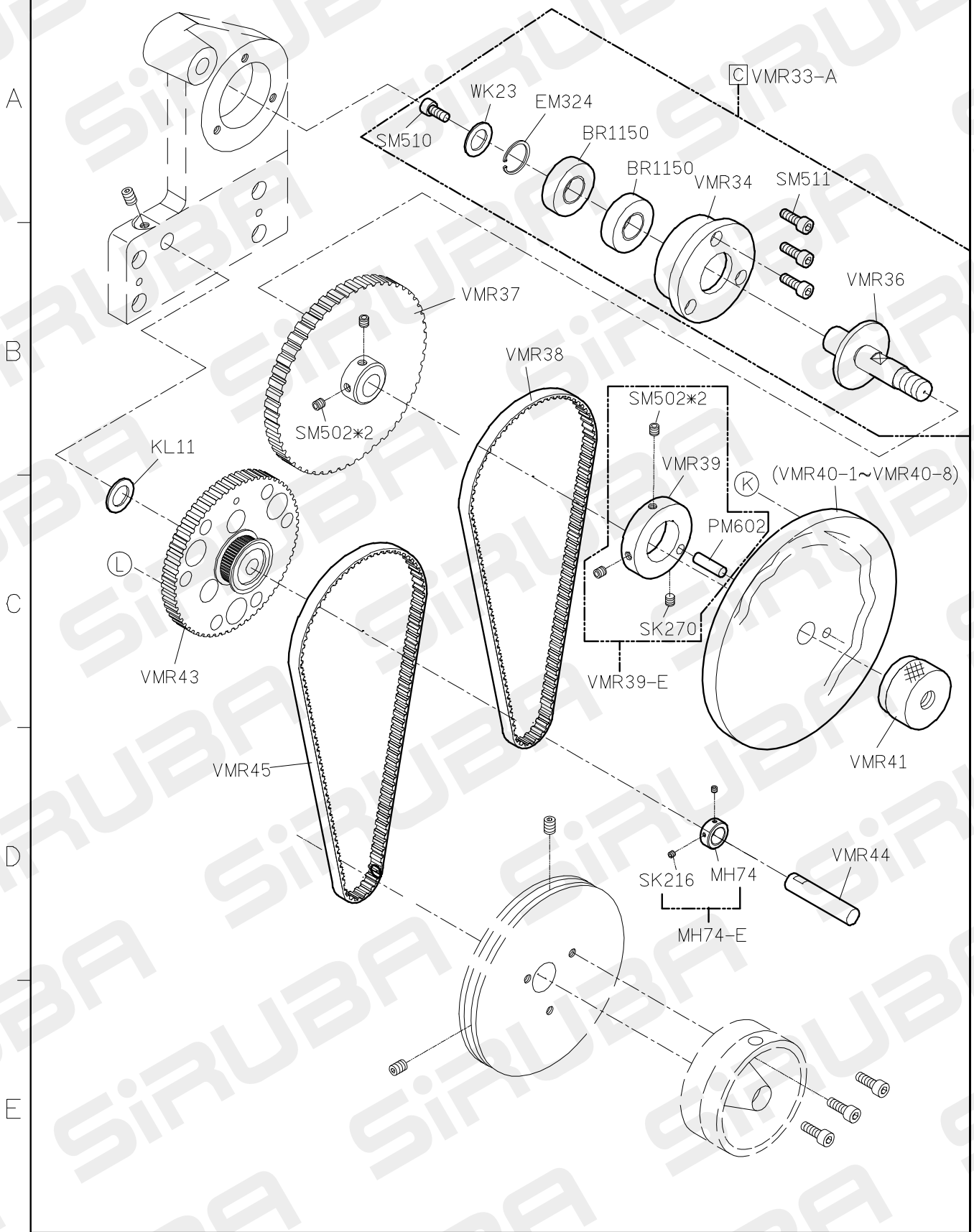
Ⓑ + Ⓒ = VMR33-A

VMR VMR  
系 系  
列 列  
P.3/5 P.5/5

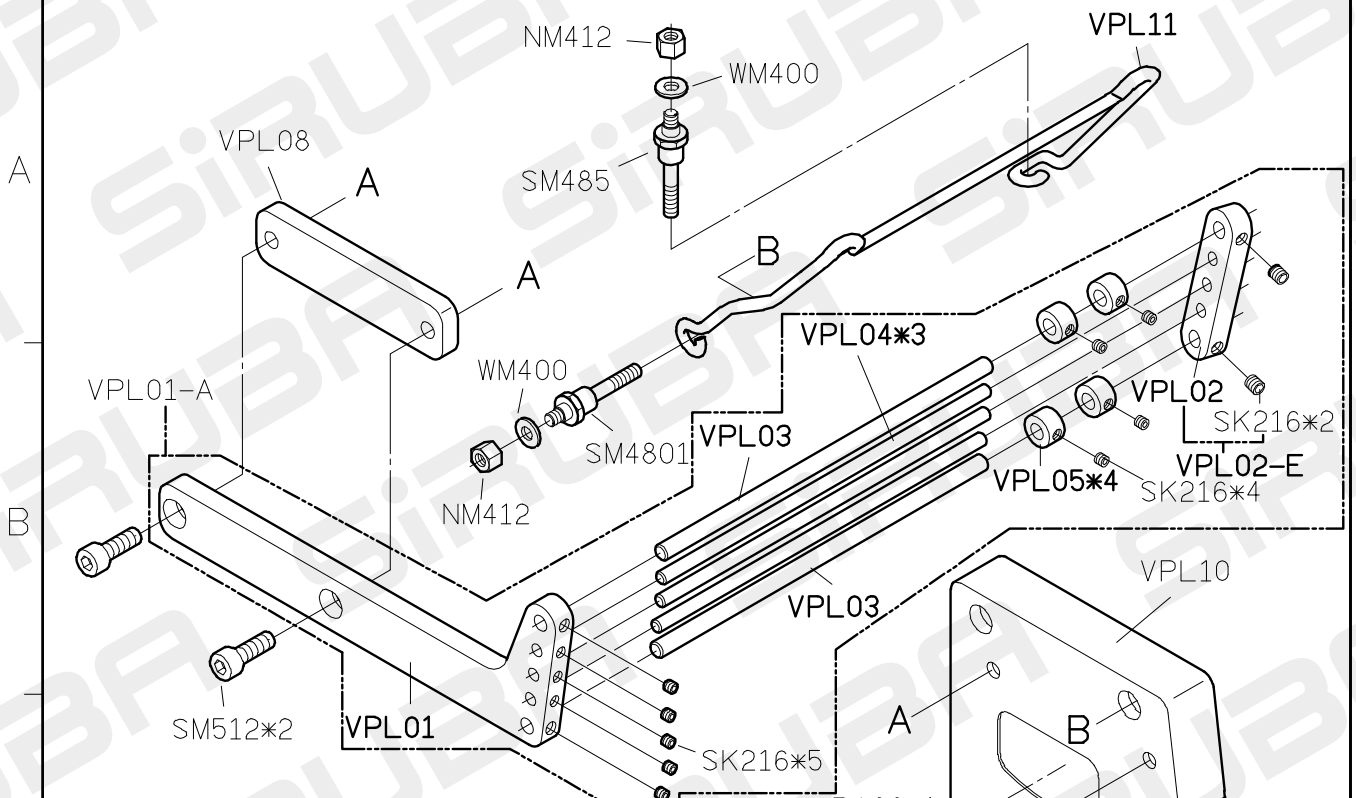
# VC008 PARTS LIST FOR VMR GROUP P.4/5



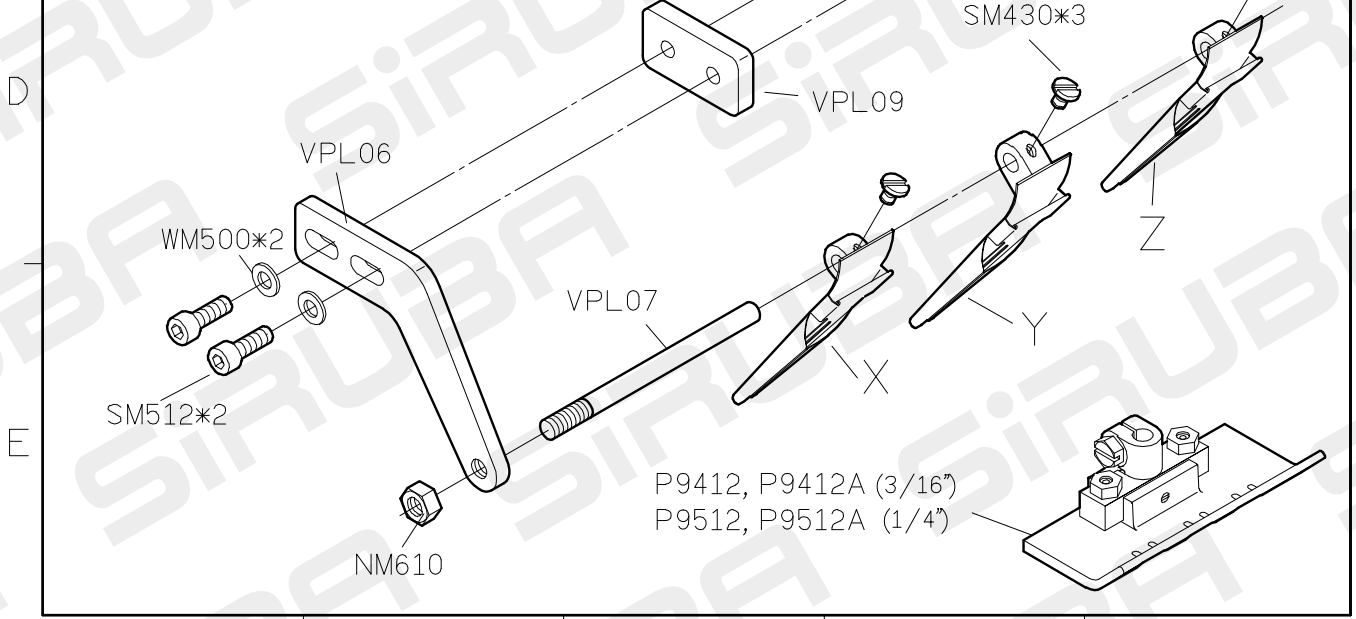
# VC008 PARTS LIST FOR VMR GROUP P.5/5



# VC008 PARTS LIST FOR VPL GROUP P.1/1



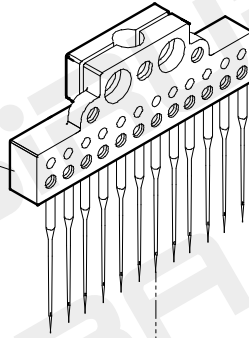
機型	完成尺寸	X	Y	Z	針寬	壓具
VC008-06048	8	B417P	B417AP	B417P	3/16"	P9412DA
	9	B417Q	B417AQ	B417Q		P9412D
VC008-06064	10	B417R	B417AR	B417R	1/4"	P9512DA
	12	B417S	B417AS	B417S		P9512D
	16	B417U	B417AU	B417U		P9512B
VC008-12064	16	B417U	B417AU	B417U	1/4"	P9712D



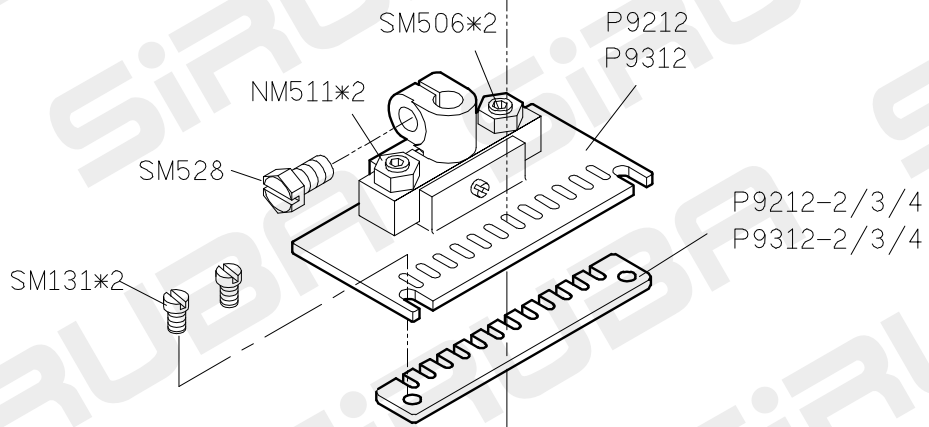
# PARTS LIST FOR VPQ GROUP P.1/2

A

M9012  
M9112

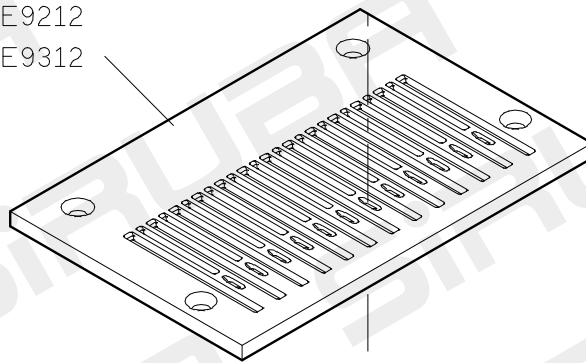


B



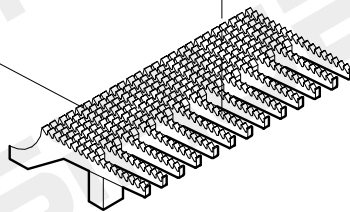
C

E9212  
E9312



D

D9212  
D9312



E



# PARTS LIST FOR VPQ GROUP P.2/2

(FOR 12-VPQ NEEDLE USE)

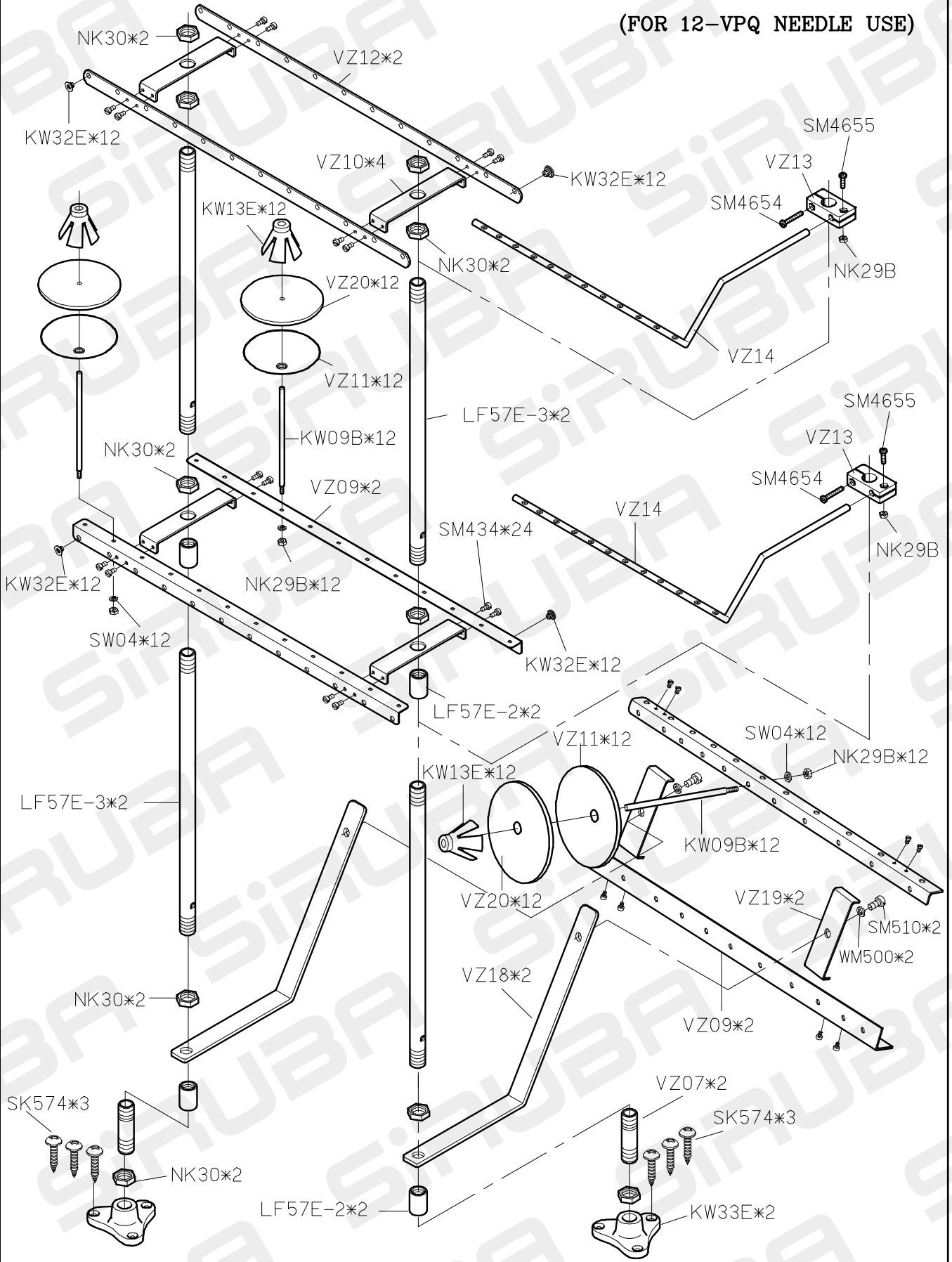
A

B

C

D

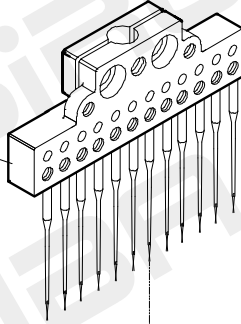
E



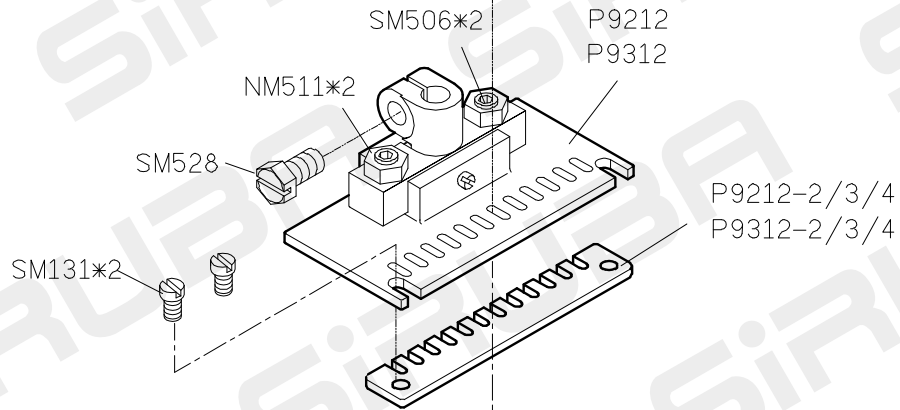
# VC008 PARTS LIST FOR VPQ-K GROUP P.1/6

A

M9012  
M9112



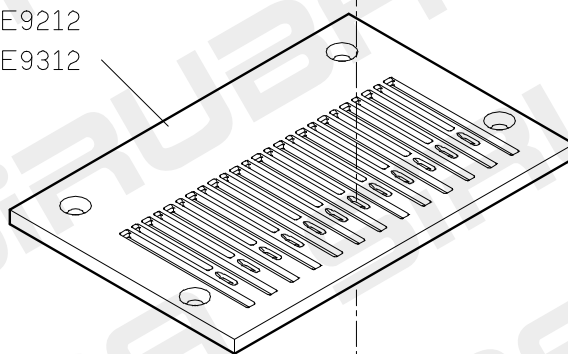
B



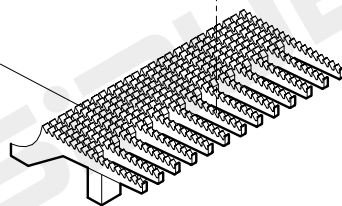
C

D

E



D9212  
D9312



# VC008 PARTS LIST FOR VPQ-K GROUP P.2/6

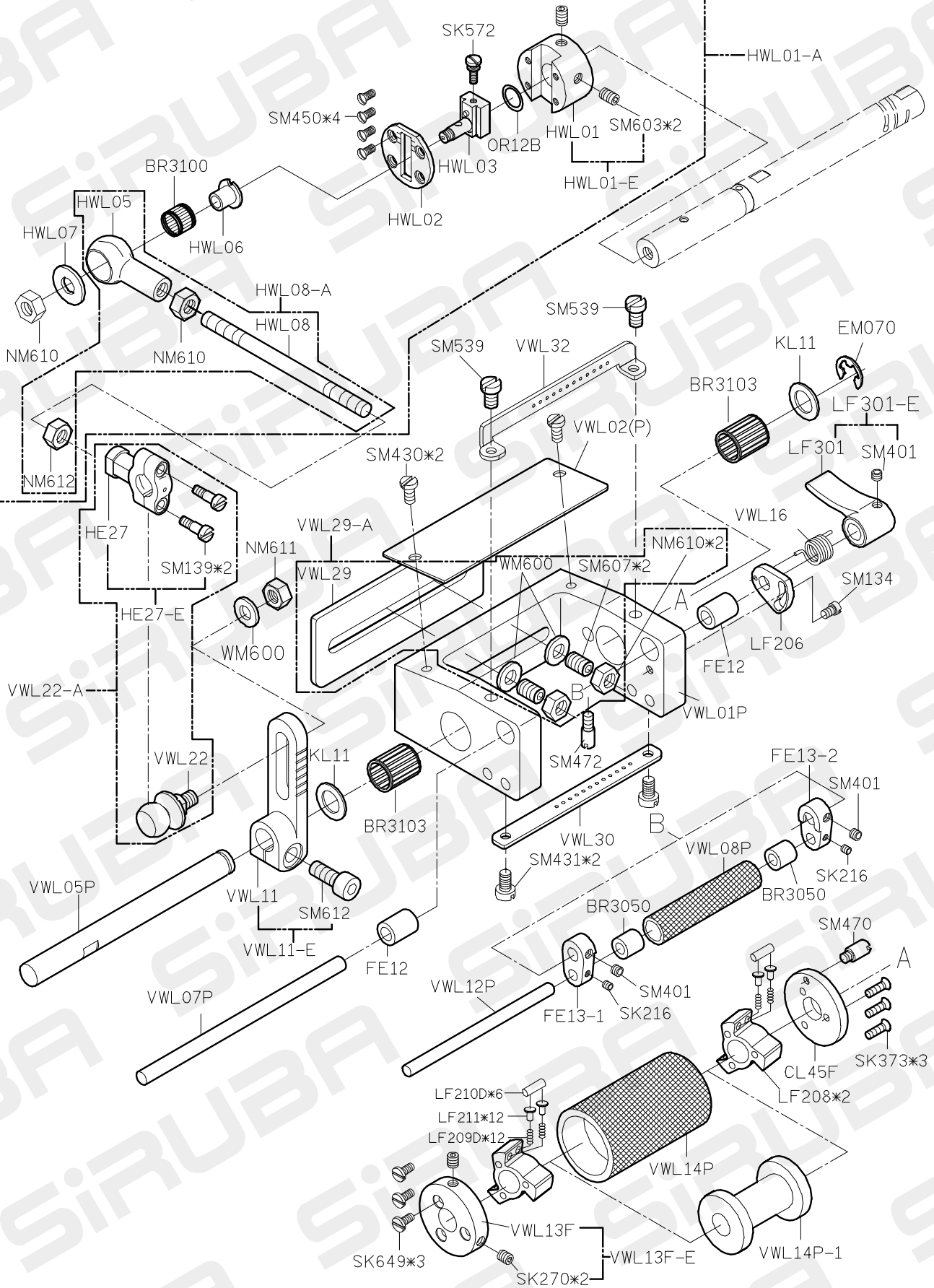
A

B

C

D

E



1

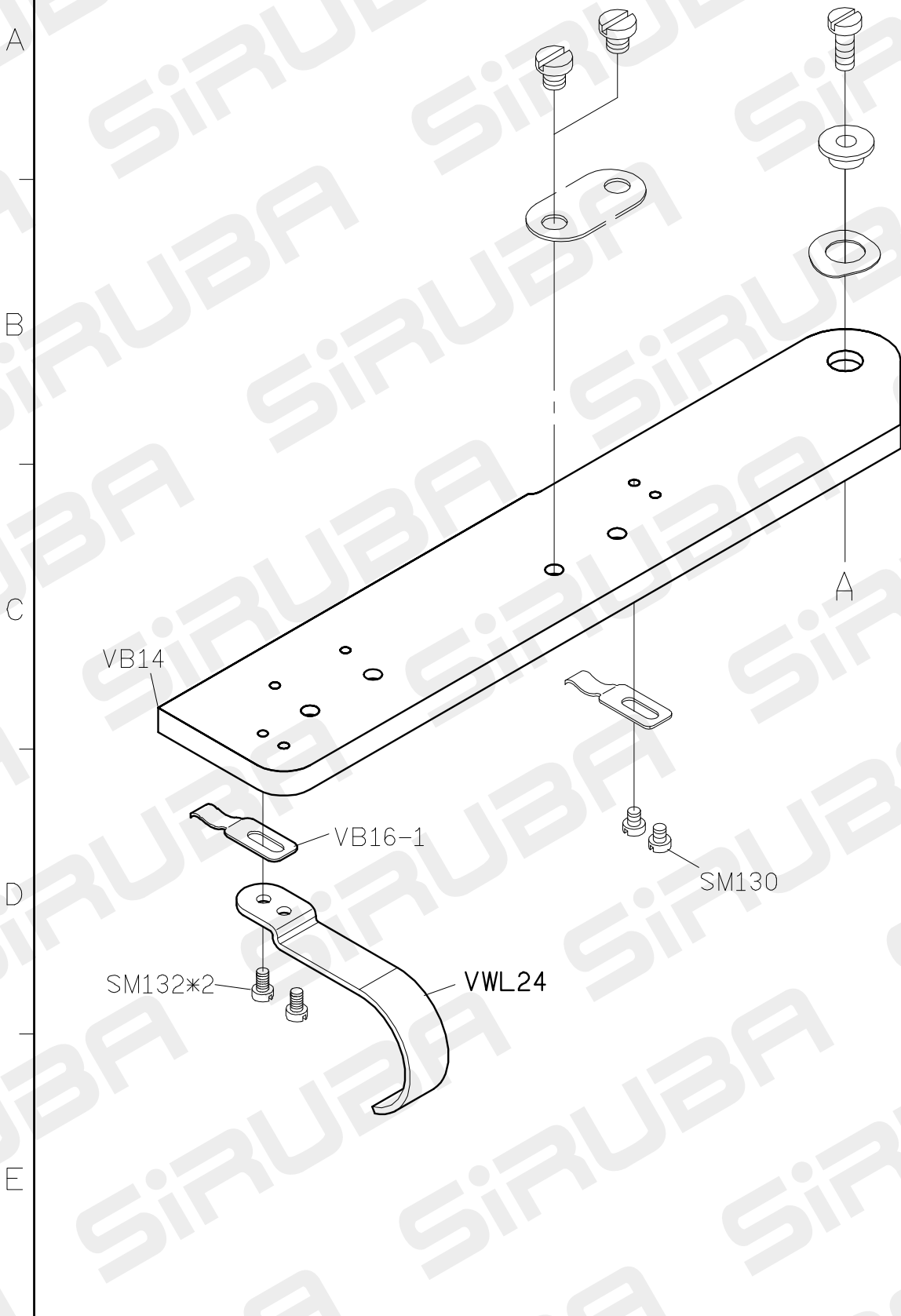
2

3

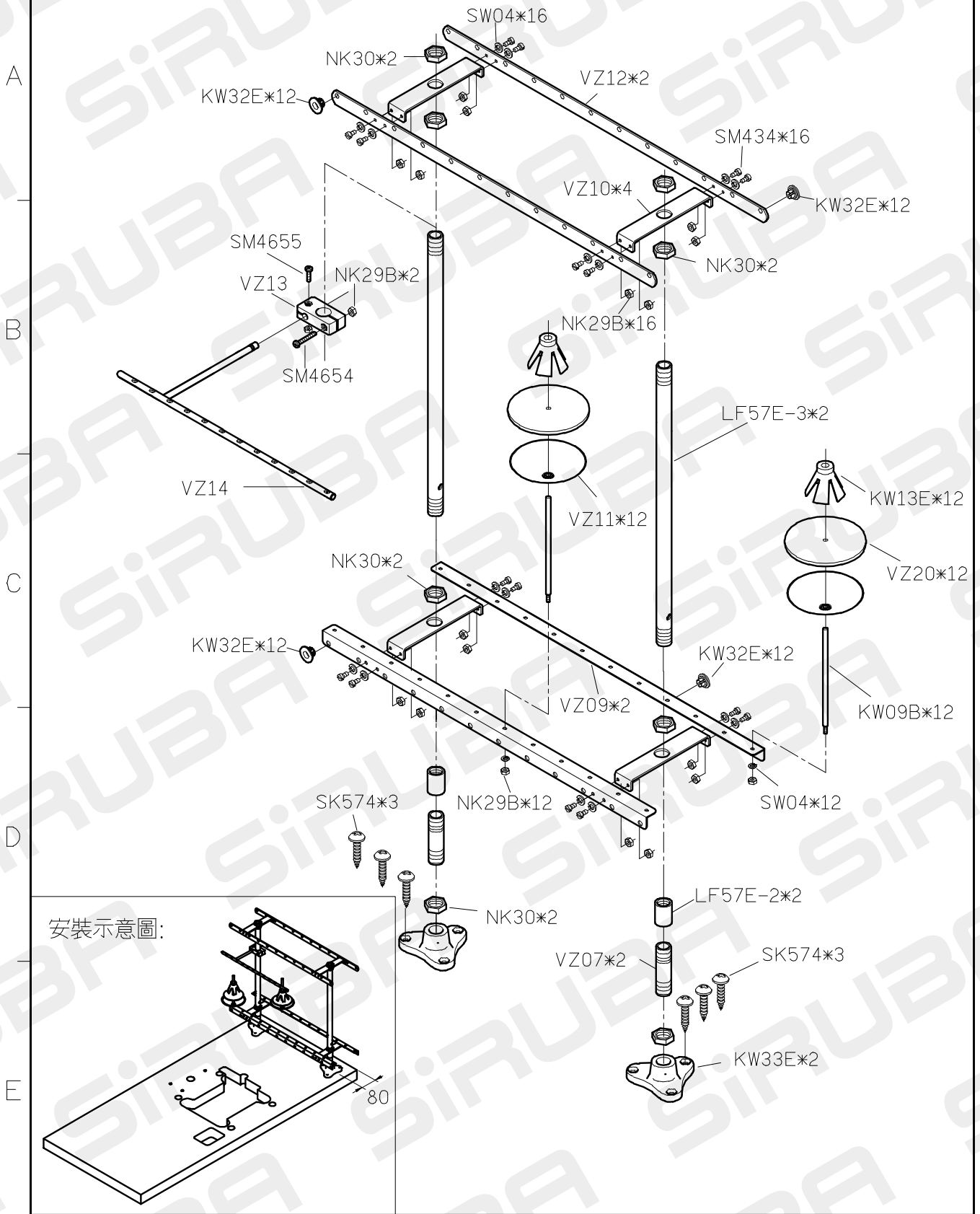
4

5

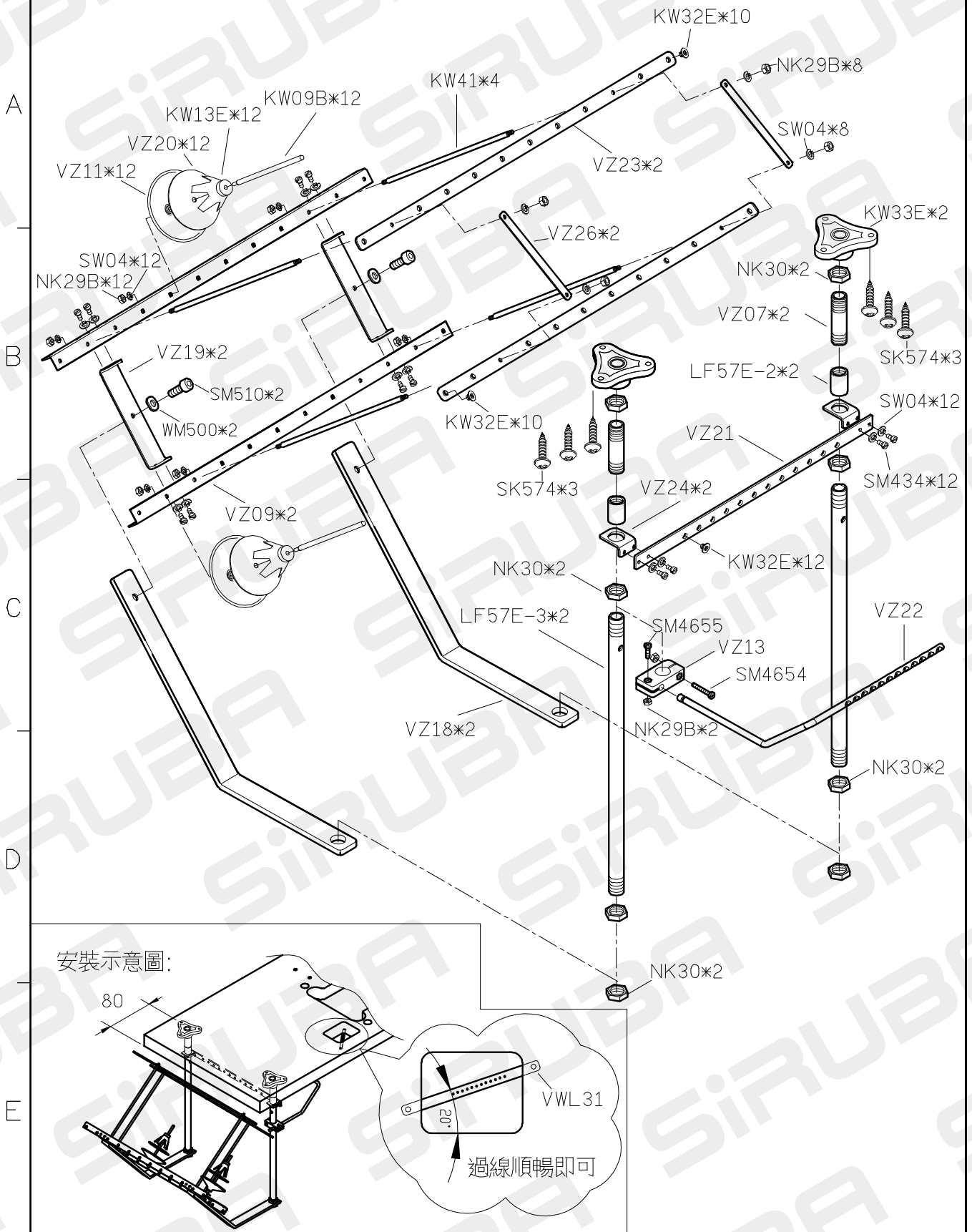
PARTS LIST FOR VPQ-K GROUP P.3/6



# VC008 PARTS LIST FOR VPQ-K GROUP P.4/6

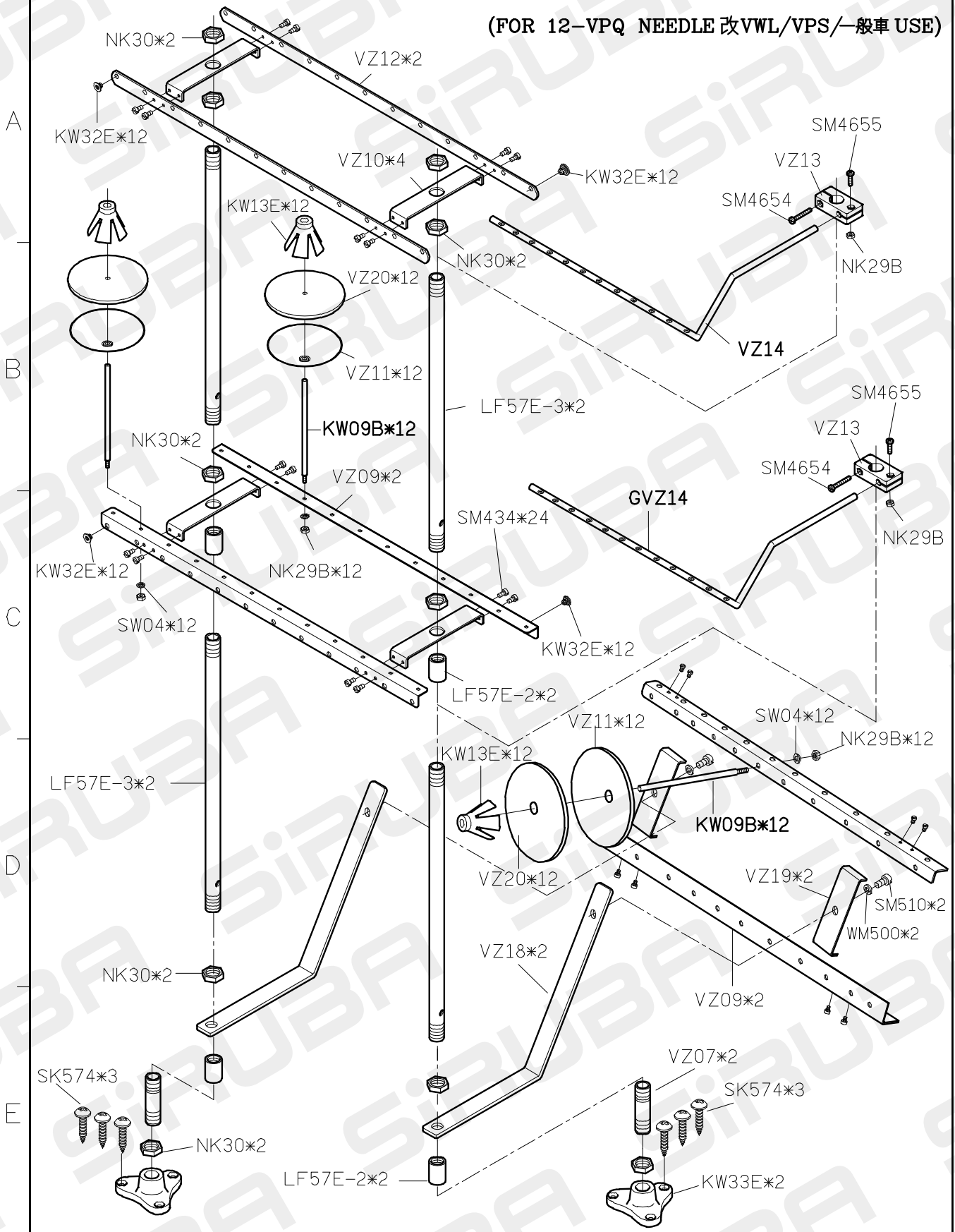


# VC008 PARTS LIST FOR VPQ-K GROUP P.5/6



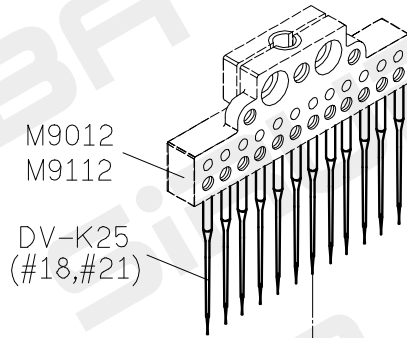
# VC008 PARTS LIST FOR VPQ-K GROUP P.6/6

(FOR 12-VPQ NEEDLE 改VWL/VPS/一般車 USE)

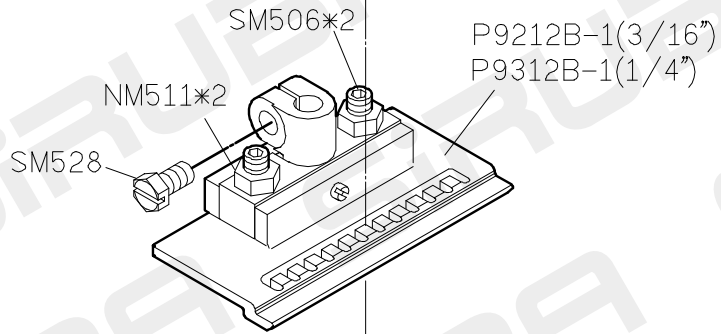


# PARTS LIST FOR VPS GROUP P.1/1

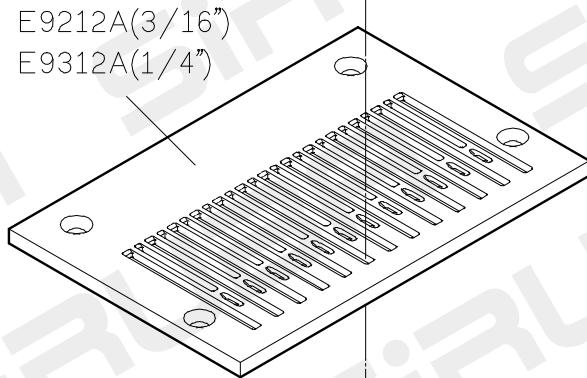
A



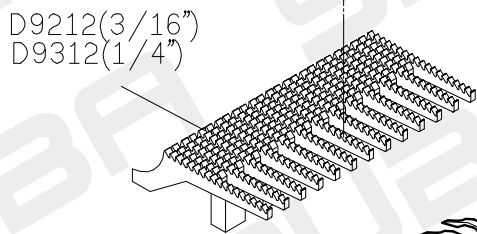
B



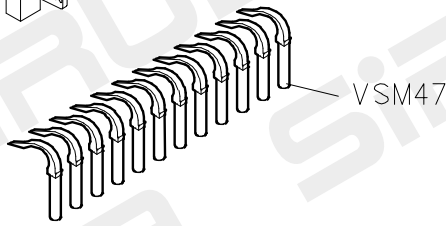
C



D

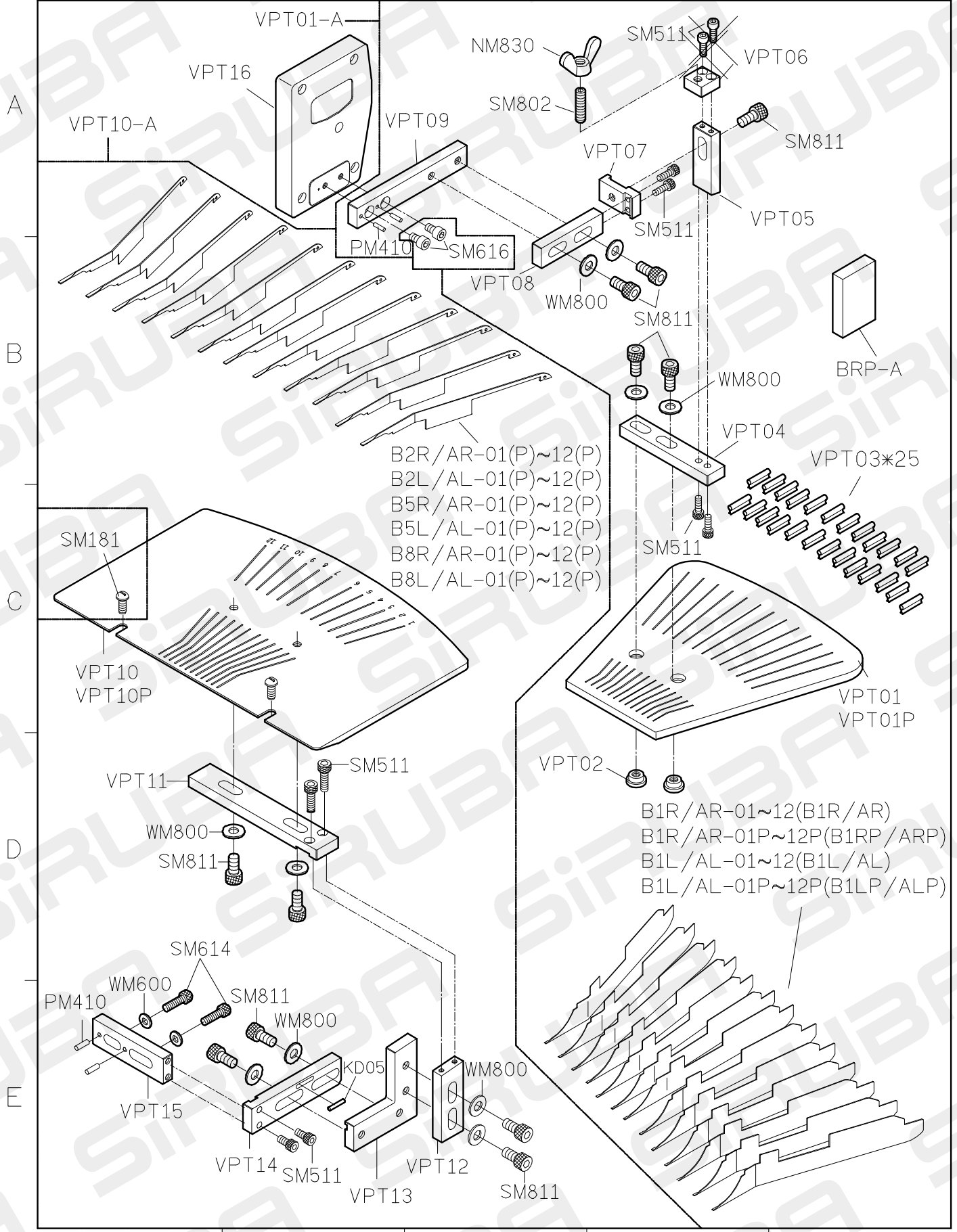


E





# PARTS LIST FOR VPT GROUP P.1/1



- B2R/AR-01(P)~12(P)
- B2L/AL-01(P)~12(P)
- B5R/AR-01(P)~12(P)
- B5L/AL-01(P)~12(P)
- B8R/AR-01(P)~12(P)
- B8L/AL-01(P)~12(P)

- B1R/AR-01~12(B1R/AR)
- B1R/AR-01P~12P(B1RP/ARP)
- B1L/AL-01~12(B1L/AL)
- B1L/AL-01P~12P(B1LP/ALP)

# VC008 PARTS LIST FOR VSF GROUP P.1/1

規格 代號	產品寬 FINISHED SIZE	入布寬 TAPE SIZE	針距	機種
B529	1 $\frac{3}{8}$ "	2 $\frac{3}{8}$ "	1/4- $\frac{3}{4}$ -1/4	0464-191
B529P	1 $\frac{1}{2}$ "	2 $\frac{1}{2}$ "	$\frac{3}{16}$ -1- $\frac{3}{16}$	0448-254
B529Q	1 $\frac{5}{8}$ "	2 $\frac{5}{8}$ "	1/4-1-1/4	0464-254

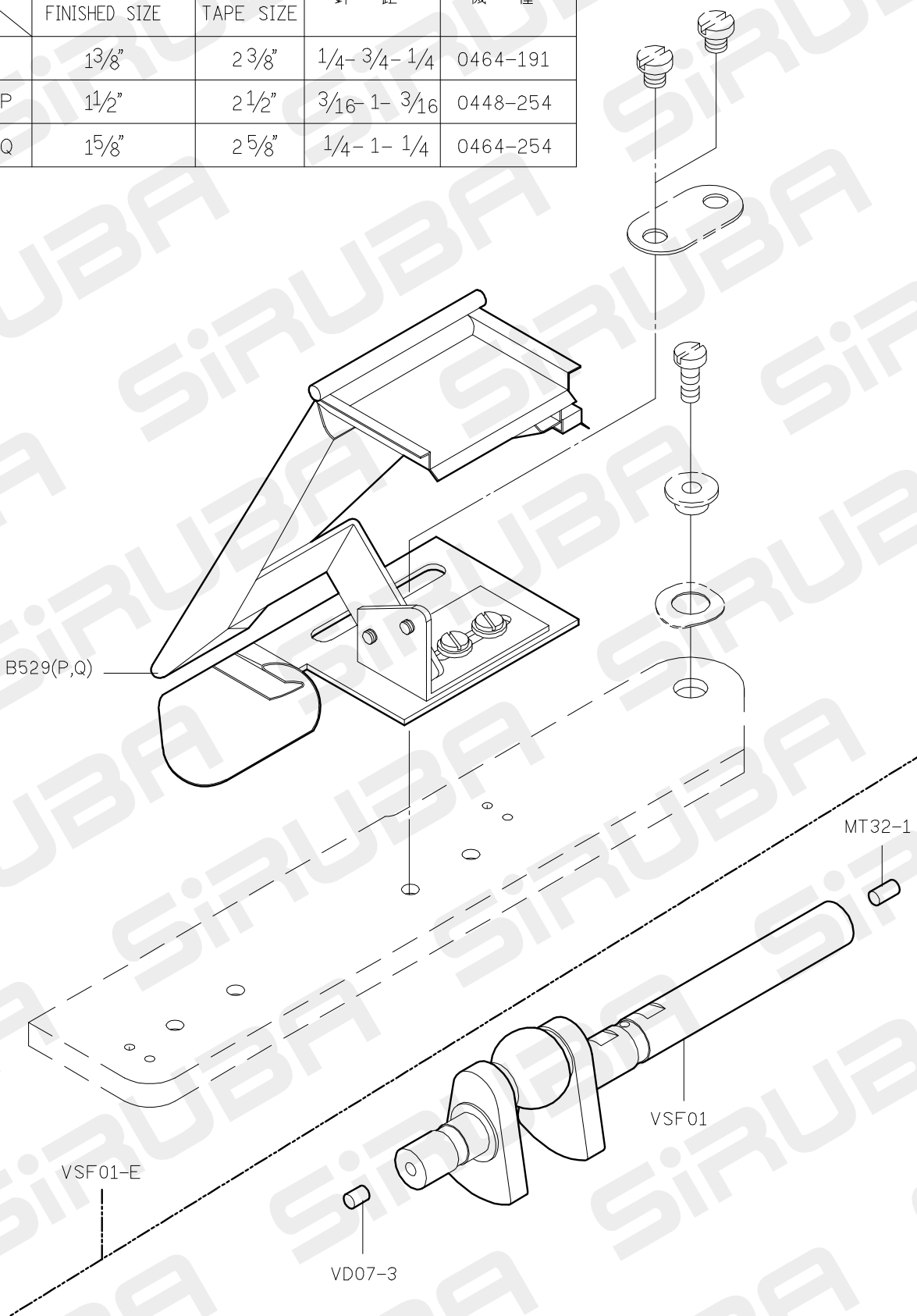
A

B

C

D

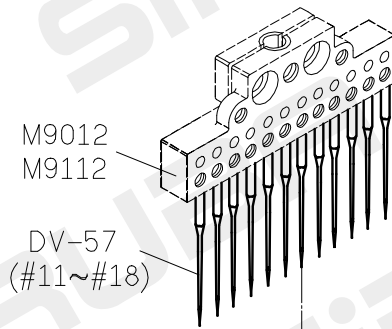
E



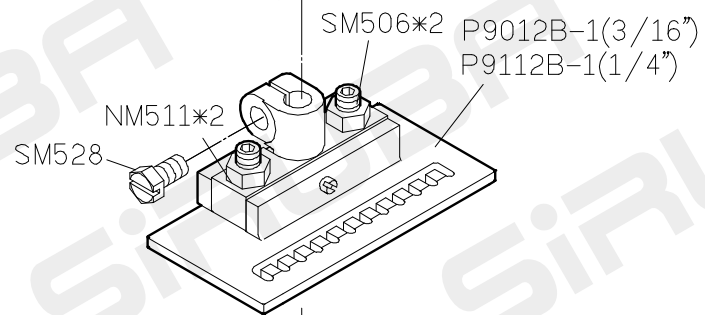
1 2 3 4 5

# VC008 PARTS LIST FOR VSM GROUP P.1/10

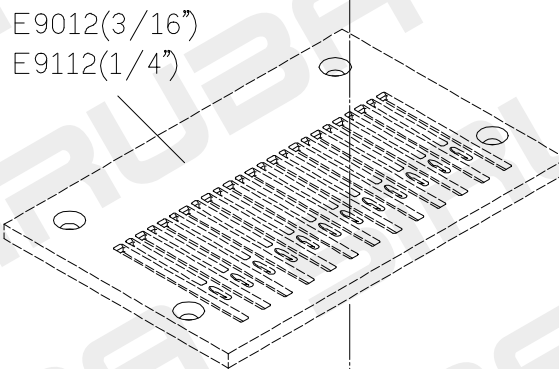
A



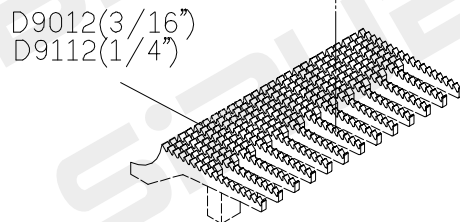
B



C

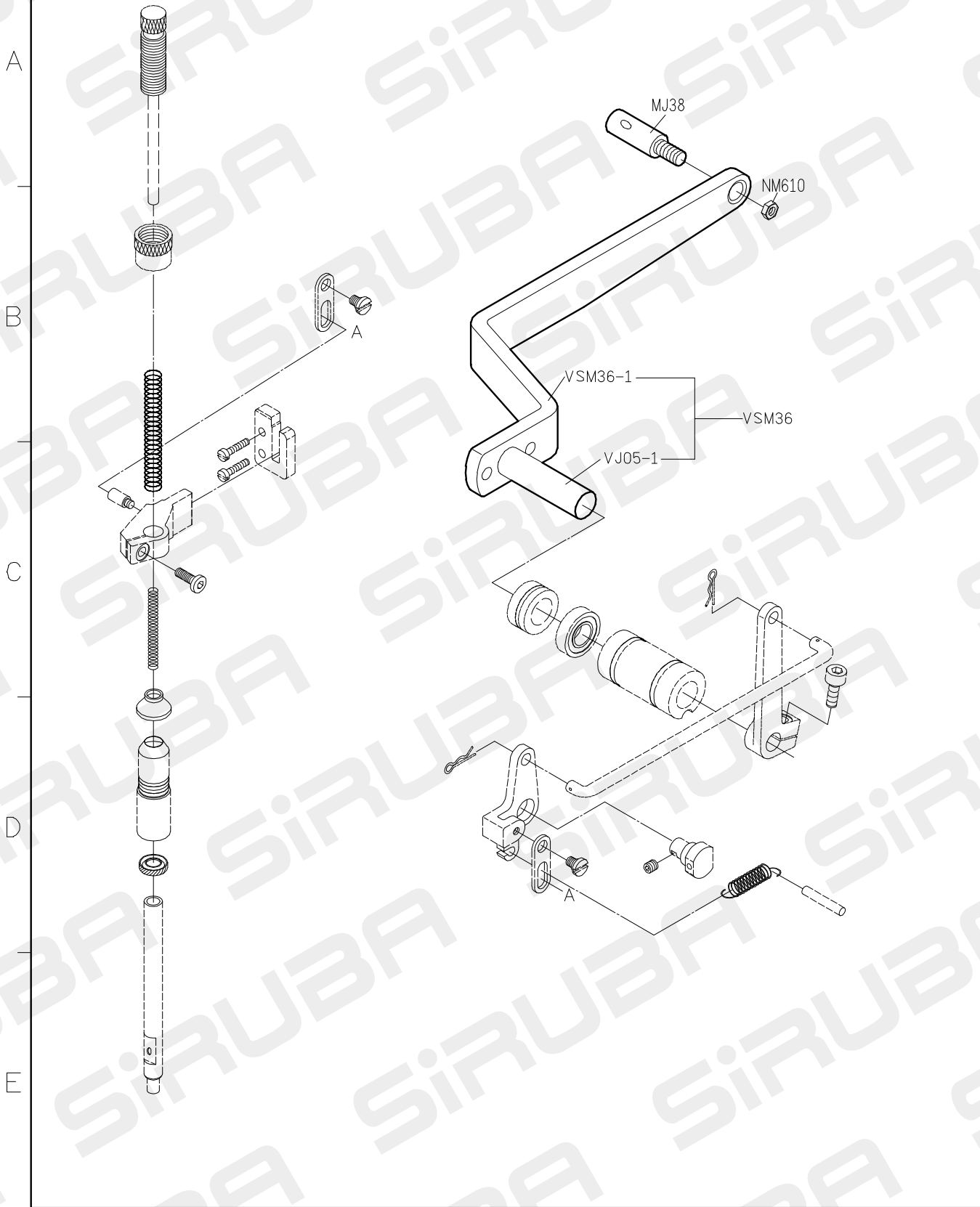


D

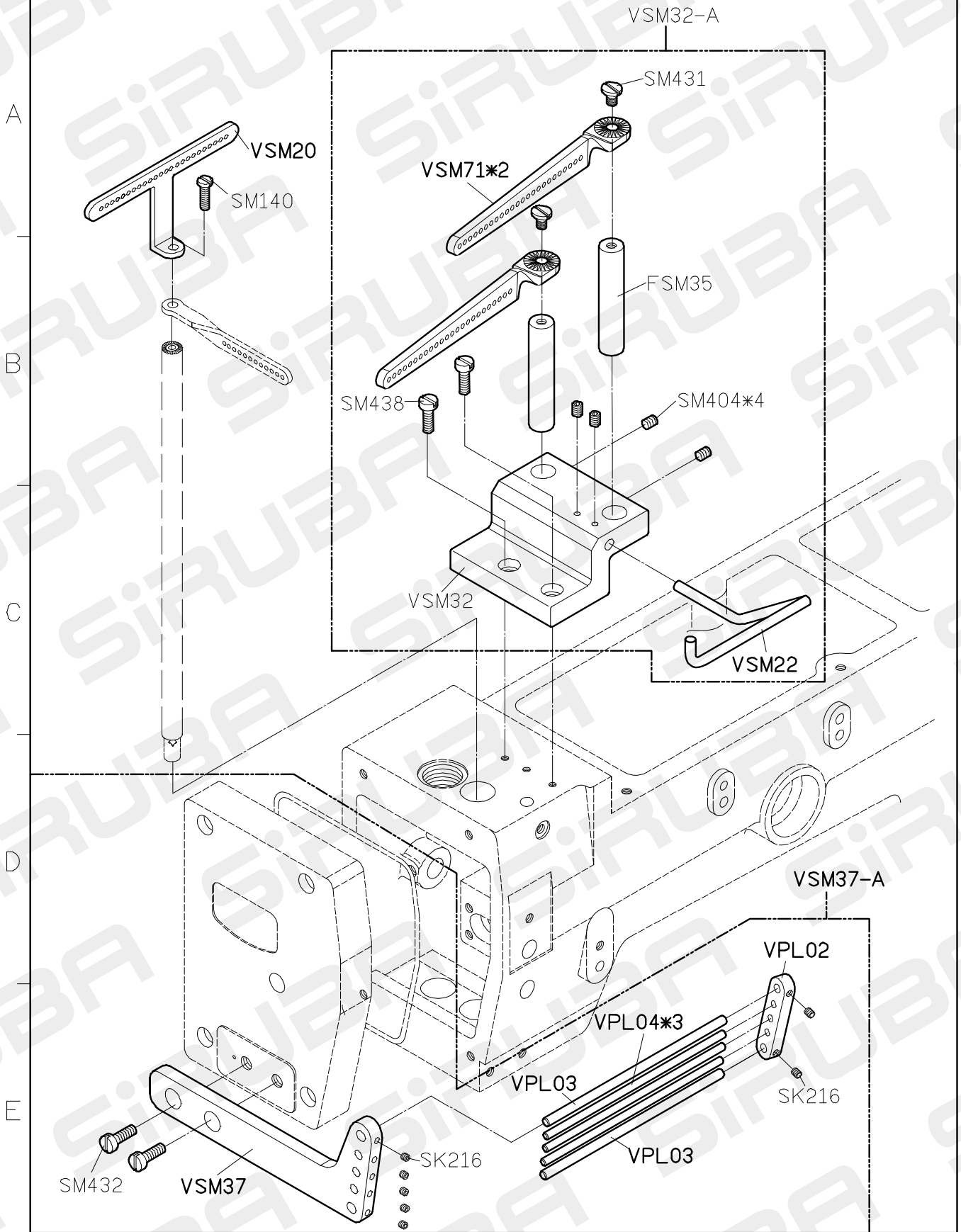


E

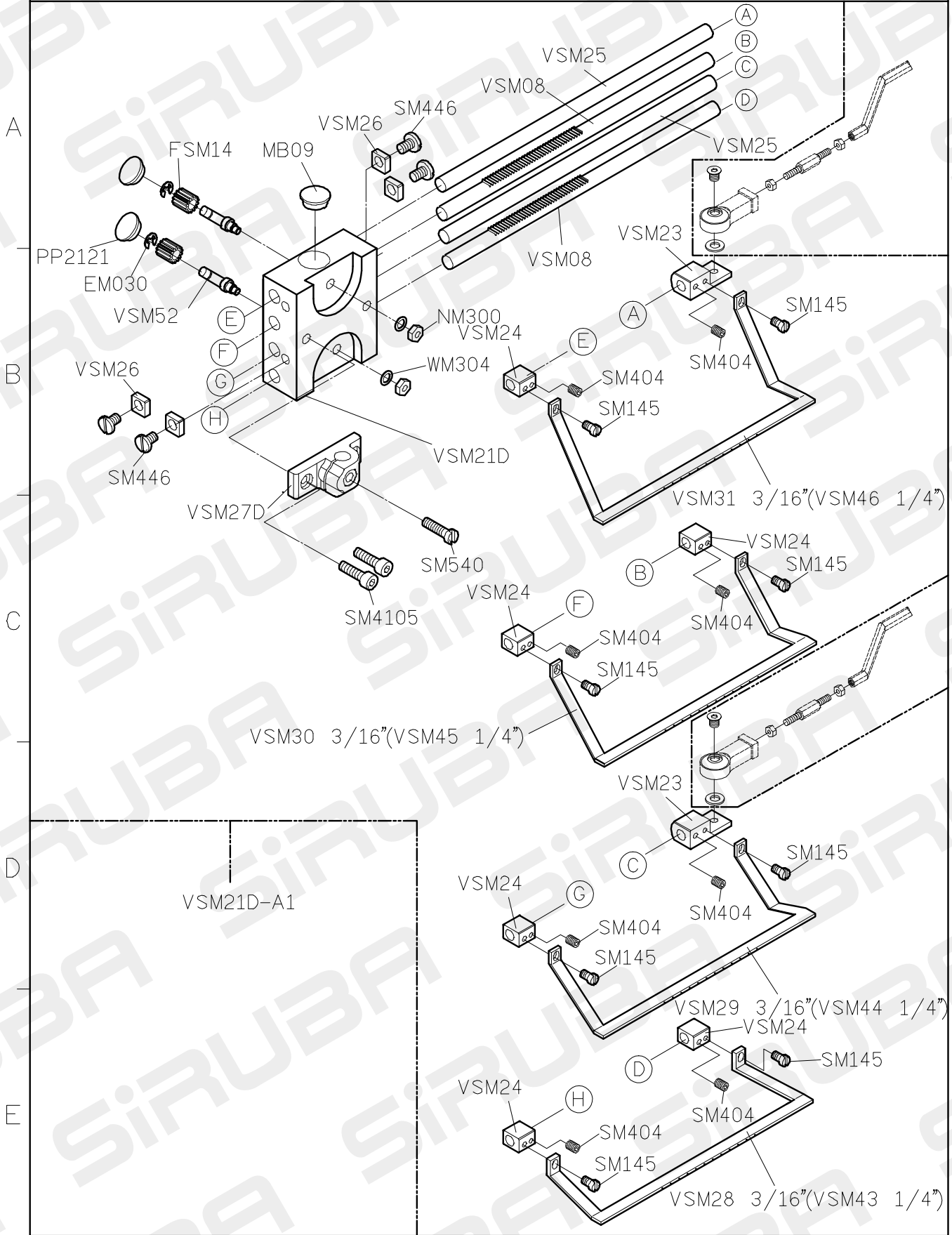
# VC008 PARTS LIST FOR VSM/VSQ GROUP P.2/10



# VC008 PARTS LIST FOR VSM/VSQ GROUP P.3/10

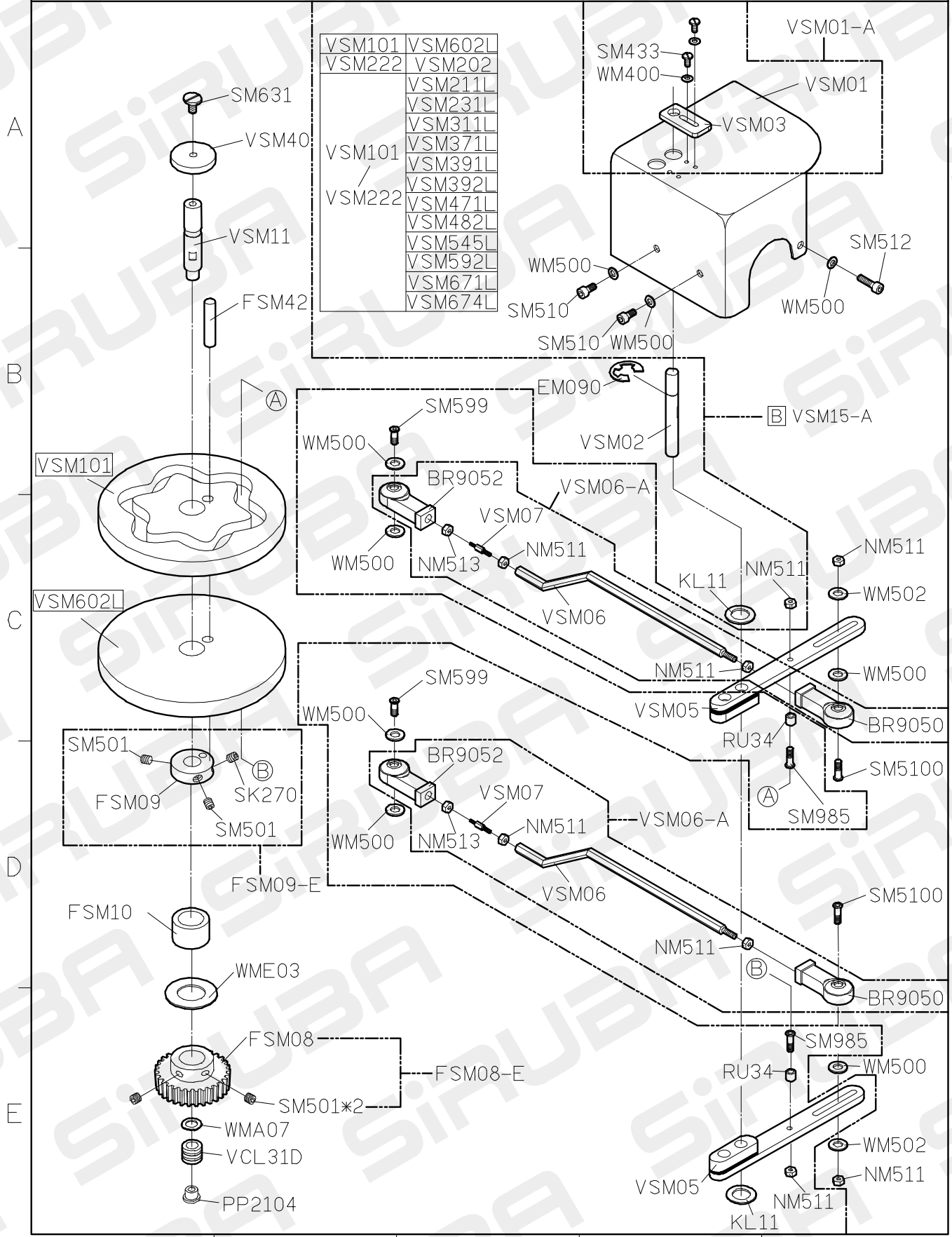


# VC008 PARTS LIST FOR VSM/VSQ GROUP P.4/10



# VC008 PARTS LIST FOR VSM/VSQ GROUP P.5/10

VSM101	VSM602L
VSM222	VSM202
	VSM211L
	VSM231L
	VSM311L
VSM101	VSM371L
VSM222	VSM391L
	VSM392L
	VSM471L
	VSM482L
	VSM545L
	VSM592L
	VSM671L
	VSM674L



# VC008 PARTS LIST FOR VSM/VSQ GROUP P.6/10

A

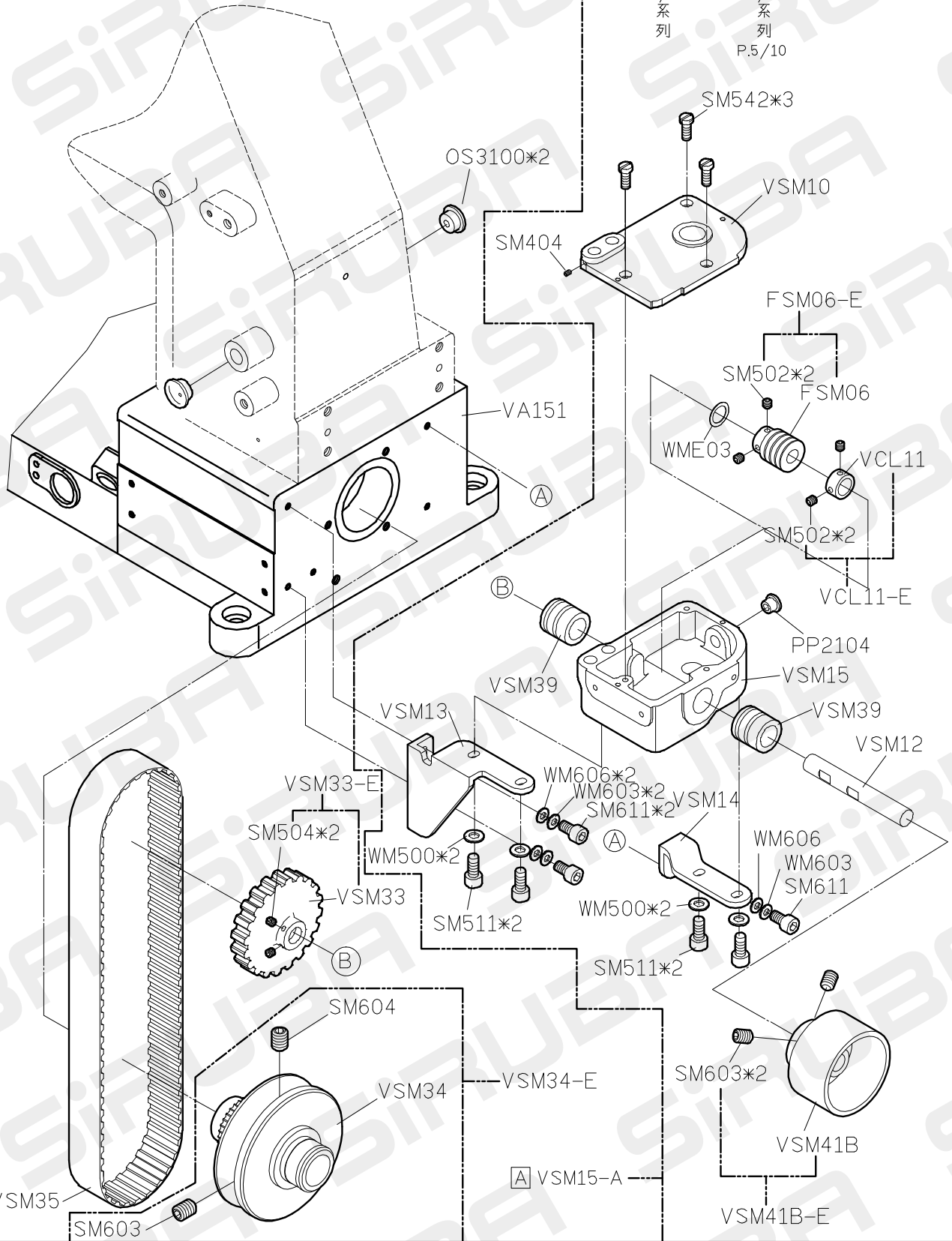
B

C

D

E

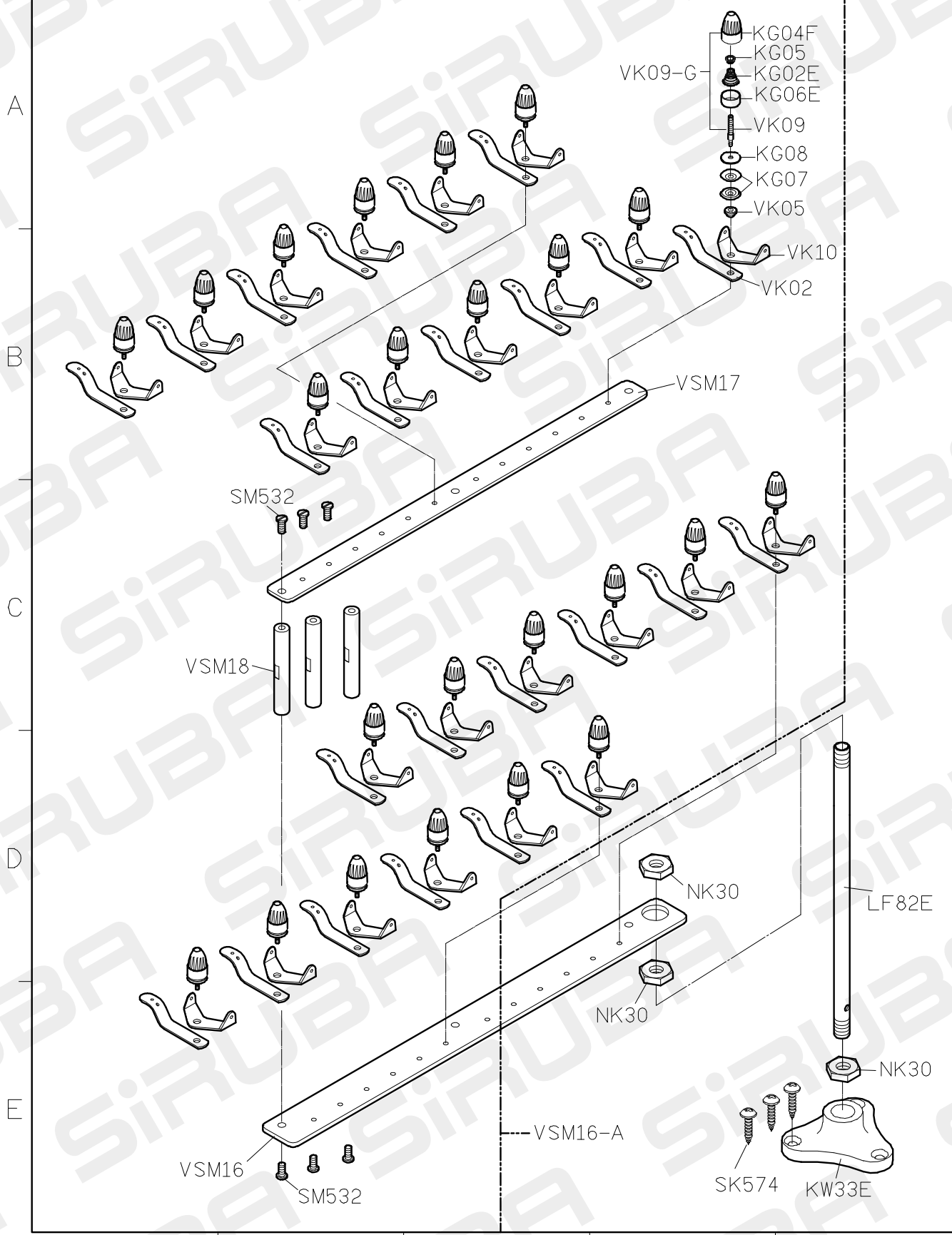
$\boxed{A} + \boxed{B} = \text{VSM15-A}$   
 VSM/VSQ 系列 P.5/10  
 VSM/VSQ 系列 P.5/10



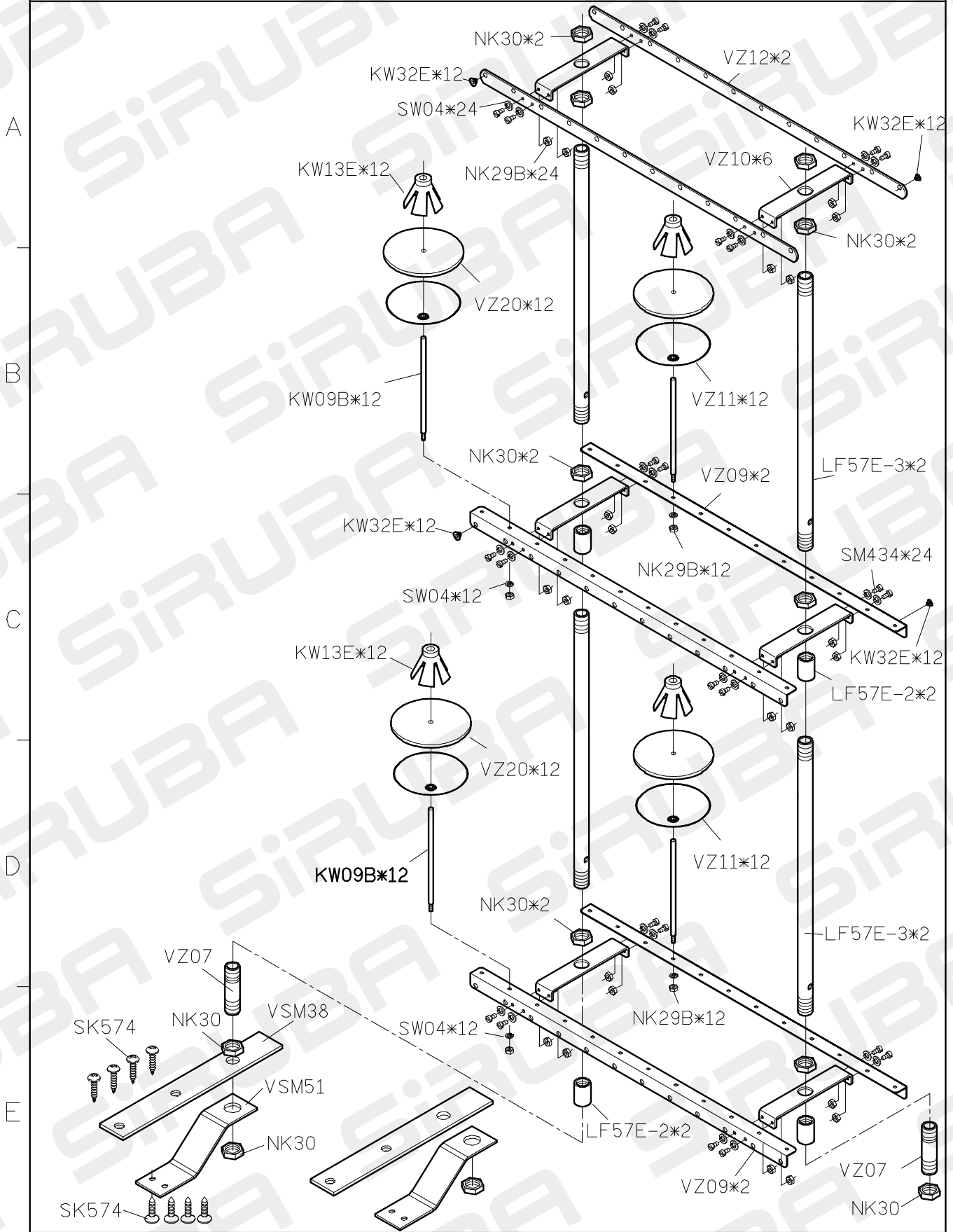
1 2 3 4 5



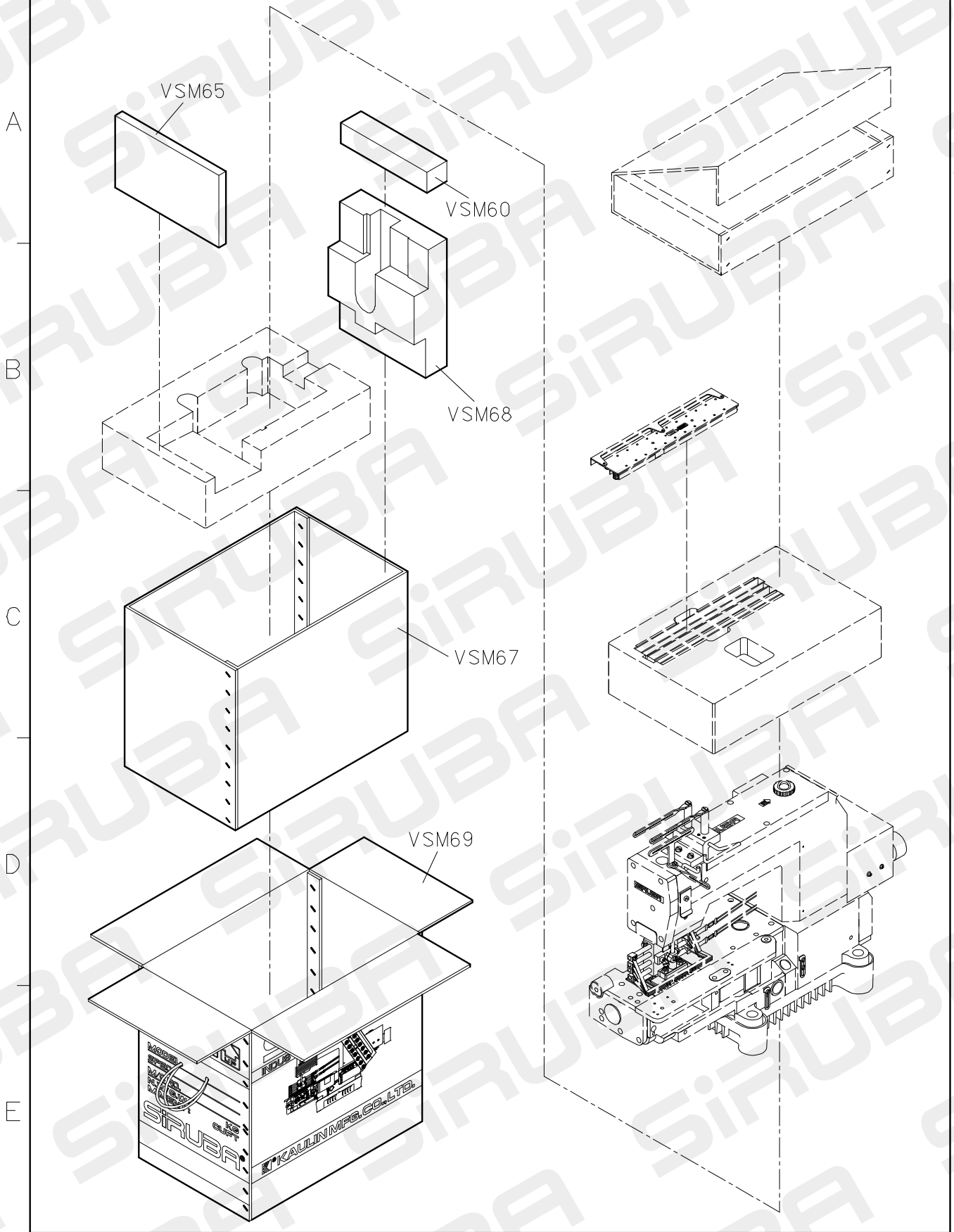
# VC008 PARTS LIST FOR VSM/VSQ GROUP P.7/10



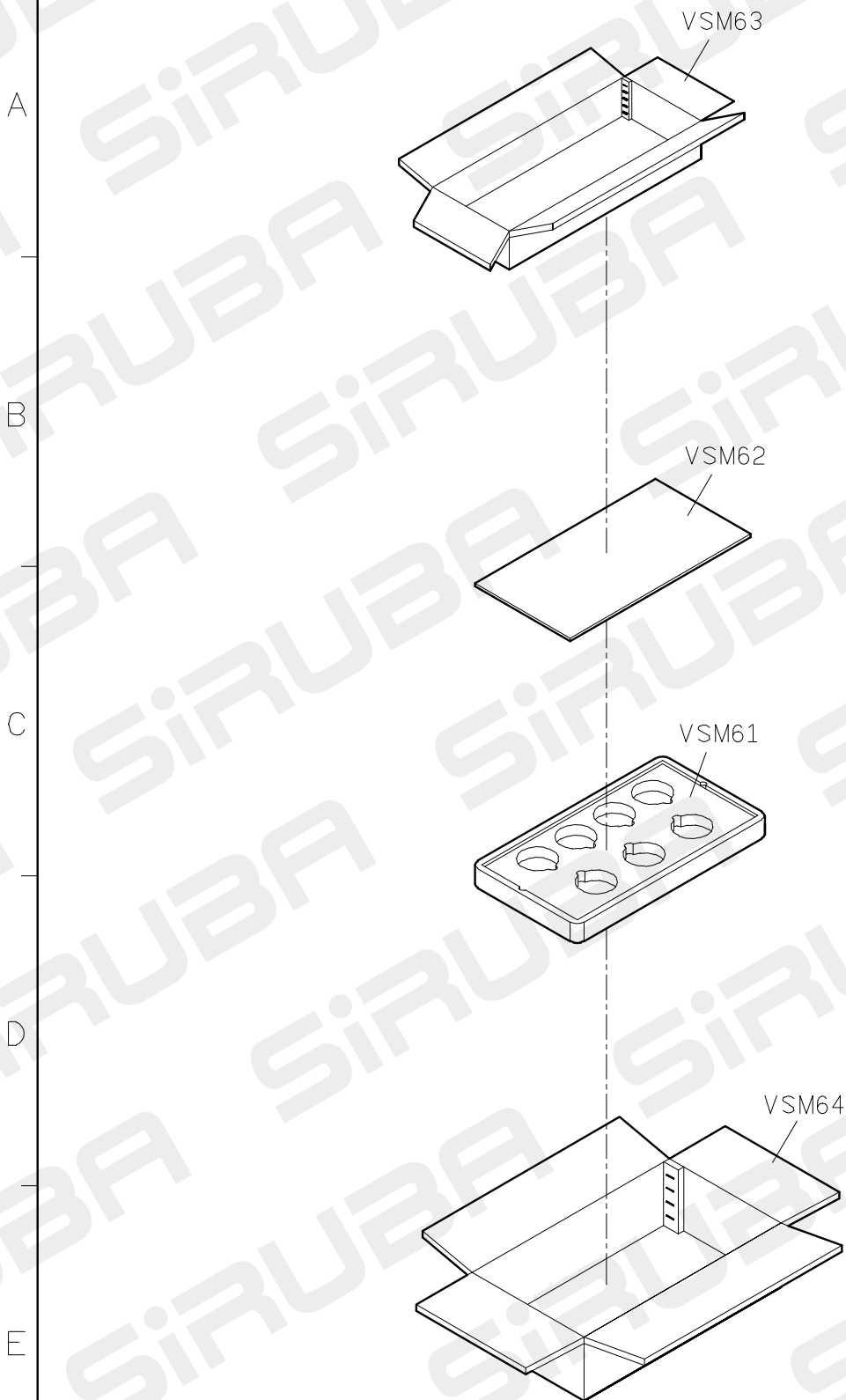
# VC008 PARTS LIST FOR VSM/VSQ GROUP P.8/10



# VC008 PARTS LIST FOR VSM/VSQ GROUP P.9/10

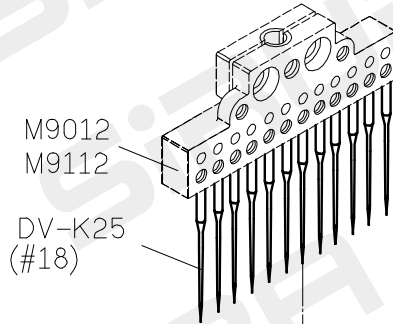


# VC008 PARTS LIST FOR VSM/VSQ GROUP P.10/10

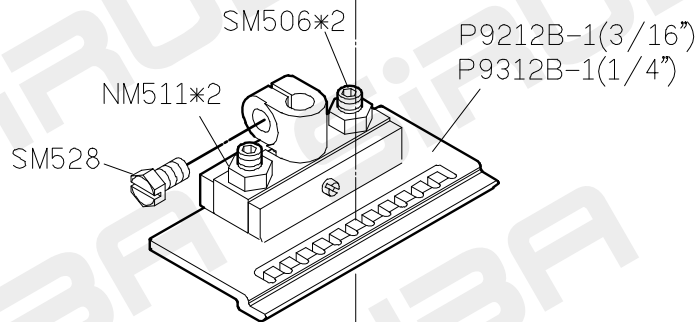


# VC008 PARTS LIST FOR VSQ GROUP P.1/2

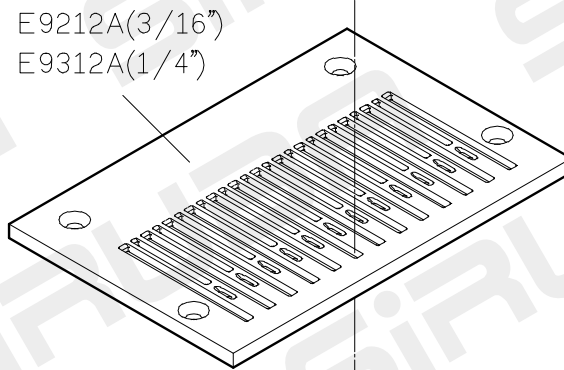
A



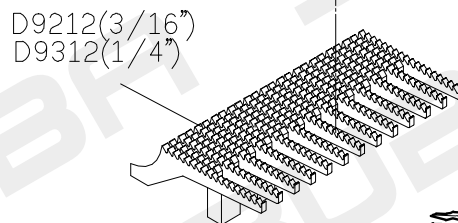
B



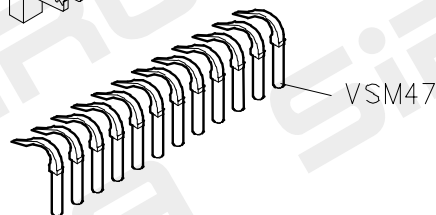
C



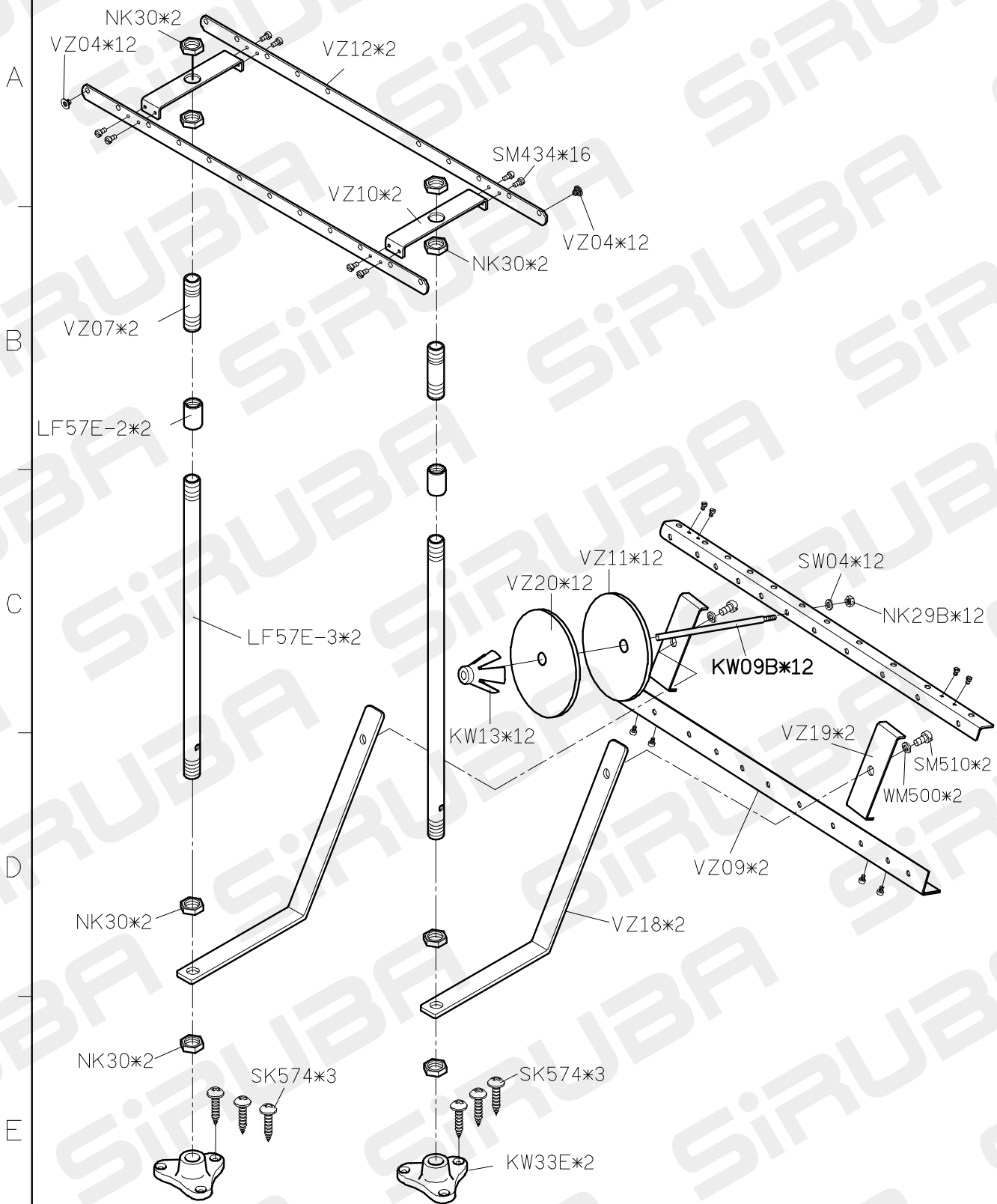
D



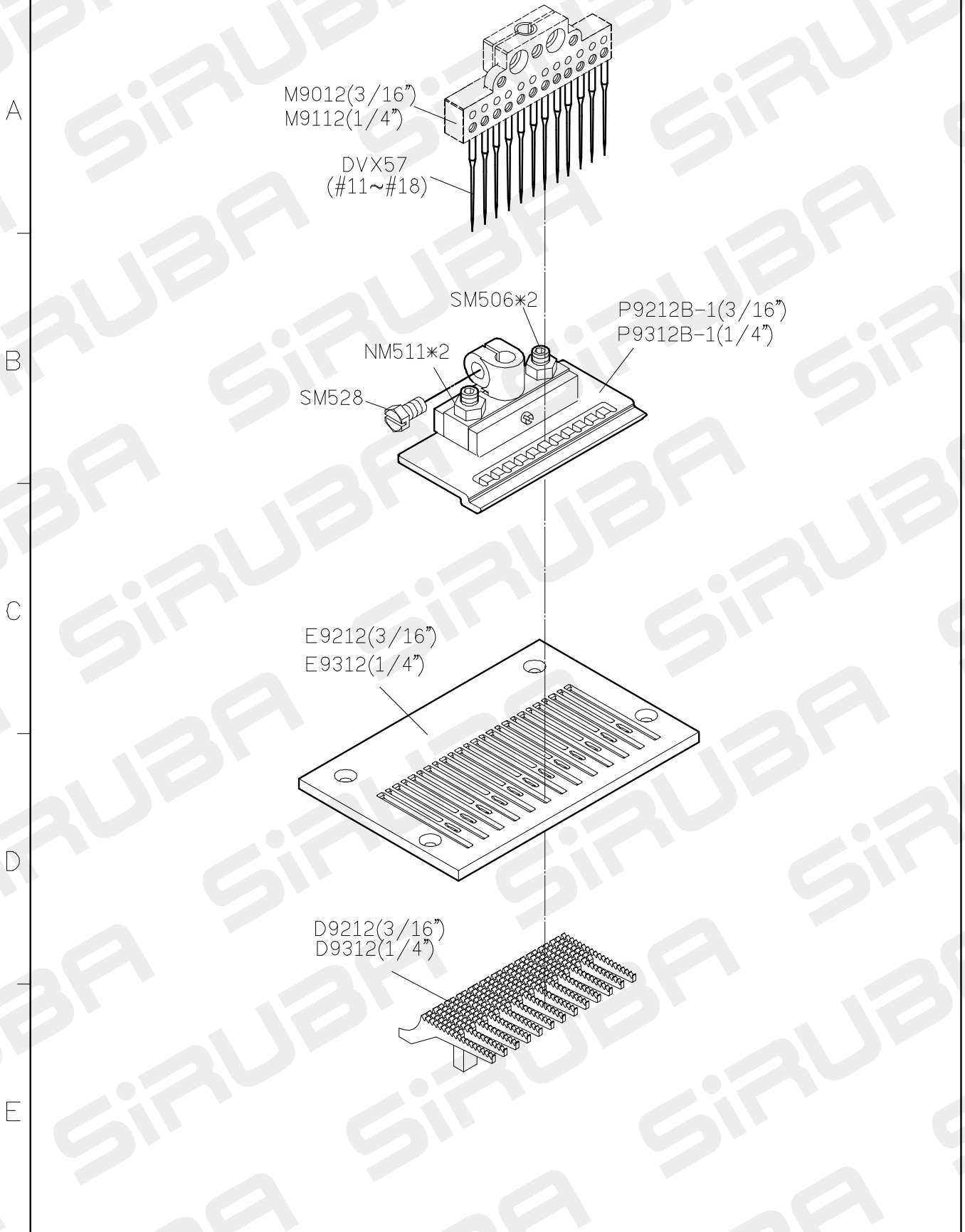
E



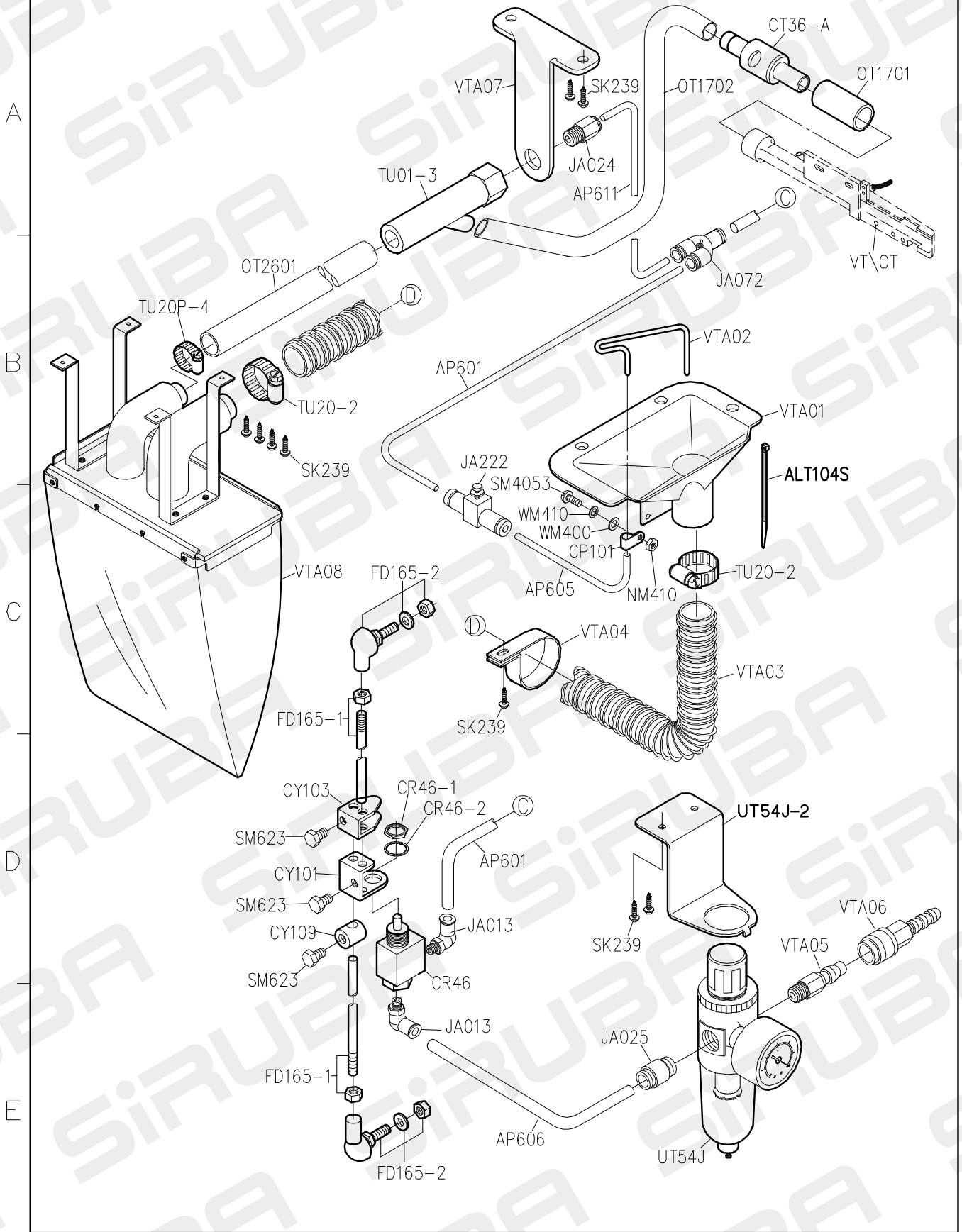
# VC008 PARTS LIST FOR VSQ GROUP P.2/2



# VC008 PARTS LIST FOR VSSM GROUP P.1/1

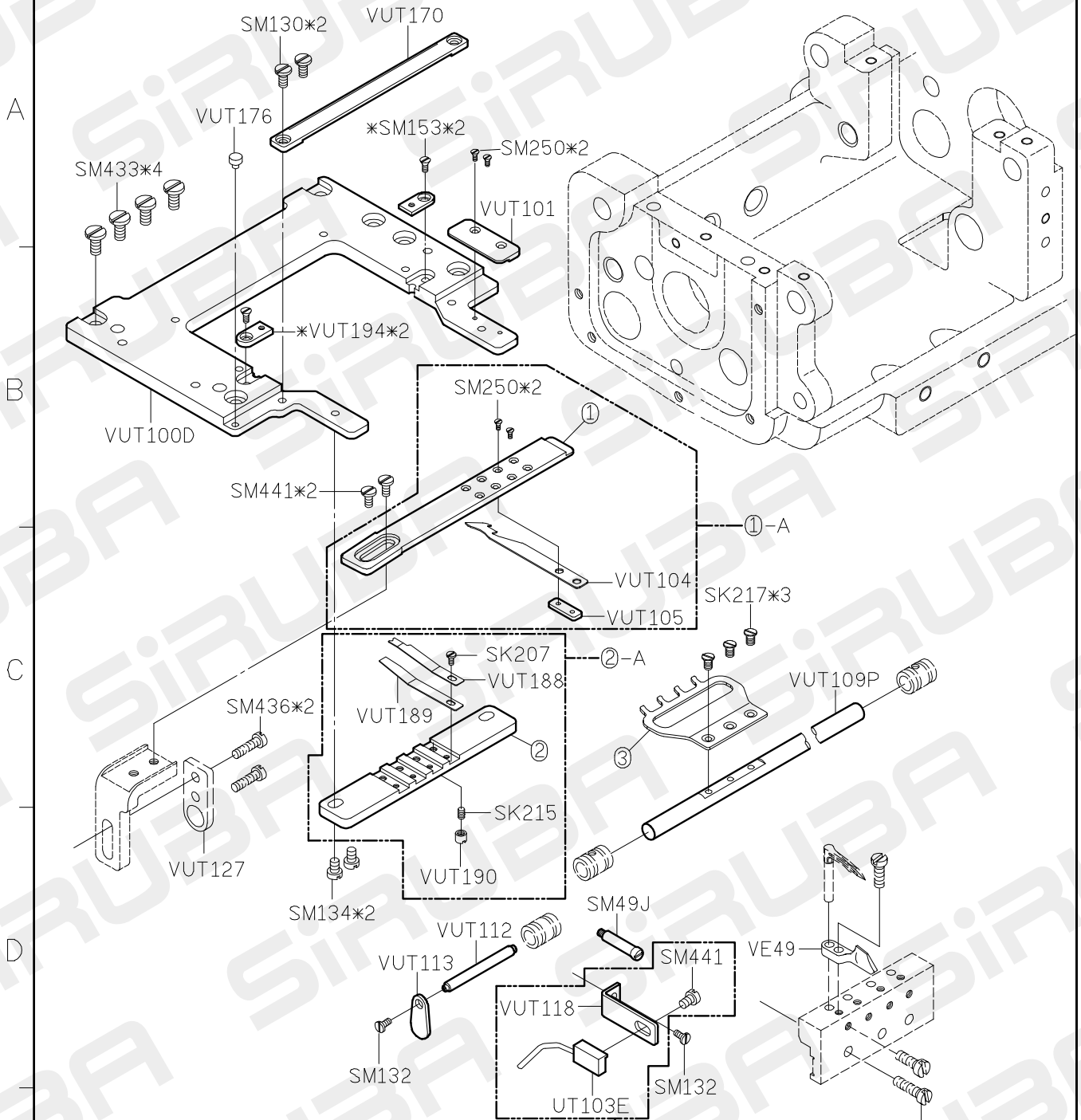


# VC008 PARTS LIST FOR VTA GROUP P.1/1



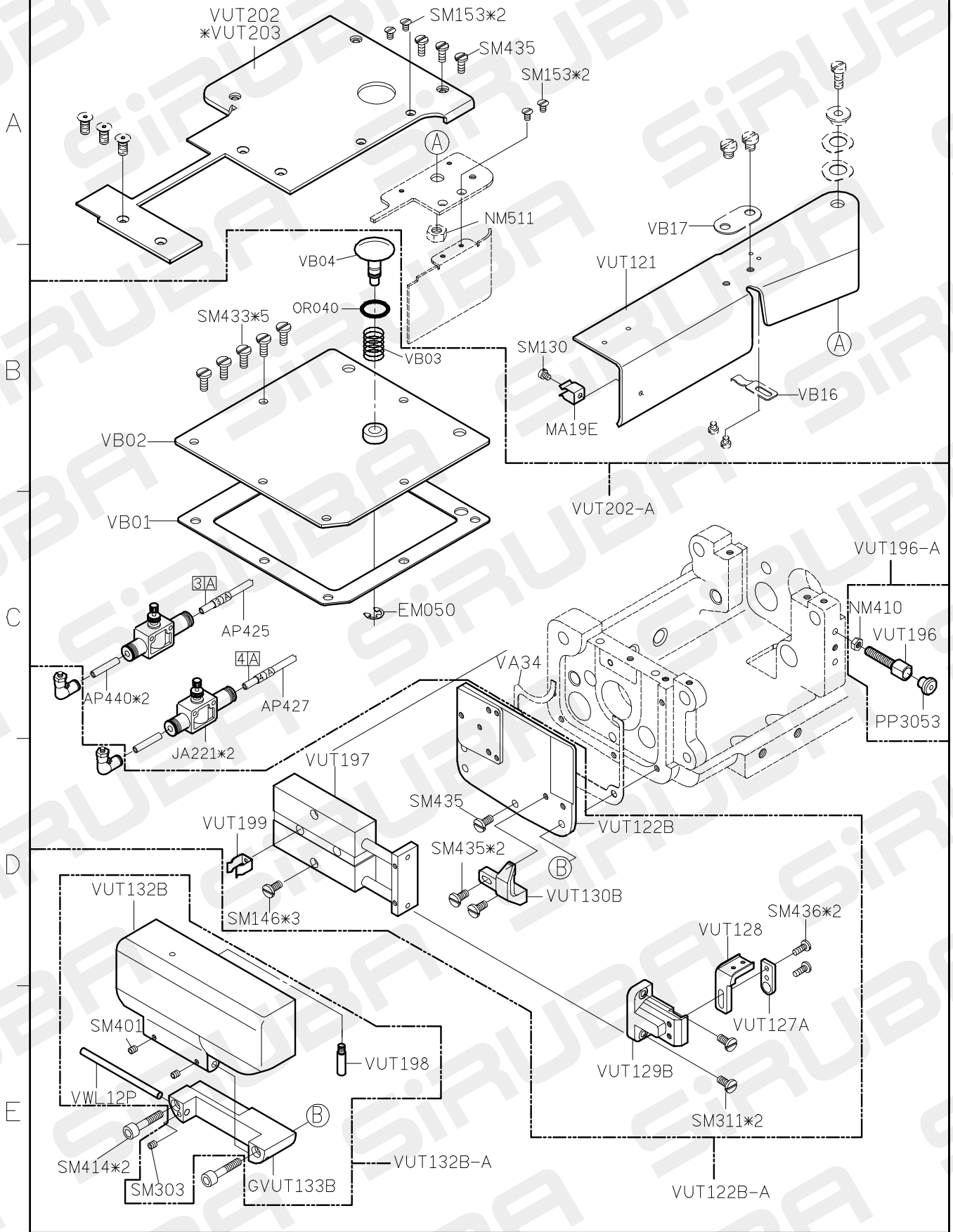


# VC008 PARTS LIST FOR VUT GROUP P.1/7



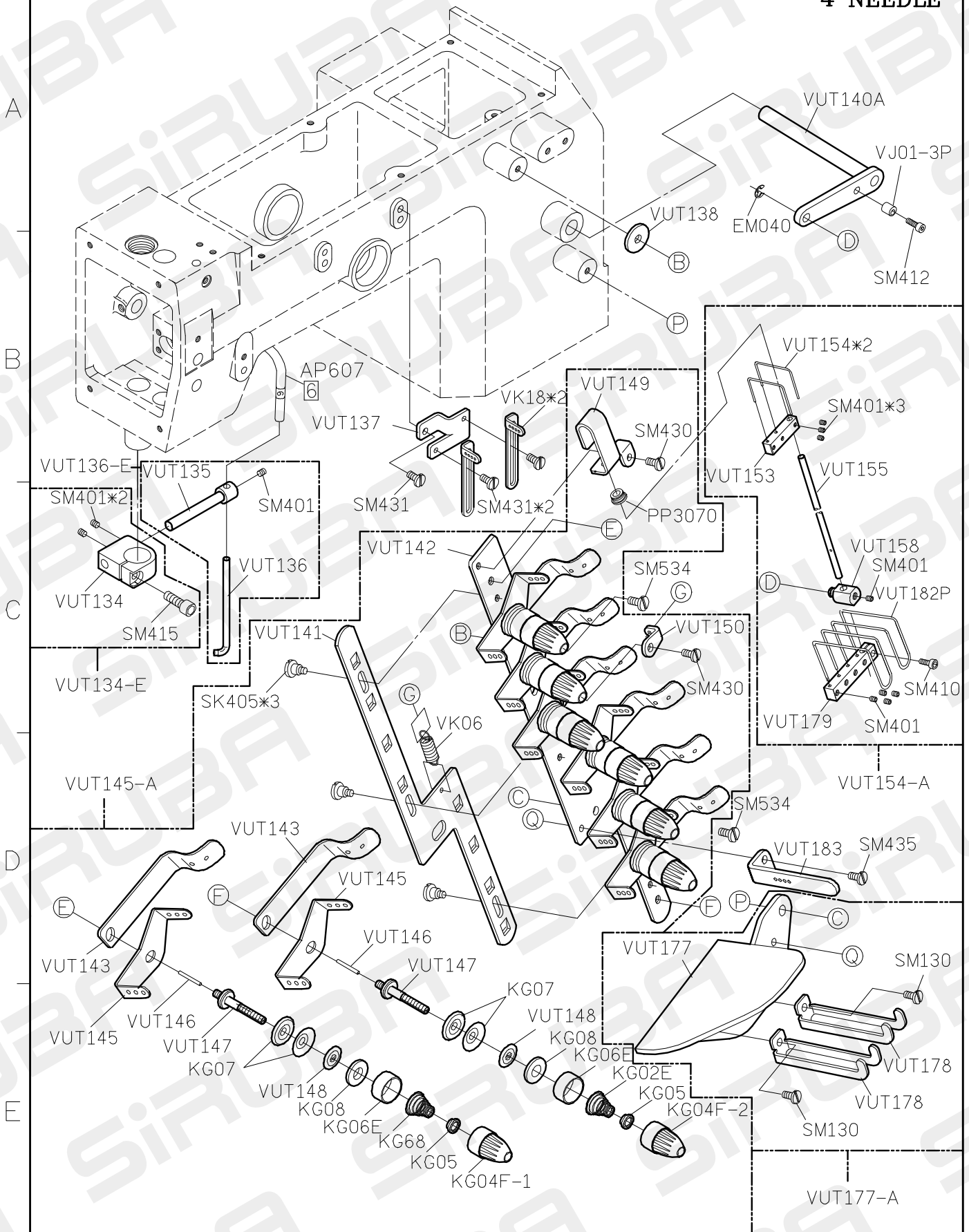
機 型 規 格		①	②	③	
E	VC008-04	064	VUT184P	VUT187P	VUT108P
		085	VUT184Q	VUT187Q	VUT108Q
		095	VUT184R	VUT187R	VUT108R
		106	VUT184S	VUT187S	VUT108S
		127	VUT184T	VUT187T	VUT108T
VC008-06	064	VUT184V	VUT187V	VUT108V	
VC008-12	050	VUT184U	VUT187U	VUT108U	

# VC008 PARTS LIST FOR VUT GROUP P.2/7



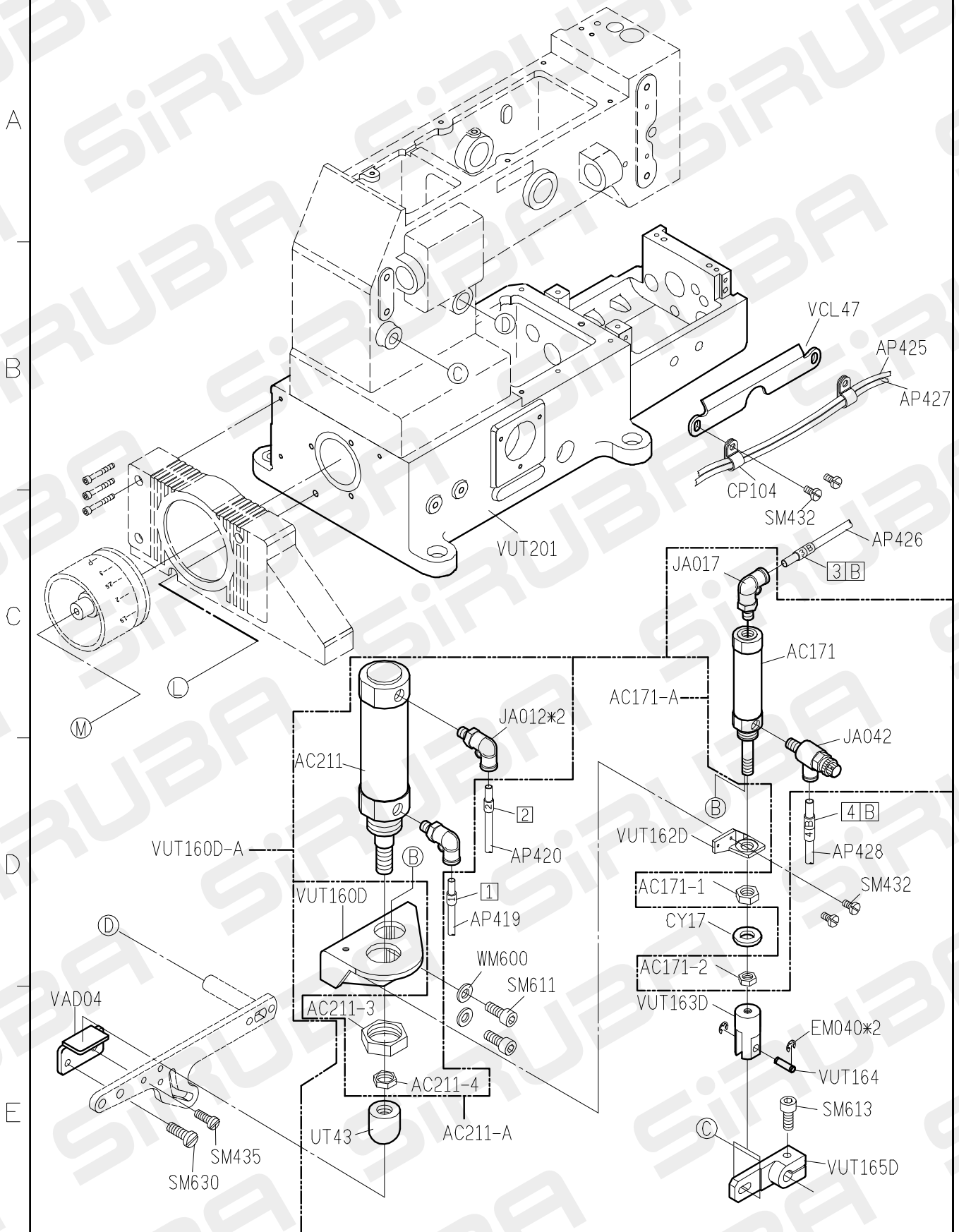
# PARTS LIST FOR VUT GROUP P.3/7

4 NEEDLE

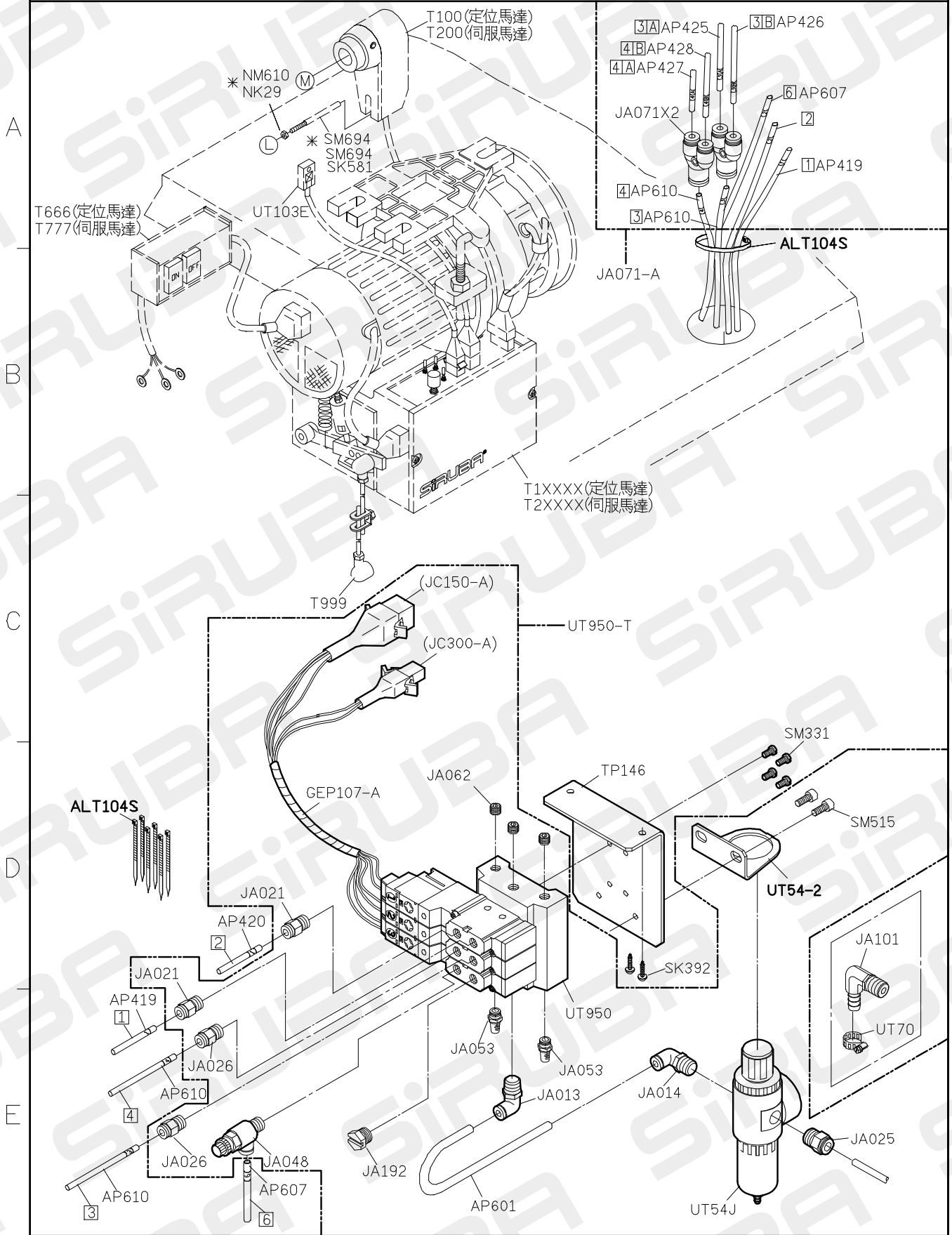




# VC008 PARTS LIST FOR VUT GROUP P.5/7

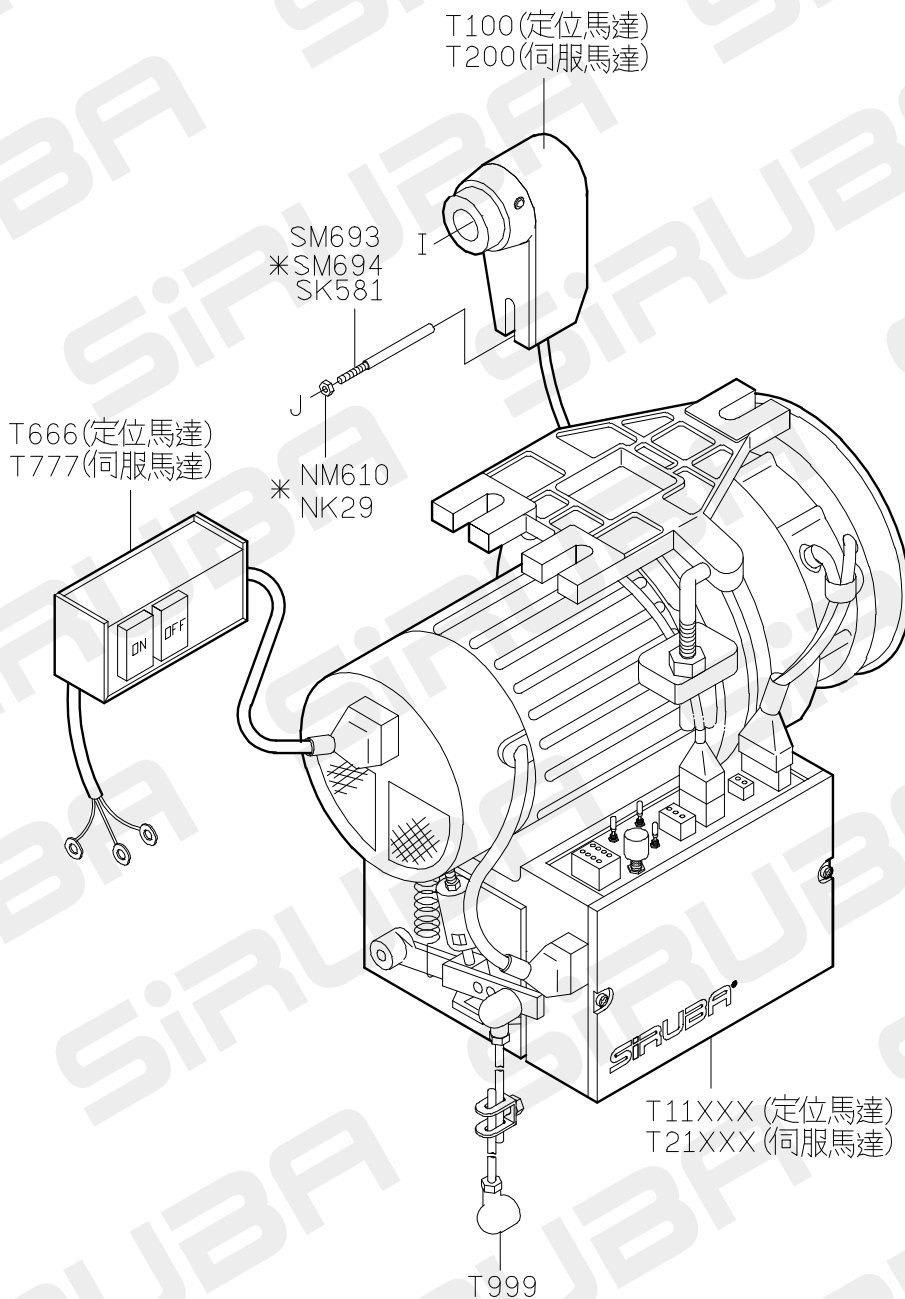


# VC008 PARTS LIST FOR VUT GROUP P.6/7



# VC008 PARTS LIST FOR VUT GROUP P.7/7

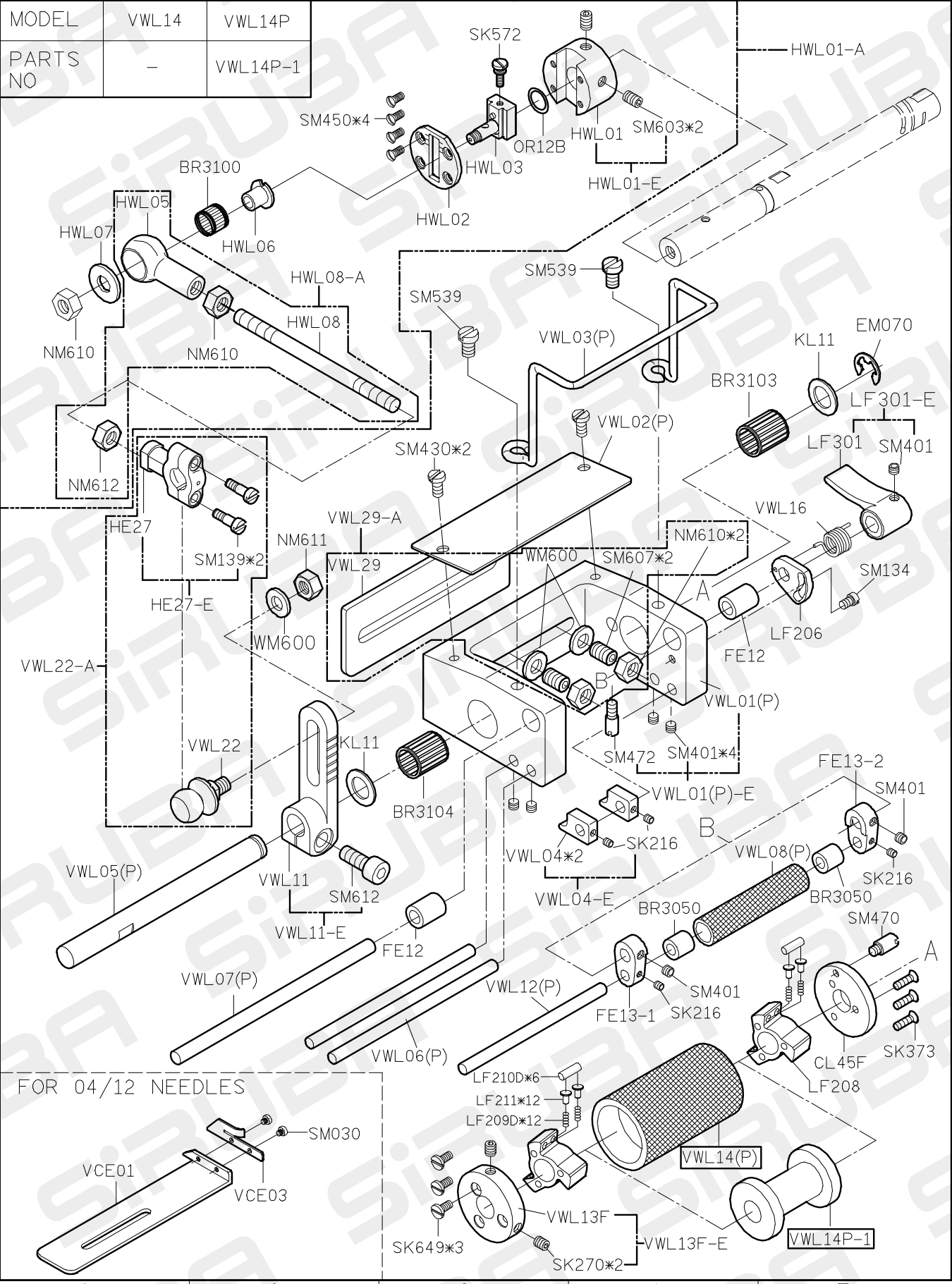
A  
B  
C  
D  
E



# VC008 PARTS LIST FOR VWL/VWLB GROUP P.1/4

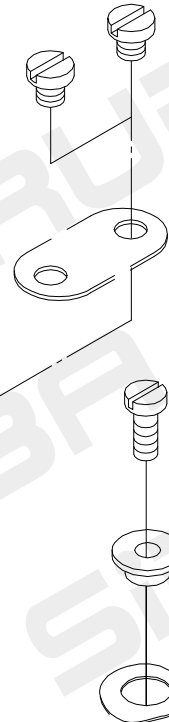
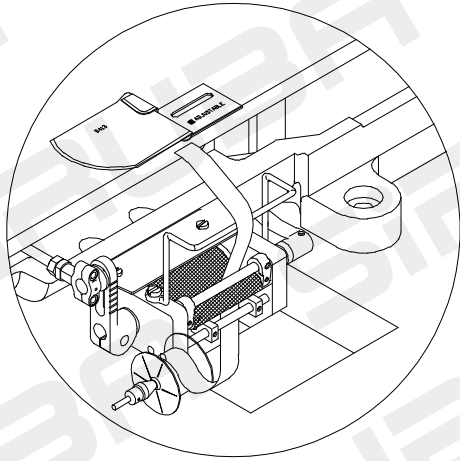
MODEL	VWL14	VWL14P
PARTS NO	-	VWL14P-1

A  
B  
C  
D  
E





# PARTS LIST FOR VWL GROUP P.2/4



B413 : 鬆緊帶最大寬度 1 1/2"

B413

ADJUSTABLE

VB14

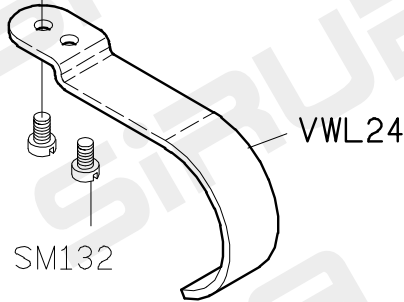
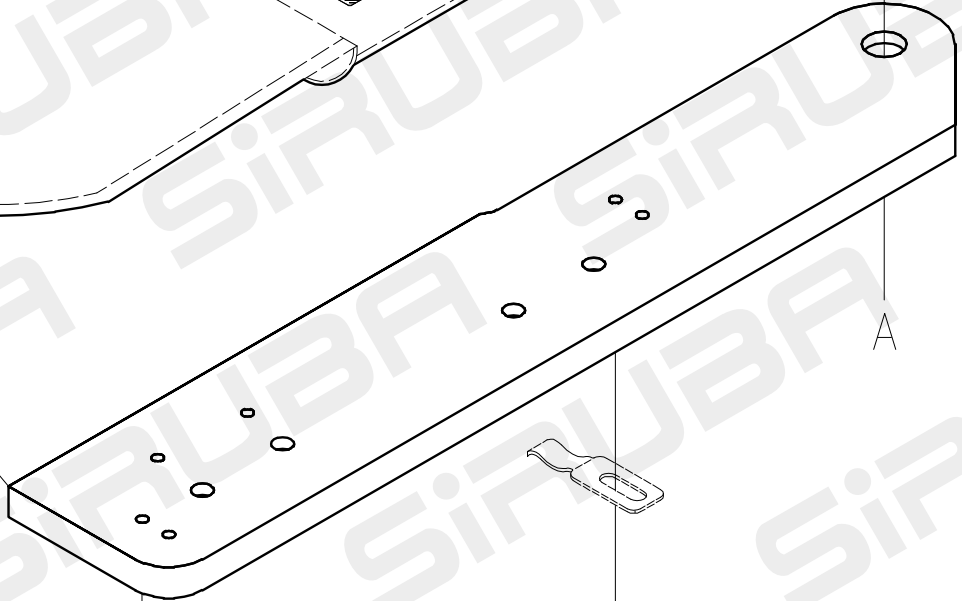
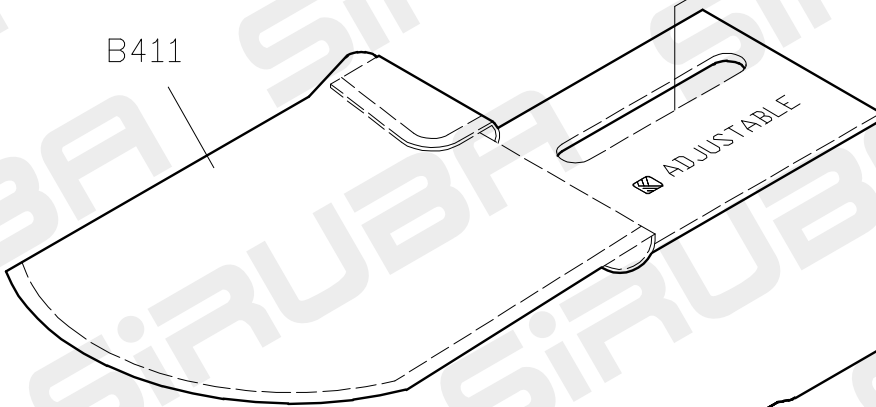
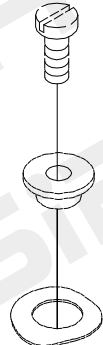
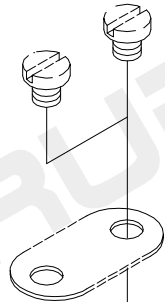
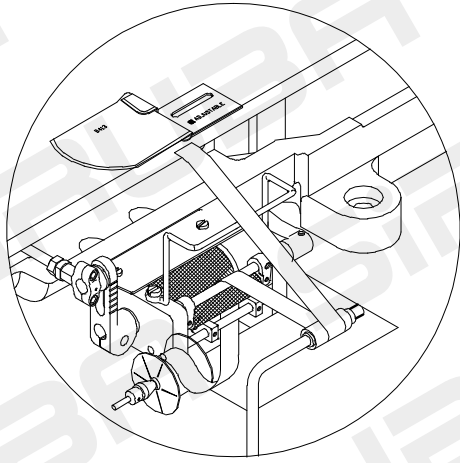
VB16-1

SM130

SM132

VWL24

# PARTS LIST FOR VWL GROUP P.3/4



零件編號 PARTS NO	成品尺寸 WIDTH AFTER BINDING	鬆緊帶尺寸 WIDTH BEFORE BINDING	機 型 MODEL
B411	33 mm	31 mm	VC008-095
B411P	30 mm	28 mm	VC008-085
B411Q	42 mm	40 mm	VC008-127
B411R	25 mm	23 mm	VC008-064
B411S	36 mm	34 mm	VC008-106

# VC008 PARTS LIST FOR VWLB GROUP P.4/4

