

MODEL : DDL-8700B-7

List No : 1650-02

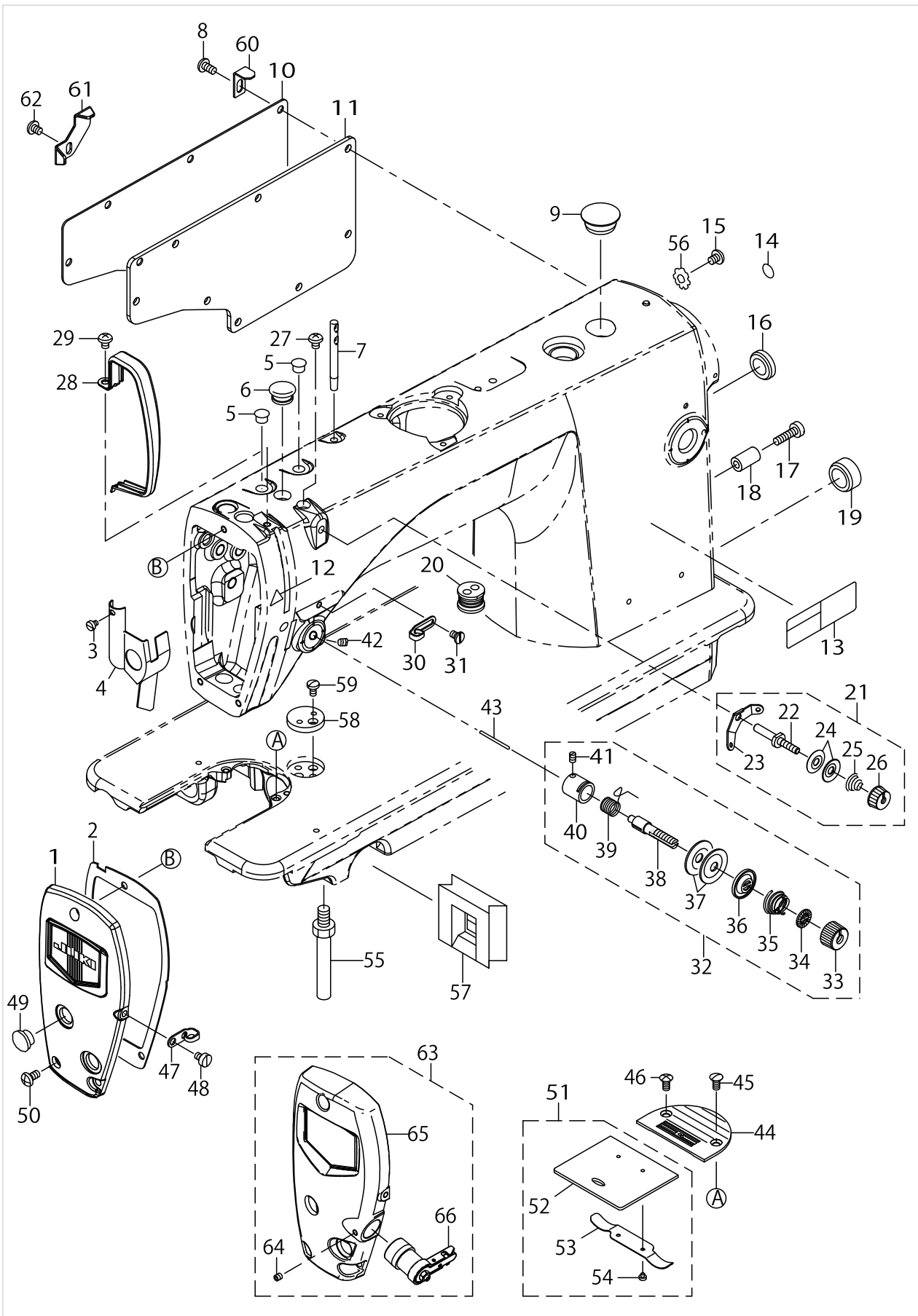
PARTS LIST

Published:05/07/2018

CONTENTS

| | |
|---|----|
| MACHINE FRAME & MISCELLANEOUS COVER COMPONENTS | 1 |
| BOBBIN WINDER COMPONENTS..... | 5 |
| MAIN SHAFT & THREAD TAKE-UP LEVER COMPONENTS | 7 |
| NEEDLE BAR, UPRIGHT SHAFT & HOOK DRIVING SHAFT COMPONENTS | 9 |
| HAND LIFTER COMPONENTS | 11 |
| FEED MECHANISM COMPONENTS..... | 13 |
| THREAD TRIMMER COMPONENTS | 17 |
| AUTOMATIC REVERSE FEED COMPONENTS..... | 21 |
| WIPER COMPONENTS..... | 23 |
| OIL LUBRICATION COMPONENTS | 25 |
| OIL RESERVOIR COMPONENTS | 27 |
| PSC UNIT..... | 29 |
| THREAD STAND COMPONENTS..... | 31 |
| EXCLUSIVE PARTS FOR M,H | 33 |
| EXCLUSIVE PARTS FOR J..... | 37 |
| LIST FOR INFORMATION OF CHANGE..... | 41 |
| HOW TO MAKE USE OF THIS PARTS LIST | 42 |

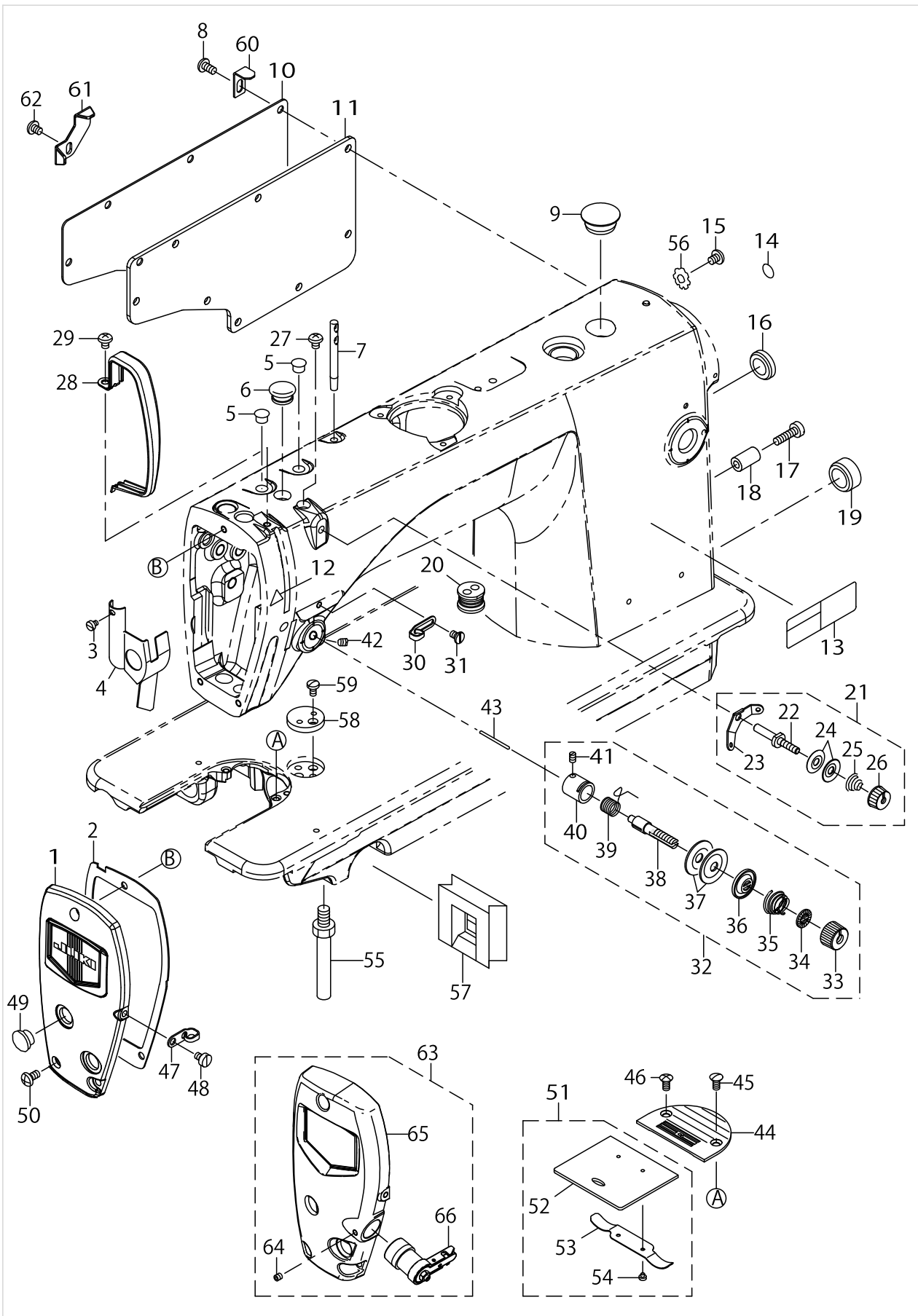
MACHINE FRAME & MISCELLANEOUS COVER COMPONENTS



MACHINE FRAME & MISCELLANEOUS COVER COMPONENTS

| No. | Parts No. | Parts name | Remarks | Level | Cons | Qty |
|-----|-------------|----------------------------|---------|-------|------|-----|
| 1 | 40102097 | FACE_PLATE_ASM. | | | | 1 |
| 2 | 40012126 | FACE PLATE PACKING | | | | 1 |
| 3 | SS6080410SP | SCREW 1/8-44 L=4 | | | | 1 |
| 4 | 22900757 | FACE PLATE OIL SHIELD ASM. | | | | 1 |
| 5 | TA0850604R0 | RUBBER PLUG | | | | 2 |
| 6 | TA1250705R0 | RUBBER PLUG | | | | 1 |
| 7 | 22958300 | NEEDLE THREAD GUIDE PIN | | | | 1 |
| 8 | SS4120925SP | SCREW 3/16-28 L=9 | | | | 8 |
| 9 | TA2100904R0 | RUBBER PLUG | | | | 1 |
| 10 | 22900401 | WINDOW PLATE | | | | 1 |
| 11 | 40012129 | SIDE PLATE PACKING | | | | 1 |
| 12 | CM300200001 | ATTENTION SEAL | | | | 2 |
| 13 | 40102261 | SAFETY_LABEL_S | | | | 1 |
| 14 | 22901805 | GROUND MARK | | | | 1 |
| 15 | SS4120615SP | SCREW 3/16-28 L=6 | | | | 1 |
| 16 | TA2000502R0 | RUBBER PLUG | | | | 1 |
| 17 | SS6121840SP | SCREW 3/16-28 L=18 | | | | 1 |
| 18 | 22952501 | BACK LEVER STOPPER | | | | 1 |
| 19 | TA2101002R0 | RUBBER PLUG | | | | 1 |
| 20 | 40111022 | MAGNET CORD RUBBER | | | | 1 |
| 21 | 22945463 | THREAD TENSION ASM. NO.1 | | | | 1 |
| 22 | 22945414 | THREAD TENSION POST | | * | | 1 |
| 23 | 22945604 | THREAD TENSION GUIDE | | * | | 1 |
| 24 | 22945802 | THREAD TENSION DISK | | * | | 2 |
| 25 | 22945505 | THREAD TENSION SPRING | | * | | 1 |
| 26 | 22945703 | THREAD TENSION NUT | | * | | 1 |
| 27 | SS4120615SP | SCREW 3/16-28 L=6 | | | | 1 |
| 28 | 22900609 | THREAD TAKE-UP LEVER COVER | | | | 1 |
| 29 | SS4120615SP | SCREW 3/16-28 L=6 | | | | 1 |
| 30 | 22920508 | ARM THREAD GUIDE A | | | | 1 |
| 31 | 22921001 | SCREW | | | | 1 |
| 32 | 22945356 | THREAD TENSION ASM. | | | | 1 |
| 33 | 22921308 | THREAD TENSION NUT | | * | | 1 |
| 34 | 22921407 | ROTATION STOPPER | | * | | 1 |
| 35 | 22921704 | THREAD TENSION SPRING A | | * | | 1 |
| 36 | 22921803 | DISK STOPPER | | * | | 1 |
| 37 | 22921506 | THREAD TENSION DISK | | * | | 2 |
| 38 | 22921209 | THREAD TENSION POST | | * | | 1 |
| 39 | 22921605 | THREAD TAKE-UP SPRING | | * | | 1 |
| 40 | 22945307 | THREAD TENSION POST BASE | | * | | 1 |
| 41 | SS8090670SP | SCREW 9/64-40 L=5.5 | | * | | 1 |
| 42 | SS8150710TP | SCREW 15/64-28 L=7 | | | | 1 |
| 43 | 22920904 | TENSION RELEASING | | | | 1 |
| 44 | B1109552000 | THROAT PLATE | | | | 1 |
| 45 | SS2110920TP | SCREW 11/64-40 L=8.5 | | | | 1 |
| 46 | SS2110915SP | SCREW 11/64-40 L=8.5 | | | | 1 |
| 47 | 22920607 | ARM THREAD GUIDE B | | | | 1 |

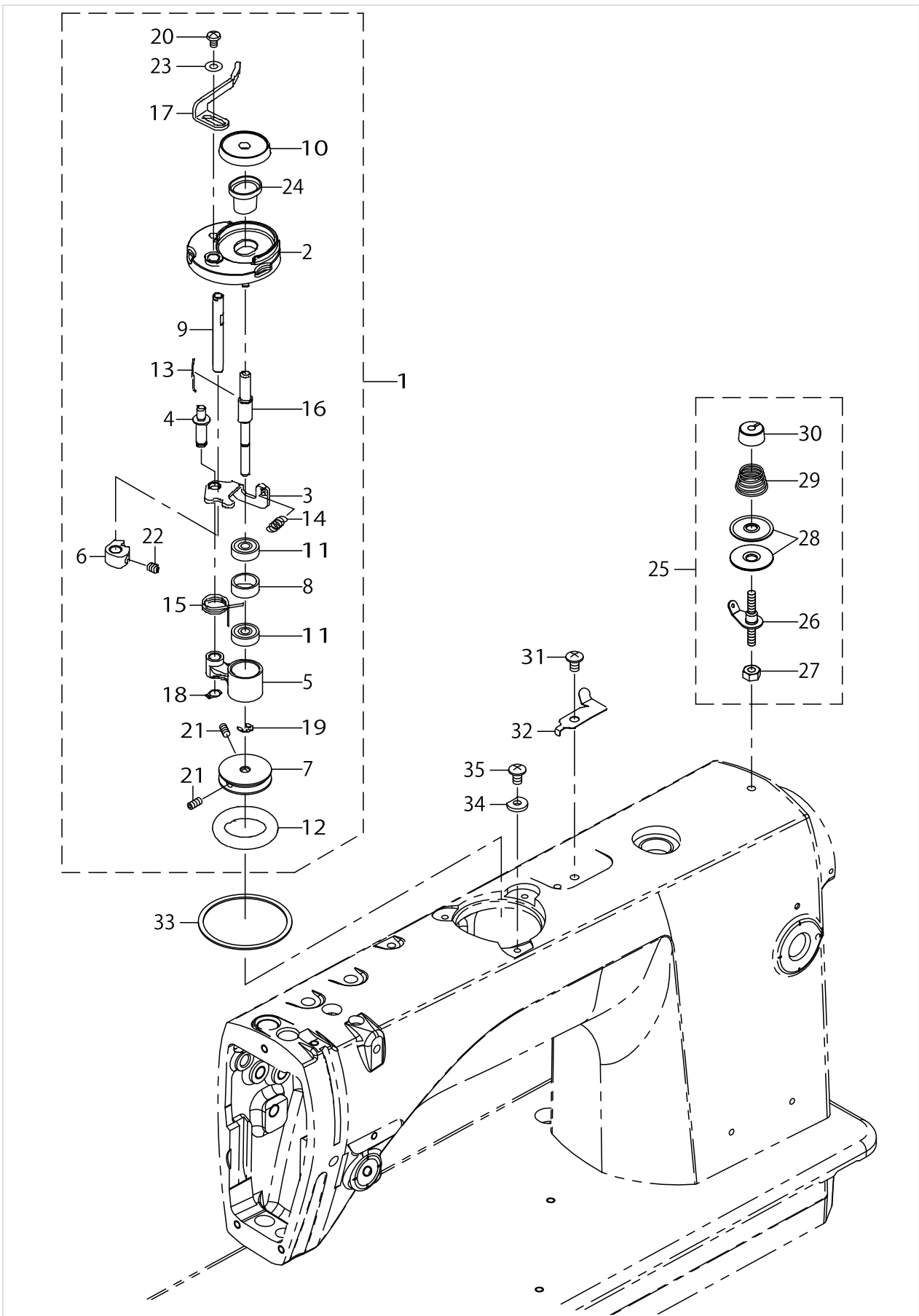
MACHINE FRAME & MISCELLANEOUS COVER COMPONENTS



MACHINE FRAME & MISCELLANEOUS COVER COMPONENTS

| No. | Parts No. | Parts name | Remarks | Level | Cons | Qty |
|-----|-------------|------------------------|---------|-------|------|-----|
| 48 | SS6110610TP | SCREW 11/64-40 L=6 | | | | 1 |
| 49 | TA1250406R0 | RUBBER PLUG D=12.5 L=4 | | | | 2 |
| 50 | SS4120925SP | SCREW 3/16-28 L=9 | | | | 3 |
| 51 | 22901250 | SLIDE PLATE ASM. | | | | 1 |
| 52 | 22901201 | SLIDE PLATE | | * | | 1 |
| 53 | 22901300 | SLIDE PLATE SPRING | | * | | 1 |
| 54 | SS6060210SP | SCREW 3/32-56 L= 1.9 | | * | | 2 |
| 55 | 22901003 | BED SCREW STUD | | | | 4 |
| 56 | WT0530002KS | TOOTHED WASHER D=5.3 | | | | 1 |
| 57 | 22935407 | BED OIL SHIELD RUBBER | | | | 1 |
| 58 | 40099083 | RULER STOP SEAT | | | | 1 |
| 59 | SS7110720SP | SCREW 11/64-40 L=7 | | | | 2 |
| 60 | 40126308 | CORD_CLAMP | | | | 1 |
| 61 | 40111896 | CORD_CLAMP | | | | 1 |
| 62 | SS4120615SP | SCREW 3/16-28 L=6 | | | | 1 |
| 63 | 40140080 | FACE_PLATE_ASSY | FOR N | | | 1 |
| 64 | SM8040402TP | SCREW M4X0.7 L=4 | | * | | 1 |
| 65 | 40139752 | FACE_PLATE | | * | | 1 |
| 66 | 40139786 | THREAD_NIPPER_ASSY | | * | | 1 |

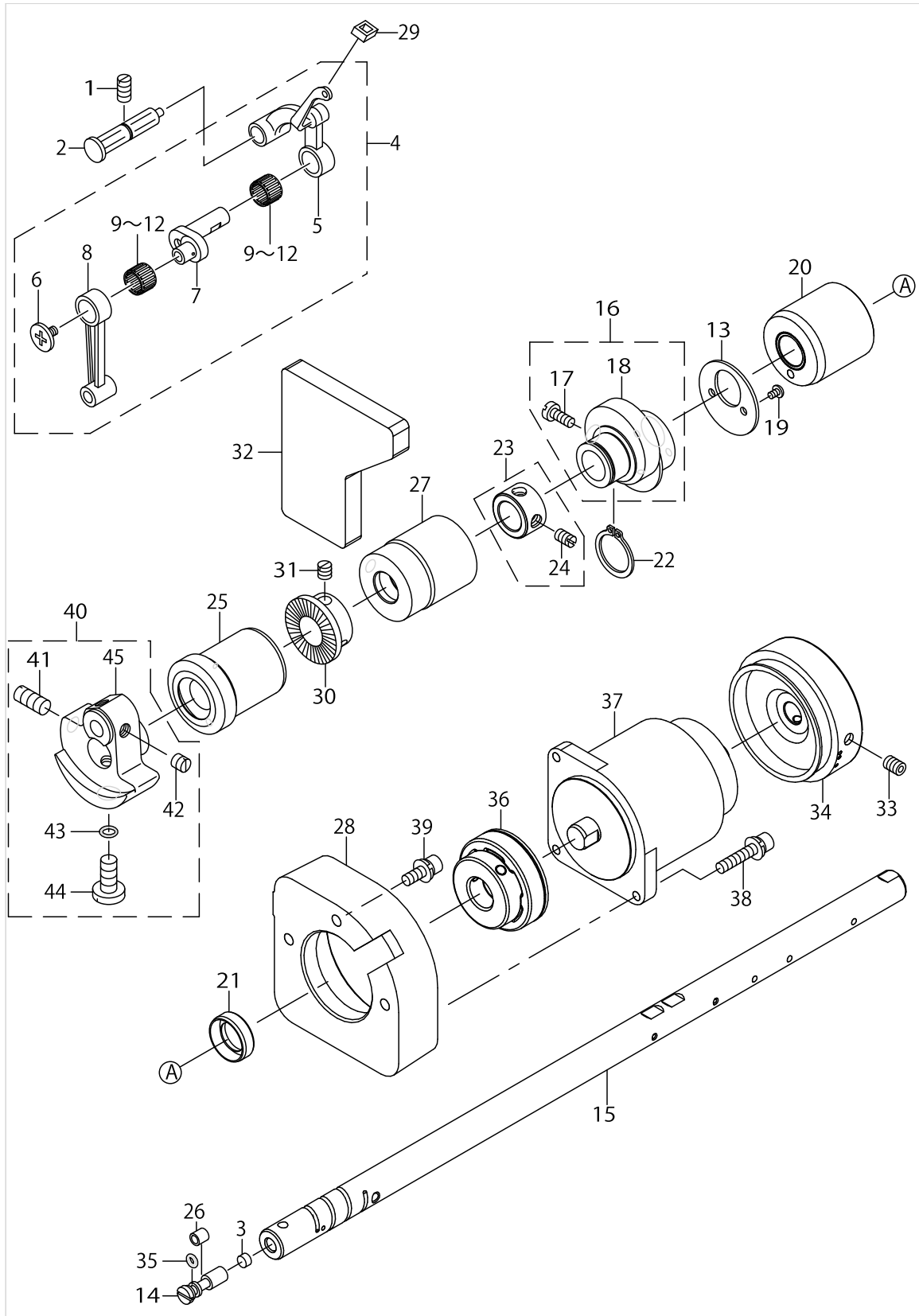
BOBBIN WINDER COMPONENTS



BOBBIN WINDER COMPONENTS

| No. | Parts No. | Parts name | Remarks | Level | Cons | Qty |
|-----|-------------|----------------------------|---------|-------|------|-----|
| 1 | 40110976 | BOBBIN_WINDER_UNIT | | | | 1 |
| 2 | 26260109 | BTW_BASE | | * | | 1 |
| 3 | 26260208 | BTW_CAM_PLATE | | * | | 1 |
| 4 | 26260307 | BTW_BASE_SHAFT | | * | | 1 |
| 5 | 26260406 | BTW_SHAFT_BASE | | * | | 1 |
| 6 | 26260505 | BTW_CAM_LEVER | | * | | 1 |
| 7 | 26260604 | BTW_WHEEL | | * | | 1 |
| 8 | 26260802 | BTW_BEARING_SPACER | | * | | 1 |
| 9 | 26261008 | BTW_LEVER_SHAFT | | * | | 1 |
| 10 | 26261206 | BTW_SPACER | | * | | 1 |
| 11 | 26261305 | BTW_BEARING | | * | | 2 |
| 12 | 26261503 | BTW_WHEEL_RUBBER | | * | | 1 |
| 13 | 26261602 | BOBBIN_SPRING | | * | | 1 |
| 14 | 26261701 | BTW_SPRING | | * | | 1 |
| 15 | 40011144 | BTW_TORSION_SPRING | | * | | 1 |
| 16 | 40110975 | BTW_SHAFT | | * | | 1 |
| 17 | 40021933 | BTW_LEVER | | * | | 1 |
| 18 | RC0560711KP | RETAINING RING | | * | | 1 |
| 19 | RE0400000K0 | E-RING 4 | | * | | 1 |
| 20 | SM5040655SN | SCREW | | * | | 1 |
| 21 | SM8040802TP | SCREW M4X8 | | * | | 2 |
| 22 | SM8050502TP | SCREW M5 L=5 | | * | | 1 |
| 23 | WP0450826SC | WASHER 4.5X10X0.8 | | * | | 1 |
| 24 | 40119475 | OIL_GUARD | | * | | 1 |
| 25 | 40110731 | BOBBIN_THREAD_TENSION_ASSY | | | | 1 |
| 26 | 40110734 | BOBBIN_THREAD_ROD_ASSY | | * | | 1 |
| 27 | NS6120630SP | NUT 3/16-28 | | * | | 1 |
| 28 | 22921506 | THREAD TENSION DISK | | * | | 2 |
| 29 | D7133555B00 | CONNECTING ROD SPRING | | * | | 1 |
| 30 | 22945703 | THREAD TENSION NUT | | * | | 1 |
| 31 | SM0050801SC | SCREW | | | | 1 |
| 32 | 40037008 | THREAD_CUTTER | | | | 1 |
| 33 | 22538706 | PACKING | | | | 1 |
| 34 | 40113241 | BTW SPACER | | | | 3 |
| 35 | SM0050801SC | SCREW | | | | 3 |

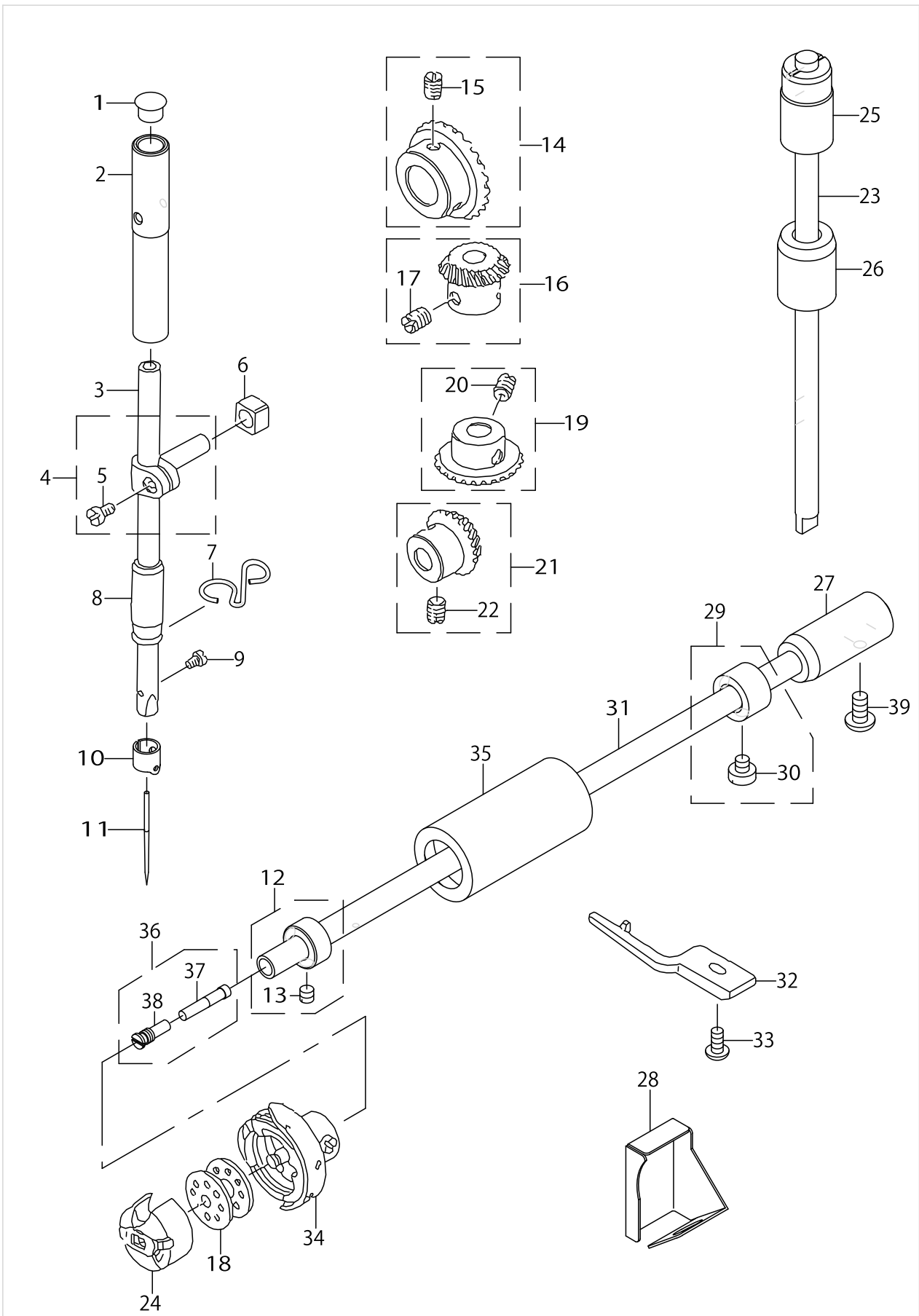
MAIN SHAFT & THREAD TAKE-UP LEVER COMPONENTS



MAIN SHAFT & THREAD TAKE-UP LEVER COMPONENTS

| No. | Parts No. | Parts name | Remarks | Level | Cons | Qty |
|-----|-------------|---------------------------------|-----------------|-------|------|-----|
| 1 | SS8151150TP | SCREW 15/64-28 L=10.5 | | | | 1 |
| 2 | 22919559 | THREAD TAKE-UP CRANK SHAFT ASM. | | | | 1 |
| 3 | 11002904 | ROLLER FELT | | | | 1 |
| 4 | 22918072 | THREAD TAKE-UP LEVER COMPL. | | | | 1 |
| 5 | 22918064 | THREAD TAKE-UP LEVER ASM. | | * | | 1 |
| 6 | 22918304 | LEFT SCREW | | * | | 1 |
| 7 | 22918106 | NEEDLE BAR CRANK | | * | | 1 |
| 8 | 22906606 | NEEDLE BAR CRANK ROD | | * | | 1 |
| 9 | 22918403 | NEEDLE BEARING A | SELECTIVE PARTS | * | | 2 |
| 10 | 22918502 | NEEDLE BEARING B | SELECTIVE PARTS | * | | 2 |
| 11 | 22918601 | NEEDLE BEARING C | SELECTIVE PARTS | * | | 2 |
| 12 | 22918700 | NEEDLE BEARING D | SELECTIVE PARTS | * | | 2 |
| 13 | 22910103 | THRUST COLLAR | | | | 1 |
| 14 | 22903900 | ADJUSTING PIN | | | | 1 |
| 15 | 40110977 | MAIN_SHAFT | | | | 1 |
| 16 | 22910053 | FEED DRIVE ECCENTRIC CAM ASM. | | | | 1 |
| 17 | SS6661110SP | SCREW 1/4-40 L=11 | | * | | 2 |
| 18 | 22910004 | FEED DRIVE ECCENTRIC CAM | | * | | 1 |
| 19 | SS4090615SP | SCREW 9/64-40 L=6 | | | | 2 |
| 20 | 40110978 | MAIN_SHAFT_BUSHING | | | | 1 |
| 21 | 40086740 | OIL SEAL | | | | 1 |
| 22 | RC1850001KP | SNAP RING 18.5 | | | | 1 |
| 23 | 40137504 | THRUST_COLLAR_ASM | | | | 1 |
| 24 | SS8660610TP | SCREW 1/4-40 L=6 | | * | | 2 |
| 25 | 22903207 | MAIN SHAFT BUSHING FRONT | | | | 1 |
| 26 | B1215552000 | OIL ADJUSTING COLLAR | | | | 1 |
| 27 | 22903306 | BUSHING INTERMEDIATE | | | | 1 |
| 28 | 40110979 | MAIN_MOTOR_BASE_76 | | | | 1 |
| 29 | 22919203 | OIL PROTECTING RUBBER | | | | 1 |
| 30 | 22538805 | DRIVING WHEEL | | | | 1 |
| 31 | SS8660610TP | SCREW 1/4-40 L=6 | | | | 2 |
| 32 | 40111424 | FILTER | | | | 1 |
| 33 | SM80608A2TP | SCREW M6 L=8 | | | | 2 |
| 34 | 40111872 | HAND_PULLEY | | | | 1 |
| 35 | RO029180100 | RUBBER RING | | | | 1 |
| 36 | 40111025 | COUPLING_ASM. | | | | 1 |
| 37 | 40140419 | SERVO MOTOR | | | | 1 |
| 38 | SL6052592TN | BOLT | | | | 3 |
| 39 | SL6051492TN | BOLT | | | | 3 |
| 40 | 40110390 | COUNTER_WEIGHT_ASM. | | | | 1 |
| 41 | SS8681650TP | SCREW 9/32-28 L=16 | | * | | 1 |
| 42 | SS8660610TP | SCREW 1/4-40 L=6 | | * | | 2 |
| 43 | RO044240100 | RUBBER RING | | * | | 1 |
| 44 | SS7681650TP | SCREW 9/32-28 L=16 | | * | | 1 |
| 45 | 40110376 | COUNTER_WEIGHT | | * | | 1 |

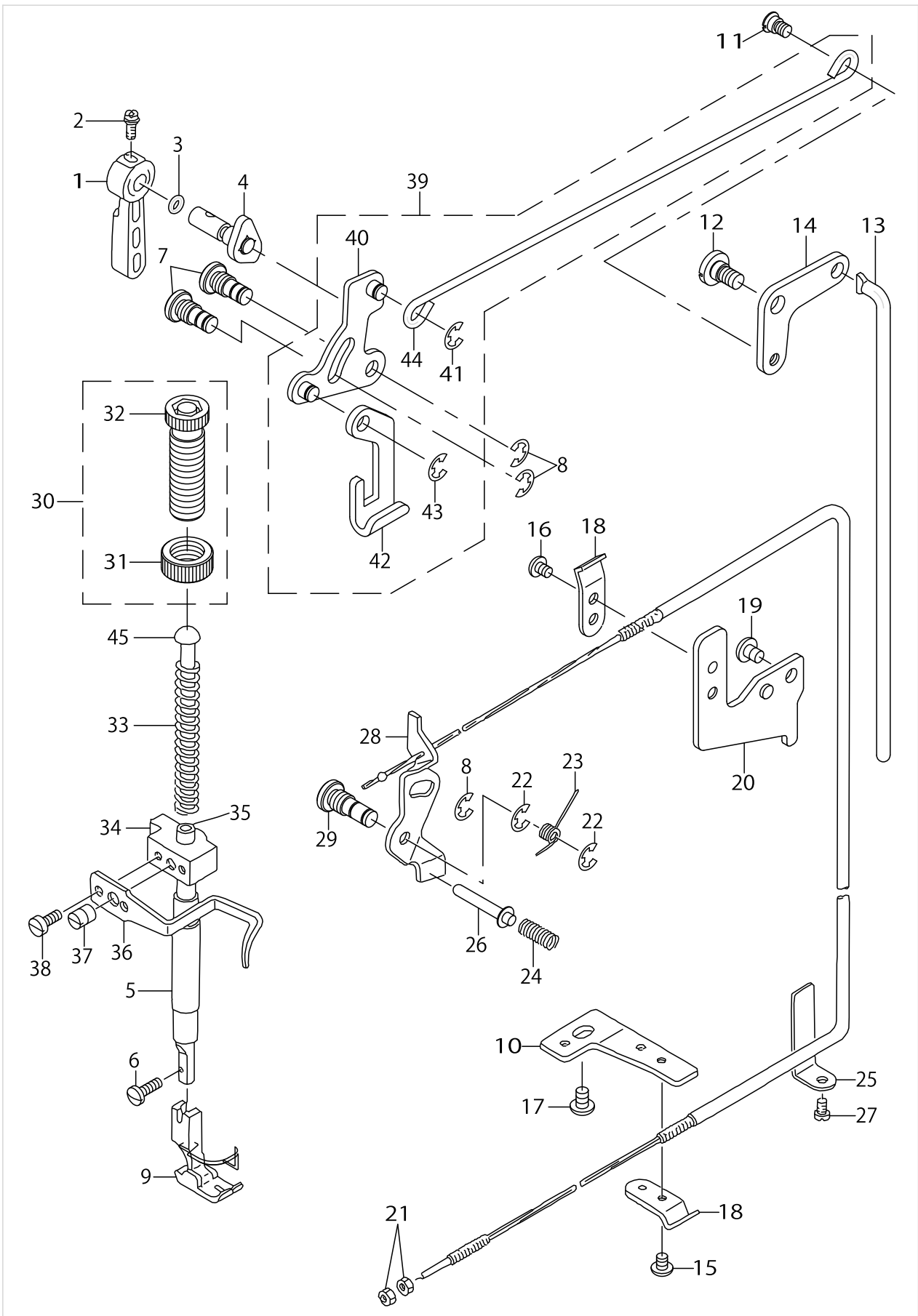
NEEDLE BAR, UPRIGHT SHAFT & HOOK DRIVING SHAFT COMPONENTS



NEEDLE BAR, UPRIGHT SHAFT & HOOK DRIVING SHAFT COMPONENTS

| No. | Parts No. | Parts name | Remarks | Level | Cons | Qty |
|-----|-------------|-------------------------------|---------|-------|------|-----|
| 1 | TA0850604R0 | RUBBER PLUG | | | | 1 |
| 2 | 22906101 | NEEDLE BAR BUSHING UPPER | | | | 1 |
| 3 | 22939508 | NEEDLE BAR | | | | 1 |
| 4 | 22906457 | NEEDLE BAR HOLDER ASM. | | | | 1 |
| 5 | SS6090670TP | SCREW 9/64-40 L=6 | | * | | 1 |
| 6 | 40090058 | SLIDE BLOCK | | | | 1 |
| 7 | 40141523 | NEEDLE BAR THREAD GUIDE P | | | | 1 |
| 8 | 22906200 | NEEDLE BAR BUSHING LOWER | | | | 1 |
| 9 | SS7080510TP | SCREW 1/8-44 L=4.5 | | | | 1 |
| 10 | 22906309 | NEEDLE BAR THREAD GUIDE | | | | 1 |
| 11 | MDB100B1400 | NEEDLE DBX1 #14 | | | | 1 |
| 12 | 22917058 | THRUST COLLAR ASM. FRONT | | | | 1 |
| 13 | SS8110410TP | SCREW 11/64-40 L= 3.5 | | * | | 2 |
| 14 | 40090002 | UPPER LARGE BEVEL GEAR ASM. | | | | 1 |
| 15 | SS8660810TP | SCREW 1/4-40 L=8 | | * | | 2 |
| 16 | 40090003 | UPPER SMALL BEVEL GEAR ASM. | | | | 1 |
| 17 | SS8660810TP | SCREW 1/4-40 L=8 | | * | | 2 |
| 18 | 22932909 | BOBBIN | | | | 1 |
| 19 | 40090004 | LOWER LARGE BEVEL GEAR ASM. | | | | 1 |
| 20 | SS8660810TP | SCREW 1/4-40 L=8 | | * | | 2 |
| 21 | 40090005 | LOWER SMALL BEVEL GEAR ASM. | | | | 1 |
| 22 | SS8660810TP | SCREW 1/4-40 L=8 | | * | | 2 |
| 23 | 22905004 | UPRIGHT SHAFT | | | | 1 |
| 24 | 11038759 | BOBBIN CASE ASM. | | | | 1 |
| 25 | 22905103 | UPRIGHT SHAFT BUSHING UPPER | | | | 1 |
| 26 | 22905202 | UPRIGHT SHAFT BUSHING LOWER | | | | 1 |
| 27 | 22916308 | HOOK DRIVING SHAFT BUSH REAR | | | | 1 |
| 28 | 22942601 | OIL SHIELD | | | | 1 |
| 29 | 22917157 | THRUST COLLAR ASM. REAR | | | | 1 |
| 30 | SS6110420TP | SCREW 11/64-40 L=4.8 | | * | | 2 |
| 31 | 22916001 | HOOK DRIVING SHAFT | | | | 1 |
| 32 | 22942502 | INNER HOOK PRESSER | | | | 1 |
| 33 | SS4110915TP | SCREW 11/64-40 L=9 | | | | 1 |
| 34 | 11038650 | HOOK ASM. | | | | 1 |
| 35 | 22916100 | HOOK DRIVING SHAFT BUSH FRONT | | | | 1 |
| 36 | 22916555 | OIL SEAL SCREW ASM. | | | | 1 |
| 37 | 11015906 | OIL WICK | | * | | 1 |
| 38 | 22916506 | SET SCREW | | * | | 1 |
| 39 | SS4120925SP | SCREW 3/16-28 L=9 | | | | 1 |

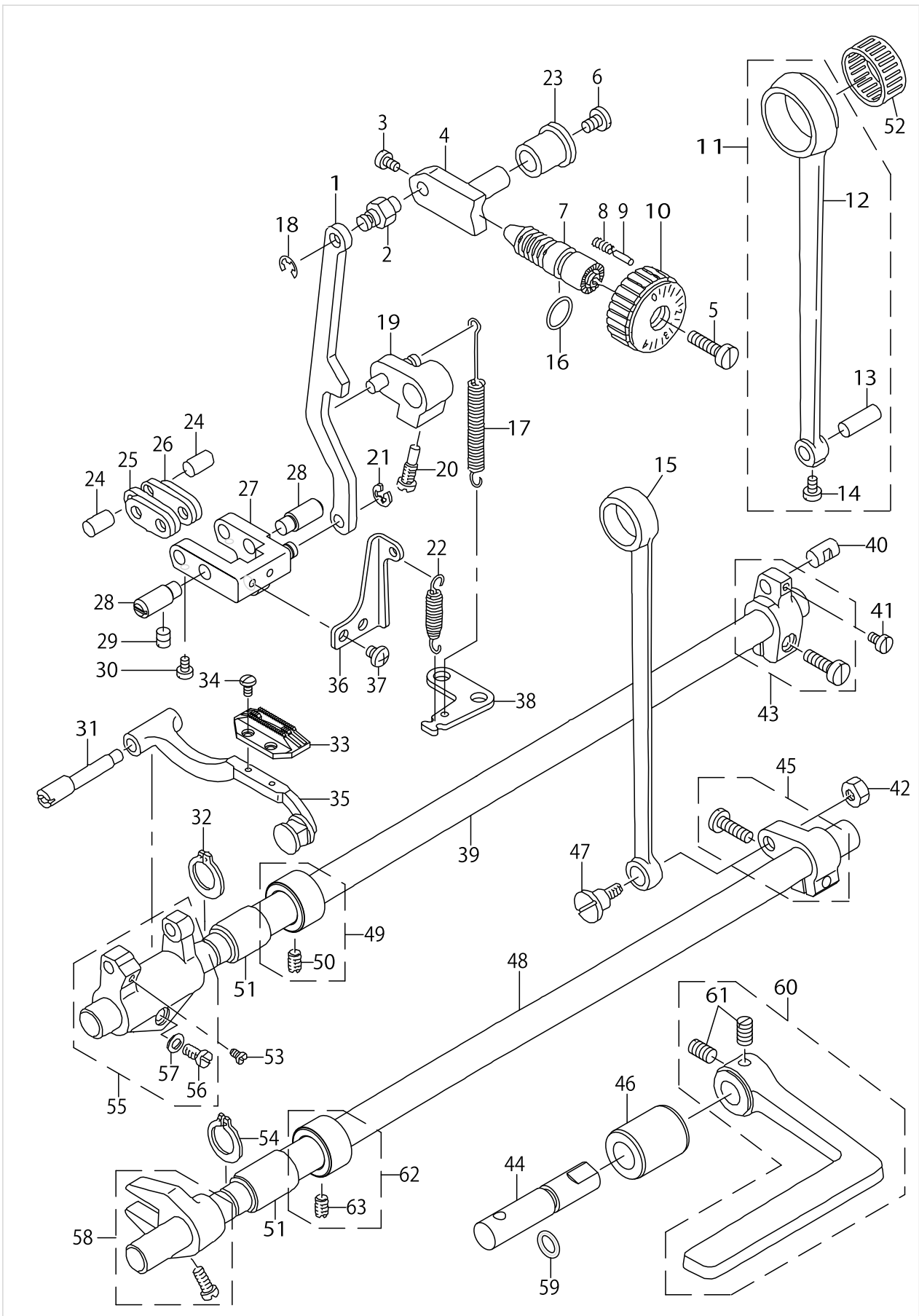
HAND LIFTER COMPONENTS



HAND LIFTER COMPONENTS

| No. | Parts No. | Parts name | Remarks | Level | Cons | Qty |
|-----|-------------|---------------------------------|----------|-------|------|-----|
| 1 | 22907802 | HAND LIFTER | | | | 1 |
| 2 | B1521555000 | SCREW | | | | 1 |
| 3 | RO037180100 | RUBBER RING | | | | 1 |
| 4 | 22908552 | HAND LIFTER CAM ASM. | | | | 1 |
| 5 | 40060989 | PRESSER BAR BUSHING LOWER | | | | 1 |
| 6 | SS7091110TP | SCREW 9/64-40 L=10.5 | | | | 1 |
| 7 | 22908701 | LINK SHAFT | | | | 2 |
| 8 | RE0500000K0 | E-RING | | | | 3 |
| 9 | B15240120BA | PRESSER FOOT ASM. | | | | 1 |
| 10 | 22944706 | WIRE PRESSER BASE LOWER | | | | 1 |
| 11 | 22908909 | HINGE SCREW | | | | 1 |
| 12 | SD0720331SP | HINGE SCREW D= 7.24 H= 3.3 | | | | 1 |
| 13 | 22909006 | KNEE LIFTER CONNECTING ROD | | | | 1 |
| 14 | 22908800 | KNEE LIFTER LINK | | | | 1 |
| 15 | SS4110515SP | SCREW 11/64-40 L=5 | | | | 1 |
| 16 | SS4110515SP | SCREW 11/64-40 L=5 | | | | 1 |
| 17 | SS4150915SP | SCREW 15/64-28 L=9 | | | | 1 |
| 18 | 22944508 | WIRE PRESSER A | | | | 2 |
| 19 | SS4120615SP | SCREW 3/16-28 L=6 | | | | 1 |
| 20 | 22944607 | WIRE PRESSER BASE UPPER | | | | 1 |
| 21 | NS6620310SP | NUT 3/16-32 | | | | 2 |
| 22 | RE0500000K0 | E-RING | | | | 2 |
| 23 | 22920201 | RETURN SPRING | | | | 1 |
| 24 | 22920409 | THREAD RELEASE PIN SPRING | | | | 1 |
| 25 | 22945109 | WIRE CABLE SUPPORT | | | | 1 |
| 26 | 22920300 | THREAD RELEASE SUPPORTING PIN | | | | 1 |
| 27 | SS4120615SP | SCREW 3/16-28 L=6 | | | | 1 |
| 28 | 22944854 | THREAD RELEASE WIRE ASM. | | | | 1 |
| 29 | 22920102 | TENSION RELEASE SHAFT | | | | 1 |
| 30 | 22907554 | PRESSER SPRING REGULATOR ASM.¥n | | | | 1 |
| 31 | 22907604 | PRESSER SPRING REGULATOR NUT | | * | | 1 |
| 32 | 22907505 | PRESSER SPRING REGULATOR | | * | | 1 |
| 33 | 22907406 | PRESSER SPRING | | | | 1 |
| 34 | 40098388 | PRESSER BAR GUIDE BRACKET | | | | 1 |
| 35 | 40017805 | PRESSER BAR | | | | 1 |
| 36 | 22907307 | THREAD GUIDE | EXCEPT H | | | 1 |
| 37 | SS8660810TP | SCREW 1/4-40 L=8 | | | | 1 |
| 38 | SS6090910SP | SCREW 9/64-40 L=9 | | | | 2 |
| 39 | 22908354 | KNEE LIFTING CROSS ROD ASM. | | | | 1 |
| 40 | 22908156 | LIFTING LINK ASM. | | * | | 1 |
| 41 | RE0500000K0 | E-RING | | * | | 1 |
| 42 | 22908008 | LIFTING PLATE | | * | | 1 |
| 43 | RE0500000K0 | E-RING | | * | | 1 |
| 44 | 22908305 | KNEE LIFTER SIDE ROD | | * | | 1 |
| 45 | 22907703 | PRESSER GUIDE BAR | | | | 1 |

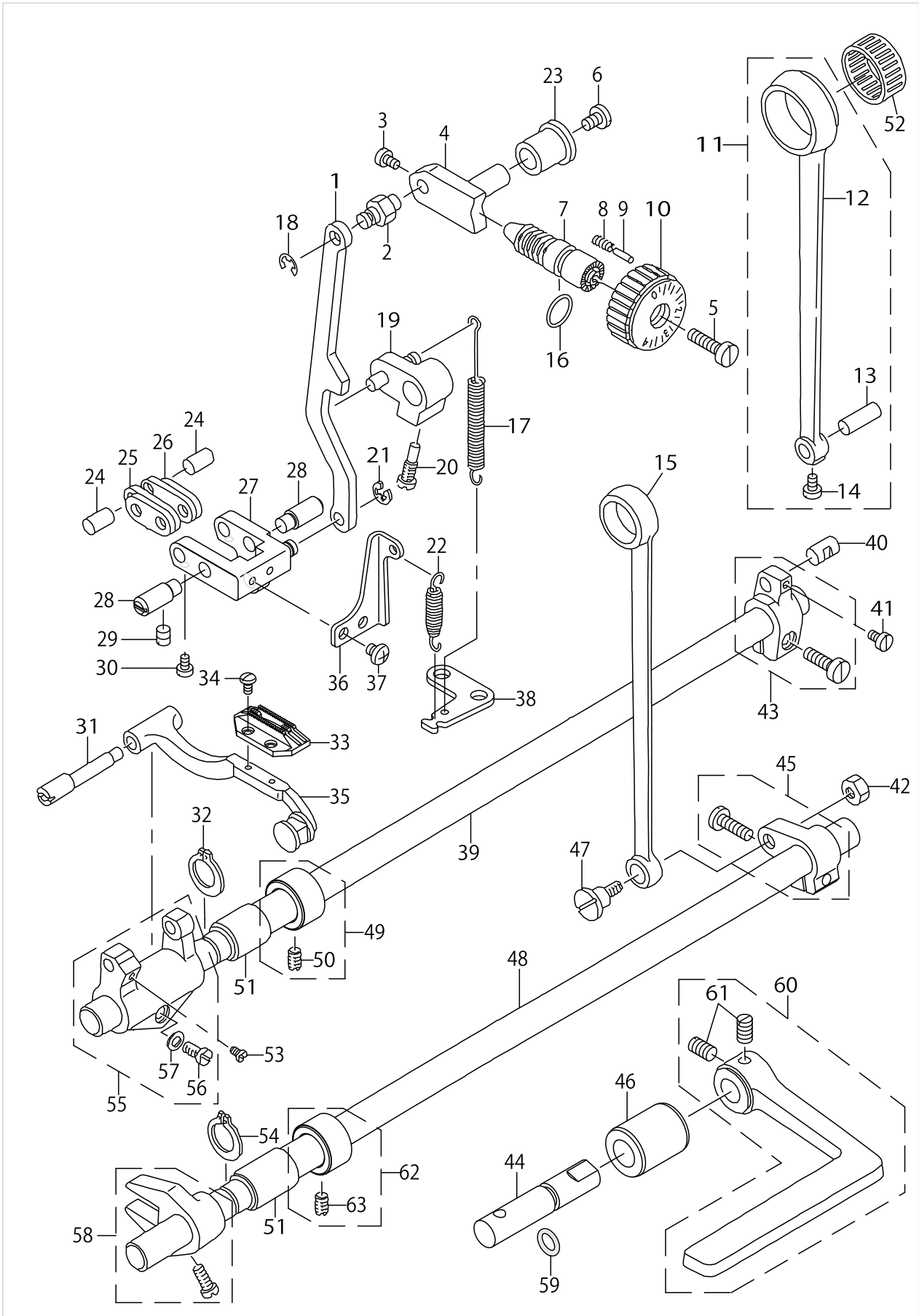
FEED MECHANISM COMPONENTS



FEED MECHANISM COMPONENTS

| No. | Parts No. | Parts name | Remarks | Level | Cons | Qty |
|-----|-------------|-----------------------------|----------|-------|------|-----|
| 1 | 22941108 | FEED ADJUST ROD | | | | 1 |
| 2 | 22911507 | WALKING FOOT PIN C | EXCEPT H | | | 1 |
| 3 | SS6090670TP | SCREW 9/64-40 L=6 | | | | 2 |
| 4 | 22911606 | FEED REGULATOR | | | | 1 |
| 5 | SS6121860SP | SCREW 3/16-28 L=18 | | | | 1 |
| 6 | SS7120770SH | SCREW 3/16-28 L=7 | | | | 1 |
| 7 | 22911804 | FEED REGULATOR SCREW | | | | 1 |
| 8 | 22912109 | FEED REGULATOR PIN SPRING | | | | 1 |
| 9 | 22912000 | FEED REGULATOR PIN | | | | 1 |
| 10 | 22940506 | FEED DIAL | | | | 1 |
| 11 | 22910251 | CONNECTING ROD ASM. | | | | 1 |
| 12 | 22910202 | ROCKER SHAFT CONNECTING ROD | | * | | 1 |
| 13 | 22911101 | WALKING FOOT PIN C | | * | | 1 |
| 14 | SS6090620TP | SCREW | | * | | 1 |
| 15 | 22915003 | CONNECTING ROD | | | | 1 |
| 16 | RO092270200 | RUBBER RING | | | | 1 |
| 17 | 11010311 | LEVER SPRING | | | | 1 |
| 18 | RE0500000K0 | E-RING | | | | 1 |
| 19 | 22912257 | FEED REVERSE ARM ASM. | | | | 1 |
| 20 | 22912505 | FEED REVERSE ARM SCREW | | | | 1 |
| 21 | RE0500000K0 | E-RING | | | | 1 |
| 22 | 11037405 | SPRING | EXCEPT H | | | 1 |
| 23 | 11009800 | FEED REGULATOR BUSHING | | | | 1 |
| 24 | 22910905 | WALKING FOOT PIN A | | | | 2 |
| 25 | 40089548 | CONNECTING LINK B | | | | 2 |
| 26 | 40093417 | CONNECTING LINK A | | | | 2 |
| 27 | 22940951 | FEED ADJUST LINK ASM. | | | | 1 |
| 28 | 22910806 | ADJUST LINK FULCRUM SHAFT A | | | | 2 |
| 29 | SS8150710TP | SCREW 15/64-28 L=7 | | | | 2 |
| 30 | SS6090620TP | SCREW | | | | 2 |
| 31 | 40101462 | FEED BASE SHAFT | | | | 1 |
| 32 | RC0150001KP | RETAINING RING 13.8 | | | | 1 |
| 33 | B1613012I00 | FEED DOG I | | | | 1 |
| 34 | SS4080620TP | SCREW 1/8-44 L=6 | | | | 2 |
| 35 | 22940753 | FEED BAR ASM. | | | | 1 |
| 36 | 22941306 | REGULATOR LINK SPRING HOOK | | | | 1 |
| 37 | SS4110515SP | SCREW 11/64-40 L=5 | | | | 2 |
| 38 | 22913701 | FEED SPRING HOOK | EXCEPT H | | | 1 |
| 39 | 40102124 | FEED ROCKER SHAFT | | | | 1 |
| 40 | 22911002 | WALKING FOOT PIN B | | | | 1 |
| 41 | SS6090620TP | SCREW | | | | 1 |
| 42 | NS6680410SP | NUT 9/32-28 | | | | 1 |
| 43 | 40110379 | ASSY_FEED_ROCKER_ARM | | | | 1 |
| 44 | 40100812 | FEED LEVER SHAFT | | | | 1 |
| 45 | 40109422 | FEED_ARM_ASM | | | | 1 |
| 46 | 22912802 | FEED LEVER SHAFT BUSHING | | | | 1 |
| 47 | SD1000801SH | HINGE SCREW D=10 H=8 | | | | 1 |

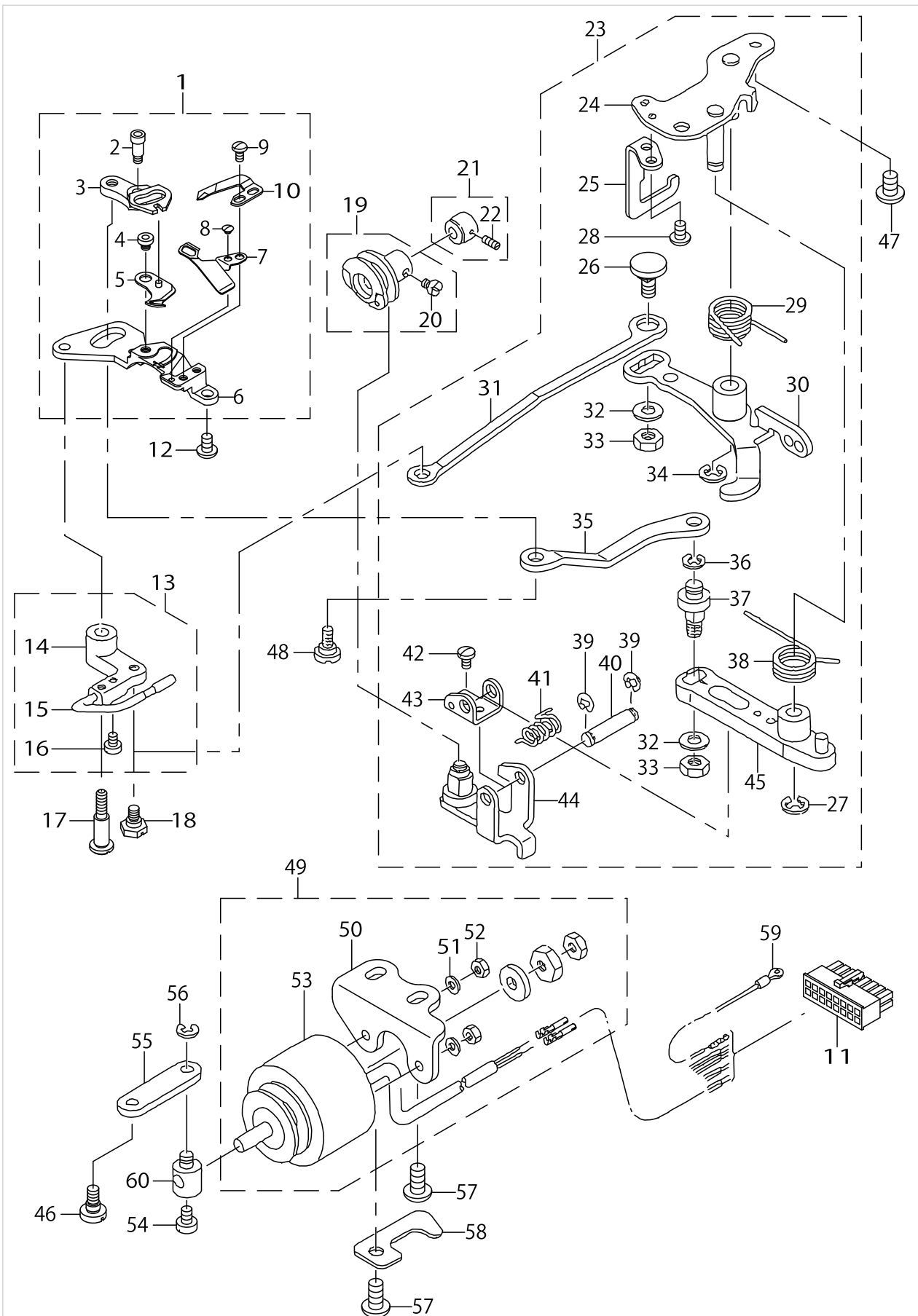
FEED MECHANISM COMPONENTS



FEED MECHANISM COMPONENTS

| No. | Parts No. | Parts name | Remarks | Level | Cons | Qty |
|-----|-------------|---------------------------|---------|-------|------|-----|
| 48 | 22915201 | FEED DRIVING SHAFT | | | | 1 |
| 49 | 40137504 | THRUST_COLLAR_ASM | | | | 1 |
| 50 | SS8660610TP | SCREW 1/4-40 L=6 | | * | | 2 |
| 51 | 22913008 | FEED ROCKER SHAFT BUSHING | | | | 2 |
| 52 | 40111897 | BEARING | | | | 1 |
| 53 | SS7110740TP | SCREW 11/64-40 L=7 | | | | 1 |
| 54 | RC0150001KP | RETAINING RING 13.8 | | | | 1 |
| 55 | 22940654 | FEED ROCKER ASM. | | | | 1 |
| 56 | SS7121410TP | SCREW 3/16-28 L=14 | | * | | 1 |
| 57 | WP0480856SP | WASHER 4.8X8.4X0.8 | | * | | 1 |
| 58 | 22915359 | DRIVING SHAFT CRANK ASM. | | | | 1 |
| 59 | RO078190100 | RUBBER RING | | | | 1 |
| 60 | 40102264 | FEED_REVER_ASM. | | | | 1 |
| 61 | SM8061010TP | SCREW | | * | | 2 |
| 62 | 40137504 | THRUST_COLLAR_ASM | | | | 1 |
| 63 | SS8660610TP | SCREW 1/4-40 L=6 | | * | | 2 |

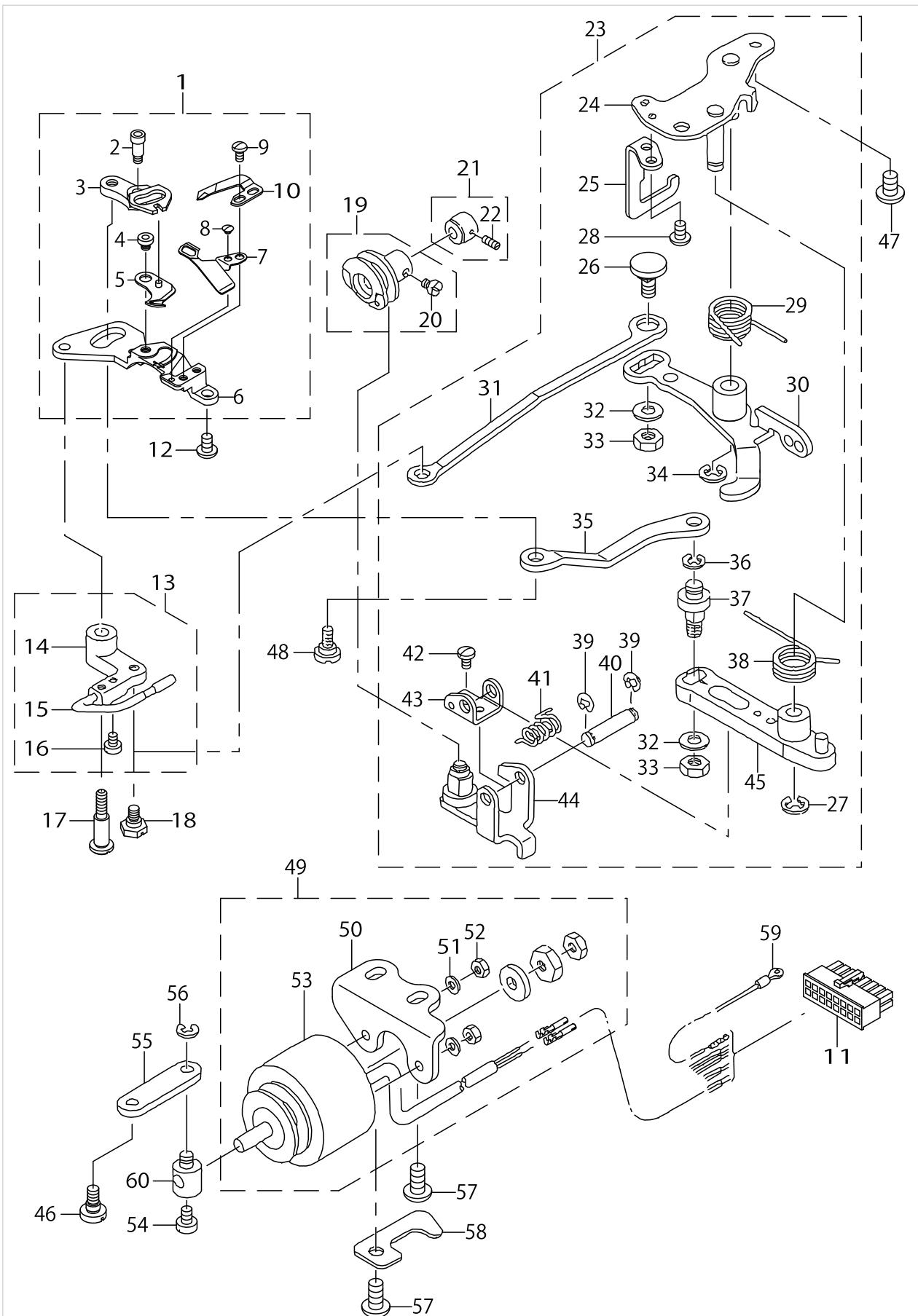
THREAD TRIMMER COMPONENTS



THREAD TRIMMER COMPONENTS

| No. | Parts No. | Parts name | Remarks | Level | Cons | Qty |
|-----|-------------|-----------------------------|---------|-------|------|-----|
| 1 | 40130579 | KNIFE UNIT | | | | 1 |
| 2 | SD0460703TP | HINGE SCREW D=4.6 H=7 | | * | | 1 |
| 3 | 22948202 | FORKED BASE FOR KNIFE | | * | | 1 |
| 4 | 11040409 | MOVING KNIFE HINGE SCREW | | * | | 1 |
| 5 | 11040052 | MOVING KNIFE ASM. | | * | | 1 |
| 6 | 40130580 | KNIFE INSTALLING BASE | | * | | 1 |
| 7 | 22947808 | THREAD GUIDE FOR KNIFE | | * | | 1 |
| 8 | SS2060210SP | SCREW 3/32-56 L=2.3 | | * | | 1 |
| 9 | SS4080620TP | SCREW 1/8-44 L=6 | | * | | 2 |
| 10 | D2406555D0H | COUNTER KNIFE | | * | | 1 |
| 11 | HK034610140 | HOUSING 14P | | | | 1 |
| 12 | SS4110715SP | SCREW 11/64-40 L=7 | | | | 1 |
| 13 | 22950257 | PICKER ARM ASM. | | | | 1 |
| 14 | 22950208 | PICKER ARM | | * | | 1 |
| 15 | 22950356 | HOOK THREAD PRESSER ASM. | | * | | 1 |
| 16 | SS6090510TP | SCREW 9/64-40 L= 5.0 | | * | | 2 |
| 17 | SD0641451SP | HINGE SCREW D= 6.35 H=14.5 | | | | 1 |
| 18 | SD0630275SP | HINGE SCREW D= 6.35 H= 2.7 | | | | 1 |
| 19 | 22950851 | THREAD TRIMMER CAM ASM.¥n | | | | 1 |
| 20 | SS6660610TP | SCREW 1/4-40 L=6 | | * | | 2 |
| 21 | 22950950 | CAM COLLAR ASM. | | | | 1 |
| 22 | SS8110520TP | SCREW 11/64-40 L= 4.5 | | * | | 1 |
| 23 | 22949762 | THREAD TRIMMER DRIVING UNIT | | | | 1 |
| 24 | 22949754 | BASE PLATE ASM. | | * | | 1 |
| 25 | 22950703 | DRIVING ARM STOPPER | | * | | 1 |
| 26 | 22950000 | PICKER LINK PIN | | * | | 1 |
| 27 | RE0600000K0 | E-RING 6 | | * | | 1 |
| 28 | SS4110715SP | SCREW 11/64-40 L=7 | | * | | 2 |
| 29 | 22949408 | CLUTCH SPRING | | * | | 1 |
| 30 | 40087245 | CLUTCH PLATE ASM. | | * | | 1 |
| 31 | 22950109 | PICKER LINK | | * | | 1 |
| 32 | WP0621016SH | WASHER | | * | | 2 |
| 33 | NS6150430SP | NUT 15/64-28 | | * | | 2 |
| 34 | RE0600000K0 | E-RING 6 | | * | | 1 |
| 35 | 22948301 | MOVING KNIFE LINK | | * | | 1 |
| 36 | RE0500000K0 | E-RING | | * | | 1 |
| 37 | 22948400 | MOVING KNIFE LINK PIN | | * | | 1 |
| 38 | 22949309 | KNIFE RETURN SPRING B | | * | | 1 |
| 39 | RE0400000K0 | E-RING 4 | | * | | 2 |
| 40 | 22949101 | ROLLER FULCRUM SHAFT | | * | | 1 |
| 41 | 22949200 | ROLLER RETURN SPRING | | * | | 1 |
| 42 | SS7090610SP | SCREW 9/64-40 L=6 | | * | | 1 |
| 43 | 22949002 | ROLLER ARM SEAT | | * | | 1 |
| 44 | 11040953 | ROLLER ARM ASM. | | * | | 1 |
| 45 | 11040854 | KNIFE DRIVING ARM ASM. | | * | | 1 |
| 46 | SD0600361SP | HINGE SCREW D=6 H=3.6 | | | | 1 |
| 47 | SS4150915SP | SCREW 15/64-28 L=9 | | | | 2 |

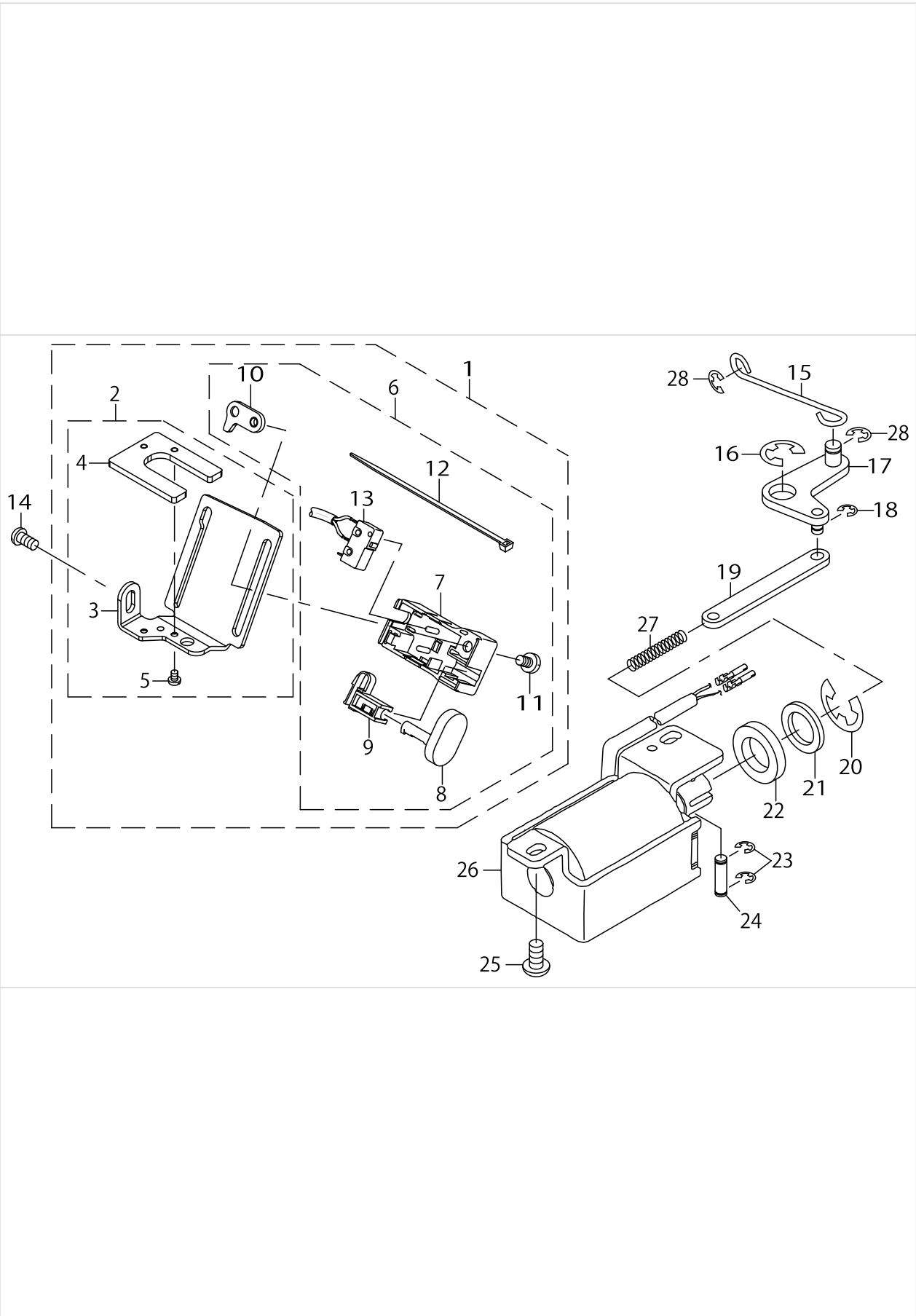
THREAD TRIMMER COMPONENTS



THREAD TRIMMER COMPONENTS

| No. | Parts No. | Parts name | Remarks | Level | Cons | Qty |
|-----|-------------|------------------------------|---------|-------|------|-----|
| 48 | SD0640631TP | HINGE SCREW D=6.35 H=6.3 | | | | 1 |
| 49 | 40111031 | THREAD TRIMMER SOLENOID ASM. | | | | 1 |
| 50 | 22951404 | SOLENOID BASE | | * | | 1 |
| 51 | WS0410002KR | SPRING WASHER M4 | | * | | 2 |
| 52 | NM6040001SE | NUT M4 | | * | | 2 |
| 53 | 40110995 | THREAD TRIMMER SOLENOID | | * | | 1 |
| 54 | SS6110710TP | SCREW 11/64-40 L=6.5 | | | | 1 |
| 55 | 22949903 | CLUTCH LINK | | | | 1 |
| 56 | RE0500000K0 | E-RING | | | | 1 |
| 57 | SS4151215SP | SCREW 15/64-28 L=12 | | | | 2 |
| 58 | 22924807 | PIPE HOLDER LOWER | | | | 1 |
| 59 | 40112907 | GROUND WIRE ASM. | | | | 1 |
| 60 | 22951008 | SOLENOID PIN | | | | 1 |

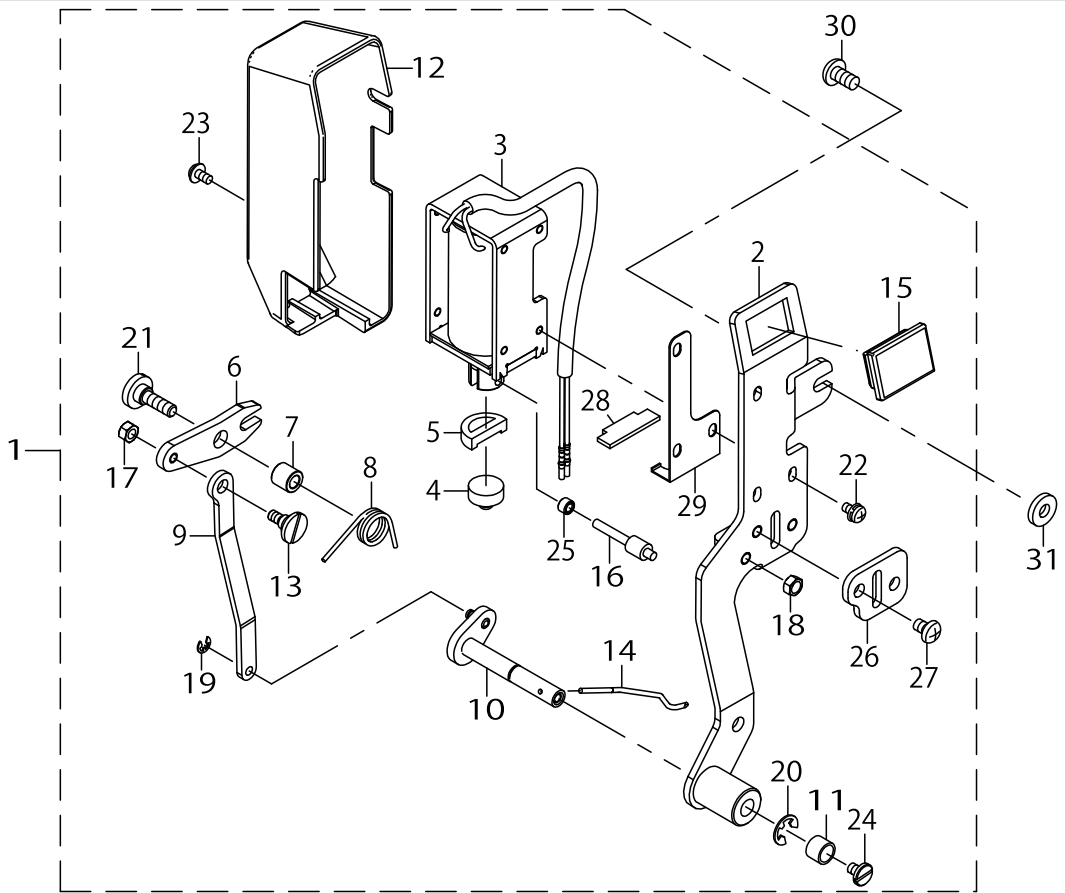
AUTOMATIC REVERSE FEED COMPONENTS



AUTOMATIC REVERSE FEED COMPONENTS

| No. | Parts No. | Parts name | Remarks | Level | Cons | Qty |
|-----|-------------|--------------------------------|---------|-------|------|-----|
| 1 | 40139754 | BT_SW_LED_ASSY | | | | 1 |
| 2 | 40140189 | LED_BASE_ASSY | | * | | 1 |
| 3 | 40139771 | LED_BASE | | * | | 1 |
| 4 | 40139772 | LED | | * | | 1 |
| 5 | 40140191 | LED_SCREW | | * | | 2 |
| 6 | 40140491 | BT_SWITCH_UNIT | | * | | 1 |
| 7 | 23631708 | REVERSE FEED SWITCH COVER | | * | | 1 |
| 8 | 23631807 | REVERSE FEED SWITCH SHAFT | | * | | 1 |
| 9 | 23631906 | REVERSE FEED SWITCH SUPPORT | | * | | 1 |
| 10 | 23632102 | REVERSE FEED SWITCH BASE GUIDE | | * | | 1 |
| 11 | SS7110740TP | SCREW 11/64-40 L=7 | | * | | 1 |
| 12 | EA9500B0100 | CABLE BAND | | * | | 1 |
| 13 | 40140492 | REVERSE_FEED_CORD_ASSY | | * | | 1 |
| 14 | SS4120615SP | SCREW 3/16-28 L=6 | | | | 1 |
| 15 | 11101300 | REVERSE FEED CONNECTING SHAFT | | | | 1 |
| 16 | RE0900000K0 | E-RING 9 | | | | 1 |
| 17 | 22953657 | CONNECTING ARM ASM. | | | | 1 |
| 18 | RE0400000KP | E-RING 4 | | | | 1 |
| 19 | 22953905 | REVERSE FEED CONNECTING LINK | | | | 1 |
| 20 | RE1200000K0 | E-RING 12 | | | | 1 |
| 21 | WP1602616SZ | WASHER 16X24X2.6 | | | | 1 |
| 22 | 22953400 | RUBBER PLUNGER | | | | 1 |
| 23 | RE0400000K0 | E-RING 4 | | | | 2 |
| 24 | 22953509 | PLUNGER ARM PIN | | | | 1 |
| 25 | SS4151215SP | SCREW 15/64-28 L=12 | | | | 2 |
| 26 | 40130594 | REVERSE_FEED_SOLENOID | | | | 1 |
| 27 | 22954002 | PLUNGER SPRING | | | | 1 |
| 28 | RE0500000KP | E-RING 5 | | | | 2 |

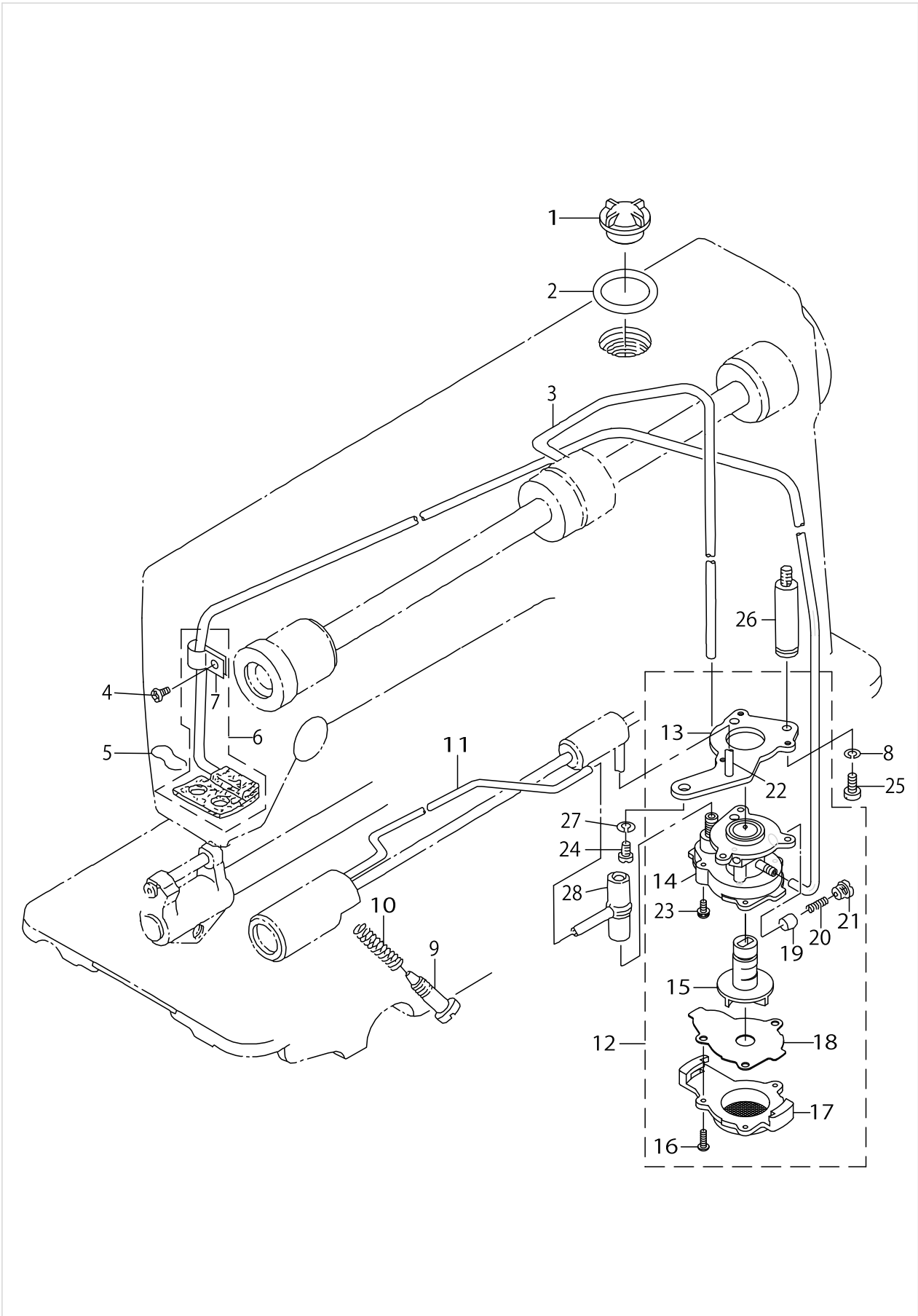
WIPER COMPONENTS



WIPER COMPONENTS

| No. | Parts No. | Parts name | Remarks | Level | Cons | Qty |
|-----|-------------|----------------------------|---------|-------|------|-----|
| 1 | 40140992 | WIPER_ASSY | | | | 1 |
| 2 | 40140994 | WIPER_BASE_ASSY | | * | | 1 |
| 3 | 40110999 | WIPER SOLENOID | | * | | 1 |
| 4 | 22955900 | WIPER RUBBER A | | * | | 1 |
| 5 | 22956007 | WIPER RUBBER B | | * | | 1 |
| 6 | 22956106 | WIPER LINK A | | * | | 1 |
| 7 | 22956205 | WIPER HINGE SCREW COLLAR | | * | | 1 |
| 8 | 22956304 | WIPER SPRING | | * | | 1 |
| 9 | 22956403 | WIPER LINK B | | * | | 1 |
| 10 | 40041419 | WIPER LINK C ASM. | | * | | 1 |
| 11 | 22956809 | WIPER COLLAR | | * | | 1 |
| 12 | 22955504 | WIPER COVER | | * | | 1 |
| 13 | 22956908 | WIPER LINK B HINGE SCREW | | * | | 1 |
| 14 | 40140991 | WIPER | | * | | 1 |
| 15 | 40086678 | WIPER_SW_RUBBER | | * | | 1 |
| 16 | 40077852 | WIPER SOLENOID SHAFT | | * | | 1 |
| 17 | NS6090310SP | NUT 9/64-40 | | * | | 1 |
| 18 | NS6110310SP | NUT 11/64-40 | | * | | 1 |
| 19 | RE0250000K0 | E-RING 2.5 | | * | | 1 |
| 20 | RE0500000K0 | E-RING | | * | | 1 |
| 21 | SD0650321TP | HINGE SCREW D=6.5 H=3.2 | | * | | 1 |
| 22 | SL4030641SE | SCREW | | * | | 3 |
| 23 | SL4030691SC | SCREW M3 L=6 | | * | | 1 |
| 24 | SS6090540SP | SCREW 9/64-40 L= 5.0 | | * | | 1 |
| 25 | 22957203 | WIPER LINK COLLAR | | * | | 1 |
| 26 | 40077851 | WIPER SOLENOID SHAFT GUIDE | | * | | 1 |
| 27 | SS4110615SP | SCREW 11/64-40 L=6 | | * | | 2 |
| 28 | 40086679 | WIPER_STOPPER_RUBBER | | * | | 1 |
| 29 | 40037500 | RUBBER HOLDER | | * | | 1 |
| 30 | SS4120925SP | SCREW 3/16-28 L=9 | | | | 1 |
| 31 | WP0482086SD | WASHER 4.8X11.5X2 | | | | 1 |

OIL LUBRICATION COMPONENTS



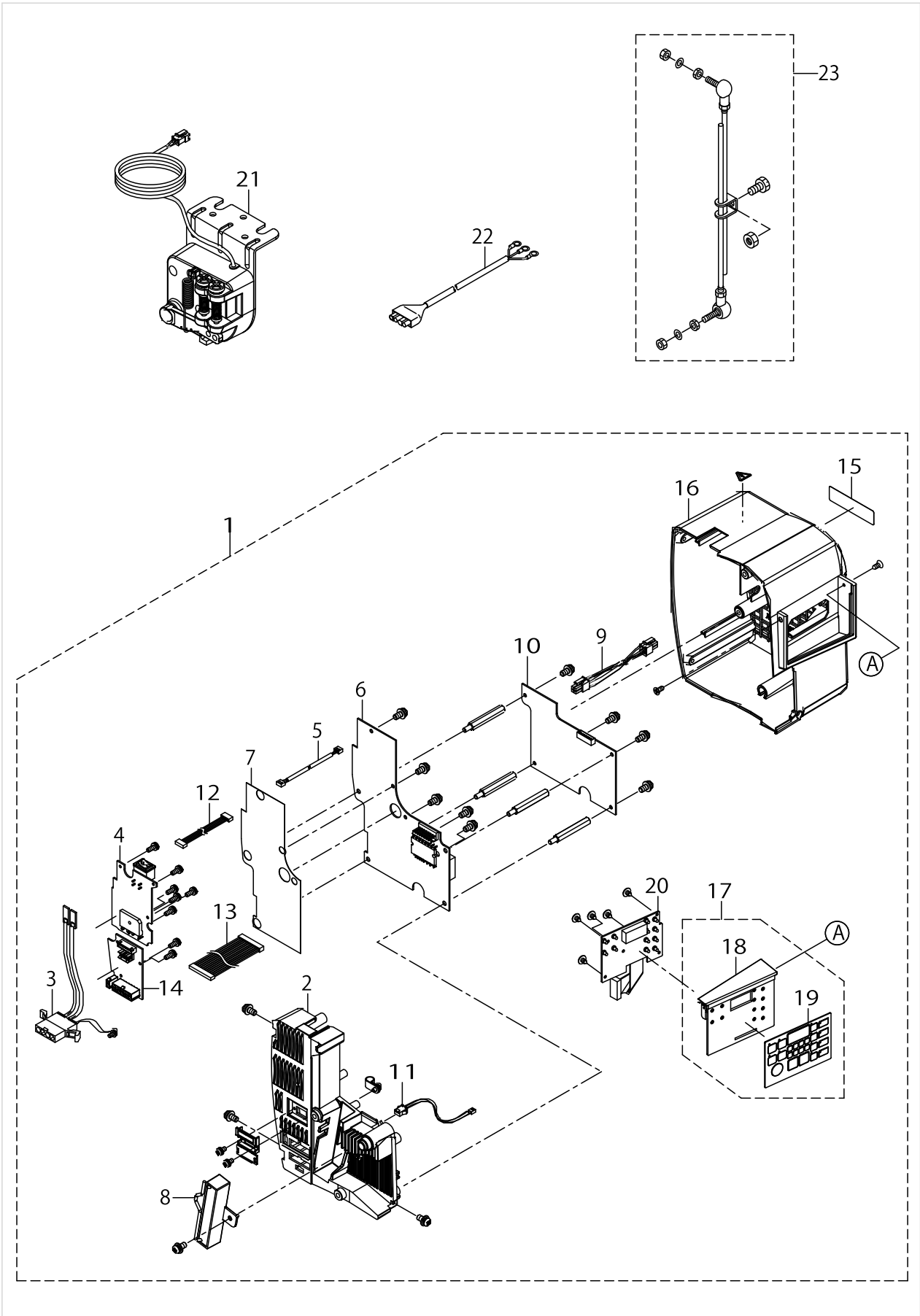
OIL LUBRICATION COMPONENTS

| No. | Parts No. | Parts name | Remarks | Level | Cons | Qty |
|-----|-------------|-----------------------------|---------|-------|------|-----|
| 1 | 22924708 | OIL SIGHT WINDOW | | | | 1 |
| 2 | RO195240100 | RUBBER RING | | | | 1 |
| 3 | 22924401 | MAIN SHAFT OIL TUBE | | | | 1 |
| 4 | SS4120615SP | SCREW 3/16-28 L=6 | | | | 1 |
| 5 | 22925101 | OIL FELT PRESSER | | | | 1 |
| 6 | 22924153 | OIL RETURN TUBE ASM. | | | | 1 |
| 7 | 22924302 | HOLDER | | * | | 1 |
| 8 | WS0451040KP | SPRING WASHER 4.5X8.5X1 | | | | 0.3 |
| 9 | 22925002 | OIL ADJUSTING SCREW | | | | 1 |
| 10 | 22924906 | SPRING | | | | 1 |
| 11 | 22924500 | OIL TUBE | | | | 1 |
| 12 | 22923056 | LUBRICATING OIL PUMP ASM. | | | | 1 |
| 13 | 22923312 | OIL PUMP INSTALLING BASE | | * | | 1 |
| 14 | 22923015 | OIL PUMP | | * | | 1 |
| 15 | 22923700 | OIL PUMP IMPELLER | | * | | 1 |
| 16 | SE4301041SR | SCREW D=3 L=10 | | * | | 1 |
| 17 | 22923205 | LUBRICATING OIL PUMP COVER | | * | | 1 |
| 18 | 22923809 | OIL PUMP IMPELLER COVER | | * | | 1 |
| 19 | 22923403 | PLUNGER | | * | | 1 |
| 20 | 22923601 | PLUNGER SPRING | | * | | 1 |
| 21 | 22923502 | PLUNGER SCREW | | * | | 1 |
| 22 | 22923908 | HOOK DRIVING SHAFT OIL TUBE | | * | | 1 |
| 23 | SL4030851SF | SCREW M3 L=8 | | * | | 3 |
| 24 | SS4150915SP | SCREW 15/64-28 L=9 | | | | 1 |
| 25 | SS6111010TP | SCREW 11/64-40 L=9.5 | | | | 1 |
| 26 | 22947105 | OIL PUMP SUPPORT | | | | 1 |
| 27 | WS0651310KP | SPRING WASHER 6.5X11X1.3 | | | | 1 |
| 28 | 22924609 | RUBBER JOINT | | | | 1 |

OIL RESERVOIR COMPONENTS

| No. | Parts No. | Parts name | Remarks | Level | Cons | Qty |
|-----|-------------|-------------------------------|---------|-------|------|-----|
| 1 | 40111876 | OIL_RESERVER_ASM. | | | | 1 |
| 2 | 40105821 | OIL RESERVOIR | | * | | 1 |
| 3 | 22931901 | OIL RESERVOIR GASKET | | * | | 1 |
| 4 | B1116210D00 | FRAME SUPPORT RUBBER | | * | | 4 |
| 5 | SS6700710SH | SCREW 5/16-24 L=7 | | * | | 1 |
| 6 | RO098240100 | RUBBER RING | | * | | 1 |
| 7 | 22932156 | KNEE LIFTER ROTATION ARM ASM. | | * | | 1 |
| 8 | 22932107 | KNEE LIFTING ROTATING ARM | | * | | 1 |
| 9 | NM6060001SE | NUT M6 | | * | | 2 |
| 10 | SM8063012TR | SCREW M6 L=30 | | * | | 2 |
| 11 | 22932206 | SPRING | | * | | 1 |
| 12 | RE1000000K0 | E-RING 10 | | * | | 1 |
| 13 | 22932453 | BRACKET ASM. | | * | | 1 |
| 14 | 22932404 | BRACKET | | * | | 1 |
| 15 | 22934707 | SCREW | | * | | 2 |
| 16 | 40101720 | SCREW_M6 | | * | | 1 |
| 17 | 40101541 | KNEE_PRESS_CROSS_SHAFT | | * | | 1 |
| 18 | NM6060001SE | NUT M6 | | * | | 1 |
| 19 | 22934251 | KNEE PAD PLATE ASM. | | | | 1 |
| 20 | 22934608 | KNEE PAD UPRIGHT SHAFT | | * | | 1 |
| 21 | 22934400 | KNEE PAD PLATE RUBBER | | * | | 1 |
| 22 | 22934202 | KNEE PAD PLATE | | * | | 1 |
| 23 | 22934301 | KNEE PAD PLATE SUPPORT | | * | | 1 |
| 24 | SM9061203SE | SCREW M6 L=12 | | * | | 1 |
| 25 | 22934509 | KNEE PAD PLATE COVER | | * | | 1 |
| 26 | B8228125000 | OIL RESERVOIR MAGNET | | | | 1 |
| 27 | 22931703 | KNEE LIFTER PUSH ROD | | | | 1 |

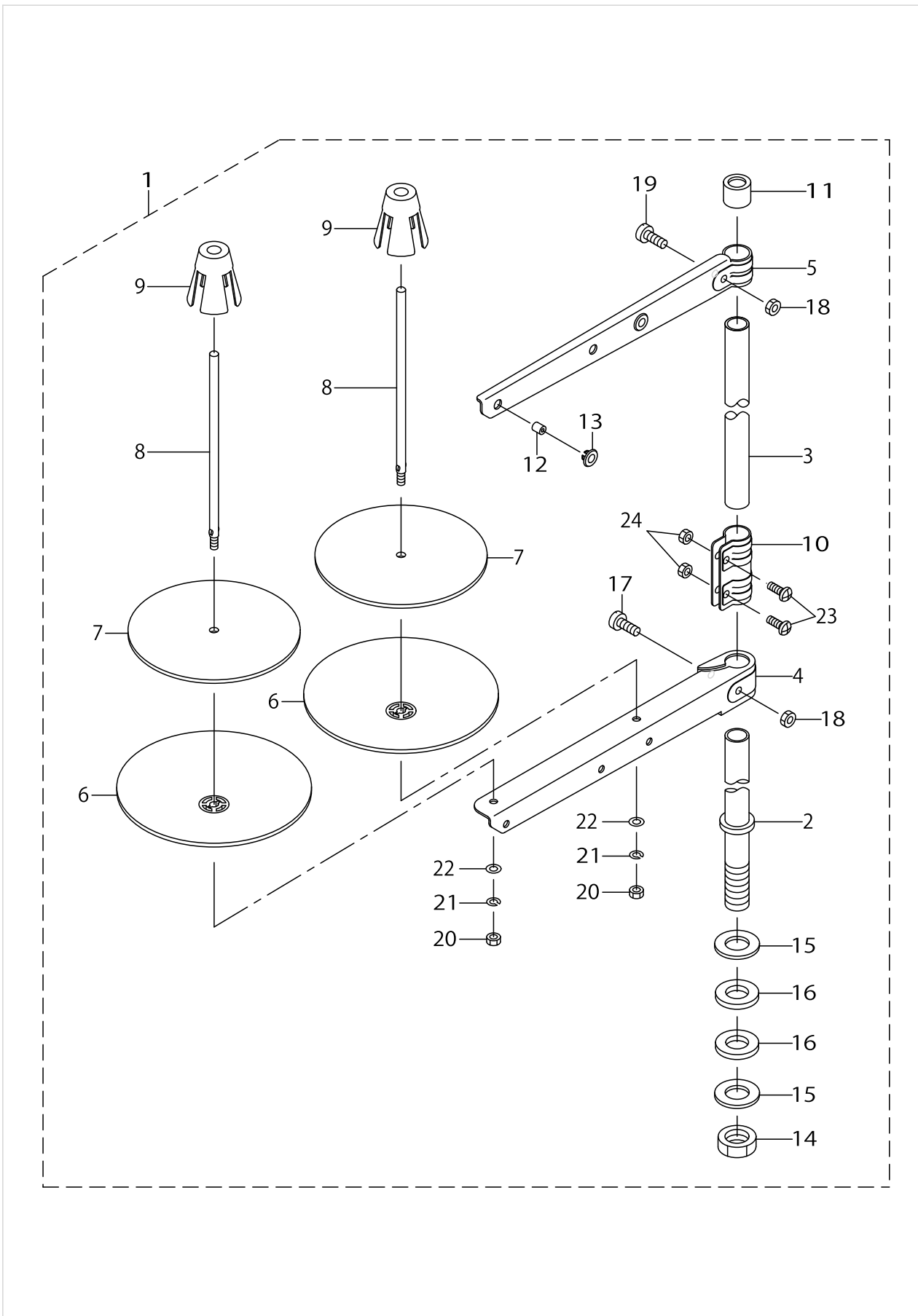
PSC UNIT



PSC UNIT

| No. | Parts No. | Parts name | Remarks | Level | Cons | Qty |
|-----|-----------|---------------------------|---------|-------|------|-----|
| 1 | 40139787 | CONTROL_BOX | | | | 1 |
| 2 | 40141199 | FRAME | | * | | 1 |
| 3 | 40141200 | AC INPUT CORD ASSY | | * | | 1 |
| 4 | 40141201 | FLT PCB ASSY | | * | | 1 |
| 5 | 40141203 | INPUT CHECK CORD ASSY | | * | | 1 |
| 6 | 40141204 | PWR PCB ASSY | | * | | 1 |
| 7 | 40141205 | PWR PCB FILM SHEET | | * | | 1 |
| 8 | 40141206 | RESISTANCE_A_ASSY | | * | | 1 |
| 9 | 40141207 | DC POWER SUPPLY CORD ASSY | | * | | 1 |
| 10 | 40141208 | CTL PCB ASSY | | * | | 1 |
| 11 | 40141209 | PEDAL CORD ASSY | | * | | 1 |
| 12 | 40141210 | SOL POWER CORD ASSY | | * | | 1 |
| 13 | 40141211 | SOL SIGNAL CORD ASSY | | * | | 1 |
| 14 | 40141212 | SOL PCB ASSY | | * | | 1 |
| 15 | 40141218 | RATING LABEL C DRAWING | | * | | 1 |
| 16 | 40141217 | PSC COVER | | * | | 1 |
| 17 | 40141214 | PANEL COVER ASSY | | * | | 1 |
| 18 | 40141215 | PANEL COVER | | * | | 1 |
| 19 | 40141216 | MEMBREM SWITCH | | * | | 1 |
| 20 | 40141213 | PNL PCB ASSY | | * | | 1 |
| 21 | 40141219 | PEDAL_SENSOR_A_ASSY | | | | 1 |
| 22 | 40141220 | AC POWER CORD ASSY | | | | 1 |
| 23 | 40042134 | CONNECING_ROD_ASSY | | | | 1 |

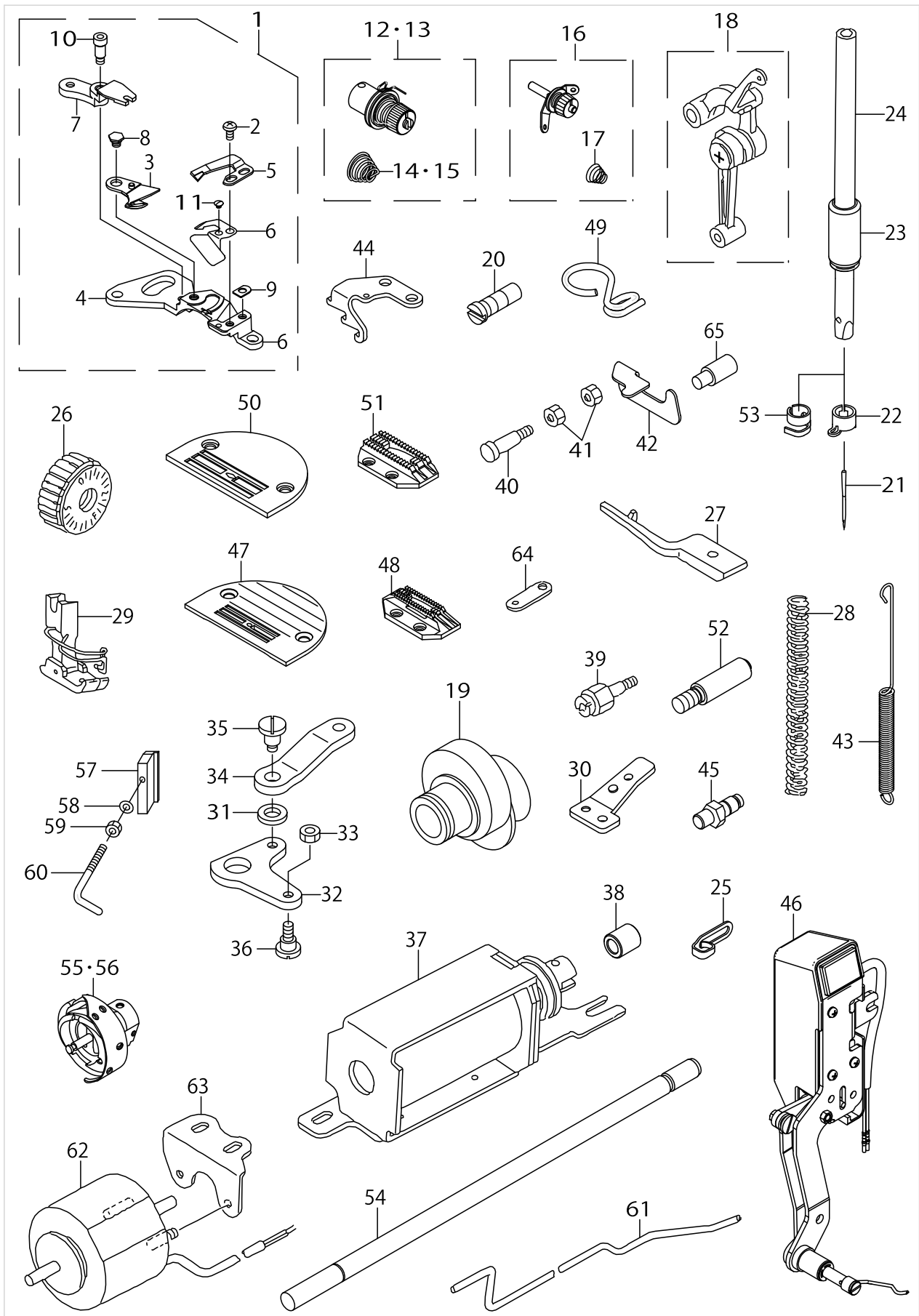
THREAD STAND COMPONENTS



THREAD STAND COMPONENTS

| No. | Parts No. | Parts name | Remarks | Level | Cons | Qty |
|-----|-------------|-------------------------------|---------|-------|------|-----|
| 1 | 40096354 | THREAD STAND ASM. | | | | 1 |
| 2 | 40085784 | SPOOL REST ROD LOWER | | * | | 1 |
| 3 | 40085785 | SPOOL REST ROD UPPER | | * | | 1 |
| 4 | 40085786 | SPOOL REST ARM LOWER | | * | | 1 |
| 5 | 40085787 | SPOOL REST ARM UPPER | | * | | 1 |
| 6 | 40085788 | SPOOL REST | | * | | 2 |
| 7 | 40085789 | SPOOL REST CUSHION | | * | | 2 |
| 8 | 40085790 | SPOOL PIN | | * | | 2 |
| 9 | 40085791 | SPOOL RETAINER | | * | | 2 |
| 10 | 40085792 | SPOOL REST ROD JOINT | | * | | 1 |
| 11 | 40085793 | SPOOL REST ROD RUBBER CAP | | * | | 1 |
| 12 | 40085794 | THREAD GUIDE | | * | | 2 |
| 13 | 40085795 | THREAD GUIDE BUSHING | | * | | 2 |
| 14 | 40096325 | SPOOL REST ROD NUT | | * | | 1 |
| 15 | WP1612616SE | WASHER 16X30X2.6 | | * | | 2 |
| 16 | 40085796 | SPOOL REST ROD RUBBER CUSHION | | * | | 2 |
| 17 | 40096326 | SPOOL REST ARM LOWER SCREW | | * | | 1 |
| 18 | NM6050001SE | NUT M5 | | * | | 2 |
| 19 | 40096327 | SPOOL REST ARM UPPER SCREW | | * | | 1 |
| 20 | NM6050001SE | NUT M5 | | * | | 2 |
| 21 | WS0510002KN | SPRING WASHER M5 | | * | | 2 |
| 22 | WP0531001SC | WASHER M5 | | * | | 2 |
| 23 | SM4051405SE | SCREW M5 L=14 | | * | | 2 |
| 24 | NM6050001SE | NUT M5 | | * | | 2 |

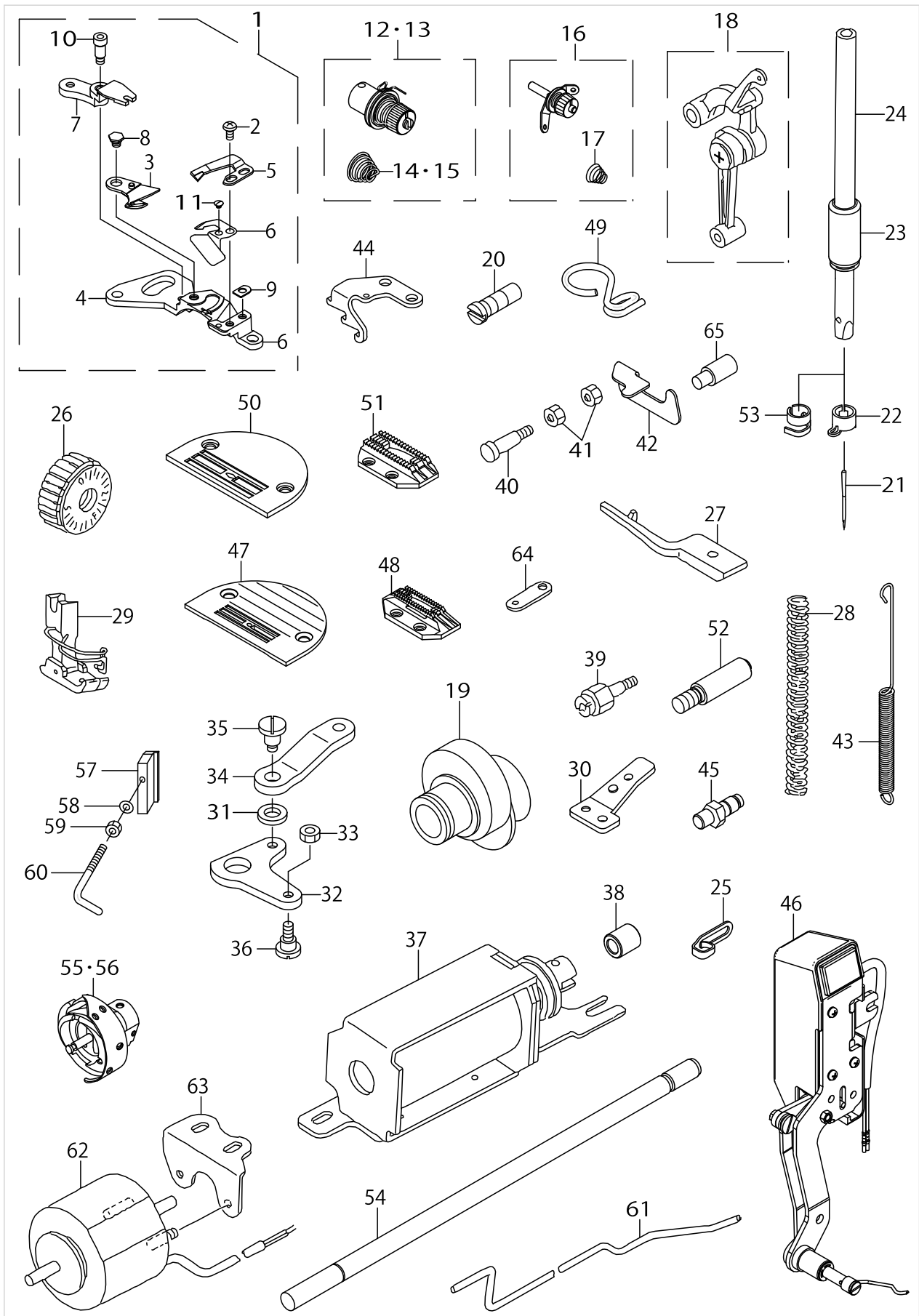
EXCLUSIVE PARTS FOR M,H



EXCLUSIVE PARTS FOR M,H

| No. | Parts No. | Parts name | Remarks | Level | Cons | Qty |
|-----|--------------|--------------------------------|---------|-------|------|-----|
| 1 | 40143120 | KNIFE UNIT | | | | 1 |
| 2 | SS4080620TP | SCREW 1/8-44 L=6 | | * | | 2 |
| 3 | 11409257 | MOVING KNIFE J ASM. | | * | | 1 |
| 4 | 22947907 | KNIFE INSTALLING BASE | | * | | 1 |
| 5 | 40089755 | FIX KNIFE | | * | | 1 |
| 6 | 23645401 | THREAD GUIDE FOR KNIFE H | | * | | 1 |
| 7 | 11095601 | KNIFE BRANCH | | * | | 1 |
| 8 | SD0500131TP | HINGE SCREW D=5 H=1.25 | | * | | 1 |
| 9 | D2404555B00 | COUNTER KNIFE SPACER | | * | | 1 |
| 10 | SD0460703TP | HINGE SCREW D=4.6 H=7 | | * | | 1 |
| 11 | SS2060210SP | SCREW 3/32-56 L=2.3 | | * | | 1 |
| 12 | 22962054 | THREAD TENSION ASM. | | | | 1 |
| 13 | 40126850 | THREAD TENSION ASM. | FOR M | | | 1 |
| 14 | 22962005 | THREAD TENSION SPRING | | * | | 1 |
| 15 | 40112420 | THREAD TENSION SPRING M | FOR M | * | | 1 |
| 16 | 22963458 | THREAD TENSION ASM | | | | 1 |
| 17 | 22963409 | THREAD TENSION SPRING | | * | | 1 |
| 18 | 40103560 | LINK THREAD TAKE-UP LEVER ASM. | | | | 1 |
| 19 | 22962351 | FEED DRIVE ECCENTRIC CAM ASM. | | | | 1 |
| 20 | B1213552000A | OIL ADJUSTING PIN | | | | 1 |
| 21 | MDB100B2100 | NEEDLE DBX1 #21 | | | | 1 |
| 22 | B1418415H00 | NEEDLE BAR THREAD GUIDE | | | | 1 |
| 23 | 22970313 | NEEDLE BAR BUSHING LOWER | | | | 1 |
| 24 | 22970206 | NEEDLE BAR | | | | 1 |
| 25 | 11091006 | ARM THREAD GUIDE (HA) | | | | 1 |
| 26 | 40101726 | FEED_DIAL | | | | 1 |
| 27 | 11093804 | POSITIONING FINGER H | | | | 1 |
| 28 | B1505552000A | PRESSER SPRING | | | | 1 |
| 29 | D1524555EBL | PRESSER FOOT ASM. | | | | 1 |
| 30 | 22962807 | WIRE PRESSER PLATE (LOWER) B | | | | 1 |
| 31 | WP0722316SH | WASHER | | | | 1 |
| 32 | 11101508 | REVERSE FEED LINK | | | | 1 |
| 33 | NS6110420SP | NUT 11/64-40 | | | | 1 |
| 34 | 22962500 | CONNECTING LINK | | | | 1 |
| 35 | SD0700711TP | HINGE SCREW D=7 H=7.1 | | | | 1 |
| 36 | SD0700451TP | HINGE SCREW D=7 H=4.5 | | | | 1 |
| 37 | 40111032 | SOLENOID MOUNTING BASE ASM. | | | | 1 |
| 38 | 22962609 | REVERSE FEED BASE COLLAR | | | | 1 |
| 39 | 11231503 | OIL PUMP SUPPORT | | | | 1 |
| 40 | 22962906 | PLUNGER ARM PIN | | | | 1 |
| 41 | NS6110420SP | NUT 11/64-40 | | | | 2 |
| 42 | 22962708 | REVERSE FEED CORD PRESSER | | | | 1 |
| 43 | 40080725 | ADJUSTING LINK SPRING | | | | 1 |
| 44 | 22970602 | FEED SPRING HOOK | | | | 1 |
| 45 | 22971204 | FEED REGULATOR BASE PIN | | | | 1 |
| 46 | 40141076 | WIPER_ASSY_H | | | | 1 |
| 47 | B1109552000 | THROAT PLATE | FOR M | | | 1 |

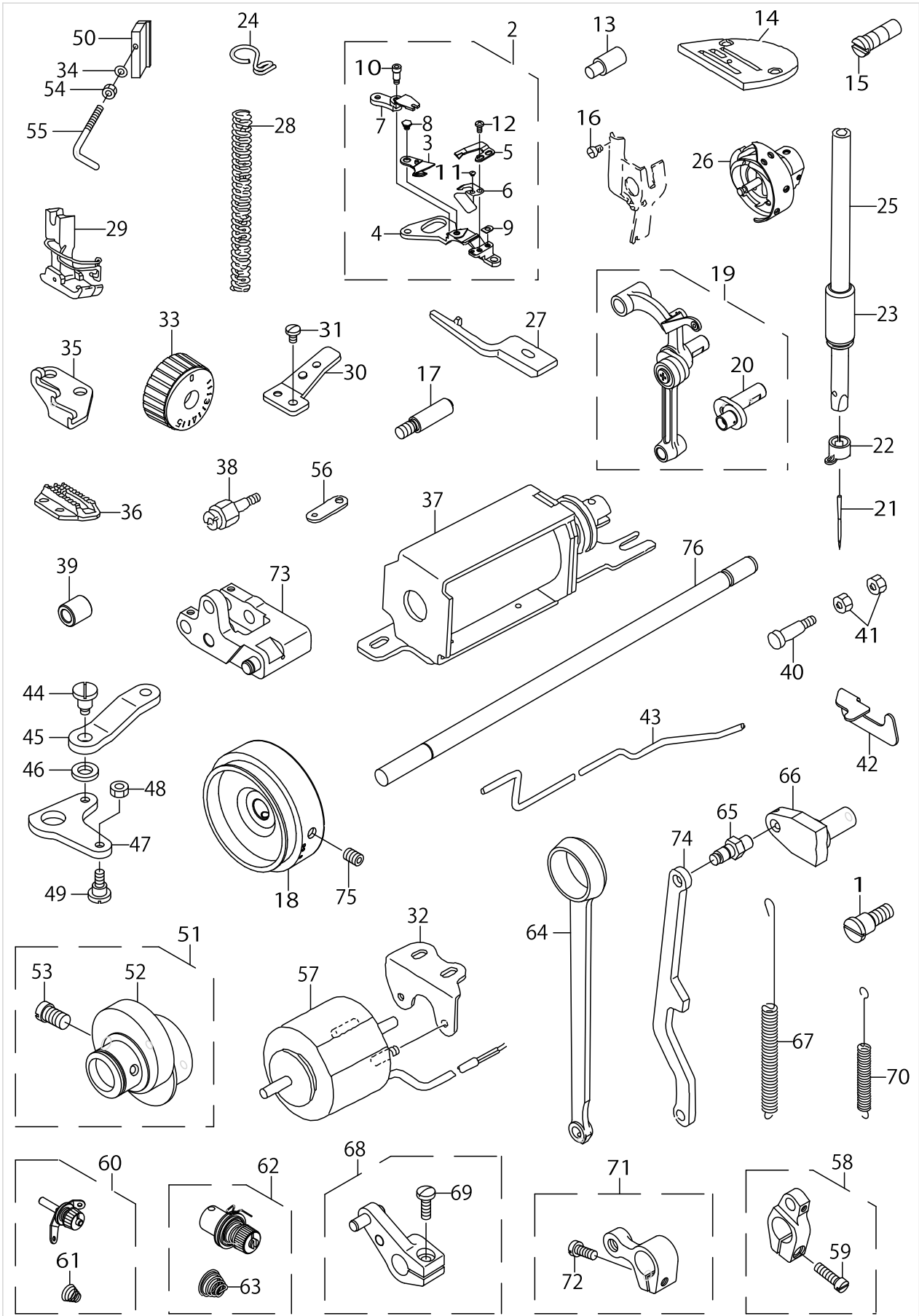
EXCLUSIVE PARTS FOR M,H



EXCLUSIVE PARTS FOR M,H

| No. | Parts No. | Parts name | Remarks | Level | Cons | Qty |
|-----|-------------|--------------------------------|---------|-------|------|-----|
| 48 | 40133950 | FEED DOG M | FOR M | | | 1 |
| 49 | 40023223 | NEEDLE BAR THREAD GUIDE | | | | 1 |
| 50 | 11400801 | THROAT PLATE J | | | | 1 |
| 51 | 11403003 | FEED J | | | | 1 |
| 52 | 40115888 | LEVER_STOPPER_ASSY | | | | 1 |
| 53 | 22970404 | NEEDLE BAR THREAD HOOK | FOR M | | | 1 |
| 54 | 40133779 | FEED ROCKER SHAFT | | | | 1 |
| 55 | 40126849 | LUBRICATING HOOK ASM. | FOR M | | | 1 |
| 56 | 11092251 | LUBRICATING HOOK ASM. | | | | 1 |
| 57 | 11403805 | THREAD GUIDE C FITTING PLATE | | | | 1 |
| 58 | WP0371016SD | WASHER 3.7X8X1 | | | | 1 |
| 59 | NS6090310SP | NUT 9/64-40 | | | | 1 |
| 60 | 22972608 | ARM THREAD GUIDE C | | | | 1 |
| 61 | 11094109 | OIL TUBE | | | | 1 |
| 62 | 40114564 | THREAD_TRIMMER_SOLENOID_H | | | | 1 |
| 63 | 11407608 | SOLENOID BASE | | | | 1 |
| 64 | 11094604 | CLUTCH LINK | | | | 1 |
| 65 | 40010395 | ADJUSTING LINK FULCRUM SHAFT B | | | | 1 |

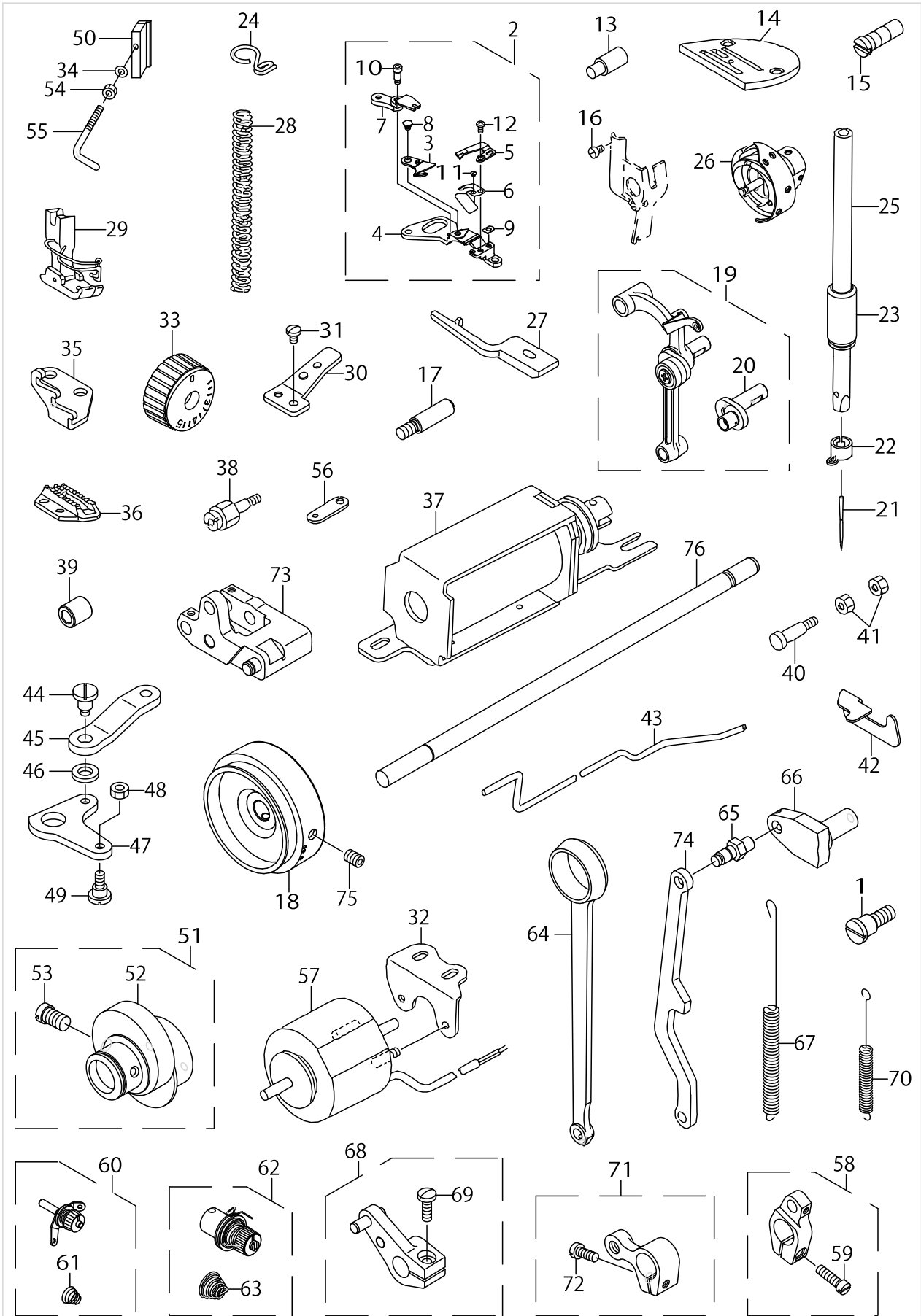
EXCLUSIVE PARTS FOR J



EXCLUSIVE PARTS FOR J

| No. | Parts No. | Parts name | Remarks | Level | Cons | Qty |
|-----|--------------|--------------------------------|---------|-------|------|-----|
| 1 | 40031249 | HINGE SCREW | | | | 1 |
| 2 | 40143120 | KNIFE_UNIT | | | | 1 |
| 3 | 11409257 | MOVING KNIFE J ASM. | | * | | 1 |
| 4 | 40130580 | KNIFE INSTALLING BASE | | * | | 1 |
| 5 | 40089755 | FIX KNIFE | | * | | 1 |
| 6 | 23645401 | THREAD GUIDE FOR KNIFE H | | * | | 1 |
| 7 | 11095601 | KNIFE BRANCH | | * | | 1 |
| 8 | SD0500131TP | HINGE SCREW D=5 H=1.25 | | * | | 1 |
| 9 | D2404555B00 | COUNTER KNIFE SPACER | | * | | 1 |
| 10 | SD0460703TP | HINGE SCREW D=4.6 H=7 | | * | | 1 |
| 11 | SS2060210SP | SCREW 3/32-56 L=2.3 | | * | | 1 |
| 12 | SS4080620TP | SCREW 1/8-44 L=6 | | * | | 2 |
| 13 | 40010395 | ADJUSTING LINK FULCRUM SHAFT B | | | | 1 |
| 14 | 11062007 | THROAT PLATE A | | | | 1 |
| 15 | B1213552000A | OIL ADJUSTING PIN | | | | 1 |
| 16 | SS6080320SP | SCREW 1/8-44 L= 2.5 | | | | 1 |
| 17 | 40115888 | LEVER_STOPPER_ASSY | | | | 1 |
| 18 | 40148383 | HAND_PULLEY_J | | | | 1 |
| 19 | 11062858 | LINK THREAD TAKE-UP LEVER ASM. | | | | 1 |
| 20 | 11062809 | NEEDLE BAR CRANK | | * | | 1 |
| 21 | MDP500B2100 | NEEDLE DPX5 #21 | | | | 1 |
| 22 | B1418415H00 | NEEDLE BAR THREAD GUIDE | | | | 1 |
| 23 | 22970313 | NEEDLE BAR BUSHING LOWER | | | | 1 |
| 24 | 40023223 | NEEDLE BAR THREAD GUIDE | | | | 1 |
| 25 | 22970206 | NEEDLE BAR | | | | 1 |
| 26 | 40035058 | HOOK ASM. | | | | 1 |
| 27 | 22942502 | INNER HOOK PRESSER | | | | 1 |
| 28 | B1505552000A | PRESSER SPRING | | | | 1 |
| 29 | 40064839 | PRESSER FOOT ASM. | | | | 1 |
| 30 | 22962807 | WIRE PRESSER PLATE(LOWER) B | | | | 1 |
| 31 | SS7110740TP | SCREW 11/64-40 L=7 | | | | 1 |
| 32 | 11407608 | SOLENOID BASE | | | | 1 |
| 33 | 40039674 | FEED DIAL | | | | 1 |
| 34 | WP0371016SD | WASHER 3.7X8X1 | | | | 1 |
| 35 | 22970602 | FEED SPRING HOOK | | | | 1 |
| 36 | 11062601 | FEED DOG | | | | 1 |
| 37 | 11096658 | SOLENOID MOUNTING BASE ASM. | | | | 1 |
| 38 | 11231503 | OIL PUMP SUPPORT | | | | 1 |
| 39 | 22962609 | REVERSE FEED BASE COLLAR | | | | 1 |
| 40 | 22962906 | PLUNGER ARM PIN | | | | 1 |
| 41 | NS6110420SP | NUT 11/64-40 | | | | 2 |
| 42 | 22962708 | TUBE HOLDER LOWER | | | | 1 |
| 43 | 11094109 | OIL TUBE | | | | 1 |
| 44 | SD0700711TP | HINGE SCREW D=7 H=7.1 | | | | 1 |
| 45 | 22962500 | SOLENOID CONNECTING LINK H | | | | 1 |
| 46 | WP0722316SH | WASHER | | | | 1 |
| 47 | 11101508 | REVERSE FEED LINK | | | | 1 |

EXCLUSIVE PARTS FOR J



EXCLUSIVE PARTS FOR J

| No. | Parts No. | Parts name | Remarks | Level | Cons | Qty |
|-----|-------------|------------------------------|---------|-------|------|-----|
| 48 | NS6110420SP | NUT 11/64-40 | | | | 1 |
| 49 | SD0700451TP | HINGE SCREW D=7 H=4.5 | | | | 1 |
| 50 | 11403805 | THREAD GUIDE C FITTING PLATE | | | | 1 |
| 51 | 22970552 | FEED ECCENTRIC CAM ASM. | | | | 1 |
| 52 | 22970503 | FEED ECCENTRIC CAM L | | * | | 1 |
| 53 | 22972806 | FEED ECCENTRIC CAM SETSCREW | | * | | 2 |
| 54 | NS6090310SP | NUT 9/64-40 | | | | 1 |
| 55 | 22972608 | ARM THREAD GUIDE C | | | | 1 |
| 56 | 11094604 | CLUTCH LINK | | | | 1 |
| 57 | 40114564 | THREAD_TRIMMER_SOLENOID_H | | | | 1 |
| 58 | 22970859 | HORIZONTAL FEED ARM ASM. | | | | 1 |
| 59 | SS6121610SP | SCREW 3/16-28 L=15.5 | | * | | 1 |
| 60 | 22963458 | THREAD TENSION ASM. | | | | 1 |
| 61 | 22963409 | THREAD TENSION SPRING | | * | | 1 |
| 62 | 22962054 | THREAD TENSION ASM. | | | | 1 |
| 63 | 22962005 | THREAD TENSION SPRING | | * | | 1 |
| 64 | 22970701 | HORIZONTAL FEED ROD | | | | 1 |
| 65 | 22971204 | FEED REGULATOR BASE PIN | | | | 1 |
| 66 | 22971303 | FEED REGULATOR BASE | | | | 1 |
| 67 | 11302619 | SPRING | | | | 1 |
| 68 | 22971550 | FEED LEVER ARM ASM. | | | | 1 |
| 69 | SS7121410TP | SCREW 3/16-28 L=14 | | * | | 1 |
| 70 | 22971709 | FEED REVERSE SPRING | | | | 1 |
| 71 | 22972251 | VERTICAL FEED ARM ASM. | | | | 1 |
| 72 | SS6121610SP | SCREW 3/16-28 L=15.5 | | * | | 1 |
| 73 | 40031240 | FEED ADJUST LINK ASM. | | | | 1 |
| 74 | 40031244 | FEED ADJUST ROD | | | | 1 |
| 75 | SM80608A2TP | SCREW M6 L=8 | | | | 2 |
| 76 | 40133779 | FEED ROCKER SHAFT | | | | 1 |

LIST FOR INFORMATION OF CHANGE

As to the place changed, refer to the corresponding Rev.No.
 When previous parts(Obsoleted part) and new parts(Added parts) are
 not interchangeable with each other:
 In this case, even obsoleted parts(D.) can be ordered with the
 obsoleted part number, so select the parts with changed dates and
 place your orders.

変更箇所は、該当Rev.No.版をご参照ください。
 部品の互換性がない変更の場合は、削除された品番でも、ご注文できます。

40140494
 No.1650-02}・・Rev.No.

*A:Added parts追加部品/D:Obsoleted parts削除部品/E:Erratum訂正

| * | Rev. No. | Page 頁 | Ref. No. | Parts No. 品番 | * | Rev. No. | Page 頁 | Ref. No. | Parts No. 品番 |
|---|-------------|-----------|-------------|-----------------|---|-------------|-----------|-------------|-----------------|
| | D 01 | 6 | 21 | 401-39216 | | A 02 | 6 | 21 | 400-86740 |
| | D 01 | 6 | 23 | 229-04155 | | A 02 | 6 | 23 | 401-37504 |
| | D 01 | 10 | 34 | 229-07208 | | A 02 | 10 | 34 | 400-98388 |
| | D 01 | 12 | 49 | 229-04155 | | A 02 | 12 | 49 | 401-37504 |
| | D 01 | 12 | 62 | 229-04155 | | A 02 | 12 | 62 | 401-37504 |
| | D 01 | 16 | 23 | SL-4030631-SC | | A 02 | 16 | 23 | SL-4030691-SC |
| | D 01 | 26 | 4 | 401-30580 | | A 02 | 26 | 4 | 229-47907 |
| | E 01 | 28 | 70 | 229-71909 | | A 02 | 28 | 70 | 229-71709 |
| | | | | | | | | | |
| | | | | | | | | | |
| | | | | | | | | | |
| | | | | | | | | | |
| | | | | | | | | | |
| | | | | | | | | | |
| | | | | | | | | | |
| | | | | | | | | | |
| | | | | | | | | | |
| | | | | | | | | | |
| | | | | | | | | | |
| | | | | | | | | | |
| | | | | | | | | | |
| | | | | | | | | | |
| | | | | | | | | | |
| | | | | | | | | | |
| | | | | | | | | | |
| | | | | | | | | | |
| | | | | | | | | | |
| | | | | | | | | | |
| | | | | | | | | | |
| | | | | | | | | | |
| | | | | | | | | | |
| | | | | | | | | | |
| | | | | | | | | | |
| | | | | | | | | | |
| | | | | | | | | | |
| | | | | | | | | | |
| | | | | | | | | | |
| | | | | | | | | | |
| | | | | | | | | | |
| | | | | | | | | | |
| | | | | | | | | | |
| | | | | | | | | | |
| | | | | | | | | | |
| | | | | | | | | | |
| | | | | | | | | | |
| | | | | | | | | | |
| | | | | | | | | | |
| | | | | | | | | | |
| | | | | | | | | | |

HOW TO MAKE USE OF THIS PARTS LIST

1.Explanation of codes

1)"*"mark.....means this part is changed from the previous parts book.

As to the details of the change, refer to the "List for information of change".

2)"#01".....refer to "Note" explanation at bottom of page.

2.Codes on the "Qty" column

- Each numeral indicates the number of parts required.
- "0.1" and "2.5" indicate the length (in meters) of the respective parts.

3.Parentheses mean that the corresponding part is a subpart that constructs an assembly part.

4.Dotted lines on the Figures indicate assembly parts.

5.As to the parts with marks of "☆"(consumable parts) and "◎"(optional parts)on the respective parts, it is recommended to prepare spares.

1 ."注記"欄の記号説明

1) "*"印.....前回のパーツブックに比較して今回変更された部品を意味します。

変更内容は、"変更情報リスト"を参照してください。

2) "#01".....ページ下の"注記"の説明を参照してください。

2.数量欄の数字は、個数を表し、0.1、2.5等の数値は、長さ（単位メートル）を表します。

3.数量欄の（ ）は、組部品を構成している子部品であることを意味します。

4.イラストページの-----枠は、組構成であることを意味します。

5.リストページの"☆"（消耗部品）、"◎"（オプション部品）の印がついた部品は、予備を準備しておくことをお奨めします。

NUMERICAL INDEX OF PARTS

| PART NO | PAGE | REF NO. | PART NO | PAGE | REF NO. | PART NO | PAGE | REF NO. |
|----------|------|---------|----------|------|---------|----------|------|---------|
| 11002904 | 8 | 3 | 22901201 | 4 | 52 | 22912257 | 14 | 19 |
| 11009800 | 14 | 23 | 22901250 | 4 | 51 | 22912505 | 14 | 20 |
| 11010311 | 14 | 17 | 22901300 | 4 | 53 | 22912802 | 14 | 46 |
| 11015906 | 10 | 37 | 22901805 | 2 | 14 | 22913008 | 16 | 51 |
| 11037405 | 14 | 22 | 22903207 | 8 | 25 | 22913701 | 14 | 38 |
| 11038650 | 10 | 34 | 22903306 | 8 | 27 | 22915003 | 14 | 15 |
| 11038759 | 10 | 24 | 22903900 | 8 | 14 | 22915201 | 16 | 48 |
| 11040052 | 18 | 5 | 22905004 | 10 | 23 | 22915359 | 16 | 58 |
| 11040409 | 18 | 4 | 22905103 | 10 | 25 | 22916001 | 10 | 31 |
| 11040854 | 18 | 45 | 22905202 | 10 | 26 | 22916100 | 10 | 35 |
| 11040953 | 18 | 44 | 22906101 | 10 | 2 | 22916308 | 10 | 27 |
| 11062007 | 38 | 14 | 22906200 | 10 | 8 | 22916506 | 10 | 38 |
| 11062601 | 38 | 36 | 22906309 | 10 | 10 | 22916555 | 10 | 36 |
| 11062809 | 38 | 20 | 22906457 | 10 | 4 | 22917058 | 10 | 12 |
| 11062858 | 38 | 19 | 22906606 | 8 | 8 | 22917157 | 10 | 29 |
| 11091006 | 34 | 25 | 22907307 | 12 | 36 | 22918064 | 8 | 5 |
| 11092251 | 36 | 55·56 | 22907406 | 12 | 33 | 22918072 | 8 | 4 |
| 11093804 | 34 | 27 | 22907505 | 12 | 32 | 22918106 | 8 | 7 |
| 11094109 | 36 | 61 | 22907554 | 12 | 30 | 22918304 | 8 | 6 |
| 11094109 | 38 | 43 | 22907604 | 12 | 31 | 22918403 | 8 | 9~12 |
| 11094604 | 36 | 64 | 22907703 | 12 | 45 | 22918502 | 8 | 9~12 |
| 11094604 | 40 | 56 | 22907802 | 12 | 1 | 22918601 | 8 | 9~12 |
| 11095601 | 34 | 7 | 22908008 | 12 | 42 | 22918700 | 8 | 9~12 |
| 11095601 | 38 | 7 | 22908156 | 12 | 40 | 22919203 | 8 | 29 |
| 11096658 | 38 | 37 | 22908305 | 12 | 44 | 22919559 | 8 | 2 |
| 11101300 | 22 | 15 | 22908354 | 12 | 39 | 22920102 | 12 | 29 |
| 11101508 | 34 | 32 | 22908552 | 12 | 4 | 22920201 | 12 | 23 |
| 11101508 | 38 | 47 | 22908701 | 12 | 7 | 22920300 | 12 | 26 |
| 11231503 | 34 | 39 | 22908800 | 12 | 14 | 22920409 | 12 | 24 |
| 11231503 | 38 | 38 | 22908909 | 12 | 11 | 22920508 | 2 | 30 |
| 11302619 | 40 | 67 | 22909006 | 12 | 13 | 22920607 | 2 | 47 |
| 11400801 | 36 | 50 | 22910004 | 8 | 18 | 22920904 | 2 | 43 |
| 11403003 | 36 | 51 | 22910053 | 8 | 16 | 22921001 | 2 | 31 |
| 11403805 | 36 | 57 | 22910103 | 8 | 13 | 22921209 | 2 | 38 |
| 11403805 | 40 | 50 | 22910202 | 14 | 12 | 22921308 | 2 | 33 |
| 11407608 | 36 | 63 | 22910251 | 14 | 11 | 22921407 | 2 | 34 |
| 11407608 | 38 | 32 | 22910806 | 14 | 28 | 22921506 | 2 | 37 |
| 11409257 | 34 | 3 | 22910905 | 14 | 24 | 22921506 | 6 | 28 |
| 11409257 | 38 | 3 | 22911002 | 14 | 40 | 22921605 | 2 | 39 |
| 22538706 | 6 | 33 | 22911101 | 14 | 13 | 22921704 | 2 | 35 |
| 22538805 | 8 | 30 | 22911507 | 14 | 2 | 22921803 | 2 | 36 |
| 22900401 | 2 | 10 | 22911606 | 14 | 4 | 22923015 | 26 | 14 |
| 22900609 | 2 | 28 | 22911804 | 14 | 7 | 22923056 | 26 | 12 |
| 22900757 | 2 | 4 | 22912000 | 14 | 9 | 22923205 | 26 | 17 |
| 22901003 | 4 | 55 | 22912109 | 14 | 8 | 22923312 | 26 | 13 |

NUMERICAL INDEX OF PARTS

| PART NO | PAGE | REF NO. | PART NO | PAGE | REF NO. | PART NO | PAGE | REF NO. |
|----------|------|---------|----------|------|---------|----------|------|---------|
| 22923403 | 26 | 19 | 22944854 | 12 | 28 | 22956205 | 24 | 7 |
| 22923502 | 26 | 21 | 22945109 | 12 | 25 | 22956304 | 24 | 8 |
| 22923601 | 26 | 20 | 22945307 | 2 | 40 | 22956403 | 24 | 9 |
| 22923700 | 26 | 15 | 22945356 | 2 | 32 | 22956809 | 24 | 11 |
| 22923809 | 26 | 18 | 22945414 | 2 | 22 | 22956908 | 24 | 13 |
| 22923908 | 26 | 22 | 22945463 | 2 | 21 | 22957203 | 24 | 25 |
| 22924153 | 26 | 6 | 22945505 | 2 | 25 | 22958300 | 2 | 7 |
| 22924302 | 26 | 7 | 22945604 | 2 | 23 | 22962005 | 34 | 14·15 |
| 22924401 | 26 | 3 | 22945703 | 2 | 26 | 22962005 | 40 | 63 |
| 22924500 | 26 | 11 | 22945703 | 6 | 30 | 22962054 | 34 | 12·13 |
| 22924609 | 26 | 28 | 22945802 | 2 | 24 | 22962054 | 40 | 62 |
| 22924708 | 26 | 1 | 22947105 | 26 | 26 | 22962351 | 34 | 19 |
| 22924807 | 20 | 58 | 22947808 | 18 | 7 | 22962500 | 34 | 34 |
| 22924906 | 26 | 10 | 22947907 | 34 | 4 | 22962500 | 38 | 45 |
| 22925002 | 26 | 9 | 22948202 | 18 | 3 | 22962609 | 34 | 38 |
| 22925101 | 26 | 5 | 22948301 | 18 | 35 | 22962609 | 38 | 39 |
| 22931703 | 28 | 27 | 22948400 | 18 | 37 | 22962708 | 34 | 42 |
| 22931901 | 28 | 3 | 22949002 | 18 | 43 | 22962708 | 38 | 42 |
| 22932107 | 28 | 8 | 22949101 | 18 | 40 | 22962807 | 34 | 30 |
| 22932156 | 28 | 7 | 22949200 | 18 | 41 | 22962807 | 38 | 30 |
| 22932206 | 28 | 11 | 22949309 | 18 | 38 | 22962906 | 34 | 40 |
| 22932404 | 28 | 14 | 22949408 | 18 | 29 | 22962906 | 38 | 40 |
| 22932453 | 28 | 13 | 22949754 | 18 | 24 | 22963409 | 34 | 17 |
| 22932909 | 10 | 18 | 22949762 | 18 | 23 | 22963409 | 40 | 61 |
| 22934202 | 28 | 22 | 22949903 | 20 | 55 | 22963458 | 34 | 16 |
| 22934251 | 28 | 19 | 22950000 | 18 | 26 | 22963458 | 40 | 60 |
| 22934301 | 28 | 23 | 22950109 | 18 | 31 | 22970206 | 34 | 24 |
| 22934400 | 28 | 21 | 22950208 | 18 | 14 | 22970206 | 38 | 25 |
| 22934509 | 28 | 25 | 22950257 | 18 | 13 | 22970313 | 34 | 23 |
| 22934608 | 28 | 20 | 22950356 | 18 | 15 | 22970313 | 38 | 23 |
| 22934707 | 28 | 15 | 22950703 | 18 | 25 | 22970404 | 36 | 53 |
| 22935407 | 4 | 57 | 22950851 | 18 | 19 | 22970503 | 40 | 52 |
| 22939508 | 10 | 3 | 22950950 | 18 | 21 | 22970552 | 40 | 51 |
| 22940506 | 14 | 10 | 22951008 | 20 | 60 | 22970602 | 34 | 44 |
| 22940654 | 16 | 55 | 22951404 | 20 | 50 | 22970602 | 38 | 35 |
| 22940753 | 14 | 35 | 22952501 | 2 | 18 | 22970701 | 40 | 64 |
| 22940951 | 14 | 27 | 22953400 | 22 | 22 | 22970859 | 40 | 58 |
| 22941108 | 14 | 1 | 22953509 | 22 | 24 | 22971204 | 34 | 45 |
| 22941306 | 14 | 36 | 22953657 | 22 | 17 | 22971204 | 40 | 65 |
| 22942502 | 10 | 32 | 22953905 | 22 | 19 | 22971303 | 40 | 66 |
| 22942502 | 38 | 27 | 22954002 | 22 | 27 | 22971550 | 40 | 68 |
| 22942601 | 10 | 28 | 22955504 | 24 | 12 | 22971709 | 40 | 70 |
| 22944508 | 12 | 18 | 22955900 | 24 | 4 | 22972251 | 40 | 71 |
| 22944607 | 12 | 20 | 22956007 | 24 | 5 | 22972608 | 36 | 60 |
| 22944706 | 12 | 10 | 22956106 | 24 | 6 | 22972608 | 40 | 55 |

NUMERICAL INDEX OF PARTS

| PART NO | PAGE | REF NO. | PART NO | PAGE | REF NO. | PART NO | PAGE | REF NO. |
|----------|------|---------|----------|------|---------|----------|------|---------|
| 22972806 | 40 | 53 | 40085786 | 32 | 4 | 40110731 | 6 | 25 |
| 23631708 | 22 | 7 | 40085787 | 32 | 5 | 40110734 | 6 | 26 |
| 23631807 | 22 | 8 | 40085788 | 32 | 6 | 40110975 | 6 | 16 |
| 23631906 | 22 | 9 | 40085789 | 32 | 7 | 40110976 | 6 | 1 |
| 23632102 | 22 | 10 | 40085790 | 32 | 8 | 40110977 | 8 | 15 |
| 23645401 | 34 | 6 | 40085791 | 32 | 9 | 40110978 | 8 | 20 |
| 23645401 | 38 | 6 | 40085792 | 32 | 10 | 40110979 | 8 | 28 |
| 26260109 | 6 | 2 | 40085793 | 32 | 11 | 40110995 | 20 | 53 |
| 26260208 | 6 | 3 | 40085794 | 32 | 12 | 40110999 | 24 | 3 |
| 26260307 | 6 | 4 | 40085795 | 32 | 13 | 40111022 | 2 | 20 |
| 26260406 | 6 | 5 | 40085796 | 32 | 16 | 40111025 | 8 | 36 |
| 26260505 | 6 | 6 | 40086678 | 24 | 15 | 40111031 | 20 | 49 |
| 26260604 | 6 | 7 | 40086679 | 24 | 28 | 40111032 | 34 | 37 |
| 26260802 | 6 | 8 | 40086740 | 8 | 21 | 40111424 | 8 | 32 |
| 26261008 | 6 | 9 | 40087245 | 18 | 30 | 40111872 | 8 | 34 |
| 26261206 | 6 | 10 | 40089548 | 14 | 25 | 40111876 | 28 | 1 |
| 26261305 | 6 | 11 | 40089755 | 34 | 5 | 40111896 | 4 | 61 |
| 26261503 | 6 | 12 | 40089755 | 38 | 5 | 40111897 | 16 | 52 |
| 26261602 | 6 | 13 | 40090002 | 10 | 14 | 40112420 | 34 | 14·15 |
| 26261701 | 6 | 14 | 40090003 | 10 | 16 | 40112907 | 20 | 59 |
| 40010395 | 36 | 65 | 40090004 | 10 | 19 | 40113241 | 6 | 34 |
| 40010395 | 38 | 13 | 40090005 | 10 | 21 | 40114564 | 36 | 62 |
| 40011144 | 6 | 15 | 40090058 | 10 | 6 | 40114564 | 40 | 57 |
| 40012126 | 2 | 2 | 40093417 | 14 | 26 | 40115888 | 36 | 52 |
| 40012129 | 2 | 11 | 40096325 | 32 | 14 | 40115888 | 38 | 17 |
| 40017805 | 12 | 35 | 40096326 | 32 | 17 | 40119475 | 6 | 24 |
| 40021933 | 6 | 17 | 40096327 | 32 | 19 | 40126308 | 4 | 60 |
| 40023223 | 36 | 49 | 40096354 | 32 | 1 | 40126849 | 36 | 55·56 |
| 40023223 | 38 | 24 | 40098388 | 12 | 34 | 40126850 | 34 | 12·13 |
| 40031240 | 40 | 73 | 40099083 | 4 | 58 | 40130579 | 18 | 1 |
| 40031244 | 40 | 74 | 40100812 | 14 | 44 | 40130580 | 18 | 6 |
| 40031249 | 38 | 1 | 40101462 | 14 | 31 | 40130580 | 38 | 4 |
| 40035058 | 38 | 26 | 40101541 | 28 | 17 | 40130594 | 22 | 26 |
| 40037008 | 6 | 32 | 40101720 | 28 | 16 | 40133779 | 36 | 54 |
| 40037500 | 24 | 29 | 40101726 | 34 | 26 | 40133779 | 40 | 76 |
| 40039674 | 38 | 33 | 40102097 | 2 | 1 | 40133950 | 36 | 48 |
| 40041419 | 24 | 10 | 40102124 | 14 | 39 | 40137504 | 8 | 23 |
| 40042134 | 30 | 23 | 40102261 | 2 | 13 | 40137504 | 16 | 62 |
| 40060989 | 12 | 5 | 40102264 | 16 | 60 | 40139752 | 4 | 65 |
| 40064839 | 38 | 29 | 40103560 | 34 | 18 | 40139754 | 22 | 1 |
| 40077851 | 24 | 26 | 40105821 | 28 | 2 | 40139771 | 22 | 3 |
| 40077852 | 24 | 16 | 40109422 | 14 | 45 | 40139772 | 22 | 4 |
| 40080725 | 34 | 43 | 40110376 | 8 | 45 | 40139786 | 4 | 66 |
| 40085784 | 32 | 2 | 40110379 | 14 | 43 | 40139787 | 30 | 1 |
| 40085785 | 32 | 3 | 40110390 | 8 | 40 | 40140080 | 4 | 63 |

NUMERICAL INDEX OF PARTS

| PART NO | PAGE | REF NO. | PART NO | PAGE | REF NO. | PART NO | PAGE | REF NO. |
|--------------|------|---------|-------------|------|---------|-------------|------|---------|
| 40140189 | 22 | 2 | B15240120BA | 12 | 9 | RE1000000K0 | 28 | 12 |
| 40140191 | 22 | 5 | B1613012I00 | 14 | 33 | RE1200000K0 | 22 | 20 |
| 40140419 | 8 | 37 | B8228125000 | 28 | 26 | RO029180100 | 8 | 35 |
| 40140491 | 22 | 6 | CM300200001 | 2 | 12 | RO037180100 | 12 | 3 |
| 40140492 | 22 | 13 | D1524555EBL | 34 | 29 | RO044240100 | 8 | 43 |
| 40140991 | 24 | 14 | D2404555B00 | 34 | 9 | RO078190100 | 16 | 59 |
| 40140992 | 24 | 1 | D2404555B00 | 38 | 9 | RO092270200 | 14 | 16 |
| 40140994 | 24 | 2 | D2406555D0H | 18 | 10 | RO098240100 | 28 | 6 |
| 40141076 | 34 | 46 | D7133555B00 | 6 | 29 | RO195240100 | 26 | 2 |
| 40141199 | 30 | 2 | EA9500B0100 | 22 | 12 | SD0460703TP | 18 | 2 |
| 40141200 | 30 | 3 | HK034610140 | 18 | 11 | SD0460703TP | 34 | 10 |
| 40141201 | 30 | 4 | MDB100B1400 | 10 | 11 | SD0460703TP | 38 | 10 |
| 40141203 | 30 | 5 | MDB100B2100 | 34 | 21 | SD0500131TP | 34 | 8 |
| 40141204 | 30 | 6 | MDP500B2100 | 38 | 21 | SD0500131TP | 38 | 8 |
| 40141205 | 30 | 7 | NM6040001SE | 20 | 52 | SD0600361SP | 18 | 46 |
| 40141206 | 30 | 8 | NM6050001SE | 32 | 24 | SD0630275SP | 18 | 18 |
| 40141207 | 30 | 9 | NM6060001SE | 28 | 18 | SD0640631TP | 20 | 48 |
| 40141208 | 30 | 10 | NS6090310SP | 24 | 17 | SD0641451SP | 18 | 17 |
| 40141209 | 30 | 11 | NS6090310SP | 36 | 59 | SD0650321TP | 24 | 21 |
| 40141210 | 30 | 12 | NS6090310SP | 40 | 54 | SD0700451TP | 34 | 36 |
| 40141211 | 30 | 13 | NS6110310SP | 24 | 18 | SD0700451TP | 40 | 49 |
| 40141212 | 30 | 14 | NS6110420SP | 34 | 41 | SD0700711TP | 34 | 35 |
| 40141213 | 30 | 20 | NS6110420SP | 38 | 48 | SD0700711TP | 38 | 44 |
| 40141214 | 30 | 17 | NS6110420SP | 40 | 48 | SD0720331SP | 12 | 12 |
| 40141215 | 30 | 18 | NS6120630SP | 6 | 27 | SD1000801SH | 14 | 47 |
| 40141216 | 30 | 19 | NS6150430SP | 18 | 33 | SE4301041SR | 26 | 16 |
| 40141217 | 30 | 16 | NS6620310SP | 12 | 21 | SL4030641SE | 24 | 22 |
| 40141218 | 30 | 15 | NS6680410SP | 14 | 42 | SL4030691SC | 24 | 23 |
| 40141219 | 30 | 21 | RC0150001KP | 14 | 54 | SL4030851SF | 26 | 23 |
| 40141220 | 30 | 22 | RC0150001KP | 16 | 54 | SL6051492TN | 8 | 39 |
| 40141523 | 10 | 7 | RC0560711KP | 6 | 18 | SL6052592TN | 8 | 38 |
| 40143120 | 34 | 1 | RC1850001KP | 8 | 22 | SM0050801SC | 6 | 35 |
| 40143120 | 38 | 2 | RE0250000K0 | 24 | 19 | SM4051405SE | 32 | 23 |
| 40148383 | 38 | 18 | RE0400000K0 | 6 | 19 | SM5040655SN | 6 | 20 |
| B1109552000 | 2 | 44 | RE0400000K0 | 18 | 39 | SM8040402TP | 4 | 64 |
| B1109552000 | 34 | 47 | RE0400000K0 | 22 | 23 | SM8040802TP | 6 | 21 |
| B1116210D00 | 28 | 4 | RE0400000KP | 22 | 18 | SM8050502TP | 6 | 22 |
| B1213552000A | 34 | 20 | RE0500000K0 | 12 | 43 | SM80608A2TP | 8 | 33 |
| B1213552000A | 38 | 15 | RE0500000K0 | 14 | 21 | SM80608A2TP | 40 | 75 |
| B1215552000 | 8 | 26 | RE0500000K0 | 18 | 56 | SM8061010TP | 16 | 61 |
| B1418415H00 | 34 | 22 | RE0500000K0 | 20 | 56 | SM8063012TR | 28 | 10 |
| B1418415H00 | 38 | 22 | RE0500000K0 | 24 | 20 | SM9061203SE | 28 | 24 |
| B1505552000A | 34 | 28 | RE0500000KP | 22 | 28 | SS2060210SP | 18 | 8 |
| B1505552000A | 38 | 28 | RE0600000K0 | 18 | 34 | SS2060210SP | 34 | 11 |
| B1521555000 | 12 | 2 | RE0900000K0 | 22 | 16 | SS2060210SP | 38 | 11 |

NUMERICAL INDEX OF PARTS

| PART NO | PAGE | REF NO. | PART NO | PAGE | REF NO. |
|-------------|------|---------|-------------|------|---------|
| SS2110915SP | 2 | 46 | SS7080510TP | 10 | 9 |
| SS2110920TP | 2 | 45 | SS7090610SP | 18 | 42 |
| SS4080620TP | 14 | 34 | SS7091110TP | 12 | 6 |
| SS4080620TP | 18 | 9 | SS7110720SP | 4 | 59 |
| SS4080620TP | 34 | 2 | SS7110740TP | 16 | 53 |
| SS4080620TP | 38 | 12 | SS7110740TP | 22 | 11 |
| SS4090615SP | 8 | 19 | SS7110740TP | 38 | 31 |
| SS4110515SP | 12 | 16 | SS7120770SH | 14 | 6 |
| SS4110515SP | 14 | 37 | SS7121410TP | 16 | 56 |
| SS4110615SP | 24 | 27 | SS7121410TP | 40 | 69 |
| SS4110715SP | 18 | 28 | SS7681650TP | 8 | 44 |
| SS4110915TP | 10 | 33 | SS8090670SP | 2 | 41 |
| SS4120615SP | 2 | 62 | SS8110410TP | 10 | 13 |
| SS4120615SP | 4 | 62 | SS8110520TP | 18 | 22 |
| SS4120615SP | 12 | 27 | SS8150710TP | 2 | 42 |
| SS4120615SP | 22 | 14 | SS8150710TP | 14 | 29 |
| SS4120615SP | 26 | 4 | SS8151150TP | 8 | 1 |
| SS4120925SP | 2 | 50 | SS8660610TP | 8 | 42 |
| SS4120925SP | 4 | 50 | SS8660610TP | 16 | 63 |
| SS4120925SP | 10 | 39 | SS8660810TP | 10 | 22 |
| SS4120925SP | 24 | 30 | SS8660810TP | 12 | 37 |
| SS4150915SP | 12 | 17 | SS8681650TP | 8 | 41 |
| SS4150915SP | 18 | 47 | TA0850604R0 | 2 | 5 |
| SS4150915SP | 26 | 24 | TA0850604R0 | 10 | 1 |
| SS4151215SP | 20 | 57 | TA1250406R0 | 4 | 49 |
| SS4151215SP | 22 | 25 | TA1250705R0 | 2 | 6 |
| SS6060210SP | 4 | 54 | TA2000502R0 | 2 | 16 |
| SS6080320SP | 38 | 16 | TA2100904R0 | 2 | 9 |
| SS6080410SP | 2 | 3 | TA2101002R0 | 2 | 19 |
| SS6090510TP | 18 | 16 | WP0371016SD | 36 | 58 |
| SS6090540SP | 24 | 24 | WP0371016SD | 38 | 34 |
| SS6090620TP | 14 | 41 | WP0450826SC | 6 | 23 |
| SS6090670TP | 10 | 5 | WP0480856SP | 16 | 57 |
| SS6090670TP | 14 | 3 | WP0482086SD | 24 | 31 |
| SS6090910SP | 12 | 38 | WP0531001SC | 32 | 22 |
| SS6110420TP | 10 | 30 | WP0621016SH | 18 | 32 |
| SS6110610TP | 4 | 48 | WP0722316SH | 34 | 31 |
| SS6110710TP | 20 | 54 | WP0722316SH | 38 | 46 |
| SS6111010TP | 26 | 25 | WP1602616SZ | 22 | 21 |
| SS6121610SP | 40 | 72 | WP1612616SE | 32 | 15 |
| SS6121840SP | 2 | 17 | WS0410002KR | 20 | 51 |
| SS6121860SP | 14 | 5 | WS0451040KP | 26 | 8 |
| SS6660610TP | 18 | 20 | WS0510002KN | 32 | 21 |
| SS6661110SP | 8 | 17 | WS0651310KP | 26 | 27 |
| SS6700710SH | 28 | 5 | WT0530002KS | 4 | 56 |