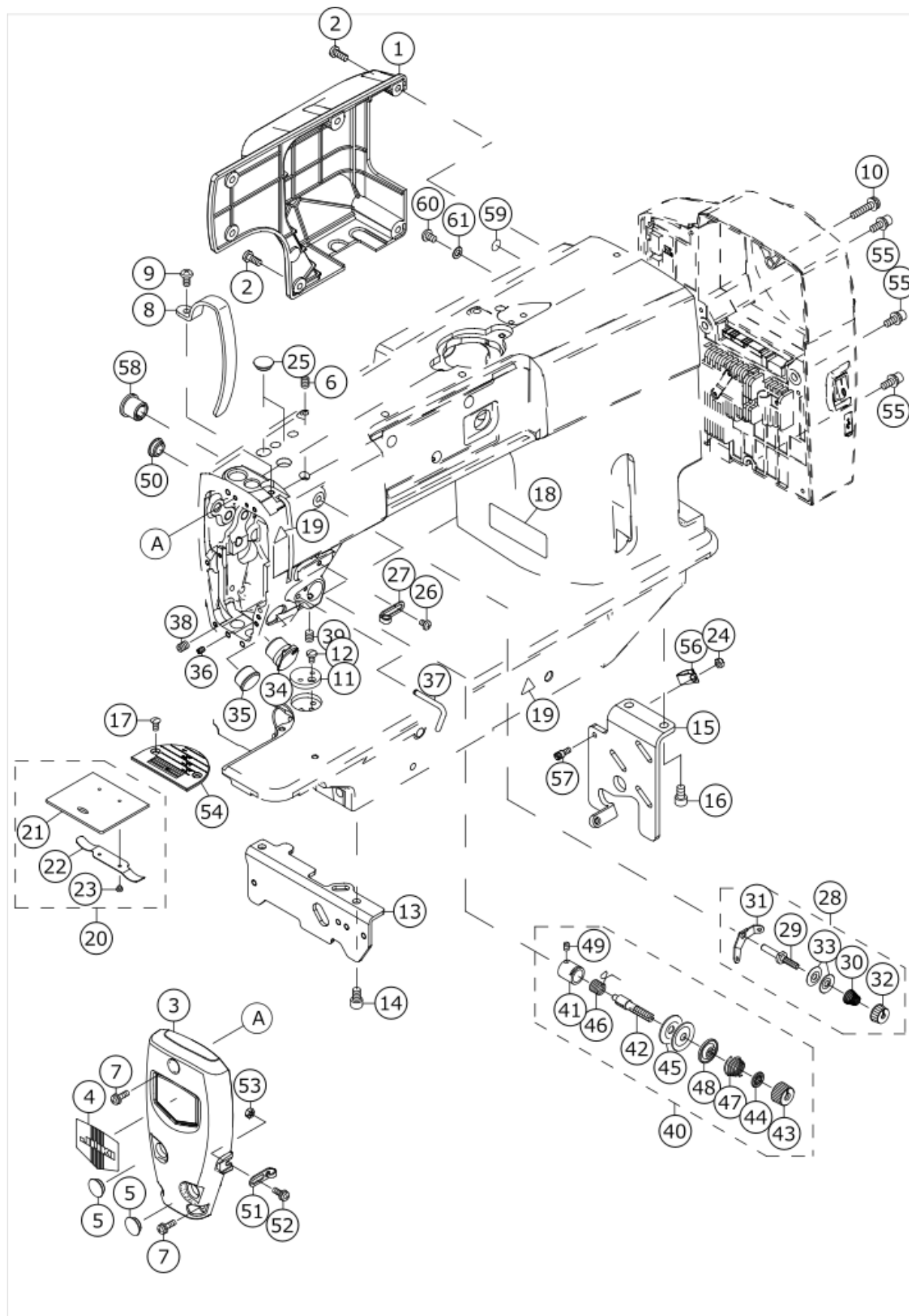


DDL-8000A

MACHINE FRAME & MISCELLANEOUS COVER COMPONENTS



No.	品番	品名	備考	子部品	消耗品	個数
1	40211061	AK COVER 8A				1.00
2	SM4051055SP	SCREW				6.00
3	40211078	FACE_COVER				1.00
4	22902506	PLATE				1.00
5	TA1250406R0	RUBBER PLUG D=12.5 L=4				2.00
6	SM80608A2TP	SCREW M6 L=8				1.00
7	SL4041491SC	SCREW 4 X 14				3.00
8	40172376	THREAD_TAKE_UP_COVER				1.00
9	SM4051055SP	SCREW				1.00
10	SL4052591SC	SCREW				1.00
11	40099083	RULER STOP SEAT				1.00
12	SS7110720SP	SCREW 11/64-40 L=7				1.00
13	40214746	BED BRACKET A				1.00
14	SM6060802TP	SCREW M6 L=8				2.00
15	40211076	BED BRACKET B				1.00
16	SM6061002TP	SCREW M6 L=10				2.00
17	SS2110920TP	SCREW 11/64-40 L=8.5				2.00
18	40213295	SAFETY LABEL S N				1.00
19	CM300200001	FINGER INJURY CAUTION LABLE (16)				2.00
20	22901250	SLIDE PLATE ASM.				1.00
21	22901201	SLIDE PLATE		*		1.00
22	22901300	SLIDE PLATE SPRING		*		1.00
23	SS6060210SP	SCREW 3/32-56 L=1.9		*		2.00
24	NM6040001SC	NUT M4X0.7 TYPE1				1.00
25	TA1250406R0	RUBBER PLUG D=12.5 L=4				2.00
26	SM5040655SN	SCREW				1.00
27	23626104	ARM THREAD GUIDE A				1.00
28	22945463	THREAD TENSION ASM. ,NO.1				1.00
29	22945414	THREAD TENSION POST		*		1.00
30	22945505	THREAD TENSION SPRING		*		1.00
31	22945604	THREAD TENSION GUIDE		*		1.00
32	22945703	THREAD TENSION NUT		*		1.00
33	22945802	THREAD TENSION DISK		*		2.00
34	40174373	THREAD NIPPER SOLENOID	FOR NB			1.00
35	40174392	ARM_CAP	FOR 0B			1.00
36	SM8040612TP	SCREW M4 L=6				1.00
37	40052933	ARM THREAD GUIDE C				1.00
38	SM80608A2TP	SCREW M6 L=8				1.00
39	SM80608A2TP	SCREW M6 L=8				1.00
40	22945356	THREAD TENSION ASM.				1.00
41	22945307	THREAD TENSION POST BASE		*		1.00
42	22921209	THREAD TENSION POST		*		1.00
43	22921308	THREAD TENSION NUT		*		1.00
44	22921407	ROTATION STOPPER		*		1.00
45	22921506	THREAD TENSION DISK		*		2.00
46	22921605	THREAD TAKE-UP SPRING		*		1.00
47	22921704	THREAD TENSION SPRING		*		1.00
48	22921803	DISK STOPPER		*		1.00
49	SS8090670SP	SCREW 9/64-40 L=5.5		*		1.00
50	TA1250406R0	RUBBER PLUG D=12.5 L=4				1.00

51	40009037	TAKE-UP THREAD GUIDE				1.00
52	SL4041281SC	SCREW M4X0.7 L=12				1.00
53	NM6040001SC	NUT M4X0.7 TYPE1				1.00
54	B1109552000	THROAT PLATE				1.00
55	SL4051691SC	SCREW M5X0.8 L=16				3.00
56	40136258	CORD HOLDER				1.00
57	40091461	FEED_LEVER_SPRING_HOOK				1.00
58	40174322	CORD_CLAMP_BUSH				1.00
59	22901805	GROUND MARK				1.00
60	SM4050855SP	SCREW				1.00
61	WT0530002KS	TOOTHED WASHER D=5.3				1.00

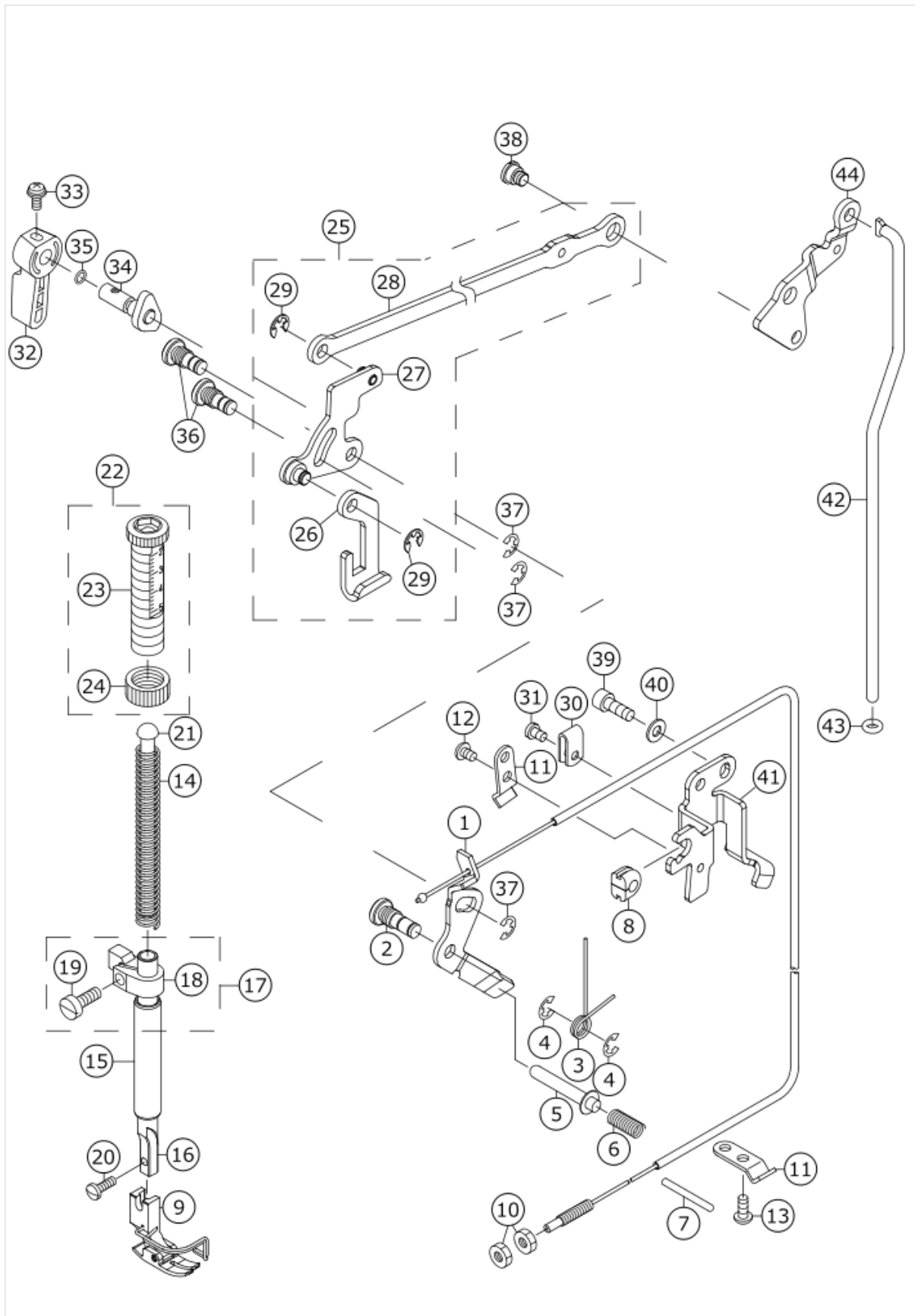
BOBBIN WINDER COMPONENTS

No.	品番	品名	備考	子部品	消耗品	個数
1	40191107	BOBBIN_WINDER_UNIT_N				1.00
2	22891204	BEARING_SUPPORT		*		1.00
3	40166870	WASHER		*		1.00
4	40166872	BOBBIN_SUPPORT		*		1.00
5	40166881	BOBBIN_FIXED_SPRING		*		1.00
6	40166885	BOBBIN_PRESSER_CAM		*		1.00
7	40166886	BOBBIN_WINDER_LEVER		*		1.00
8	40166887	BOBBIN_WINDER_LEVER_SPRING		*		1.00
9	40166888	SPRING		*		1.00
10	40166893	STOPPER_RUBBER		*		1.00
11	40166894	O_RING		*		1.00
12	40191108	BTW_BASE_N		*		1.00
13	40191109	BOBBIN_WINDER_SHAFT_N		*		1.00
14	40191111	BOBBIN_WINDER_ARM_SHAFT_N		*		1.00
15	40191113	BOBBIN_WINDER_WHEEL_N		*		1.00
16	40191114	BTW_WHEEL_RUBBER_N		*		1.00
17	40191115	BOBBIN_PRESSER_N		*		1.00
18	40191116	BOBBIN_WINDER_SUPPORT_N_ASM.		*		1.00
19	RE0500000K0	E-RING		*		1.00
20	SM5040655SN	SCREW		*		1.00
21	SM8040412TP	SET SCREW M4 L=4		*		2.00
22	SM8050502TP	SCREW M5 L=5		*		1.00
23	ST4030651SN	SCREW M3 X 6		*		1.00
24	SM0050801SC	SCREW				2.00
25	40088958	BOBBIN_THREAD_TENSION_ASM.				1.00
26	40088959	BOBBIN_THREAD_TENSION_ROD_ASM.		*		1.00
27	22921308	THREAD_TENSION_NUT		*		1.00
28	22921407	ROTATION_STOPPER		*		1.00
29	22921506	THREAD_TENSION_DISK		*		2.00
30	22921704	THREAD_TENSION_SPRING		*		1.00
31	SM4051055SP	SCREW				1.00
32	40037008	THREAD_CUTTER				1.00
33	SM0050801SC	SCREW				1.00

MAIN SHAFT & NEEDLE BAR COMPONENTS

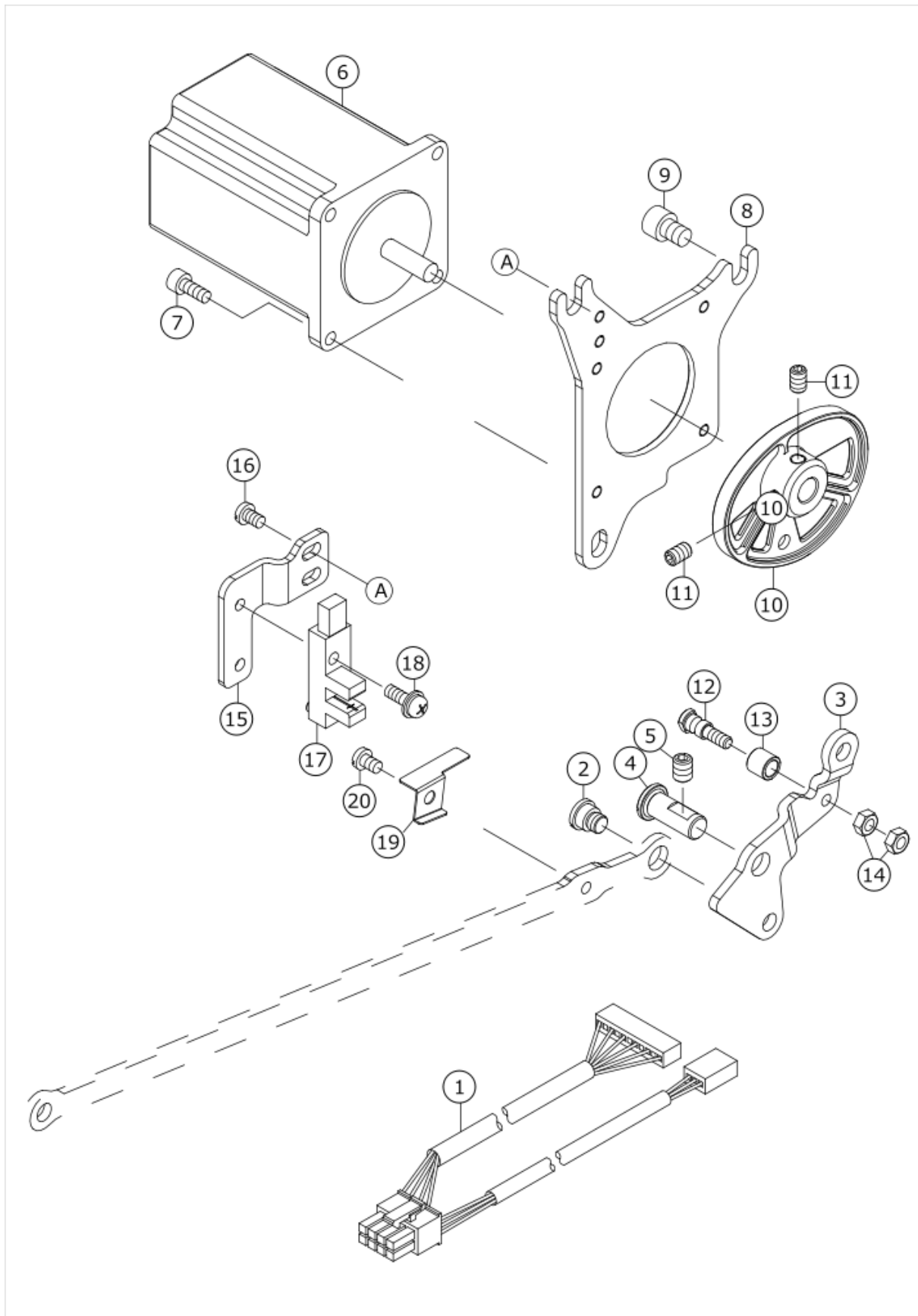
No.	品番	品名	備考	子部品	消耗品	個数
1	23608003	NEEDLE BAR METAL,UPPER				1.00
2	22901409	NEEDLE BAR UPPER BUSH CAP				1.00
3	22906457	NEEDLE BAR HOLDER ASM.				1.00
4	22906408	NEEDLE ROD HOLDER		*		1.00
5	SS6090670TP	SCREW 9/64 - 40 L=6		*		1.00
6	40090058	SLIDE BLOCK				1.00
7	22887004	NEEDLE BAR (B)	FOR BB			1.00
8	22886907	NEEDLE BAR (A)	FOR AA,GG			1.00
9	40086605	NEEDLE_BAR_LOWER_METAL_MD				1.00
10	40136292	BTW_DRIVING_WHEEL_ASM.				1.00
11	40136293	BTW_DRIVING_WHEEL		*		1.00
12	SM80506A2TP	SCREW M5 L=6		*		2.00
13	40150011	FRONT_BEARING				1.00
14	SM80608A2TP	SCREW M6 L=8				2.00
15	40135904	ASSY_COUNTER WEIGHT				1.00
16	40135916	COUNTER WEIGHT		*		1.00
17	40004171	COUNTER_WEIGHT_SCREW		*		1.00
18	SM8081652TP	SCREW M8 L=16		*		1.00
19	SM80606A2TP	SCREW M6 L=6		*		2.00
20	40086597	MAIN_SHAFT				1.00
21	40172398	COUPLING_ASM.				1.00
22	40172393	COUPLING		*		1.00
23	SM80608A2TP	SCREW M6 L=8		*		4.00
24	SB120002700	BEARING				1.00
25	40215866	HAND_WHEEL				1.00
26	SM80608A2TP	SCREW M6 L=8				2.00
27	40211082	AC SERVO MOTOR				1.00
28	SL6052592TN	BOLT				4.00
29	EA9500B0100	CABLE BAND				1.00
30	40174341	THREAD_TAKE_UP_COMP.				1.00
31	40135905	THREAD_TAKE_UP_ASM_C		*		1.00
32	40174342	TAKE_UP_CRANK_ASM.		*		1.00
33	40174343	TAKE_UP_CRANK		*		1.00
34	40174344	TAKE_UP_CRANK_SHAFT		*		1.00
35	40135907	THREAD_TAKE_UP_PIN		*		1.00
36	RE0300000K0	E-RING 3		*		2.00
37	SM80608A2TP	SCREW M6 L=8				2.00
38	40032269	THRUST COLLAR				1.00
39	CS1000881TP	THRUST COLLAR		*		1.00
40	SM80506A2TP	SCREW M5 L=6		*		2.00
41	SM4050855SP	SCREW				1.00
42	MC200500750	NEEDLE 134 NM75	FOR BB			1.00
43	MDB100B1100	NEEDLE DBX1 #11	FOR AA,GG			1.00
44	40141440	UPPER SPROCKET ASM.				1.00
45	SM6042000SP	SCREW		*		3.00
46	40086731	TIMING_BELT_550				1.00
47	22906309	NEEDLE BAR THREAD GUIDE				1.00
48	SS7080510TP	SCREW 1/8 - 44 L=4.5				1.00
49	40174349	NEEDLE BAR THREAD GUIDE				1.00
50	40215263	MOTOR CABLE GUIDE				1.00

HAND LIFTER & TENSION RELEASE COMPONENTS



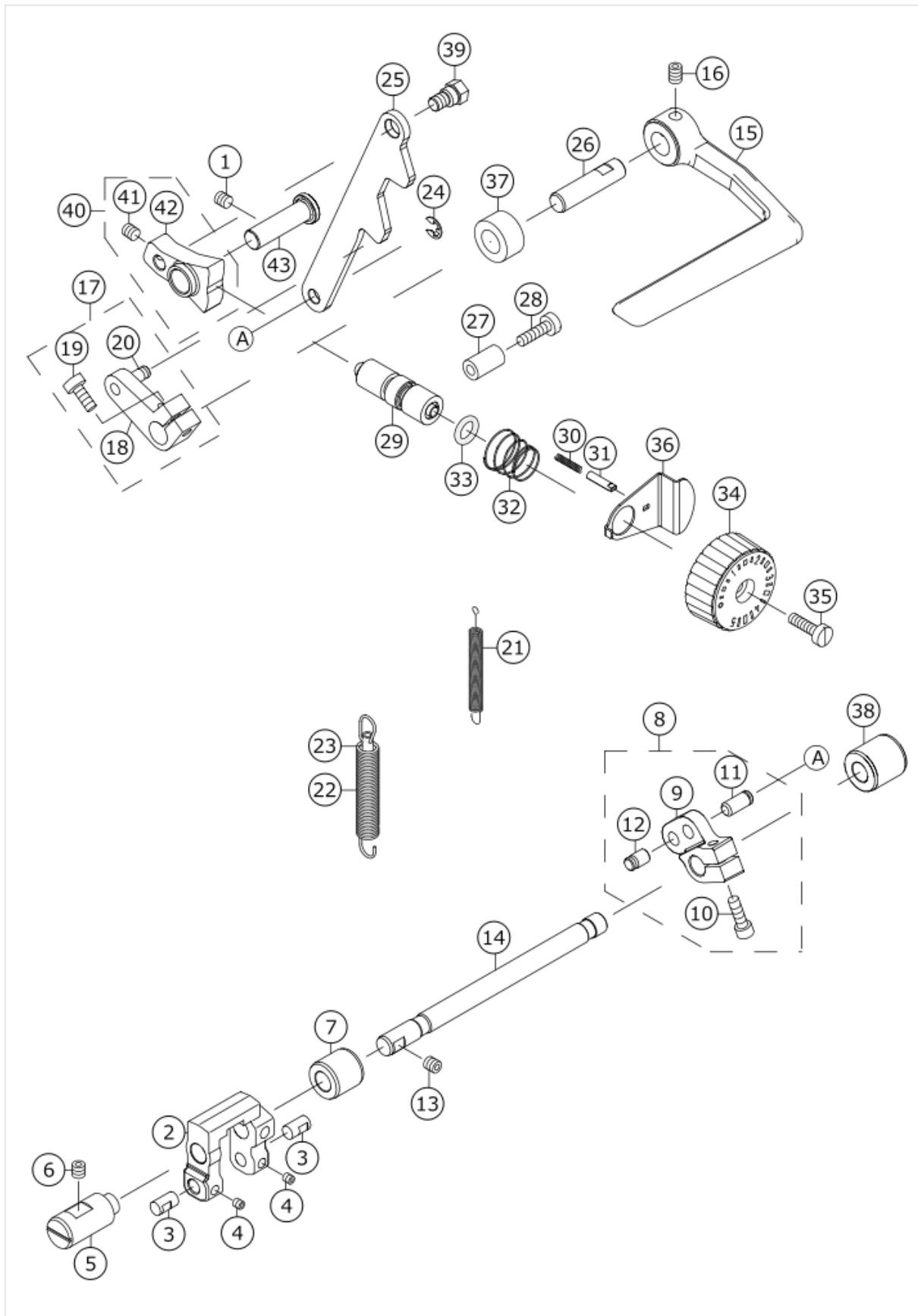
No.	品番	品名	備考	子部品	消耗品	個数
1	40211525	THREAD RELEASE WIRE ASM.				1.00
2	40050582	TENSION RELEASE SHAFT				1.00
3	23626807	TENSION RELEASE RETURN SPRING				1.00
4	RE0500000K0	E-RING				2.00
5	22920300	THREAD RELEASE SUPPORTING PIN				1.00
6	22920409	THREAD RELEASE PIN SPRING				1.00
7	B3118552F00	TENSION RELEASING PIN				1.00
8	GPK26023000	BUSH A				1.00
9	B15240120BA	PRESSER FOOT ASM.				1.00
10	NS6620310SP	NUT 3/16-32				2.00
11	22944508	WIRE PRESSER A				2.00
12	SM4040655SP	SCREW M4 L=6				1.00
13	SM4041055SP	SCREW				1.00
14	22907406	PRESSER SPRING				1.00
15	23609001	BUSHING				1.00
16	40017805	PRESSER BAR				1.00
17	40086606	PRESSER_BAR_GUIDE_BRACKET_ASM.				1.00
18	40086607	PRESSER_BAR_GUIDE_BRACKET		*		1.00
19	SM6051400SP	SCREW		*		1.00
20	SS7091110TP	SCREW 9/64-40 L=10.5				1.00
21	22907703	PRESSER GUIDE BAR				1.00
22	40037359	PRESSER SPRING REGURATOR ASM.				1.00
23	40037141	PRESSER SPRING REGULATOR		*		1.00
24	40037144	PRESSER SPRING REGULATOR NUT		*		1.00
25	40211528	LIFT LINK ASSY				1.00
26	22908008	LIFTING PLATE		*		1.00
27	40211527	LIFTING LINK ASM.		*		1.00
28	40211526	LIFT LINK PLATE		*		1.00
29	RE0500000K0	E-RING		*		2.00
30	HX001500000	CLIP				1.00
31	SM4040601SC	SCREW M4X0.7 L=6				1.00
32	22907802	HAND LIFTER				1.00
33	B1521555000	SCREW				1.00
34	22908552	HAND LIFTER CAM ASM.				1.00
35	RO037180100	RUBBER RING				1.00
36	40050583	LINK SHAFT				2.00
37	RE0500000K0	E-RING				3.00
38	40174388	HINGE_SCREW				1.00
39	SM6051402TP	SCREW M5X0.8 L=14				2.00
40	WP0501016SD	WASHER 5X10.5X1				2.00
41	40174573	CABLE_CLAMP_PLATE				1.00
42	40172403	CONNECTING ROD				1.00
43	RO044240100	RUBBER RING				1.00
44	40172401	AK_LEVER				1.00

HAND LIFTER COMPONENTS (AK)



No.	品番	品名	備考	子部品	消耗品	個数
1	40211512	MOTOR RELAY CABLE ASSY				1.00
2	40174388	HINGE_SCREW				1.00
3	40172401	AK_LEVER				1.00
4	40172402	PRESSER_LEVER_SHAFT				1.00
5	SM80608A2TP	SCREW M6 L=8				1.00
6	40211442	PRESSER MOTOR				1.00
7	SM6040802TP	SCREW M4X0.7 L=8				4.00
8	40212095	MOTOR BASE				1.00
9	SM6060802TP	SCREW M6 L=8				3.00
10	40174375	CAM				1.00
11	SM8050852TP	SCREW M5X8				2.00
12	40040256	CAM_ROLLER_SHAFT				1.00
13	40004254	UTT_CAM_ROLLER				1.00
14	NM6040001SP	NUT M4X0.7				2.00
15	40212098	PBL SENSOR BKT				1.00
16	SM4040655SP	SCREW M4 L=6				2.00
17	HD002230000	PHOTO SENSOR				1.00
18	SL4041291SC	SCREW M4 L=12				1.00
19	40211777	PBL SENSOR PLATE				1.00
20	SM4040655SP	SCREW M4 L=6				1.00

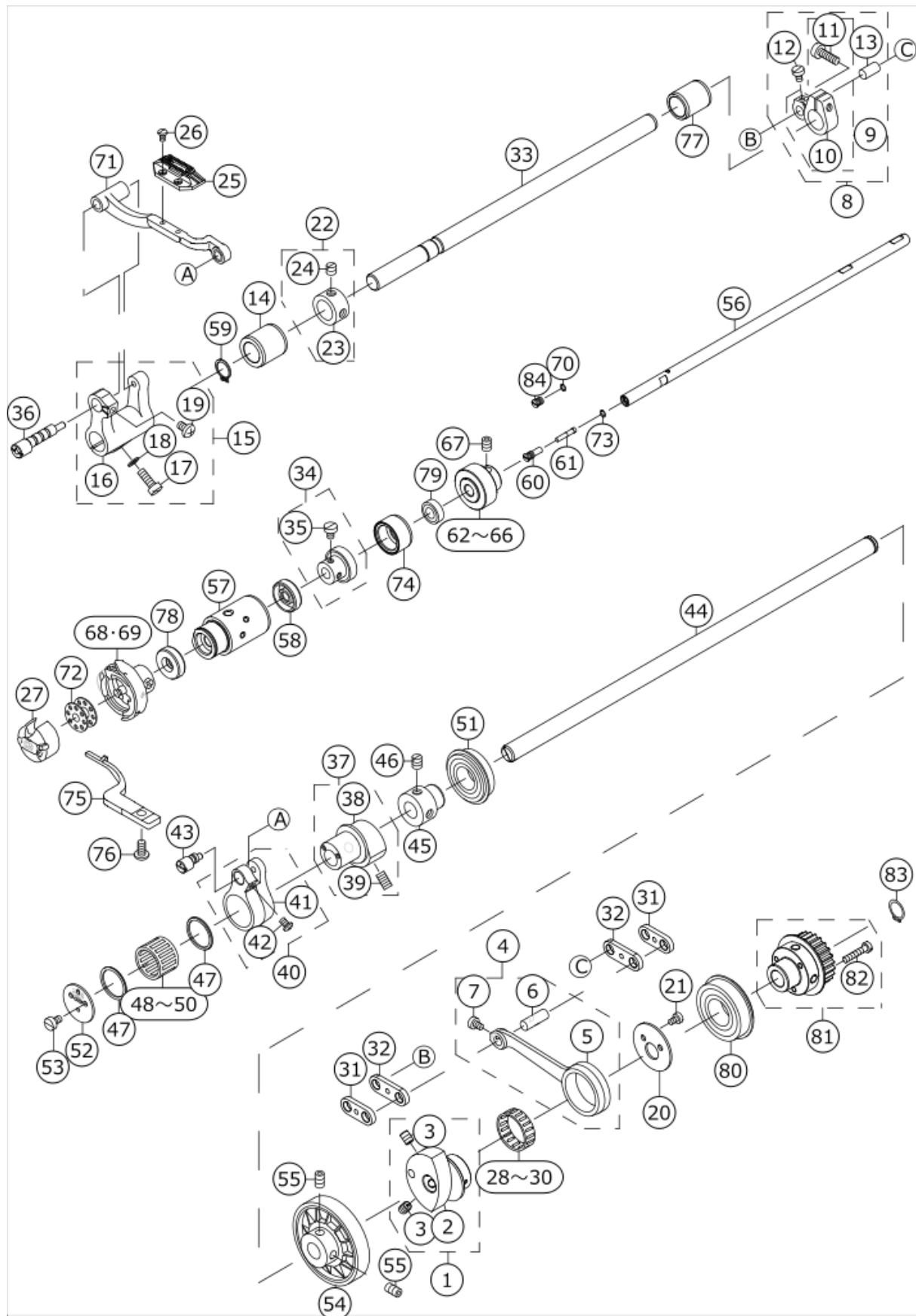
FEED ADJUST MECHANISM COMPONENTS



No.	品番	品名	備考	子部品	消耗品	個数
1	SM80608A2TP	SCREW M6 L=8				1.00
2	40086695	FEED_ADJUSTING_LINK				1.00
3	40086696	FEED_ADJUSTING_LINK_PIN				2.00
4	SM80506A2TP	SCREW M5 L=6				2.00
5	40172467	ADJUSTING_LINK_FULCRUM_SHAFT				1.00
6	SM80606A2TP	SCREW M6 L=6				1.00
7	40172508	FEED_CHANGING_SHAFT_METAL_A				1.00
8	40086704	FEED_CHANGING_SHAFT_ARM_ASM.				1.00
9	40086705	FEED_CHANGING_SHAFT_ARM		*		1.00
10	SM6051602TP	SCREW M5X0.8 L=16		*		1.00
11	22910509	FEED ADJUSTING LINK PIN		*		1.00
12	40086706	FEED_CHANGING_SPRING_PIN		*		1.00
13	SM80606A2TP	SCREW M6 L=6				1.00
14	40172460	FEED_CHANGING_SHAFT				1.00
15	40211523	REVERSE FEED LEVER				1.00
16	SM80606A2TP	SCREW M6 L=6				2.00
17	40086674	FEED_LEVER_ARM_ASM.				1.00
18	40086675	FEED_LEVER_ARM		*		1.00
19	SM6051602TP	SCREW M5X0.8 L=16		*		1.00
20	22912307	PIN		*		1.00
21	40086739	FEED LEVER SPRING				1.00
22	40086737	FEED ADJUSTING SPRING				1.00
23	23630007	TUBE				0.10
24	RE0500000K0	E-RING				1.00
25	40211502	FEED ADJUSTING ROD				1.00
26	40211449	FEED_LEVER_SHAFT				1.00
27	22952501	BACK LEVER STOPPER				1.00
28	SM6051850TP	SCREW M5 L=18				1.00
29	40141842	FEED_REGULATOR_SCREW				1.00
30	22912109	FEED REGULATOR PIN SPRING				1.00
31	40161440	FEED_REGULATOR_PIN				1.00
32	40141840	REGULATOR STOPPER SPRING				1.00
33	RO092270200	RUBBER RING				1.00
34	40211459	REGULATOR PIN DIAL				1.00
35	SS6121860SP	SCREW 3/16-28 L=18				1.00
36	40161441	REGULATOR_PIN_STOPPER				1.00
37	40211953	FEED REVER SHAFT METAL				1.00
38	40086616	FEED_CHANGING_SHAFT_METAL_B				1.00
39	23613409	FEED ADJUSTING PIN				1.00
40	40095847	FEED REGULATOR ASM.				1.00
41	SM80606A2TP	SCREW M6 L=6		*		1.00
42	40122891	FEED_REGULATOR		*		1.00
43	40006716	THREAD_TRIMMER_SHAFT				1.00

HORIZONTAL FEED, VERTICAL FEED & HOOK DRIVING SHAFT COMPONENTS

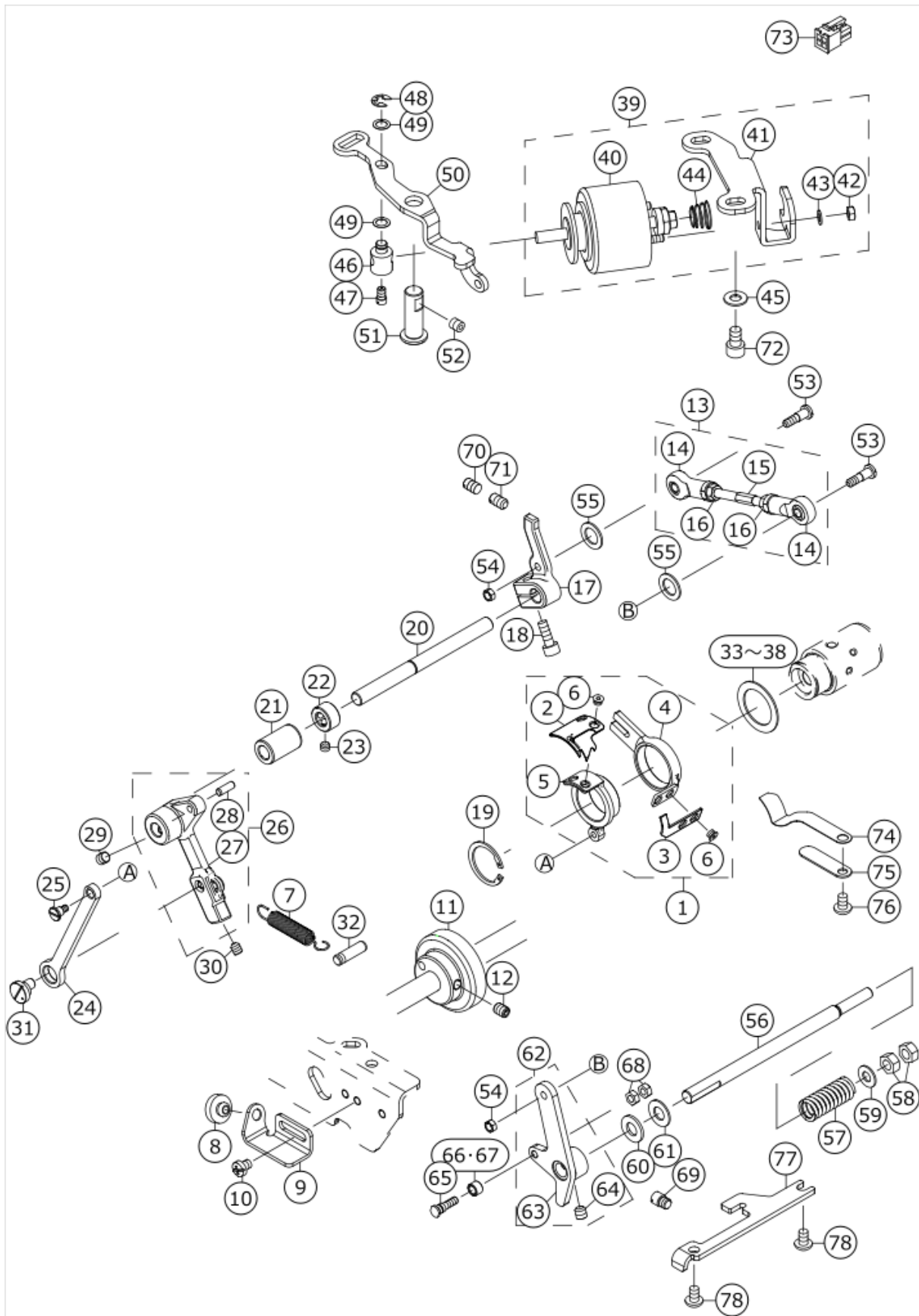
TS



No.	品番	品名	備考	子部品	消耗品	個数
1	40174296	ASSY_FEED_ROCKER_CAM				1.00
2	40174297	FEED_ROCKER_CAM		*		1.00
3	SS8150822TP	SCREW 15/64-28 L=8		*		2.00
4	40037365	FEED ROCKER ROD ASM.				1.00
5	40026277	FEED ROCKER ROD		*		1.00
6	22911101	WALKING FOOT PIN C		*		1.00
7	SS6090620TP	SCREW		*		1.00
8	40061246	FEED ROCKER ARM ALL ASM.				1.00
9	40058504	FEED ROCKER ARM ASM.		*		1.00
10	40042079	FEED ROCKER ARM		*		1.00
11	SS6121610SP	SCREW 3/16-28 L=15.5		*		1.00
12	SS6090620TP	SCREW		*		1.00
13	22911002	WALKING FOOT PIN B		*		1.00
14	40213205	FEED ROCKER SHAFT BUSHING				1.00
15	40037005	ASSY_FEED_ROCKER_BASE_ARM				1.00
16	40026281	FEED ROCKER BASE ARM		*		1.00
17	SM6051400SP	SCREW		*		1.00
18	WP0531000SD	WASHER M5		*		1.00
19	SM4050855SP	SCREW		*		1.00
20	40174298	FEED_ROCKER_CAM_TOP				1.00
21	SS6090670TP	SCREW 9/64-40 L=6				2.00
22	22904155	MAIN SHAFT THRUST COLLAR ASM.				1.00
23	22904106	MAIN SHAFT THRUST COLLAR		*		1.00
24	SS8660610TP	SCREW 1/4-40 L=6		*		2.00
25	40133950	FEED DOG M				1.00
26	SS4080620TP	SCREW 1/8-44 L=6				2.00
27	11038759	BOBBIN CASE ASM.				1.00
28	B412352200A	NEEDLE BEARING	SELECTIVE PARTS			1.00
29	B412352200B	NEEDLE ROLLAR	SELECTIVE PARTS			1.00
30	B412352200C	NEEDLE ROLLAR	SELECTIVE PARTS			1.00
31	40174300	FEED_CONNECTING_LINK_A				2.00
32	40174302	FEED_CONNECTING_LINK_B				2.00
33	40211085	FEED ROCKER SHAFT				1.00
34	40191133	HOOK SHAFT REAR BEARING				1.00
35	SS6110710TP	SCREW 11/64-40 L=6.5		*		2.00
36	40026282	FEED ROCKER BASE SHAFT				1.00
37	40000391	VERTICAL FEED CAM ASM. 5				1.00
38	40000392	VERTICAL FEED CAM 5		*		1.00
39	SS8151150TP	SCREW 15/64-28 L=10.5		*		2.00
40	40053720	FEED DRIVING BASE ARM ASM.				1.00
41	40026287	FEED DRIVING BASE ARM		*		1.00
42	SM4040655SP	SCREW M4 L=6		*		1.00
43	40026288	FEED DRIVING BASE SHAFT				1.00
44	40211086	FEED DRIVING SHAFT				1.00
45	40086690	FEED_DRIVING_BEARING_SUPPORT				1.00
46	SS8661012TP	SCREW				2.00
47	23618101	FEED DRIVING CAM THRUST BUSH				2.00

48	SB32000060A	BEARING	SELECTIVE PARTS			1.00
49	SB32000060B	BEARING	SELECTIVE PARTS			1.00
50	SB32000060C	BEARING	SELECTIVE PARTS			1.00
51	SB117001200	BEARING				1.00
52	23618309	FEED DRIVING CAM PLATE				1.00
53	SS6090670TP	SCREW 9/64-40 L=6				2.00
54	40174334	GEAR_LARGE				1.00
55	SM80608A2TP	SCREW M6 L=8				2.00
56	40174328	HOOK_SHAFT				1.00
57	40174331	HOOK_SHAFT_METAL_ASM.				1.00
58	40145927	OIL SEAL				1.00
59	RC0150001KP	C-RING 15(13.8)				1.00
60	22916506	SET SCREW				1.00
61	11015906	OIL WICK				1.00
62	40174335	GEAR_SMALL_A	SELECTIVE PARTS			1.00
63	40174336	GEAR_SMALL_B	SELECTIVE PARTS			1.00
64	40174337	GEAR_SMALL_C	SELECTIVE PARTS			1.00
65	40174338	GEAR_SMALL_D	SELECTIVE PARTS			1.00
66	40174369	GEAR_SMALL_E	SELECTIVE PARTS			1.00
67	SM80608A2TP	SCREW M6 L=8				2.00
68	11141355	HOOK ASM.	FOR BB			1.00
69	11038650	HOOK ASM.	FOR AA,GG			1.00
70	RO036080200	RUBBER RING	OPTIONAL PARTS			1.00
71	40030786	FEED BASE COMPL.				1.00
72	22932909	BOBBIN				1.00
73	RO036080200	RUBBER RING				1.00
74	40174333	HOOK SHAFT REAR METAL				1.00
75	40089607	INNER_HOOK HOLDER				1.00
76	SM4051055SP	SCREW				1.00
77	22913008	FEED ROCKER SHAFT BUSHING				1.00
78	40010805	OIL SEAL RING				1.00
79	SB108000100	BEARING				1.00
80	SB120001800	BEARING				1.00
81	40174577	UNDER_SPROCKET_ASM.				1.00
82	SM6042000SP	SCREW		*		3.00
83	RC1200001KP	C-SHAPED SNAP RING				1.00
84	11079506	FRONT SCREW	OPTIONAL PARTS			1.00

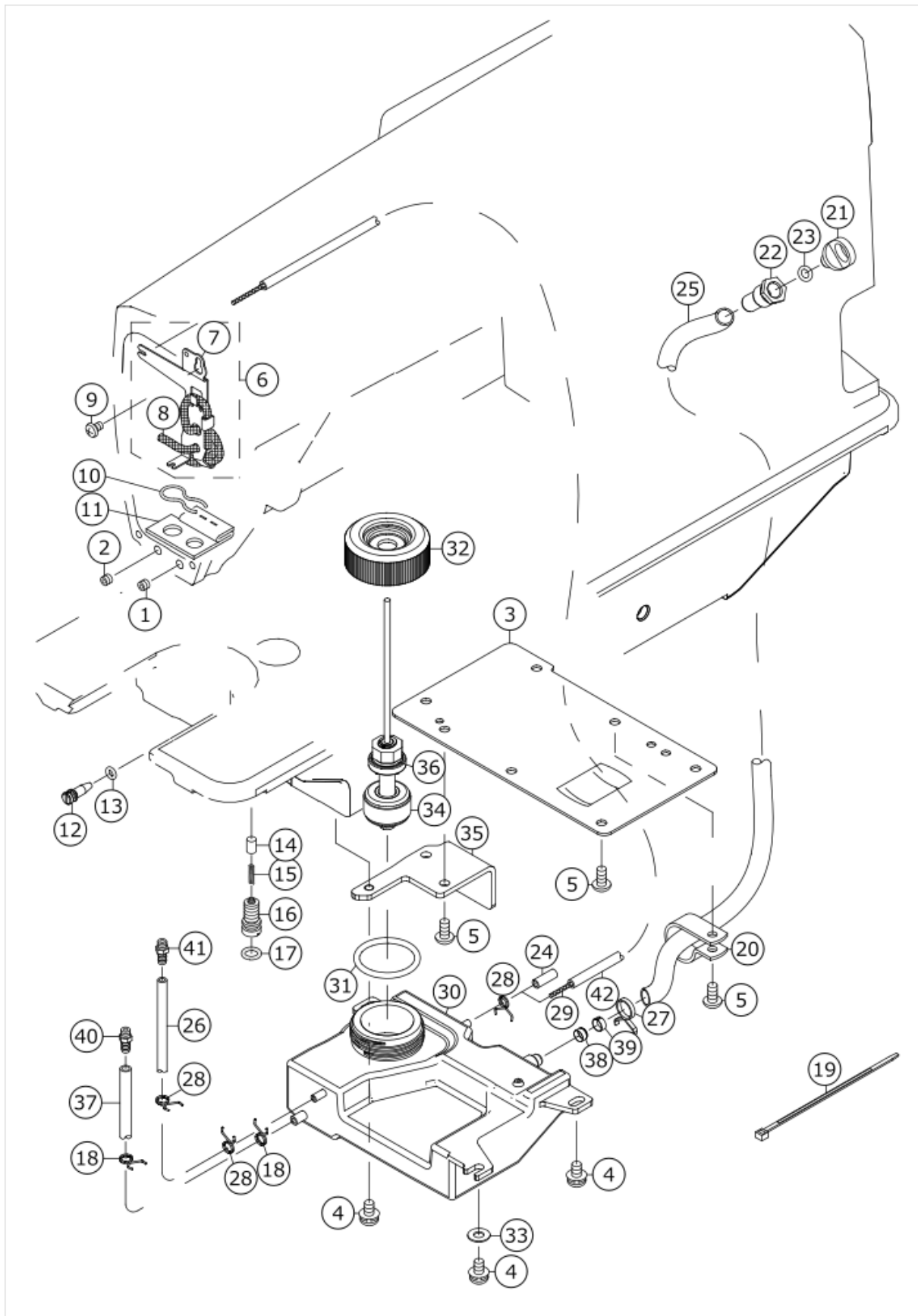
THREAD TRIMMER COMPONENTS



No.	品番	品名	備考	子部品	消耗品	個数
1	40211087	KNIFE UNIT				1.00
2	40195289	MOVING_KNIFE		*		1.00
3	40195552	THREAD_TRIMMER_KNIFE_H		*		1.00
4	40174318	THREAD_TRIMMER_BASE		*		1.00
5	40211713	MOVING KNIFE BASE		*		1.00
6	11420601	SCREW		*		4.00
7	40211778	TRIMMER BACK SPRING				1.00
8	B1116210D00	FRAME SUPPORT RUBBER				1.00
9	40172498	RUBBER_STOPPER_PLATE				1.00
10	SM4050655SP	SCREW M5 L=6				2.00
11	40214565	THREAD TRIMMER CAM A				1.00
12	SM80608A2TP	SCREW M6 L=8				2.00
13	40174323	CONNECTING_ROD_ASM_R				1.00
14	40136701	ROD_END		*		2.00
15	40174324	CONNECTING_BAR		*		1.00
16	NM6050001SC	NUT M5X0.8 TYPE1		*		2.00
17	40174315	TRIMMER_MOVING_ARM				1.00
18	SM6051402TP	SCREW M5X0.8 L=14				1.00
19	RC2651218KP	RETAINING RING				1.00
20	40213952	TRIMMER MOVING SHAFT				1.00
21	40172482	THREAD_TRIMMER_METAL_A				1.00
22	CS0800881TP	THRUST COLLAR				1.00
23	SM80506A2TP	SCREW M5 L=6				2.00
24	40215691	THREAD TRIMMER ROD				1.00
25	SD0500403TP	SCREW				1.00
26	40174600	THREAD_TRIMMER_ARM_ASM.				1.00
27	40174314	THREAD_TRIMMER_ARM		*		1.00
28	40172479	THREAD_TRIMMER_ARM_PIN		*		1.00
29	SM8480652TP	SCREW				1.00
30	SM80506A2TP	SCREW M5 L=6				2.00
31	40215688	TRIMMER ADJUSTING PIN				1.00
32	22912307	PIN				1.00
33	11419504	THRUST COLLAR A	SELECTIVE PARTS			1.00
34	11419603	THRUST COLLAR B	SELECTIVE PARTS			1.00
35	11419702	THRUST COLLAR C	SELECTIVE PARTS			1.00
36	11419801	THRUST COLLAR D	SELECTIVE PARTS			1.00
37	11419900	THRUST COLLAR E	SELECTIVE PARTS			1.00
38	40174612	SPACER	SELECTIVE PARTS			1.00
39	40211510	THREAD TRIMMER SOLENOID D ASM.				1.00
40	40211511	THREAD TRIMMER SOLENOID		*		1.00
41	40174583	SOLENOID_INSTALLING_BASE		*		1.00
42	NM6040001SE	NUT M4		*		2.00
43	WS0410002KR	SPRING WASHER M4		*		2.00
44	40174584	SPRING		*		1.00

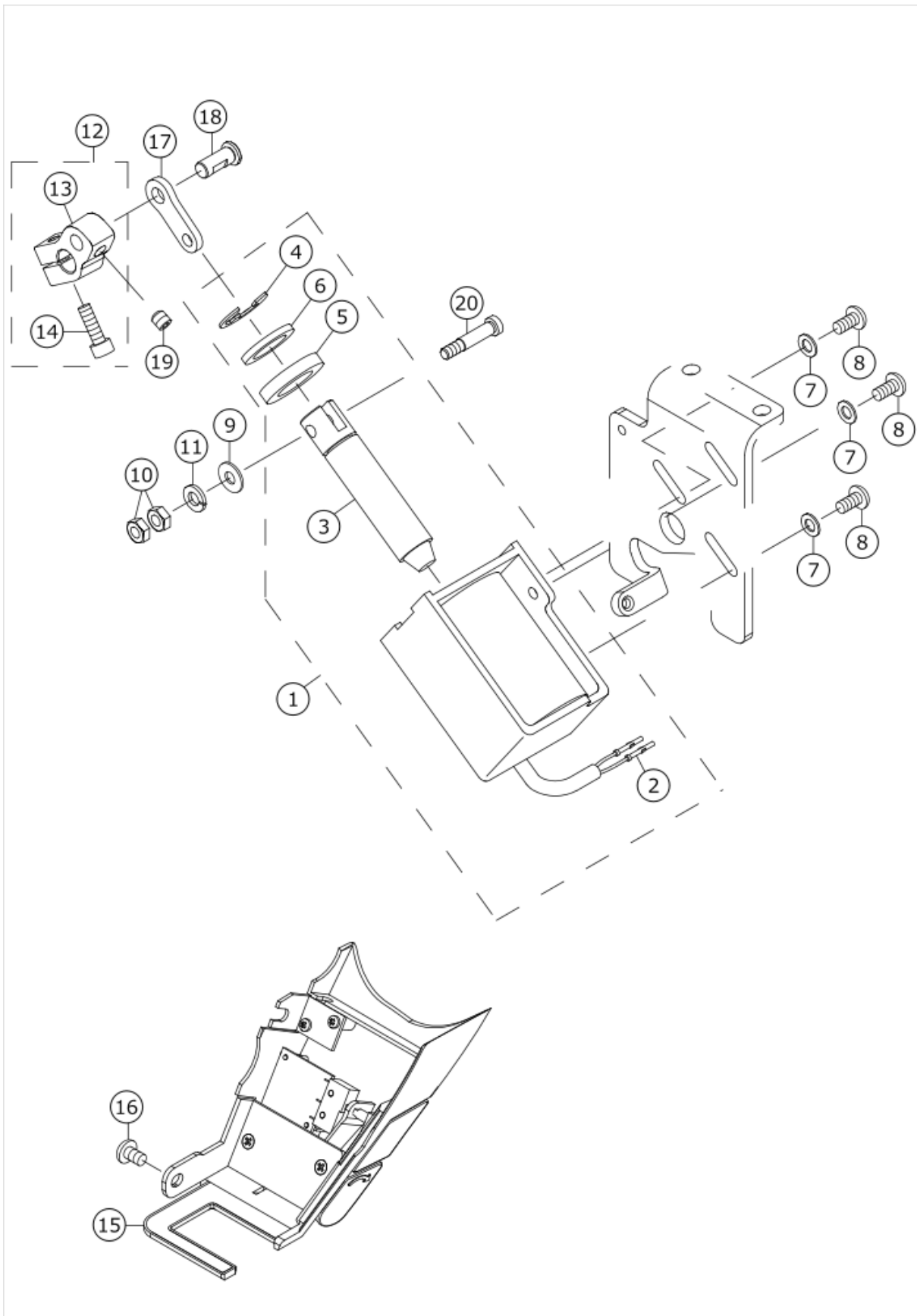
45	WP0621016SD	WASHER 6.2X13X1				2.00
46	40086711	SORENOID_PIN				1.00
47	SS6110710TP	SCREW 11/64-40 L=6.5				1.00
48	RE0500000K0	E-RING				1.00
49	10618304	VERTICAL ROLLER WASHER				2.00
50	40172495	CLUTCH_PLATE				1.00
51	40086635	CLUTCH_SHAFT				1.00
52	SM8060812TP	SCREW M6 L=8				1.00
53	SD0500701TP	SHOULDER SCREW				2.00
54	NS6110310SP	HEXAGONAL NUT 11/64-40				2.00
55	40086712	CONNECTING ROD FELT				2.00
56	40172496	THREAD_TRIMMER_SHAFT				1.00
57	40172504	THREAD_TRIMMER_SPRING_D				1.00
58	NM6060001SC	NUT M6X1 TYPE1				2.00
59	WP0621016SH	WASHER				1.00
60	B1116804000	CLOTH PLATE WASHER				1.00
61	40090099	WASHER				1.00
62	40182053	ASSY_CAM_FOLLOWER				1.00
63	40181990	CAM_FOLLOWER_ASM.		*		1.00
64	SM80606A2TP	SCREW M6 L=6		*		2.00
65	40086748	ROLLER SHAFT				1.00
66	40015671	CAM_ROLLER	SELECTIVE PARTS			1.00
67	40174610	CAM_ROLLER_B	SELECTIVE PARTS			1.00
68	NM6040001SP	NUT M4X0.7				2.00
69	40086623	STOPPER_SCREW				1.00
70	SM8061050TP	SCREW				1.00
71	SM8061010TP	SCREW				1.00
72	SM6061002TP	SCREW M6 L=10				2.00
73	HK034610040	HOUSING				1.00
74	40211454	LOWER THREAD FINGER				1.00
75	40211898	LOWER THREAD FINGER PLATE				1.00
76	SM4050855SP	SCREW				1.00
77	40214745	CAM FOLLOWER STOPPER				1.00
78	SM4050855SP	SCREW				2.00

OIL LUBRICATION COMPONENTS



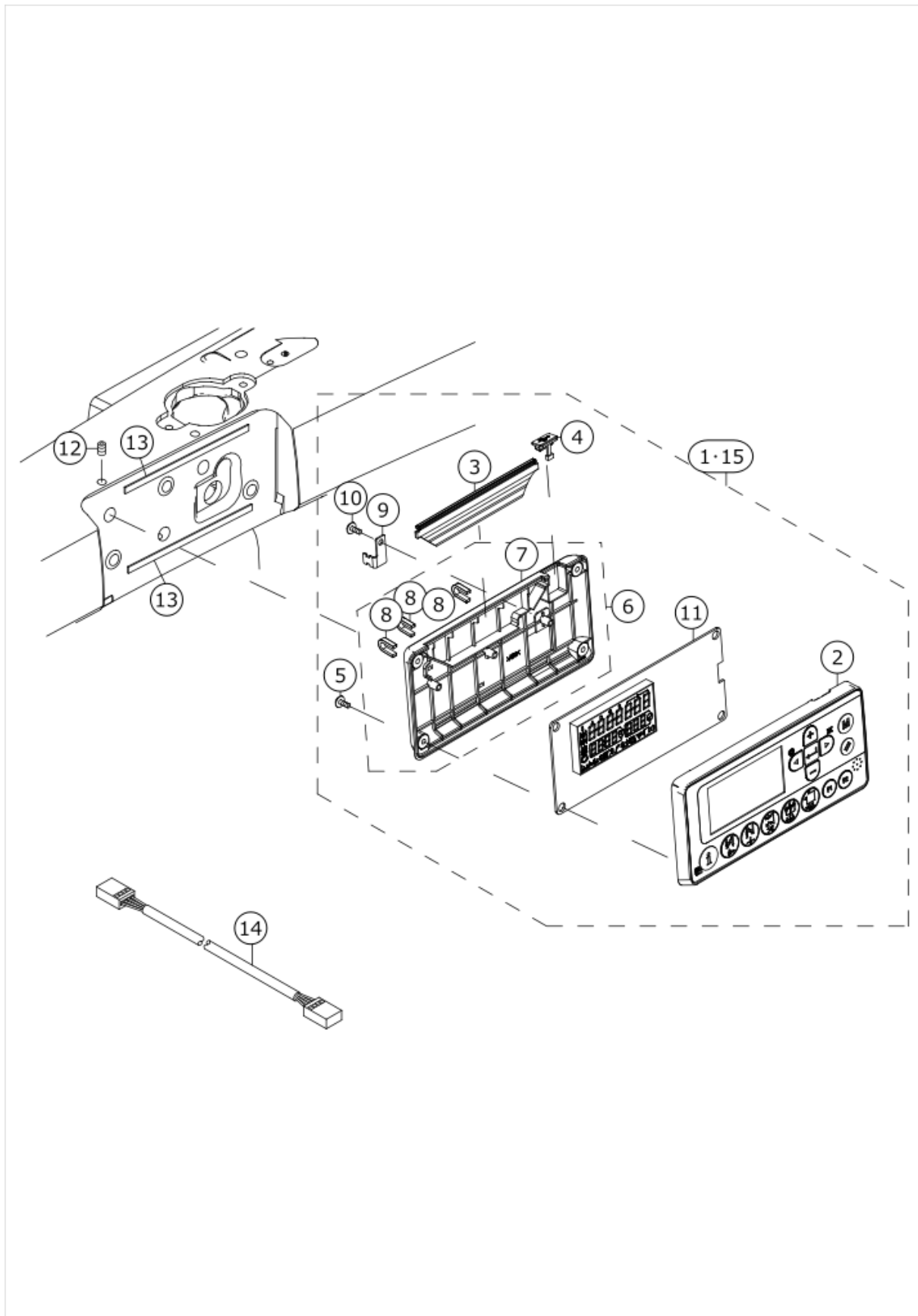
No.	品番	品名	備考	子部品	消耗品	個数
1	SM8050402TP	SCREW				1.00
2	SM8050402TP	SCREW				1.00
3	40174358	GEAR_BOX_COVER				1.00
4	SL4051091SC	SCREW M5X0.8 L=10				3.00
5	SM4051055SP	SCREW				7.00
6	23629256	OIL WICK SUPPORT ASM.	DDL-8000A-SSH ONLY			1.00
7	23629207	OIL WICK SUPPORT	DDL-8000A-SSH ONLY	*		1.00
8	CQ250000001	OIL WICK	DDL-8000A-SSH ONLY	*		0.25
9	SM5040655SN	SCREW	DDL-8000A-SSH ONLY			1.00
10	22925101	OIL FELT PRESSER	DDL-8000A-SSH ONLY			1.00
11	40075404	FACE FELT ASM.	DDL-8000A-SSH ONLY			1.00
12	40174365	OIL ADJUSTING SCREW				1.00
13	RO037180100	RUBBER RING				1.00
14	23628803	PLUNGER				1.00
15	23628902	PLUNGER SPRING				1.00
16	40038328	PLUNGER SCREW				1.00
17	RO068190100	RUBBER RING				1.00
18	40215311	PIPE STOPPER				2.00
19	EA9500B0100	CABLE BAND				1.00
20	HX00150000K	CABLE CLIP				1.00
21	40000344	LUBRICATING INLET CAP				1.00
22	40029075	LUBRICATING_INLET				1.00
23	RO048190100	RUBBER RING				1.00
24	23540305	FLOATER CASE CAP	DDL-8000A-MS ONLY			1.00
25	23630106	TUBE B				0.30
26	23630007	TUBE				0.12
27	23629405	PIPE STOPPER B				1.00
28	23629306	PIPE STOPPER A				3.00
29	CQ200000001	OIL WICK	DDL-8000A-SSH ONLY			0.90
30	40221269	OIL TANK				1.00
31	40221271	O-RING				1.00
32	40221270	OIL LEVEL SWITCH CAP				1.00
33	WP0560860SE	WASHER 5.6X12X0.8				1.00
34	40209293	FLOATER SENSOR				1.00
35	40221273	OIL TANK STAY				1.00
36	RO118180100	O-RING				1.00
37	40178658	PIPE				0.16
38	23630403	OIL FILTER				1.00
39	23630502	OIL FILTER STOPPER				1.00
40	40174356	CONNECTING SCREW				1.00
41	SQ2050453MZ	CONNECTING SCREW				1.00
42	23630007	TUBE	DDL-8000A-SSH ONLY			0.60

AUTOMATIC REVERSE FEED COMPONENTS



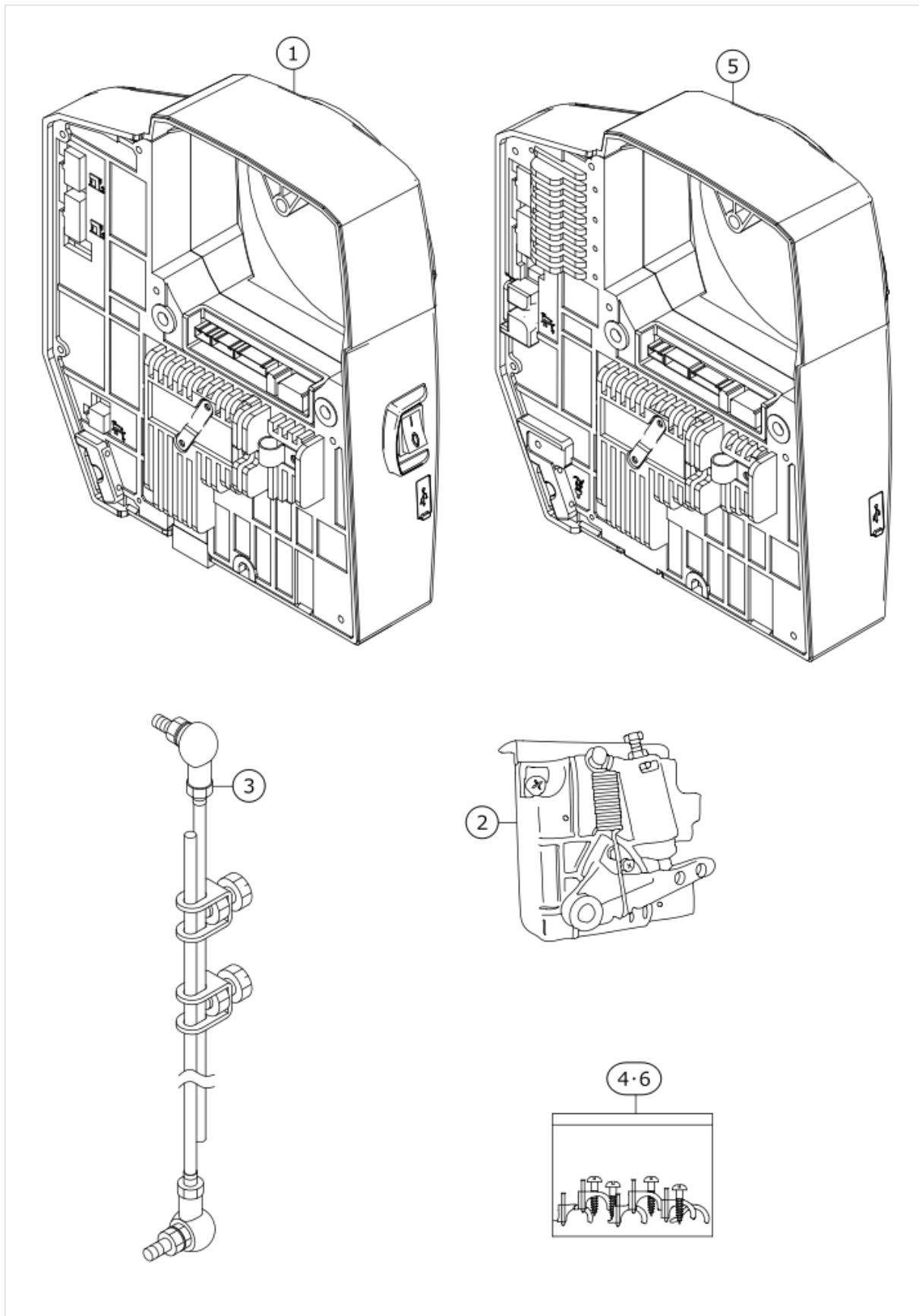
No.	品番	品名	備考	子部品	消耗品	個数
1	40211518	REVERSE FEED SOLENOID ASM.				1.00
2	HK03464000B	PIN CONTACT		*		2.00
3	40086753	REVERSE FEED SOLENOID PLUNGER		*		1.00
4	RE1200000K0	E-RING 12		*		1.00
5	D2468555B00	RUBBER PLUNGER		*		1.00
6	WP1602616SZ	WASHER 16X24X2.6		*		1.00
7	WP0550800SP	WASHER 5.5X10X0.8				3.00
8	SM4051055SP	SCREW				3.00
9	WP0551016SH	WASHER 5.5X13X1				1.00
10	NM6050001SP	NUT M5				2.00
11	WS0610002KN	SPRING WASHER 6.1X12.2X1.5				1.00
12	40095844	REVERSE FEED ARM ASM.				1.00
13	40086698	REVERSE_FEED_ARM		*		1.00
14	SM6051602TP	SCREW M5X0.8 L=16		*		1.00
15	40214010	LED TB SWITCH				1.00
16	SM4050855SP	SCREW				1.00
17	40086655	REVERSE_FEED_CONNECTION_LINK				1.00
18	40086699	REVERSE_FEED_LINK_PIN				1.00
19	SM8480652TP	SCREW				1.00
20	40086759	BACK_SOLENOID_PLUNGER_PIN				1.00

OPERATION PANEL COMPONENTS



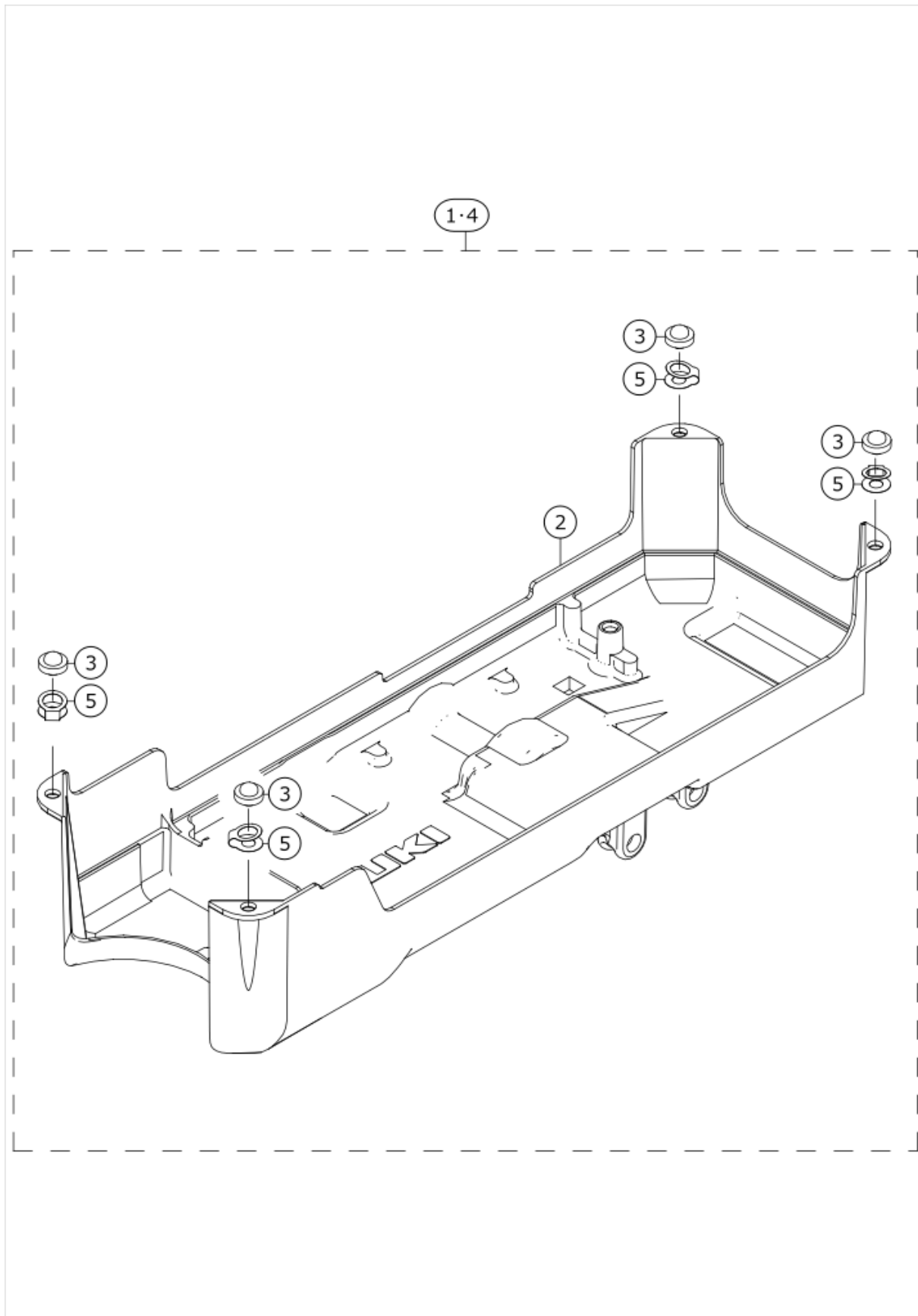
No.	品番	品名	備考	子部品	消耗品	個数
1	40211456	PANEL 8A ASSY	OTHER THAN DDL-8000A-BB			1.00
2	40214743	PANEL COVER 8A F ASSY		*		1.00
3	40172422	INDICATOR		*		1.00
4	40172423	USB_COVER		*		1.00
5	SV4030802SN	TAPPING SCREW WITH FLANGE M3X8		*		4.00
6	40173459	PANEL COVER R ASM		*		1.00
7	40172386	PANEL_COVER_R		*		1.00
8	40172420	FIX_PLATE		*		3.00
9	40174580	PNL_CABLE_CLAMP_PLATE		*		1.00
10	SV4030802SN	TAPPING SCREW WITH FLANGE M3X8		*		1.00
11	40214742	PNL 8A PCB ASSY		*		1.00
12	SM8050852TP	SCREW M5 L=8				3.00
13	40174408	PANEL_CSHION_RUBBER				2.00
14	40215704	MAIN-PNL CORD 8A ASSY				1.00
15	40224345	PANEL 8A CE ASSY	DDL-8000A-BB ONLY			1.00

PSC UNIT



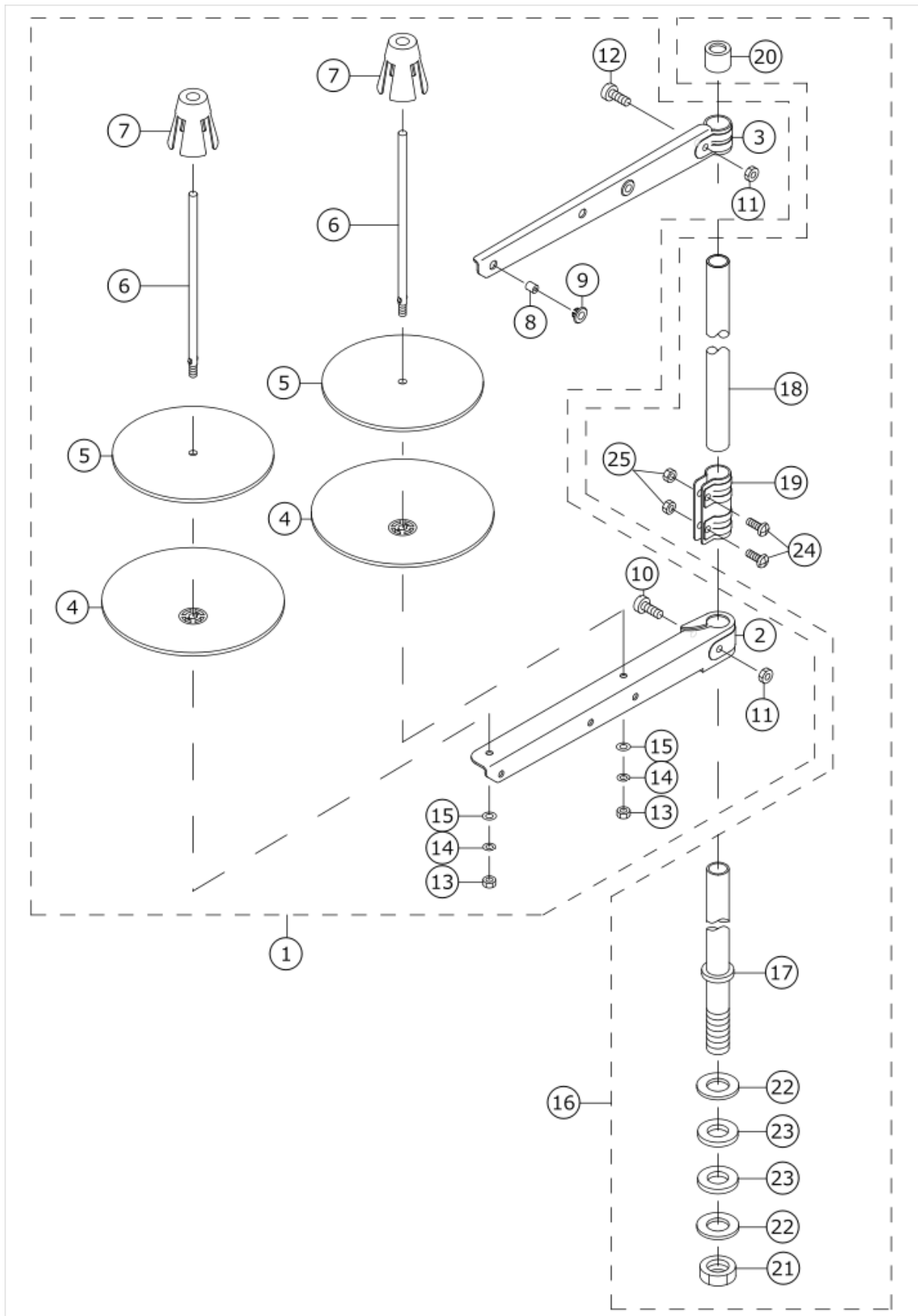
No.	品番	品名	備考	子部品	消耗品	個数
1	40211954	CONTROL BOX	OTHER THAN DDL-8000A-BB			1.00
2	40215706	PEDAL SENSOR BASE ASSY				1.00
3	40131478	CONNECTING_ROD_ASSY				1.00
4	40215705	ACCESSORIES PARTS ASSY	OTHER THAN DDL-8000A-BB			1.00
5	40212265	CONTROL_BOX_1P_220_240V_CE	DDL-8000A-BB ONLY			1.00
6	40221831	ACCESSORIES PARTS ASSY CE	DDL-8000A-BB ONLY			1.00

UNDER COVER COMPONENTS



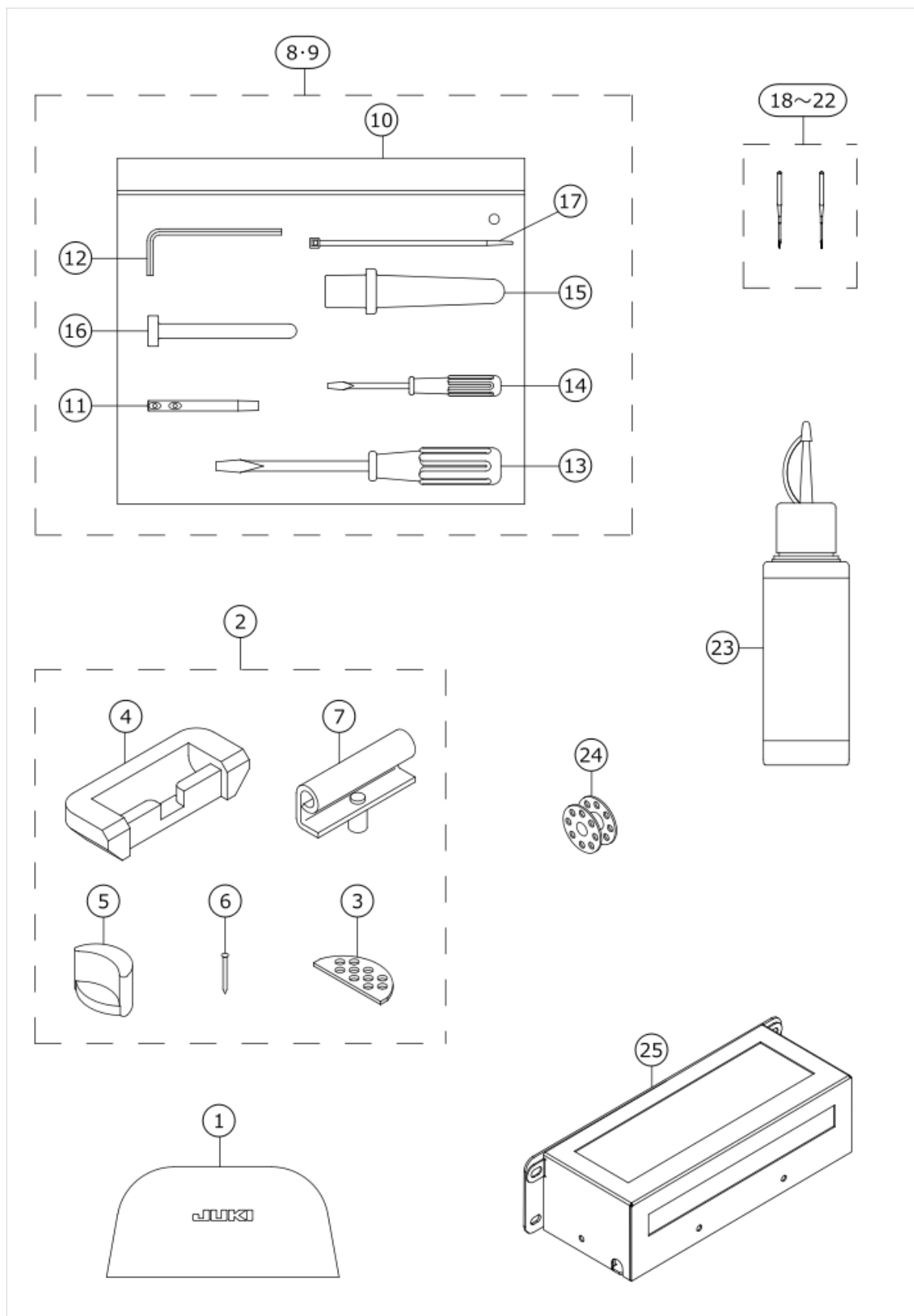
No.	品番	品名	備考	子部品	消耗品	個数
1	40062323	UNDER COVER B ASM.	OTHER THAN DDL-8000A-BB			1.00
2	23639008	UNDER COVER		*		1.00
3	B1116210D00	FRAME SUPPORT RUBBER		*		4.00
4	40223144	UNDER COVER C ASM.	DDL-8000A-BB ONLY			1.00
5	40218924	CE_BLOCK	DDL-8000A-BB ONLY	*		4.00

THREAD STAND COMPONENTS



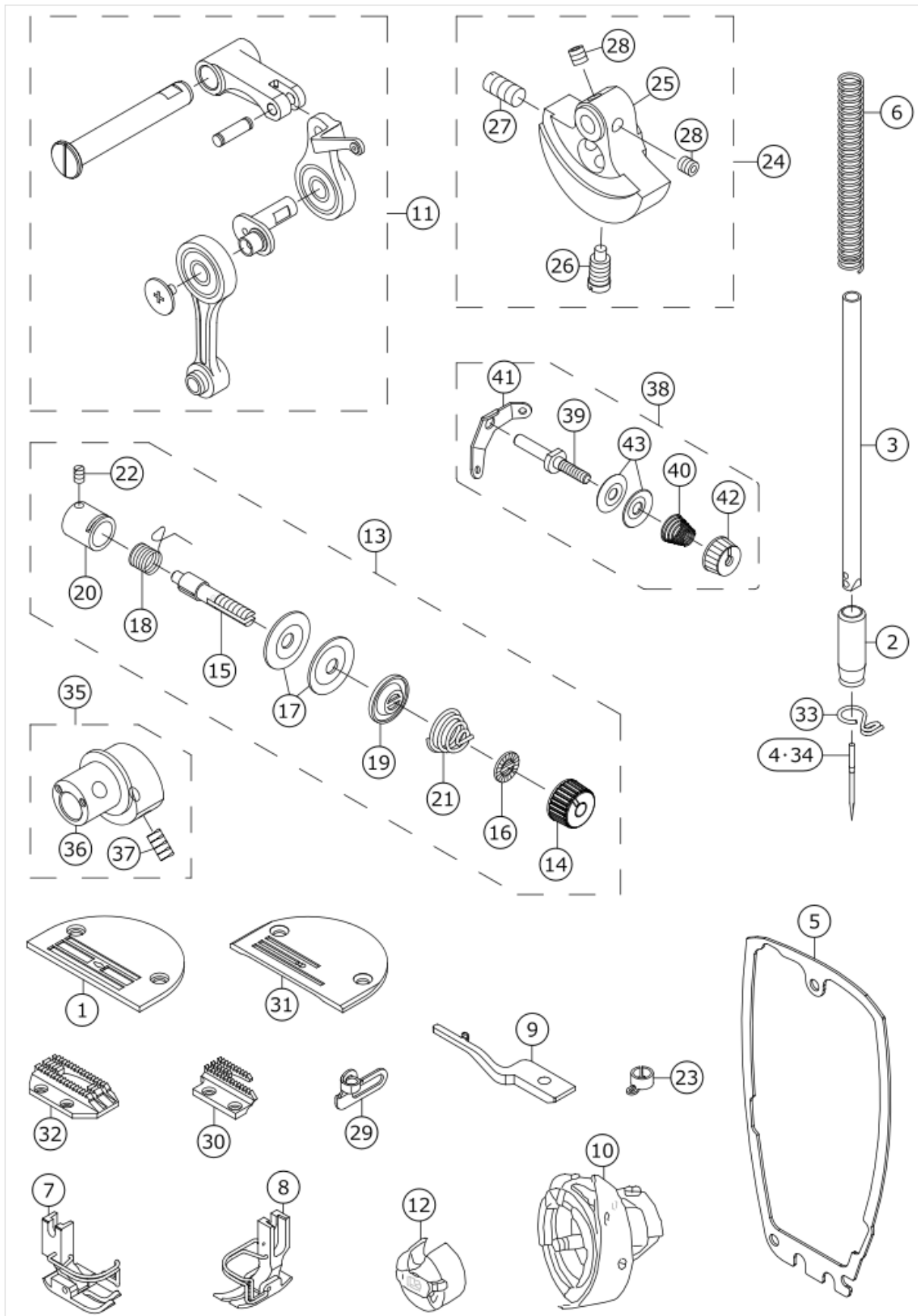
No.	品番	品名	備考	子部品	消耗品	個数
1	40108402	THRED_STAND_B				1.00
2	40085786	SPOOL REST ARM (LOWER)		*		1.00
3	40085787	SPOOL REST ARM (UPPER)		*		1.00
4	40085788	SPOOL REST		*		2.00
5	40085789	SPOOL REST CUSHION		*		2.00
6	40085790	SPOOL PIN		*		2.00
7	40085791	SPOOL RETAINER		*		2.00
8	40085794	THREAD GUIDE		*		2.00
9	40085795	THREAD GUIDE BUSHING		*		2.00
10	40096326	SPOOL REST ARM LOWER SCREW		*		1.00
11	NM6050001SE	NUT M5		*		2.00
12	40096327	SPOOL REST ARM UPPER SCREW		*		1.00
13	NM6050001SE	NUT M5		*		2.00
14	WS0510002KN	SPRING WASHER M5		*		2.00
15	WP0531001SC	WASHER M5		*		2.00
16	40108401	THREAD_STAND_A				1.00
17	40085784	SPOOL REST ROD LOWER		*		1.00
18	40085785	SPOOL REST ROD UPPER		*		1.00
19	40085792	SPOOL REST ROD JOINT		*		1.00
20	40085793	SPOOL REST ROD RUBBER CAP		*		1.00
21	40096325	SPOOL REST ROD NUT		*		1.00
22	WP1612616SE	WASHER 16X30X2.6		*		2.00
23	40085796	SPOOL REST ROD RUBBER CUSHION		*		2.00
24	SM4051405SE	SCREW M5 L=14		*		2.00
25	NM6050001SE	NUT M5		*		2.00

ACCESSORIE PART COMPONENTS



No.	品番	品名	備考	子部品	消耗品	個数
1	40135803	HEAD COVER				1.00
2	22958052	RUBBER HINGE ASM.				1.00
3	22926505	WASHER		*		2.00
4	22926000	RUBBER CUSHION		*		2.00
5	22958003	FRAME BUBBER CUSHION		*		2.00
6	22926208	NAIL		*		8.00
7	22926356	HINGE COMPL.		*		2.00
8	40212472	ACCESSORIE BAG ASM.	WITHOUT AK DEVICE			1.00
9	40037484	ACCESSORIE BAG ASM.	WITH AK DEVICE			1.00
10	22932800	ACCESSORIE BAG		*		1.00
11	22958300	NEEDLE THREAD GUIDE PIN		*		1.00
12	40055591	HEXAGONAL WRENCH KYE		*		1.00
13	22933105	SCREW DRIVER (MIDDLE)		*		1.00
14	22933204	SCREW DRIVER (SMALL)		*		1.00
15	22931604	FRAME SUPPORT BAR		*		1.00
16	23639701	KNEE LIFTER PRESSER ROD	WITH AK DEVICE			1.00
17	EA9500B0100	CABLE BAND	WITH AK DEVICE			1.00
18	MDB100B1102	NEEDLE DBX1#11-2	FOR AA			1.00
19	MDB100B2102	NEEDLE DBX1#21-2	FOR DDL-8000A-SSH-AA			1.00
20	MC200500752	134 #75-2	FOR BB			1.00
21	MC200501302	NEEDLE 134 #130-2	FOR DDL-8000A-SSH-BB			1.00
22	MDB100B1402	NEEDLE DBX1#14-2	FOR GG			1.00
23	40214221	NEW DEFRIX OIL 1 100CC COMP.				1.00
24	22932909	BOBBIN				1.00
25	40179371	REACTOR BOX ASSY 1P	FOR BB			1.00

EXCLUSIVE PARTS DDL-8000A-SSH



No.	品番	品名	備考	子部品	消耗品	個数
1	40089605	THROAT_PLATE_J	FOR AA/BB			1.00
2	40107708	NEEDLE_BAR_METAL_LOWER_H				1.00
3	40061767	NEEDLE BAR H				1.00
4	MDB100B2100	NEEDLE DBX1 #21	FOR AA/GG			1.00
5	40172373	FACE_COVER_PACKING				1.00
6	B1505552000A	PRESSER SPRING				1.00
7	D1524555EBL	PRESSER FOOT ASM.	FOR AA/BB			1.00
8	40064839	PRESSER FOOT ASM.	FOR GG			1.00
9	40089610	INNER_HOOK HOLDER_H				1.00
10	11092251	LUBRICATING BOBBIN ASM.				1.00
11	40191118	THREAD_TAKE_UP_COMP_H				1.00
12	40000264	BOBBIN CASE ASM.				1.00
13	22962054	THREAD TENSION ASM.				1.00
14	22921308	THREAD TENSION NUT		*		1.00
15	22921209	THREAD TENSION POST		*		1.00
16	22921407	ROTATION STOPPER		*		1.00
17	22921506	THREAD TENSION DISK		*		2.00
18	22921605	THREAD TAKE-UP SPRING		*		1.00
19	22921803	DISK STOPPER		*		1.00
20	22945307	THREAD TENSION POST BASE		*		1.00
21	22962005	THREAD TENSION SPRING		*		1.00
22	SS8090670SP	SCREW 9/64-40 L=5.5		*		1.00
23	40024124	NEEDLE BAR THREAD GUIDE				1.00
24	40191126	ASSY_COUNTER WEIGHT_H				1.00
25	40191127	COUNTER_WEIGHT_H		*		1.00
26	40004171	COUNTER_WEIGHT_SCREW		*		1.00
27	SM8081652TP	SCREW M8 L=16		*		1.00
28	SM80606A2TP	SCREW M6 L=6		*		2.00
29	40063697	ARM THREAD GUIDE A H				1.00
30	11062601	FEED DOG	FOR GG			1.00
31	11062007	THROAT PLATE A	FOR GG			1.00
32	11403003	FEED J	FOR AA/BB			1.00
33	40023223	NEEDLE BAR THREAD GUIDE				1.00
34	MC200501300	NEEDLE 134 NM130	FOR BB			1.00
35	23619059	VERTICAL FEED CAM H ASM.				1.00
36	23619000	VERTICAL FEED CAM H		*		1.00
37	SS8151150TP	SCREW 15/64-28 L=10.5		*		2.00
38	22963458	THREAD TENSION ASM.				1.00
39	22945414	THREAD TENSION POST		*		1.00
40	22963409	THREAD TENSION SPRING		*		1.00
41	22945604	THREAD TENSION GUIDE		*		1.00
42	22945703	THREAD TENSION NUT		*		1.00
43	22945802	THREAD TENSION DISK		*		2.00

HOW TO MAKE USE OF THIS PARTS LIST

1.Explanation of codes

- 1)"*"mark.....means this part is changed from the previous parts book.
As to the details of the change, refer to the "List for information of change".
- 2)"#01".....refer to "Note" explanation at bottom of page.

2.Codes on the "Qty" column

- Each numeral indicates the number of parts required.
- "0.1" and "2.5" indicate the length (in meters) of the respective parts.

3.Parentheses mean that the corresponding part is a subpart that constructs an assembly part.

4.Dotted lines on the Figures indicate assembly parts.

5.As to the parts with marks of "☆"(consumable parts) and "◎"(optional parts)on the respective parts, it is recommended to prepare spares.

Sign	Place of destination
GG	China
BB	Europe
EE	Japan
AA	excludes China,Europe and Japan

1 ."注記"欄の記号説明

- 1) "*"印.....前回のパーツブックに比較して今回変更された部品を意味します。
変更内容は、"変更情報リスト"を参照してください。
- 2) "#01".....ページ下の"注記"の説明を参照してください。

2.数量欄の数字は、個数を表し、0.1、2.5等の数値は、長さ（単位メートル）を表します。

3.数量欄の（ ）は、組部品を構成している子部品であることを意味します。

4.イラストページの-----枠は、組構成であることを意味します。

5.リストページの"☆"（消耗部品）、"◎"（オプション部品）の印がついた部品は、予備を準備しておくことをお奨めします。

記号	仕向地
GG	中国
BB	ヨーロッパ
EE	日本
AA	中国、ヨーロッパ、日本を除く