



JK-6318

User Guide

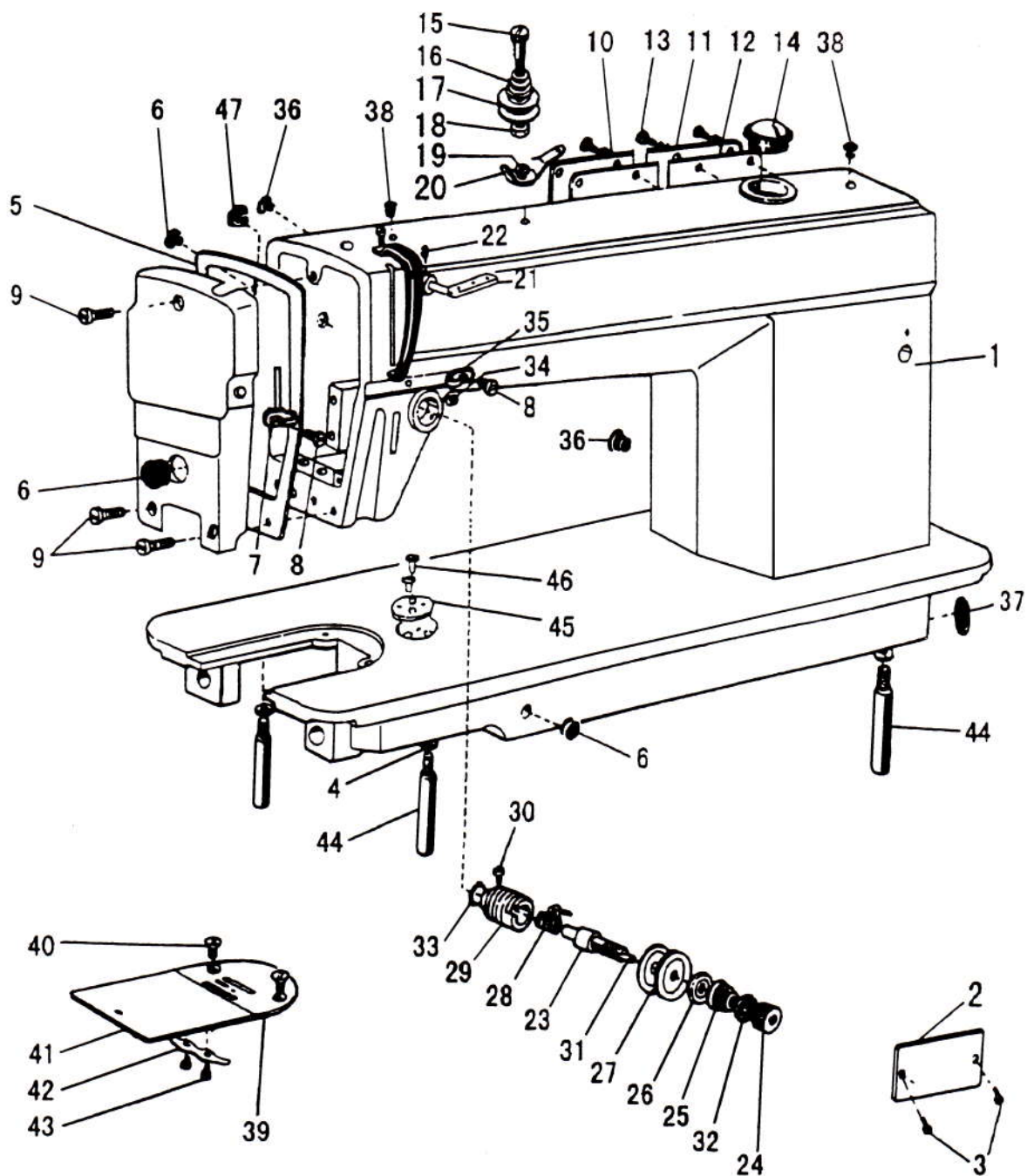
**INSTRUCTION BOOK
PARTS CATALOGUE**



JACK SEWING MACHINE

| [HTTP://WWW.CHINAJACK.COM](http://www.chinajack.com) |

A.ARM BED AND ITS ACCESSORIES



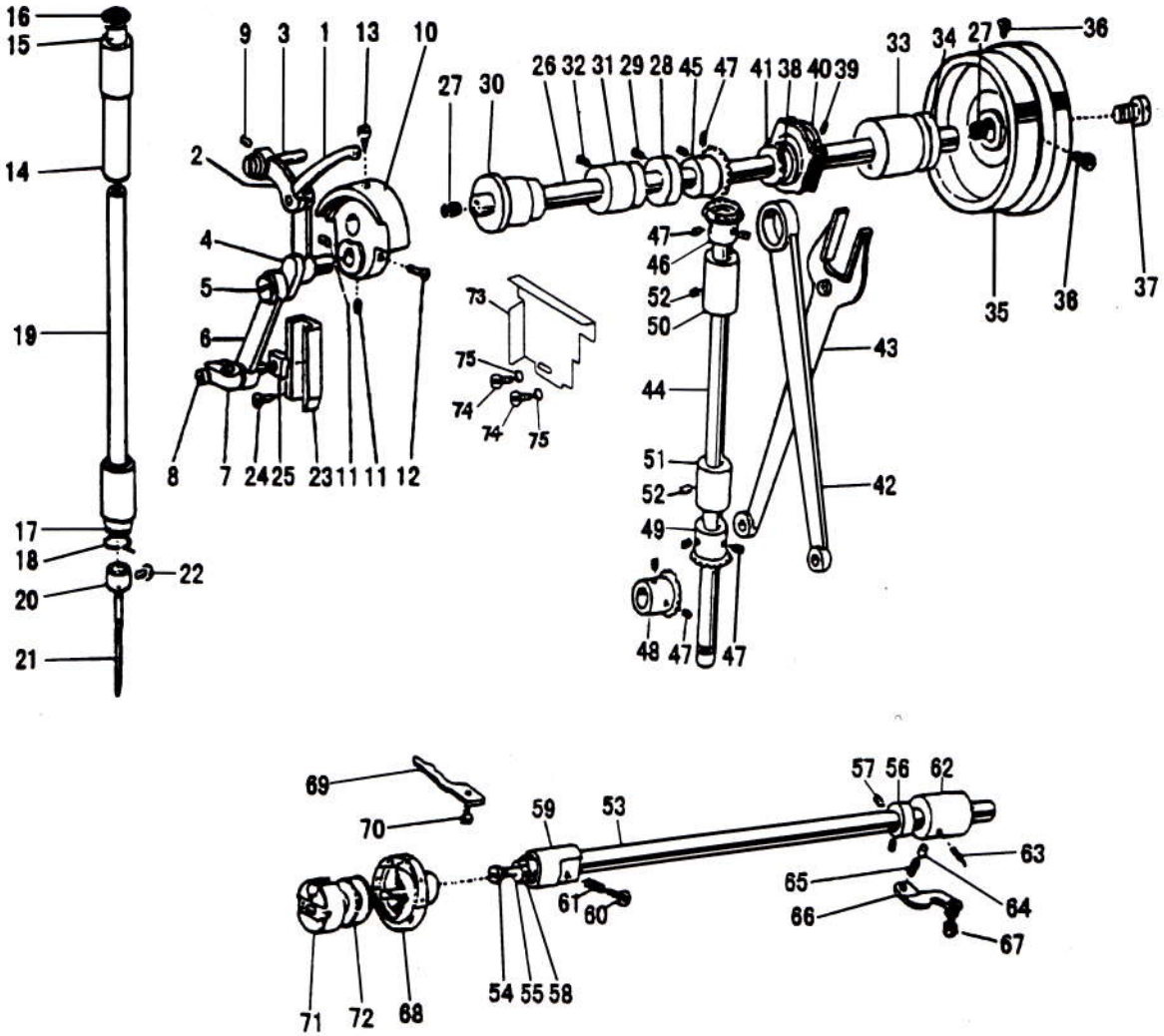
A. ARM BED AND ITS ACCESSORIES

Fig. No.	Description	1	2	3	4	Remarks
A-01	Arm	1	1	1	1	
A-02	Trade mark plate	1	1	1	1	
A-03	rivet	4	4	4	4	GB/T827 ϕ 2.5×5
A-04	Spring washer	2	2	2	2	GB/T93 6
A-05	Face plate	1	1	1	1	
A-06	Rubber plug (ϕ 11.8)	1	1	1	1	
A-07	Thread guide on face plate	1	1	1	1	
A-08	Thread guide screw	1	1	1	1	SM9/64(40)×6
A-09	Face plate screw	3	3	3	3	SM11/64(40)×20
A-10	Arm sidecover(left)	1	1	1	1	
A-11	Arm sidecover(right)	1	1	1	1	
A-12	Gasket for arm side cover	1	1	1	1	
A-13	Screw group	8	8	8	8	SM11/64(40)×9
A-14	Check window	1	1	1	1	
A-15	Screw type tension stud	1	1	1	1	SM11/64(40)×16
A-16	Spring for pre-tension	1	1	1	1	
A-17	Disc for pre-tension	2	2	2	2	
A-18	Spacer for pre-tension	1	1	1	1	
A-19	Pre-tension thread guide	1	1	1	1	
A-20	Stop ring	1	1	1	1	GB/T896 3
A-21	Three-hple thread guide	1	1	1	1	
A-22	Set screw	1	1	1	1	SM11/64(40)×5.5
A-23	Thread tension stud	1	1	1	1	SM1/4(40)×17
A-24	Oil thumb nut	1	1	1	1	
A-25	Thread tension spring	1	1	1	1	
A-26	Thread tension releasing disc	1	1	1	1	
A-27	Thread tension disc	2	2	2	2	
A-28	Thread take-up spring	1	1	1	1	
A-29	Thread tension regulating bushing	1	1	1	1	
A-30	Set screw	1	1	1	1	SM9/64(40)×4
A-31	Thread tension releasing pin	1	1	1	1	
A-32	Stop disc	1	1	1	1	
A-33	Rubber ring	1	1	1	1	
A-34	Set screw	1	1	1	1	SM15/64(28)×6.8
A-35	Thread guide at arm center	1	1	1	1	
A-36	Rubber plug (ϕ 8.8)	2	2	2	2	
A-37	Rubber plug (ϕ 27)	1	1	1	1	

A. ARM BED AND ITS ACCESSORIES

Fig. No.	Description	1	2	3	4	Remarks
A-38	Red rubber plug (ϕ 5.7)	2	2	2	2	
A-39	Needle plate	1	1	1	1	
A-40	Needle plate screw	2	2	2	2	SM11/64(40) \times 4.5
A-41	Slide plate	1	1	1	1	
A-42	Slide plate spring	1	1	1	1	
A-43	Screw	2	2	2	2	SM3/32(56) \times 2.2
A-44	Leg	3	3	3	3	
A-45	Plate for guide	1	1	1	1	
A-46	Screw	2	2	2	2	SM11/64(40) \times 5
A-47	Rubber plug	1	1	1	1	

B.NEEDLE BAR AND TAKE-UP, ARM SHAFT AND VERTICAL SHAFT MECHANISM



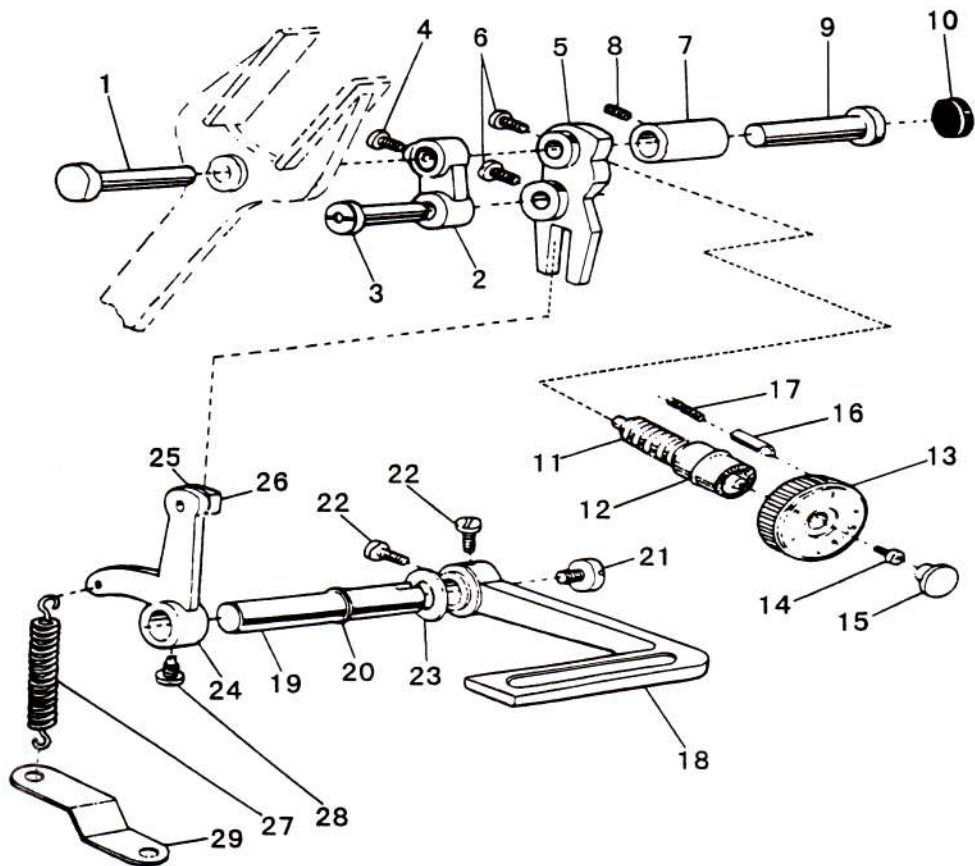
B. NEEDLE BAR AND TAKE-UP, ARM SHAFT AND VERTICAL SHAFT MECHANISM

Fig. No.	Description	1	2	3	4	Remarks
B-01	Therad take-up lever	1	1	1	1	
B-02	Thread take-up lever link	1	1	1	1	
B-03	Hinge pin	1	1	1	1	
B-04	Thread take-up crank	1	1	1	1	
B-05	Set screw (left-handed)	1	1	1	1	SM9/64(40)×7
B-06	Needle bar link	1	1	1	1	
B-07	Needle bar adaptor	1	1	1	1	
B-08	Screw	1	1	1	1	SM9/64(40)×6
B-09	Set screw	1	1	1	1	SM15/64(28)×10
B-10	Needle bar crank	1	1	1	1	
B-11	Set screw	2	2	2	2	SM1/4(40)×6
B-12	Set screw	1	1	1	1	SM9/32(28)×13
B-13	Set screw	1	1	1	1	SM9/32(28)×14
B-14	Needle bar bushing (upper)	1	1	1	1	
B-15	Felt plug	1	1	1	1	
B-16	Red rubber plug (ϕ 8.8)	1	1	1	1	
B-17	Needle bar bushing (lower)	1	1	1	1	
B-18	Thread guide for needle bar busing	1	1	1	1	
B-19	Needle bar	1	1	1	1	
B-20	Thread guide for needle bar	1	1	1	1	
B-21	Needle	1			1	DP×17 #22
B-21	Needle		1			DP×17 #24
B-21	Needle			1		DP×17 #18
B-22	Needle clamp screw	1	1	1	1	SM1/8(44)×4.5
B-23	Guide for slide block	1	1	1	1	
B-24	Set screw	2	2	2	2	SM11/64(40)×8
B-25	Slide block	1	1	1	1	
B-26	Arm shaft	1	1	1	1	
B-27	Rubber plug (ϕ 7.4×10)	2	2	2	2	
B-28	Collar for	1	1	1	1	
B-29	Set screw	2	2	2	2	SM1/4(40)×4
B-30	Arm shaft bushing(left)	1	1	1	1	
B-31	Arln shaft bushing(middle)	1	1	1	1	
B-32	Set screw	1	1	1	1	SM15/64(28)×10
B-33	Arvn shaft bushing(right)	1	1	1	1	
B-34	Oil seal	1	1	1	1	
B-35	Balance wheel	1	1	1	1	
B-36	Set screw	2	2	2	2	SM15/64(28)×12
B-37	Screw	1	1	1	1	SM11/32(28)×10
B-38	Feed and feed lifting eccentric	1	1	1	1	

B. NEEDLE BAR AND TAKE-UP, ARM SHAFT AND VERTICAL SHAFT MECHANISM

Fig. No.	Description	1	2	3	4	Remarks	
B-39	Set screw	2	2	2	2	SM15/54(28)×7	
B-40	Eccentric sleeve	1	1	1	1		
B-41	Retaining ring	1	1	1	1		
B-42	Crank rod for feed lifting rock shaft	1	1	1	1		
B-43	Feed forked connection	1	1	1	1		
B-44	Vertical shaft	1	1	1	1		
B-45	Bevel gear for arm shaft	1	1	1	1		
B-46	Bevel gear for vertical shaft(upper)	1	1	1	1		
B-47	Set screw	8	8	8	8		SM1/4(40)×7
B-48	Bevel gear for hook shaft	1	1	1	1		
B-49	Bevel gear for vertical shaft(lower)	1	1	1	1		
B-50	Vertical shaft bushing(upper)	1	1	1	1	SM15/64(28)×10	
B-51	Vertical shaft bushing(lower)	1	1	1	1		
B-52	Set screw	2	2	2	2		
B-53	Rotating hook shaft	1	1	1	1		
B-54	Filter screw	1	1	1	1		SM3/16(32)×9
B-55	Filter	1	1	1	1		
B-56	Collar for hook shaft	1	1	1	1		SM15/64(28)×4.5
B-57	Set screw	2	2	2	2		
B-58	Oil seal for rotating hook shaft	1	1	1	1		
B-59	Hook shaft bushing (left)	1	1	1	1		
B-60	Oil adjusting screw	1				SM15/64(28)×25.5	
B-60	Oil adjusting screw		1	1	1		
B-61	Spring for oil adjuster	1	1	1	1		
B-62	Hook shaft bushing (right)	1	1	1	1		
B-63	Oil pipe for hook shaft bushing	1	1	1	1		
B-64	Plunger	1	1	1	1		
B-65	Plunger spring	1	1	1	1		
B-66	Guide plate	1	1	1	1	SM15/64(28)×10	
B-67	Screw	1	1	1	1		
B-68	Rotating hook complete	1	1	1	1		
B-69	Rotating hook positioner	1	1	1	1		
B-70	Screw	1	1	1	1		SM11/64(40)×13
B-71	Bobbin case	1	1	1	1		
B-72	Bobbin	1	1	1	1		
B-73	Arm sidecover baffle	1	1	1	1		
B-74	Screw	2	2	2	2		
B-75	Washer	2	2	2	2		GB/T97.1 4

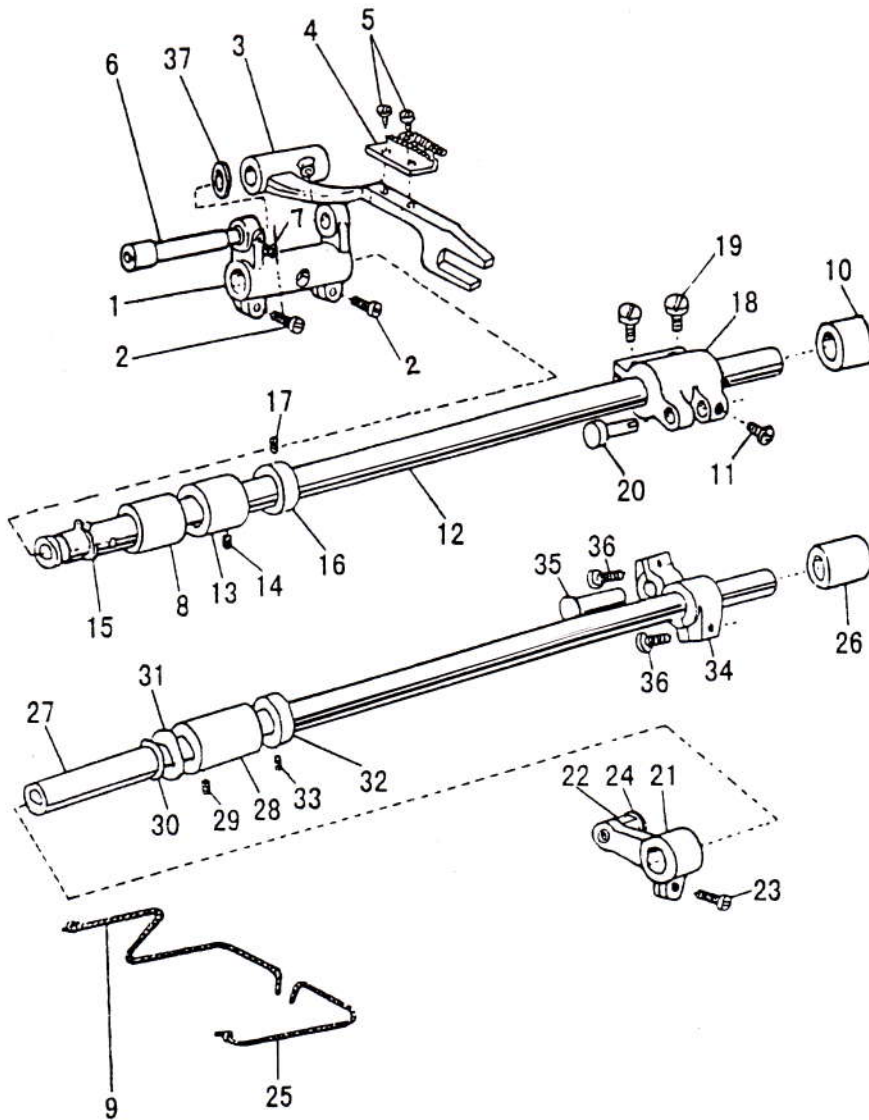
C. STITCH REGULATOR MECHANISM



C. STITCH REGULATOR MECHANISM

Fig. No.	Description	1	2	3	4	Remarks
C-01	Hinge pin	1	1	1	1	
C-02	Feed connecting link	1	1	1	1	
C-03	Hinge pin for feed connecting link	1	1	1	1	
C-04	Screw	1	1	1	1	
C-05	Feed regulator	1	1	1	1	SM15/64(28)×10
C-06	Screw	2	2	2	2	SM15/64(28)×10
C-07	Feed regulator bushing	1	1	1	1	
C-08	Set screw	1	1	1	1	SM15/64(28)×10
C-09	Hinge pin for feed regulator	1	1	1	1	
C-10	Rubber plug (Φ20×6)	1	1	1	1	
C-11	Feed regulator screw bar	1	1	1	1	
C-12	O-ring	2	2	2	2	Φ 14×2.4
C-13	Dial	1	1	1	1	
C-14	Screw	1	1	1	1	SM3/16(28)×8
C-15	Rubber plug	1	1	1	1	
C-16	Stopper pin	1	1	1	1	
C-17	Spring for stopper pin	1	1	1	1	
C-18	Reverse feed lever	1	1	1	1	
C-19	Reverse feed lever shaft	1	1	1	1	
C-20	O-ring	1	1	1	1	Φ 9×1.9
C-21	Screw	1	1	1	1	SM3/16(28)×6.5
C-22	Screw	2	2	2	2	
C-23	Washer	1	1	1	1	
C-24	Reverse feed crank	1	1	1	1	
C-25	Slide block pin	1	1	1	1	
C-26	slide block	1	1	1	1	
C-27	Spring for feed crank	1	1	1	1	
C-28	Screw	1	1	1	1	SM15/64(28)×10
C-29	Bracket spring	1	1	1	1	

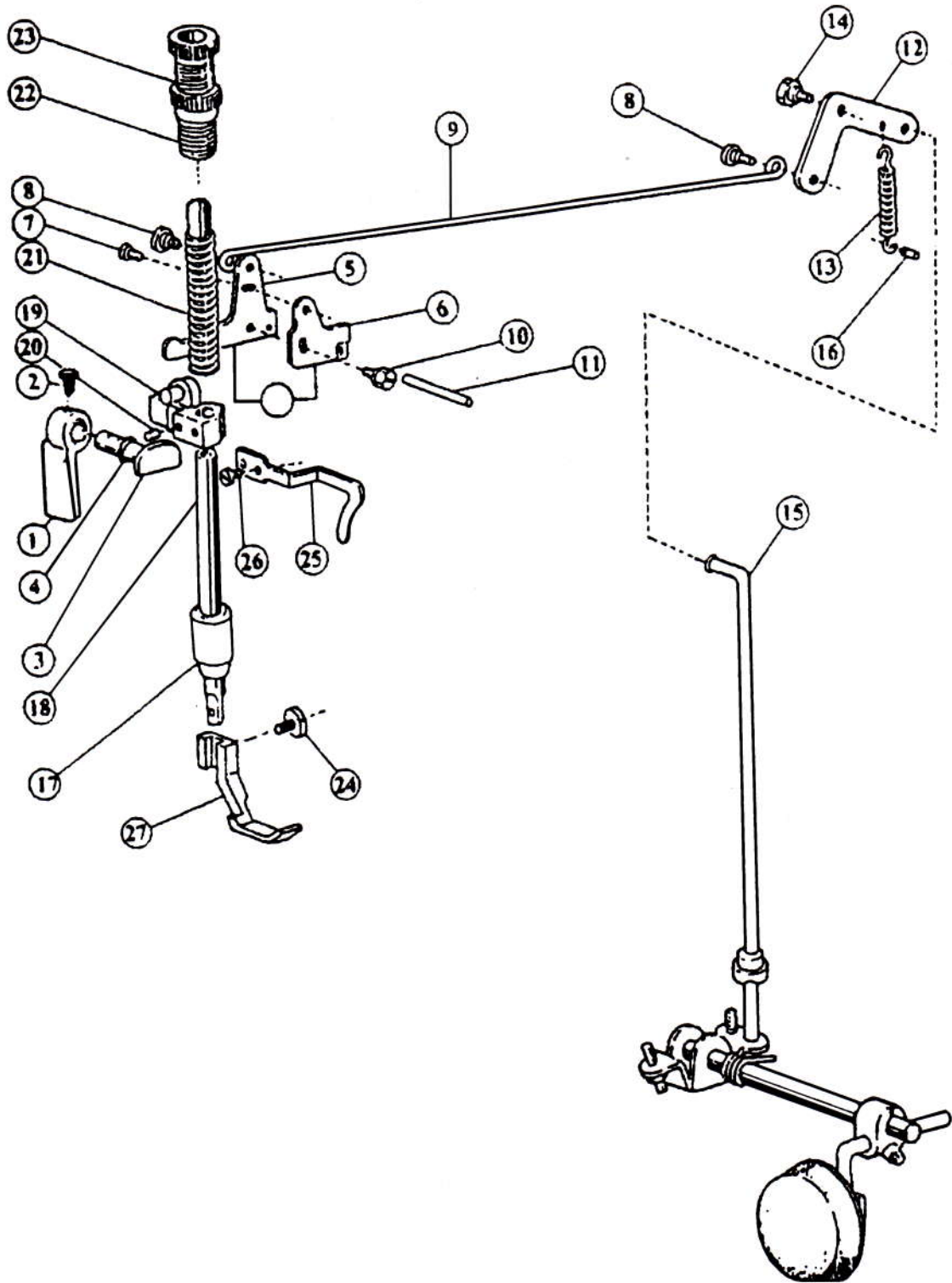
D. FEEDING AND FEED LIFTING MECHANISM



D. FEEDING AND FEED LIFTING MECHANISM

Fig. No.	Description	1	2	3	4	Remarks
D-01	Feed rock shaft crank (left)	1	1	1	1	
D-02	Screw	2	2	2	2	SM3/16(28)×15
D-03	Feed bar	1	1	1	1	
D-04	Feed dog	1	1	1	1	
D-05	Screw	2	2	2	2	SM1/8(44)×6
D-06	Hinge pin for feed regulator	1	1	1	1	
D-07	Screw	1	1	1	1	SM11/64(40)×8
D-08	Bushing for feed rock shaft(left)	1	1	1	1	
D-09	Oil braid	1	1	1	1	
D-10	Bushing for feed rock shaft(right)	1	1	1	1	
D-11	Screw	1	1	1	1	SM15/64(28)×10
D-12	Feed rock shaft	1	1	1	1	
D-13	Bushing for feed rock shaft	1	1	1	1	
D-14	Set screw	1	1	1	1	SM15/64(28)×4
D-15	C-type stop ring	1	1	1	1	
D-16	Collar	1	1	1	1	
D-17	Set screw	2	2	2	2	SM1/4(40)×4
D-18	Feed rock shaft crank (right)	1	1	1	1	
D-19	Screw	2	2	2	2	SM3/16(28)×12
D-20	Hinge pin	1	1	1	1	
D-21	Feed lifting rock shaft crank (left)	1	1	1	1	
D-22	Shaft	1	1	1	1	
D-23	Screw	1	1	1	1	SM11/64(40)×12
D-24		1	1	1	1	
D-25	Oil braid	1	1	1	1	
D-26	Bushing for feed lifting rock shaft(right)	1	1	1	1	
D-27	Feed lifting rock shaft	1	1	1	1	
D-28	Bushing for feed lifting rock shaft	1	1	1	1	
D-29	Set screw	1	1	1	1	SM15/64(28)×10
D-30	C-type stop ring	1	1	1	1	
D-31	Washer	1	1	1	1	
D-32	Collar for feed lifting rock shaft	1	1	1	1	
D-33	Screw	2	2	2	2	SM1/4(40)×4
D-34	Feed lifting rock shaft crank (right)	1	1	1	1	
D-35	Hinge pin	1	1	1	1	
D-36	Screw	1	1	1	1	SM11/64(40)×12
D-36	Screw	2	2	2	2	SM3/16(28)×12
D-37	Washer	1	1	1	1	

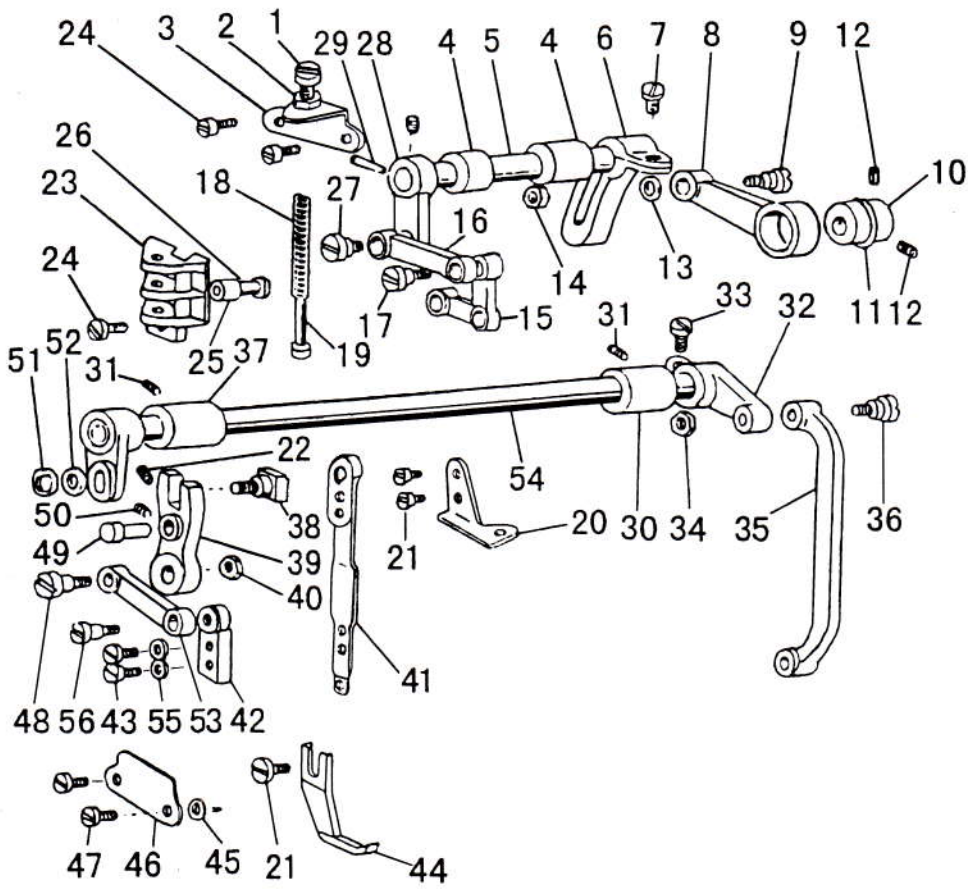
E.PRESSER FOOT MECHANISM



E. PRESSER FOOT MECHANISM

Fig. No.	Description	1	2	3	4	Remarks
E-01	Presser bar lifter	1	1	1	1	
E-02	Set screw	1	1	1	1	SM11/64(40)×5
E-03	Presser bar lifting cam	1	1	1	1	
E-04	Oil seal fot presser bar litting cam	1	1	1	1	8×1.9
E-05	Knee lifter lever (left)	1	1	1	1	
E-06	Tension releasing cam	1	1	1	1	
E-07	Screw	1	1	1	1	SM11/64(40)×6
E-08	Hinged screw	2	2	2	2	SM3/16(28)×3.5
E-09	Knee lifter rod	1	1	1	1	
E-10	Bolt	1	1	1	1	SM15/64(28)×13
E-11	Tension releasing pin	1	1	1	1	
E-12	Knee lifter lever (right)	1	1	1	1	
E-13	Spring	1	1	1	1	
E-14	Bolt for knee lifter lever	1	1	1	1	SM15/64(28)×10
E-15	Knee lifter connecting rod	1	1	1	1	
E-16	Pin for spring	1	1	1	1	
E-17	Presser bar bushing	1	1	1	1	
E-18	Presser bar	1	1	1	1	
E-19	Presser bar lifting bracket	1	1	1	1	
E-20	Set screw	1	1	1	1	SM15/64(28)×7
E-21	Presser spring	1	1	1	1	
E-22	Pressure regulating thumb screw	1	1	1	1	SM1/2(28)×43
E-23	Lock nut	1	1	1	1	
E-24	Set screw	1	1	1	1	SM9/64(40)×11
E-25	Upper thread guide	1	1	1	1	
E-26	Screw	1	1	1	1	SM11/64(40)×5
E-27	Presser loot complete	1	1	1	1	

F. PRESSER LIFTING, FEEDING MECHANISM



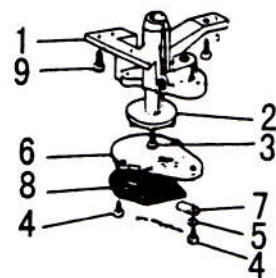
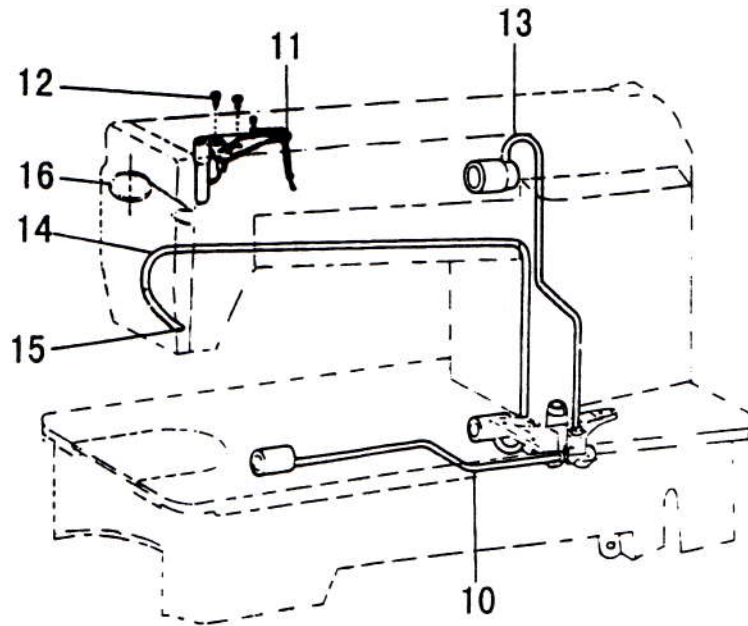
F. PRESSER LIFTING、FEEDING MECHANISM

Fig. No.	Description	1	2	3	4	Remarks
F-01	Lifting presser adjusting screw	1	1	1	1	SM9/32(28)×35
F-02	Lifting presser adjusting nut	1	1	1	1	SM9/32(28)
F-03	Lifting presser bracket for spring	1	1	1	1	
F-04	Presser lifting shaft bushing	2	2	2	2	
F-05	Shaft	2	2	2	2	
F-06	Presser lifting shaft	1	1	1	1	
F-07	Set screw	1	1	1	1	
F-08	Eccentric wheel rod	1	1	1	1	
F-09	Set screw	1	1	1	1	M6(0.75)×29
F-10	Eccentric wheel	1	1	1	1	
F-11	C-type stop ring	1	1	1	1	GB/T894.1 25
F-12	Screw	2	2	2	2	SM1/4(40)×6
F-13	Washer	1	1	1	1	
F-14	Nut	1	1	1	1	GB/T6170 M6×0.75
F-15	Presser feed crank	1	1	1	1	
F-16	Presser feed crank link	1	1	1	1	
F-17	Screw	1	1	1	1	SM3/16(28)×12.6
F-18	Lifting presser spring	1	1	1	1	
F-19	Presser spring guide	1	1	1	1	
F-20	Lifting presser guide plate	1	1	1	1	
F-21	Screw	1	1	1	1	SM9/64(40)×13
F-22	Pin	1	1	1	1	GB T879.1 2.5×18
F-23	Lifting presser plate	2	2	2	2	
F-24	Screw	1	1	1	1	SM9/64(40)×10
F-25	Lifting presser spring guide pin	1	1	1	1	
F-26	Feed crank guide shaft	1	1	1	1	
F-27	Screw	1	1	1	1	SM1/4(40)×15
F-28	Presser lifting crank	1	1	1	1	
F-29	Pin	1	1	1	1	GB/T117 4×20
F-30	Presser swing shaft bushing (right)	1	1	1	1	
F-31	Screw	2	2	2	2	SM11/64(40)×5.5
F-32	Presser swing crank(right)	1	1	1	1	
F-33	Screw	1	1	1	1	SM1/4(24×19.7)
F-34	Lifting presser adjusting nut	1	1	1	1	SM9/32(28)
F-35	Presser swing crank (right) rod	1	1	1	1	
F-36	Screw	1	1	1	1	SM9/32(28)×28
F-37	Presser swing shaft bushing (left)	1	1	1	1	
F-38	Lifting presser sway crank shaft compl	1	1	1	1	
F-39	Lifting presser sway crank	1	1	1	1	
F-40	Lock nut	1	1	1	1	SM1/4(40)
F-41	Presser rod	1	1	1	1	
F-42	Presser rod guide	1	1	1	1	

F. PRESSER LIFTING、 FEEDING MECHANISM

Fig. No.	Description	1	2	3	4	Remarks
F-43	Screw	2	2	2	2	SM9/64(40)×9
F-44	Out presser	1	1	1	1	
F-45	Space for presser rod plate	2	2	2	2	
F-46	Lifting presser rod plate	1	1	1	1	
F-47	Screw	2	2	2	2	SM11/64(40)×14.5
F-48	Screw	1	1	1	1	SM1/4(40)×26
F-49	Lifting presser sway crank guide pin	1	1	1	1	SM1/4(40)
F-50	Screw	1	1	1	1	SM3/16(32)×7
F-51	Presser crank connecting nut	1	1	1	1	SM1/4(24)
F-52	Washer	1	1	1	1	
F-53	Presser swing crank(left)	1	1	1	1	
F-54	Presser swing shaft	1	1	1	1	
F-55	Washer	1	1	1	1	
F-56	Screw	1	1	1	1	SM1/4(40)×15

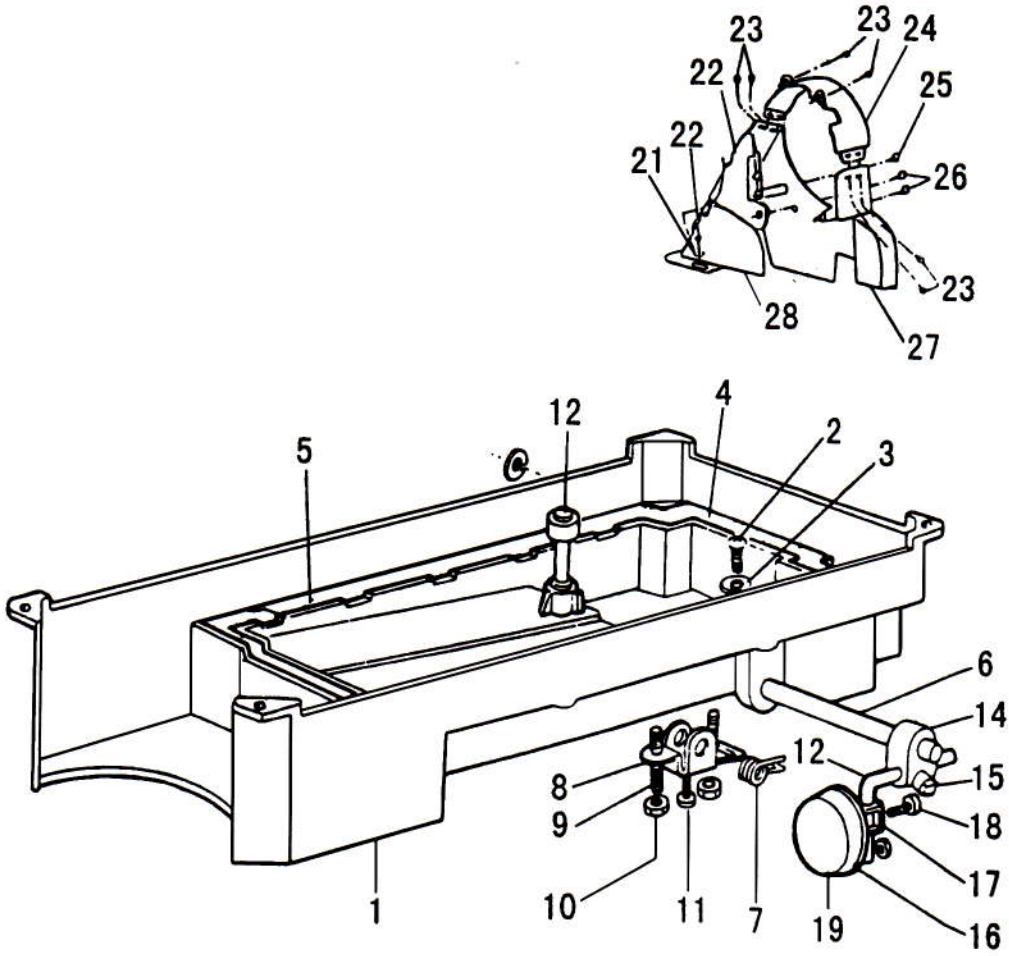
G. LUBRICATION MECHANISM



G. LUBRICATION MECHANISM

Fig. No.	Description	1	2	3	4	Remarks
G-01	Oil pump body	1	1	1	1	
G-02	Oil pump impeller	1	1	1	1	
G-03	Screw	1	1	1	1	SM11/64(40)×13
G-04	Screw	3	3	3	3	
G-05	Spring washer	1	1	1	1	
G-06	Oil pump fitting plate	1	1	1	1	
G-07	Oil adjusting plate	1	1	1	1	
G-08	Oil pump screen complete	1	1	1	1	
G-09	Screw	3	3	3	3	SM11/64(40)×13
G-10	Oil pipe for hook shaft	1	1	1	1	
G-11	Oil braid fitting plate	1	1	1	1	
G-12	Screw	2	2	2	2	SM9/64(40)×11
G-13	Oil pipe for arm shaft	1	1	1	1	
G-14	Oil return pipe	1	1	1	1	
G-15	Felt pouch	1	1	1	1	
G-16	pipe holder	1	1	1	1	

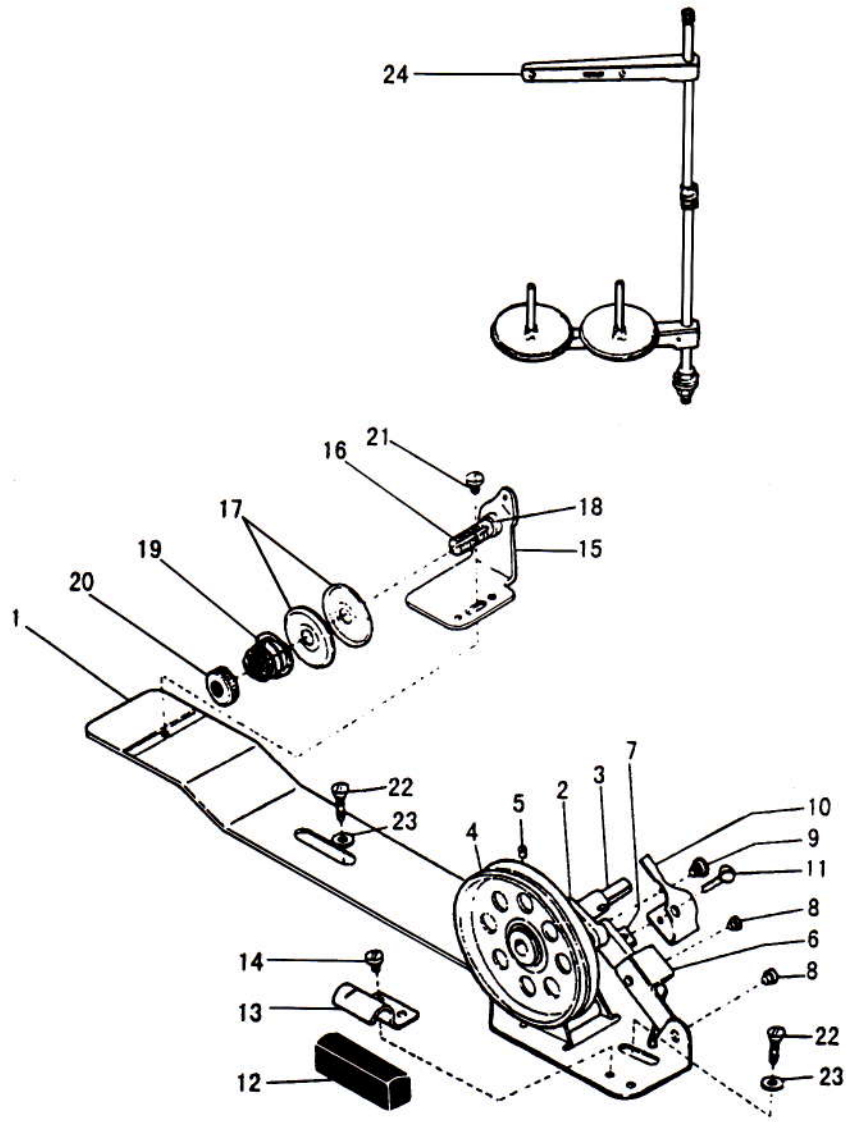
H. OIL RESERVOIR AND OTHER ACCESSORIES



H. OIL RESERVOIR AND OTHER ACCESSORIES

Fig. No.	Description	1	2	3	4	Remarks
H-01	Oil seservoir	1	1	1	1	
H-02	Oil drain screw	1	1	1	1	SM5/16(28)×10
H-03	Washer	1	1	1	1	
H-04	Gasket for oil reservoir (small)	1	1	1	1	
H-05	Gasket for oil reservoir (big)	1	1	1	1	
H-06	Hinge pin for knee lifter	1	1	1	1	
H-07	Backspring for knee lifter	1	1	1	1	
H-08	Knee lifter stop bracket	1	1	1	1	
H-09	Adjusting screw	2	2	2	2	SM15/64(28)×28
H-10	Lock nut	2	2	2	2	
H-11	Screw	1	1	1	1	SM15/64(28)×14.8
H-12	Knee lifter lifting rod	1	1	1	1	
H-13	Knee lifter bell crank	1	1	1	1	
H-14	Joint for knee lifter bell crank	2	2	2	2	
H-15	Set screw	1	1	1	1	SM5 16(28)×16
H-16	Knee lifter plate	1	1	1	1	
H-17	Bracket for knee lifter plate	1	1	1	1	
H-18	Set screw	1	1	1	1	SM15/64(28)×8
H-19	Pad for knee lifter plate	4	4	4	4	
H-20	Screw	4	4	4	4	GB/T99 4.5×20
H-21	Washer	1	1	1	1	
H-22	Belt(upper)	6	6	6	6	
H-23	Screw	1	1	1	1	SM11/64(40)×8
H-24	Belt mark complrte	1	1	1	1	
H-25	Screw	2	2	2	2	M4×12.5
H-26	Screw	1	1	1	1	SM15/64(28)×8
H-27	Belt (lower)	1	1	1	1	
H-28	Belt complete	1	1	1	1	

I. BONNIN WINDER MECHANISM



I. BONNIN WINDER MECHANISM

Fig. No.	Description	1	2	3	4	Remarks
I-01	Bobbin winder base	1	1	1	1	
I-02	Shaft for bobbin winder arm	1	1	1	1	
I-03	Bobbin winder spindle	1	1	1	1	
I-04	Bobbin winder pulley	1	1	1	1	
I-05	Screw	1	1	1	1	
I-06	Bobbin winder stop latch lever	1	1	1	1	
I-07	Bobbin winder connecting bar	1	1	1	1	
I-08	Rivet	2	2	2	2	
I-09	Screw	1	1	1	1	
I-10	Bobbin winder stop latch	1	1	1	1	
I-11	Adjusting screw	1	1	1	1	
I-12	Stopper block	1	1	1	1	
I-13	Fixture for stopper block	1	1	1	1	
I-14	Set screw	1	1	1	1	
I-15	Bobbin winder tension bracket	1	1	1	1	
I-16	Bobbin winder tension stud	1	1	1	1	
I-17	Bobbin winder tension disc	1	1	1	1	
I-18	Tension stud bushing	2	2	2	2	
I-19	Bobbin winder tension spring	2	2	2	2	
I-20	Tension stud nut	1	1	1	1	
I-21	Tension bracket screw	1	1	1	1	
I-22	Wood screw	2	2	2	2	
I-23	Washer	1	1	1	1	
I-24	Thread stand assay	1	1	1	1	