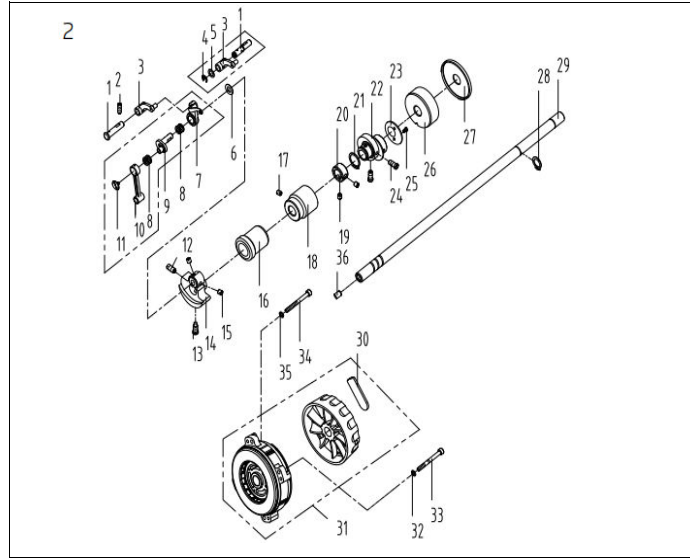


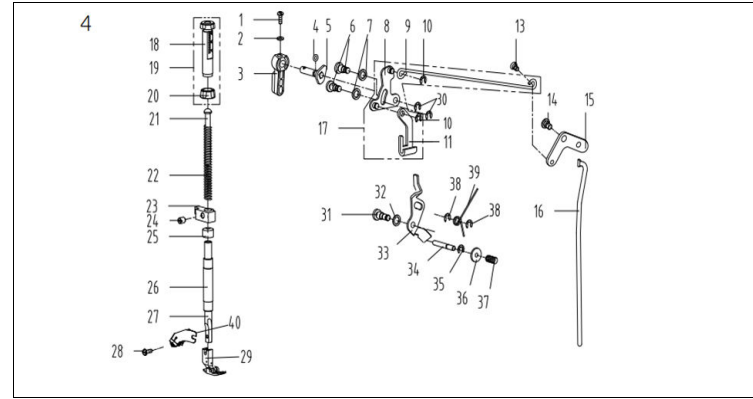
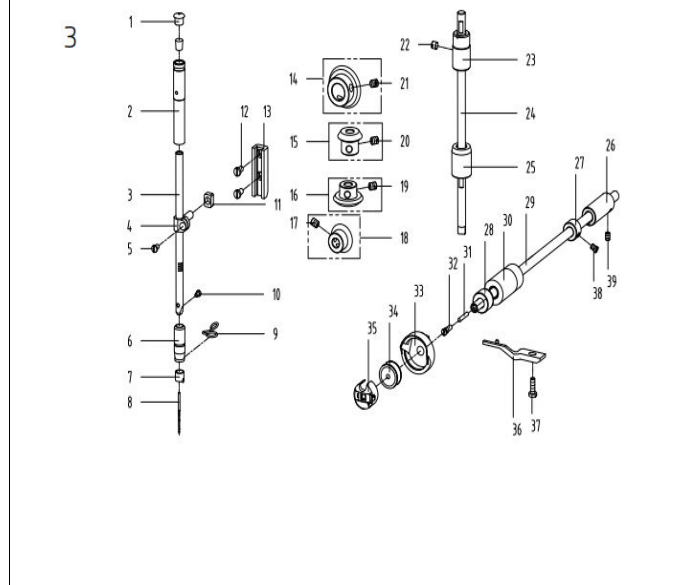
1. 机壳、外装分组件/Machine Frame & Miscellaneous Cover Components

序号NO.	公司件号	Part NO.	名称	零件描述	Description	数量	Number
1	10151001		后盖板螺钉SM3/16*28 L=9	Screw SM3/16*28 L=9		3	
2	10122003		后盖板孔塞	Rubber plug		2	
3	13837002		后盖板	Head card		1	
4	302893		后盖板(喷漆)	Face plate asm		1	
5	13813005		左线轴	Thread guide left		1	
6	10151007		右线轴螺钉SM11/64*40 L=6	Screw SM11/64*40 L=6		1	
7	10122104		后盖板垫	Face plate gasket		1	
8	10151027		后盖板螺钉SM18/44 L=3.4	Screw SM18/44 L=3.4		1	
9	10412007		后盖板防油板	Face oil shield asm.		1	
10	11412082		后盖板防油板(厚料)	Face oil shield asm. (H)		1	
11	10123002		针杆上轴套	Rubber plug		1	
12	10122013		针杆上封套	Rubber plug		1	
13	10122005		挑线轴衬套	Rubber plug		1	
14	10122004		针杆衬套	Rubber plug		1	
15	10151004		挑线轴衬套螺钉SM3/16*28 L=7	Screw SM3/16*28 L=7		1	
16	10151004		挑线轴衬套螺钉SM3/16*28 L=7	Screw SM3/16*28 L=7		1	
17	13512004		三孔线轴	3-hole thread guide		1	
18	10122005		挑线轴衬套螺钉	Rubber plug		1	
19	11451015		挑线轴螺钉SM9/64*40 L=6	Screw SM9/64*40 L=6		2	
20	11419001		挑线轴	Knife		1	
21	20122002		油塞	Rubber plug		1	
22	10122113		后盖板垫	Side plate gasket		1	
23	302892		后盖板(喷漆)	Side plate		1	
24	10151001		后盖板螺钉SM3/16*28 L=9	Screw SM3/16*28 L=9		11	
25	114530001		螺母M5x2	Screw M5x2		3	
26	11453001		直板螺母M5x20	Screw M5x20		3	
27	10133100		平缝一体机控制箱(T19)	Electronic control box		2	
28	10122006		送料调节器	Rubber plug		1	
29	10122007		下轴工艺孔塞	Rubber plug		1	
30	10151201		后盖板垫	Machine head stud Electronic		4	
31	10122007		下轴工艺孔塞	Washer		1	
32	1013041		二眼线轴	2-hole thread guide		1	
33	20651002		螺钉	Screw		2	
34	1013004		右线轴	Thread guide right		1	
35	10151007		右线轴螺钉SM11/64*40 L=6	Screw SM11/64*40 L=6		1	
36	10151006		螺钉SM15/64*28 L=7	Screw SM15/64*28 L=7		1	
37	11326101		松线钉	Tension release pin		1	
38	10122014		挑线轴调节O型圈	Rubber ring		1	
39	10151005		采线架螺钉SM9/64*40 L=5.5	Screw SM9/64*40 L=5.5		1	
40	10127001		挑线簧	Thread take-up spring		1	
41	10127031		挑线簧(厚料)	Thread take-up spring(H)		1	
42	10130011		挑线簧底座	Thread tension base		1	
43	10122005		采线板	Thread tension disk		2	
44	10122006		采线板	Disk stopper		1	
45	10133002		采线螺钉	Thread tension post		1	
46	10127002		采线簧	Thread tension spring A		1	
47	11427050		采线簧(厚料)	Thread tension spring A (H)		1	
48	10127007		采线制动板	Thread disk rotating stopper		1	
49	13851603		采线螺母	Thread tension nut		1	
50	1381300500		采线螺母	Thread tension nut		1	
51	1381300700		采线螺母(厚)	Thread tension nut(H)		1	
52	11413011		固定式线轴	Thread guide		1	
53	401516001		螺母SM9/64*40	Nut SM9/64*40		1	
54	10161002		边位螺母螺钉SM11/64*40 L=5.5	Screw SM11/64*40 L=5.5		1	
55	13812019		边位螺母	Ruler stop seat		1	
56	104517002		针板螺钉(进口) SM11/64*40	Screw SM11/64*40		2	
57	11414006		针板	Needle plate		1	
58	10151001		针板(-7)	Needle plate(-7)		1	
59	11351001		针板(厚料)	Needle plate(H)		1	
60	10151002		挑板	Slide plate		1	
61	10127009		挑板簧	Slide plate spring		1	
62	10151019		挑板簧螺钉SM3/32*56 L=2	Screw SM3/32*56 L=2		2	
63	1013001900		LED开关灯组件	Washer		1	
64	10151001		后盖板螺钉SM3/16*28 L=9	Screw SM3/16*28 L=9		1	
65	1013051		粗线压板	Cord hold		1	
66	1013009		GB/T97.1-1985垫圈 5	Washers		4	



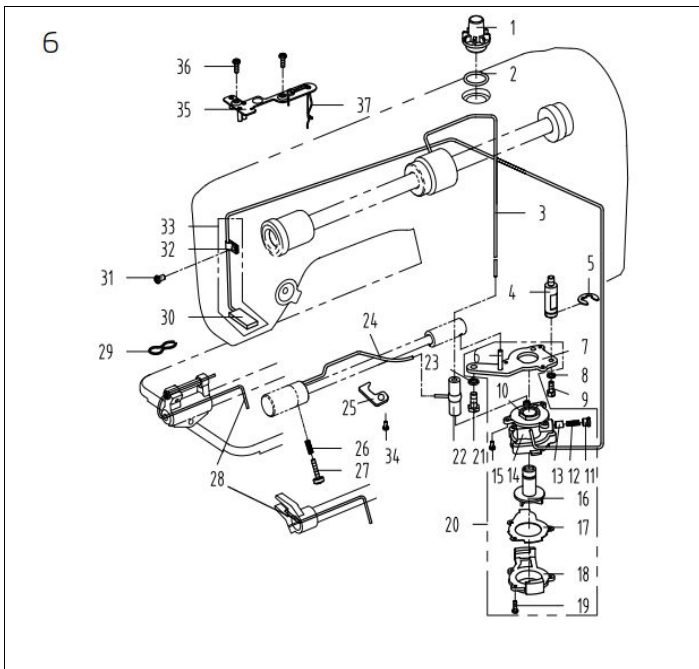
2. 上轴挑线分组件/Main Shaft & Thread Take-up Components

序号NO.	公司件号	Part NO.	名称	零件描述	Description	数量	Number
1	10126001		挑线轴衬套(厚料)	Thread take-up connecting rod pin(H)		1	
2	10126013		挑线轴衬套	Thread take-up connecting rod pin		1	
3	1326010		挑线轴衬套(-7)	Thread take-up connecting rod pin		1	
4	10151001		上轴螺钉 SM15/64*28 L=15	Screw SM15/64*28 L=15		1	
5	10150501		挑线轴衬套	Thread take-up connecting rod(H)		1	
6	10150501		挑线轴衬套	Thread take-up connecting rod		1	
7	10122003		挑线轴衬套	Thread take-up lever asm.		1	
8	10124001		挑线轴衬套	Thread take-up lever asm(H)		1	
9	10124001		挑线轴衬套	Thread take-up lever asm(H)		1	
10	10124001		挑线轴衬套	Thread take-up lever asm(H)		1	
11	10124001		挑线轴衬套	Thread take-up lever asm(H)		1	
12	10124001		挑线轴衬套	Thread take-up lever asm(H)		1	
13	10124001		挑线轴衬套	Thread take-up lever asm(H)		1	
14	10124001		挑线轴衬套	Thread take-up lever asm(H)		1	
15	10124001		挑线轴衬套	Thread take-up lever asm(H)		1	
16	10124001		挑线轴衬套	Thread take-up lever asm(H)		1	
17	10124001		挑线轴衬套	Thread take-up lever asm(H)		1	
18	10124001		挑线轴衬套	Thread take-up lever asm(H)		1	
19	10124001		挑线轴衬套	Thread take-up lever asm(H)		1	
20	10124001		挑线轴衬套	Thread take-up lever asm(H)		1	
21	10124001		挑线轴衬套	Thread take-up lever asm(H)		1	
22	10124001		挑线轴衬套	Thread take-up lever asm(H)		1	
23	10124001		挑线轴衬套	Thread take-up lever asm(H)		1	
24	10124001		挑线轴衬套	Thread take-up lever asm(H)		1	
25	10124001		挑线轴衬套	Thread take-up lever asm(H)		1	
26	10124001		挑线轴衬套	Thread take-up lever asm(H)		1	
27	10124001		挑线轴衬套	Thread take-up lever asm(H)		1	
28	10124001		挑线轴衬套	Thread take-up lever asm(H)		1	
29	10124001		挑线轴衬套	Thread take-up lever asm(H)		1	
30	10124001		挑线轴衬套	Thread take-up lever asm(H)		1	
31	10124001		挑线轴衬套	Thread take-up lever asm(H)		1	
32	10124001		挑线轴衬套	Thread take-up lever asm(H)		1	
33	10124001		挑线轴衬套	Thread take-up lever asm(H)		1	
34	10124001		挑线轴衬套	Thread take-up lever asm(H)		1	
35	10124001		挑线轴衬套	Thread take-up lever asm(H)		1	
36	10124001		挑线轴衬套	Thread take-up lever asm(H)		1	
37	10124001		挑线轴衬套	Thread take-up lever asm(H)		1	
38	10124001		挑线轴衬套	Thread take-up lever asm(H)		1	
39	10124001		挑线轴衬套	Thread take-up lever asm(H)		1	
40	10124001		挑线轴衬套	Thread take-up lever asm(H)		1	
41	10124001		挑线轴衬套	Thread take-up lever asm(H)		1	
42	10124001		挑线轴衬套	Thread take-up lever asm(H)		1	
43	10124001		挑线轴衬套	Thread take-up lever asm(H)		1	
44	10124001		挑线轴衬套	Thread take-up lever asm(H)		1	
45	10124001		挑线轴衬套	Thread take-up lever asm(H)		1	
46	10124001		挑线轴衬套	Thread take-up lever asm(H)		1	
47	10124001		挑线轴衬套	Thread take-up lever asm(H)		1	
48	10124001		挑线轴衬套	Thread take-up lever asm(H)		1	
49	10124001		挑线轴衬套	Thread take-up lever asm(H)		1	
50	10124001		挑线轴衬套	Thread take-up lever asm(H)		1	
51	10124001		挑线轴衬套	Thread take-up lever asm(H)		1	
52	10124001		挑线轴衬套	Thread take-up lever asm(H)		1	
53	10124001		挑线轴衬套	Thread take-up lever asm(H)		1	
54	10124001		挑线轴衬套	Thread take-up lever asm(H)		1	
55	10124001		挑线轴衬套	Thread take-up lever asm(H)		1	
56	10124001		挑线轴衬套	Thread take-up lever asm(H)		1	
57	10124001		挑线轴衬套	Thread take-up lever asm(H)		1	
58	10124001		挑线轴衬套	Thread take-up lever asm(H)		1	
59	10124001		挑线轴衬套	Thread take-up lever asm(H)		1	
60	10124001		挑线轴衬套	Thread take-up lever asm(H)		1	
61	10124001		挑线轴衬套	Thread take-up lever asm(H)		1	
62	10124001		挑线轴衬套	Thread take-up lever asm(H)		1	
63	10124001		挑线轴衬套	Thread take-up lever asm(H)		1	
64	10124001		挑线轴衬套	Thread take-up lever asm(H)		1	
65	10124001		挑线轴衬套	Thread take-up lever asm(H)		1	
66	10124001		挑线轴衬套	Thread take-up lever asm(H)		1	
67	10124001		挑线轴衬套	Thread take-up lever asm(H)		1	
68	10124001		挑线轴衬套	Thread take-up lever asm(H)		1	
69	10124001		挑线轴衬套	Thread take-up lever asm(H)		1	



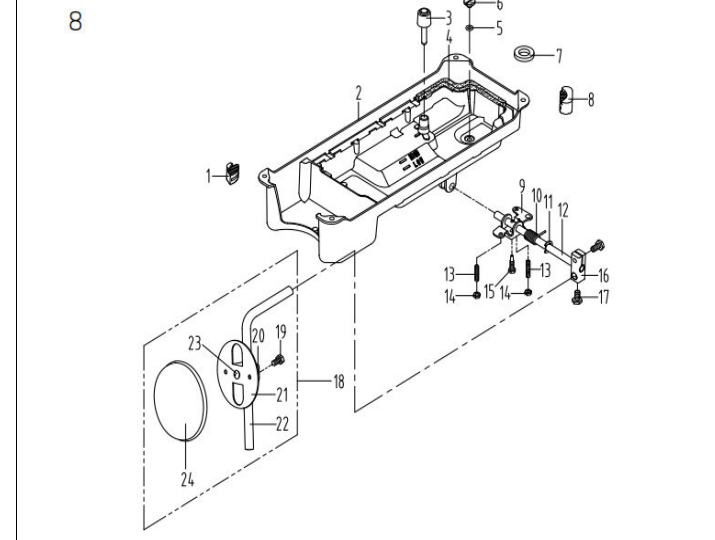
4. 压料分组件/Presser Bar Components

序号NO.	公司件号	Part NO.	名称	零件描述	Description	数量	Number
1	10151010		压脚扳手螺钉SM9/64*40 L=11	Screw SM9/64*40 L=11		1	
2	10128002		压脚扳手垫圈	Washer		1	
3	13811029		压脚扳手	Hand lifter		1	
4	001004		O型圈	Rubber ring		1	
5	10100020		压脚扳手凸轮分组件	Hand lifter cam asm.		1	
6	10152001		前杠杆螺钉	Screw		2	
7	10128015		螺纹铜垫圈(厚)	Washer(H)		2	
8	10120010		抬压脚前杠杆分组件	Lift front lever component		1	
9	10121013		抬压脚前杠杆	Knee lifter pull rod		1	
10	H05003		GB/T89.6-1986挡圈 5	Snap ring		2	
11	10121010		压脚升降板	Lifting plate		1	
12	10152004		抬压脚前杠杆螺钉SM3/16*32	Hinge screw SM3/16*32		1	
13	10152003		抬压脚前杠杆螺钉SM15/64*28	Hinge screw SM15/64*28		1	
14	10152003		抬压脚前杠杆	Knee lifter back lever		1	
15	10121015		抬压脚前杠杆	Knee lifter lever asm		1	
16	10121010		抬压脚前杠杆分组件	Press regulating screw		1	
17	13811027		压脚螺母	Presser regulating screw nut asm.		1	
18	13811027		压脚螺母	Presser regulating nut		1	
19	13811027		压脚螺母	Presser regulating nut		1	
20	13811028		压脚螺母	Presser regulating nut		1	
21	10120003		压脚螺母	Presser regulating guide bar		1	
22	11427033		压脚簧	Presser regulating spring		1	
23	13809030		压脚簧	Presser bar guide bracket		1	
24	10151007		压脚簧	Screw SM11/4*40 L=8		1	
25	10122112		压脚簧	Pressure bar oil cover		1	
26	10103012		压脚簧	Presser bar bushing,lower		1	
27	10102004		压脚簧	Presser bar		1	
28	10151009		压脚簧	Screw SM9/64*40 L=10.5		1	
29	113160000		压脚簧	Presser foot asm.		1	
30	113160010		压脚簧	Presser foot asm(H)		1	
31	11329020		压脚簧	Snap ring		5	
32	10152002		压脚簧	Wire release plate pin		1	
33	10128015		压脚簧	Washer(H)		1	
34	10121012		压脚簧	Wire release plate asm		1	
35	10126003		压脚簧	Thread release supporting pin		1	
36	H05012		压脚簧	Snap ring		1	
37	10128001		压脚簧	Washer plate		1	
38	10127003		压脚簧	Spring		1	
39	H05003		压脚簧	Snap ring		2	
40	10127008		压脚簧	Spring		1	
41	10127008		压脚簧	Spring		1	
42	10127008		压脚簧	Spring		1	
43	10127008		压脚簧	Spring		1	
44	10127008		压脚簧	Spring		1	
45	10127008	</					



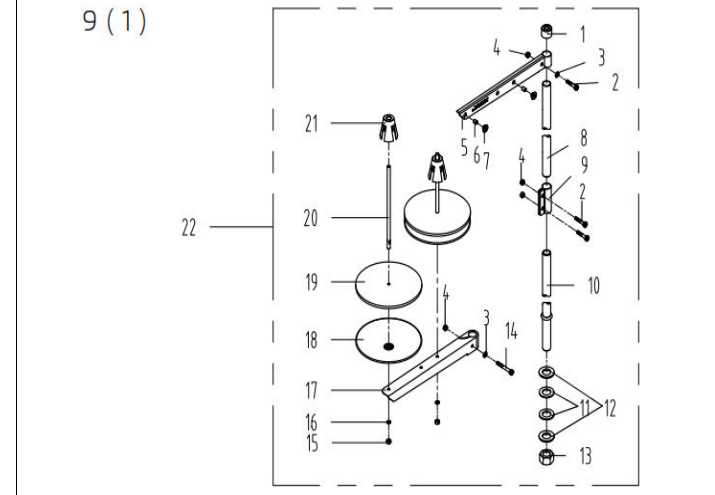
### 7. 绕线器组件/ Bobbin Components

序号NO	公司件号	Part NO.	名称	PartName	零件描述	Description	数量	Number
1	1383103900		绕线器组件		Bobbin winder asm.		1	
2	114511008		螺钉 M4x6		Screw M4x6		1	
3	GB/T97.1		垫圈4		Washer		1	
4	10113030		压线控制板		Thread press control plate		1	
5	1011120		绕线衬垫		Winding pad		1	
6	13831101		绕线器装置底座		Bobbin winder bed		1	
7	GB/T 896-1986		开口挡圈5		Snap ring		1	
8	10127061		复位板拉簧		Spring		1	
9	13831210		调节板		Regulating plate		1	
10	10110030		绕线凸轮		Bobbin winder cam		1	
11	509045		螺钉		Screw		1	
12	1380510600		绕线器连杆组件		Bobbin winder connecting rod		1	
13	13827103		弹簧复位簧		spring		1	
14	10127060		弹簧		Spring		1	
15	GB/T 896-1986		开口挡圈4		Snap ring		1	
16	13802111		绕线器主轴		Bobbin winder main shaft		1	
17	13802026		绕线凸轮轴		Bobbin winder cam shaft		1	
18	509103		绕线轮螺钉		Screw		2	
19	13831102		绕线轮		Bobbin winder wheel		1	
20	001110		O型圈		Ring		1	
21	11422062		密封垫		Washer		1	
22	114511003		螺钉 SM3/16" x 28 L=10		Screw SM3/16"x28 L=10		3	
23	1381300600		压线器连杆组件		Bobbin thread tension asm.		1	
24	13811004		尖线螺母		Thread tension nut		1	
25	11427006		小夹线弹簧		Spring		1	
26	1012005		尖线板		Thread tension disk		2	
27	11413022		尖线过线板		Thread tension guide plate		1	
28	112513004		尖线螺钉		Screw		1	
29	114516001		螺母 SM11/64" x 40		Nut SM11/64"x40		1	
30	11435013		绕线器驱动轮		Driving wheel		1	
31	510009		螺钉 M6x8		Screw M6x8		2	



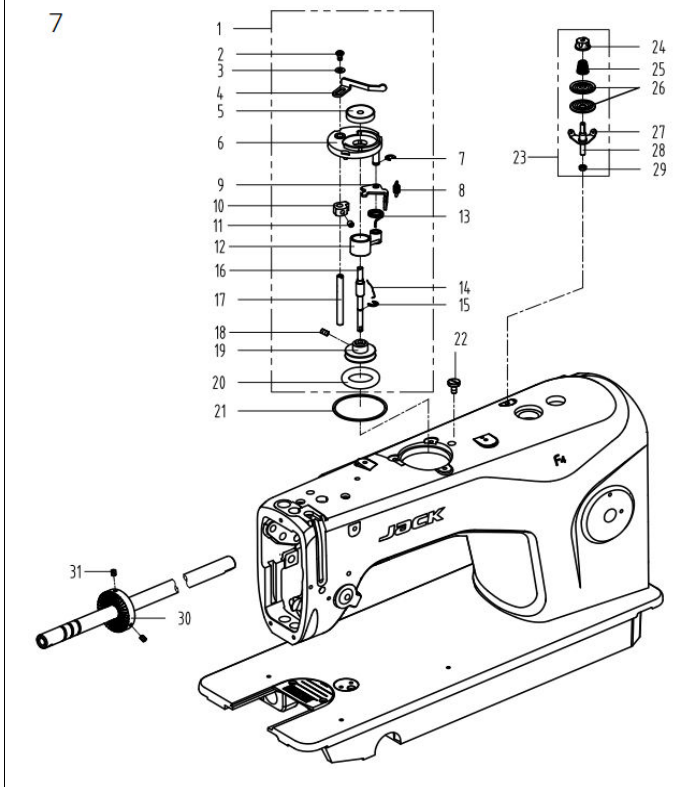
### 8. 油盘、膝抬压脚分组件/Oil Reservoir, Knee Lifter Components

序号NO	公司件号	Part NO.	名称	PartName	零件描述	Description	数量	Number
1	10122022		油盘座垫		Oil reservoir rubber cushion		2	
2	13801020		油盘		Oil reservoir		1	
3	10111005		膝抬脚顶杆		Knee lifter push rod		1	
4	10122020		油盘垫圈		Oil Reservoir gasket		1	
5	10122021		O形圈		Rubber ring		1	
6	10151028		排油孔螺钉 SM5/16" x 24 L=7		Screw SM5/16"x24 L=7		1	
7	10131001		油盘磁体		Oil reservoir magnet		1	
8	10122023		油盘支架		Oil reservoir rubber cushion		2	
9	1012027		膝抬脚双向曲柄		Knee lifter crank		1	
10	10127106		双向曲柄扭簧		Knee lifter spring		1	
11	H05010		GB/T 896-1986 挡圈10		Snap ring 10		1	
12	10120211		膝抬脚轴		Knee lifter shaft		1	
13	10151012		双向曲柄限位调节螺钉 M6 L=30		Screw M6 L=30		2	
14	101516004		双向曲柄限位调节螺母 M6 L=4		Nut M6 L=4		2	
15	10151002		双向曲柄螺钉 M6 L=26		Screw M6 L=26		1	
16	10101008		膝抬脚轴螺母 M6 L=26		Bearing bracket		1	
17	10151003		螺钉 M8 L=16		Screw M8 L=16		1	
18	101202800		膝抬脚轴组件		Knee press plate asm.		1	
19	10151004		螺钉 M6 L=11		Screw M6 L=11		1	
20	1012030		膝抬脚轴头		Knee press plate holder		1	
21	1012029		膝抬脚板		Knee press plate		1	
22	1012028		膝抬脚轴		Knee press plate rod		1	
23	10122025		膝抬脚垫		Rubber		1	
24	10122024		膝抬脚板软垫		Knee press plate cover		1	



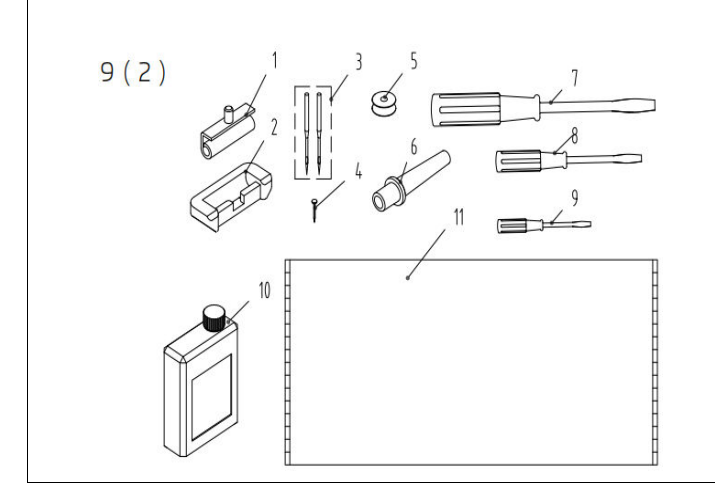
### 6. 润滑、油量检测组件/Oil Lubrication, Oil Measuring Components

序号NO	公司件号	Part NO.	名称	PartName	零件描述	Description	数量	Number
1	11211004		油窗		Oil sight window		1	
2	10122019		油窗O形圈		Rubber ring		1	
3	13821008		主轴油窗		Main shaft oil tube		1	
4	101530008		油泵连接螺钉		Oil pump connecting stud		1	
5	11329010		开口挡圈10		Snap ring 10		1	
6	10121001		下轴油窗		Hook driving shaft oil tube		1	
7	10121020		油泵安装板		Oil pump installing base		1	
8	W03002		弹簧		Spring washer		1	
9	10151101		压线螺钉 SM11/64" x 40 L=9.5		Screw SM11/64"x40 L=9.5		1	
10	10103022		油泵衬套		Oil pump bushing		1	
11	101530007		柱塞螺钉		Plunger Screw		1	
12	10127013		柱塞簧		Plunger spring		1	
13	10122018		柱塞		Plunger		1	
14	10120001		油泵体		Oil pump		1	
15	504093		油泵螺钉		Screw		3	
16	1011003		油泵叶轮		Oil pump impeller		1	
17	1012021		油泵叶轮托板		Oil pump impeller cover		1	
18	1011007		油泵盖		Lubricating oil pump cover		1	
19	101530006		螺钉		Screw		3	
20	101200100		油泵分部件		Lubricating oil pump component		1	
21	101511026		油泵安装螺钉 SM15/64" x 28 L=9		Screw SM15/64"x28 L=9		1	
22	10136001		供油接头		Rubber joint		1	
23	W020004		GB/T 93-1987 弹簧 M6		Spring Washer M6		1	
24	10121006		供油管		Hook oil tube		1	
25	1012022		管夹供油管压板		Tube holder (lower)		1	
26	10127014		油窗调节螺钉弹簧		Spring		1	
27	101530009		油窗调节螺钉		Oil volume adjusting screw		1	
28	10423005		油线		Oil wick		1	
29	10127016		回油毡		Oil felt clamp		1	
30	10123006		回油毡		Oil felt felt		1	
31	101511004		绕线杆护套螺钉 SM3/16" x 28 L=7		Screw SM3/16"x28 L=7		1	
32	10121023		回油管夹		Oil tube clamp		1	
33	10121007		回油管部件		Oil return tube component		1	
34	101511026		油泵安装螺钉 SM15/64" x 28 L=9		Screw SM15/64"x28 L=9		1	
35	10151026		油线固定板		Oil wick fixing plate		1	
36	10151010		压脚按手螺钉 SM9/64" x 40 L=11		Screw SM9/64"x40 L=11		2	
37	10123010		油线		Oil wick		1	



### 9. 机头附件 (1) /Machine Head Accessories

序号NO	公司件号	Part NO.	名称	PartName	零件描述	Description	数量	Number
1	20131019		线架杆顶防护橡皮		Spool rest rod rubber cap		1	
2	504050		十字槽四六角头螺栓 M5 L=16		Screw M5 L=16		3	
3	W01047		垫圈 M5		Washer M5		2	
4	N01034		螺母 M5		Nut M5		4	
5	13831022		上线架过线杆		Spool rest arm upper		1	
6	10113011		过线圈 (内)		Thread guide ring		2	
7	10113010		过线圈 (外)		Thread guide ring		2	
8	13831019		线架杆上节		Spool rest rod upper		1	
9	13831021		线架杆接头		Spool rest rod joint		1	
10	13831020		线架杆下节		Spool rest rod lower		1	
11	10122106		橡胶垫圈		Spool rest rod rubber ring		2	
12	W01048		垫圈 M16		Washer M16		2	
13	N02008		螺母 M16		Spool rest rod nut M16		1	
14	504051		十字槽四六角头螺栓 M5		Spool rest arm lower screw M5		1	
15	N01034		螺母 M5		Nut M5		2	
16	W03002		弹簧垫圈 M5		Spring washer M5		2	
17	13831023		下线架过线杆		Spool rest arm lower		1	
18	13831024		线架		Spool rest		2	
19	20131010		线架垫		Spool rest cushion		2	
20	20131006		线架钉		Spool pin		2	
21	13831025		线架防松垫		Spool restainer		2	
22	1383100300		线架组件 (蓝色)		Thread stand asm.		1	



### 9. 机头附件 (2) /Machine Head Accessories (2)

序号NO	公司件号	Part NO.	名称	PartName	零件描述	Description	数量	Number
1	1011203100		机头连接钩部件		Hinge component		2	
2	10122060		机头连接钩座		Head connecting rubber cushion		2	
3	10117012		机针 DPx1#14 (薄料)		Needle		4	
4	10117022		机针 DPx5#21 (厚料)		Needle(H)		4	
4	101530010		机头连接钩螺钉		Nut		4	
5	10118003		机头		Bobbin		2	
6	10111011		机头支柱		Machine head rest pin		1	
7	20131047		JK-798-2605 螺丝刀		Screw driver, large		1	
8	10131003		螺丝刀 (中)		Screw driver, medium		1	
9	10131004		螺丝刀 (小)		Screw driver, small		1	
10	1381101200		油桶部件		Oiler component		1	
11	40131017		防尘罩		Dust cover		1	

**杰克缝纫机股份有限公司**  
**杰克缝纫机**  
**全球销量遥遥领先**

公司地址(Address of Company) :  
 台州市椒江区机场南路15号  
 No.15 Rd Airport South, Jiaojiang District Taizhou City, Zhejiang, P.R.C  
 邮编( Zip Code ) : 318000  
 国内销售部(Domestic Trade Department) :  
 电话(Tel) : 0086-0576-881 77788 881 77789  
 传真(FAX) : 0086-0576-881 77758  
 国际贸易部(International Trade Department) :  
 电话(Tel) : 0086-0576-881 77782 881 77774  
 传真(FAX) : 0086-0576-881 77787  
 服务热线 : 400-8876858  
 http://www.chinajack.com  
 资料如有更改,恕不另行通知,以实物为准。  
 You will be not informed if the file has been revised Please set sample as standard.

请扫描下方二维码

[www.chinajack.com](http://www.chinajack.com)  
2018.12