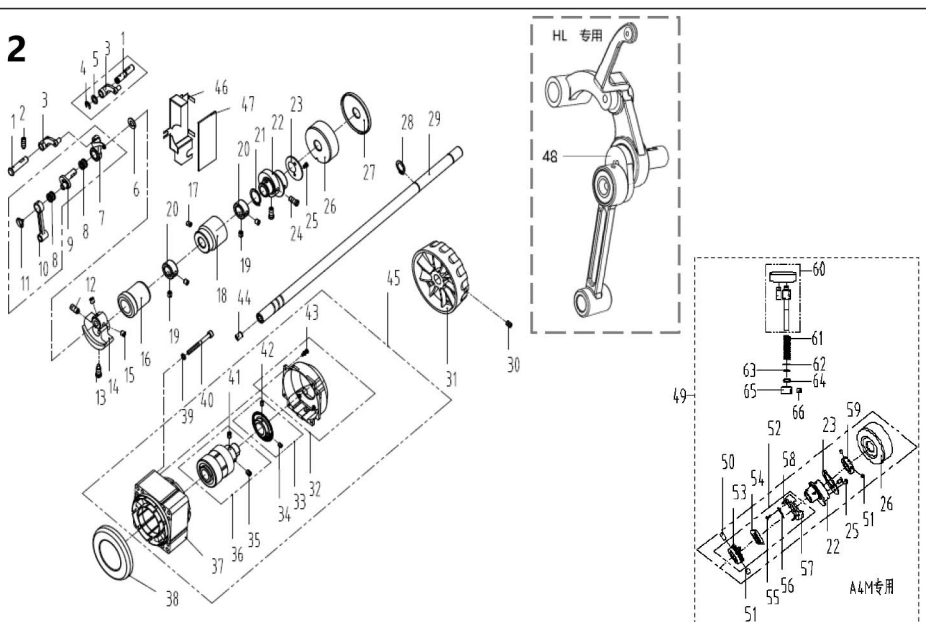


1. 机壳、外装分组件/Machine Frame & Miscellaneous Cover Components

序号 NO	公司件号 Part NO	名称 PartName	零件描述 Description	数量 Number
1	101S11001	螺钉SM3/16"×28 L=9	Screw SM3/16"×28 L=9	3
2	10122003	面板调节孔螺塞	Rubber plug	2
3	13837002	商标牌	Head card	1
4	13801012	面板	Face plate	1
5	13813005	左线钩	Thread guide left	1
6	101S11007	螺钉SM11/64"×40 L=6	Screw SM11/64"×40 L=6	1
7	13822006	面板垫	Face plate gasket	1
8	101S11027	螺钉SM1/8"×44 L=3.4	Screw SM1/8"×44 L=3.4	1
9	113812019	面部防油板	Face oil shield asm	1
	11412082	面部防油板 (厚料)	Face oil shield asm (H)	1
10	10122013	针杆上衬套孔塞	Rubber plug	1
11	10122005	挑线连杆销螺塞	Rubber plug	1
12	10122004	针杆曲柄螺塞	Rubber plug	1
13	101S11004	螺钉SM3/16"×28 L=7	Screw SM3/16"×28 L=7	1
14	13812018	挑线杆防护罩	Thread take-up lever cover	1
15	101S11004	螺钉SM3/16"×28 L=7	Screw SM3/16"×28 L=7	1
16	13512004	三孔线勾	3-hole thread guide	1
17	10122005	挑线连杆销螺塞	Rubber plug	1
18	114511015	螺钉SM9/64"×40 L=6	Screw SM9/64"×40 L=6	2
19	11419001	割线刀	Knife	1
20	20722002	油塞	Rubber plug	1
21	13822001	操作屏孔塞	Rubber plug	2
22	13822007	后窗板垫	Side plate gasket	1
23	13812011	后窗板	Side plate	1
24	101S11001	螺钉SM3/16"×28 L=9	Screw SM3/16"×28 L=9	11
25	13811031	一体机电控罩壳 (鲍麦克斯)	Electronic control box	1
26	W01009	GB/T97.1-1985垫圈 5	Washer 5	1
27	114513001	螺钉M5 L=20	Screw M5 L=20	3
28	114530001	螺钉M5 L=25	Screw M5 L=25	1
29	13833010	一体机电控组件 (琦星)	Electronic control box (Q)	1
	13833013	一体机电控组件 (鲍麦克斯)	Electronic control box	1
	1383300100	一体机电控组件 (鲍麦克斯) (A4+)	Electronic control box (A4+)	1
30	10122006	送料调节器孔塞	Rubber plug	1
31	10122007	下轴工艺孔塞	Rubber plug	1
32	138S05001	螺钉M3 L=12	Screw M3 L=12	2
	13833012	一体机电控面板组件 (琦星)	Control panel (Q)	1
33	13833015	一体机电控面板组件 (鲍麦克斯)	Control panel	1
	11383002500	一体机电控面板组件 (琦星) (A4M-Q)	Control panel (A4M-Q)	1
	11383300200	一体机电控面板组件 (鲍麦克斯) (A4+)	Control panel (A4+)	1
34	101S12001	底板支柱	Machine head stud	2
35	13822002	装饰条	Decorative article	1
36	101S11004	螺钉SM3/16"×28 L=7	Screw SM3/16"×28 L=7	2
37	1411300400	小夹线器组件	Thread tension asm	1
38	141S16019	小夹线器螺母	Thread tension nut	1
39	11227001	小夹线弹簧	Thread tension spring	1
40	14112017	小夹线板	Thread tension disk	2
41	13810008	小夹线器螺柱	Thread tension post	1
42	138S08006	螺钉SM3/16"×28 L=7	Screw SM3/16"×28 L=7	1
43	13812066	过线板	Thread tension guide plate	1
44	11322014	橡皮塞 (三孔)	Rubber plug (three-hole)	1
45	10113004	右线钩	Thread guide right	1
46	101S11007	螺钉SM11/64"×40 L=6	Screw SM11/64"×40 L=6	1
47	101S15010	螺钉SM15/64"×28 L=10.5	Screw SM15/64"×28 L=10.5	1
48	11326012	松线钉	Tension release pin	1
	10126002	松线钉 (厚料)	Tension release pin (H)	1
49	10122014	挑线簧调节座O型圈	Rubber ring	1
50	101S15005	螺钉SM9/64"×40 L=5.5	Screw SM9/64"×40 L=5.5	1
51	10127021	挑线簧	Thread take-up spring	1
	10127022	挑线簧 (厚料)	Thread take-up spring (H)	1
52	10103011	挑线簧调节座	Thread tension base	1
53	14112015	夹线板	Thread tension disk	2
54	14112016	松线板	Disk stopper	1
55	141S30001	夹线螺钉	Thread tension post	1
56	10127002	夹线弹簧	Thread tension spring	1
	11427050	夹线弹簧 (厚料)	Thread tension spring (H)	1
57	10112007	夹线制动板	Thread disk rotating stopper	1
58	141S16013	夹线螺母	Thread tension nut	1
59	1411300300	夹线器组件	Thread tension asm	1
	1411300500	夹线器组件 (厚料)	Thread tension asm (H)	1
60	1383002700	电子夹线器组件	Nest less e-device	1
61	207S14007	螺钉M4 L=6	Screw M4 L=6	1
62	11413011	固定式线钩	Thread guide	1
63	401S16001	螺母SM9/64"×40	Nut SM9/64"×40	1
64	101S11002	螺钉SM11/64"×40 L=5.5	Screw SM11/64"×40 L=5.5	1
65	13812019	卷边器座	Ruler stop seat	1
66	104S17002	螺钉SM11/64"×40 L=6.5	Screw SM11/64"×40 L=6.5	2
	11414006	针板	Needle plate	1
67	11315001	针板 (厚料)	Needle plate (H)	1
	10815001	针板 (-7)	Needle plate (-7)	1
	13615003	针板 (HL-7)	Needle plate (HL-7)	1
68	10115002	推板	Slide plate	1
69	10127009	推板簧	Slide plate spring	1
70	101S11019	螺钉SM3/32"×56 L=2	Screw SM3/32"×56 L=2	2
71	13812109	侧盖固定板	Fixed plate	1
72	S04010	螺钉M4 L=5.5	Screw M4 L=5.5	1
73	H05002	GB/T 896-1986卡簧3	Snap ring 3	1
74	138S30007	侧盖螺钉	Side cover Screw	1
75	12922015	橡皮塞	Rubber plug	1
76	13826009	罩壳台阶销	Pin	1
77	114130006	无线通信模块 (A4+)	RF wireless data communication module (A4+)	1
78	14011009	一体机电控后侧盖 (鲍麦克斯)	Side cover	1
79	11383001600	一体机电控罩壳组件 (鲍麦克斯)	Electronic control box	1
	11383307400	一体机电控罩壳组件 (鲍麦克斯) (A4+)	Electronic control box (A4+)	1
80	113833074	二维码标签纸 (A4+)	Label paper (A4+)	1
81	195244003	U型线夹 (A4+)	U clip (A4+)	1

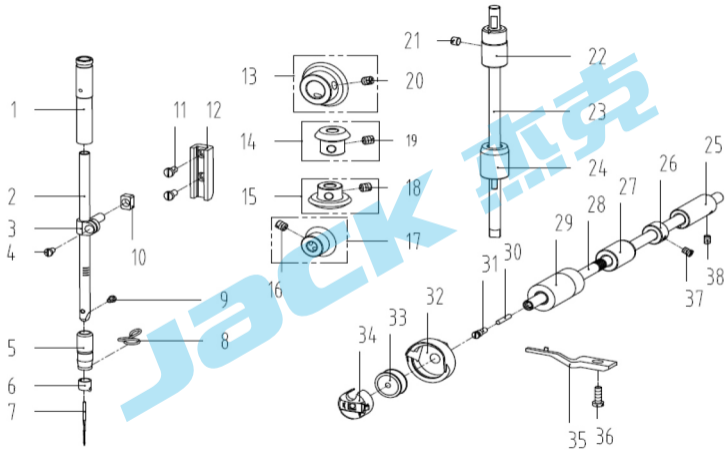
2



2. 上轴挑线分组件/Main Shaft & Thread Take-up Components

序号 NO	公司件号 Part NO	名称 PartName	零件描述 Description	数量 Number
1	11326013	挑线连杆销	Thread take-up connecting rod pin	1
	10126001	挑线连杆销 (厚料) (-M)	Thread take-up connecting rod pin (H & M)	1
2	101515001	螺钉SM15/64"x28 L=15	Screw SM15/64"x28 L=15	1
3	10105001	挑线连杆 (厚料)	Thread take-up connecting rod (H)	1
	11305010	挑线连杆	Thread take-up connecting rod	1
4	H05013	GB/T 896-1986挡圈6	Snap ring 6	1
5	11328010	垫片	Washer	1
6	10112003	针杆曲柄护板	Needle bar crank protecting plate	1
7	1013800100	挑线杆分组件	Thread take-up lever asm	1
	1133800200	挑线杆组件 (厚料)	Thread take-up lever asm (H)	1
8	10124001	挑线杆滚针轴承	Needle bearing	2
	11310012	挑线曲柄分部件	Thread take-up crank	1
9	1011000400	挑线曲柄分部件 (厚料)	Thread take-up crank (H)	1
	11310010	挑线曲柄分部件 (H-M)	Thread take-up crank (H-M)	1
10	10105002	针杆连杆	Needle bar connecting rod	1
11	101517001	螺钉SM9/64"x40 (左旋) L=4.8	Screw SM9/64"x40 (left hand) L=4.8	1
12	101515004	螺钉SM9/32"x28 L=16	Screw SM9/32"x28 L=16	1
13	101511003	螺钉SM9/32"x28 L=16	Screw SM9/32"x28 L=16	1
14	10404001	针杆曲柄	Needle bar crank	1
	11404035	针杆曲柄 (厚料)	Needle bar crank (H)	1
15	101515002	螺钉SM1/4"x40 L=6	Screw SM1/4"x40 L=6	2
16	1140300200	上轴前轴套组件	Main shaft bushing front	1
17	101515006	螺钉SM15/64"x28 L=7	Screw SM15/64"x28 L=7	1
18	12203002	主轴中轴套	Main shaft bushing mid	1
19	101514001	螺钉SM1/4"x40 L=6	Screw SM1/4"x40 L=6	4
20	10108001	上轴挡圈	Main shaft thrust collar	2
21	H03002	GB/T 894.1挡圈20	Snap ring 20	1
	11310014	送料偏心轮	Feed eccentric cam	1
22	400811	送料偏心轮 (厚料)	Feed eccentric cam (H)	1
	400006	送料偏心轮 (H-M)	Feed eccentric cam (H-M)	1
	113810007	送料偏心轮 (A4M)	Feed eccentric cam (A4M)	1
	10112017	送料偏心轮盖板	Cover plate	1
23	10812002	送料偏心轮盖板 (厚料, H-M)	Cover plate (H & H-M)	1
	114612002	偏心轮盖板 (A4M)	Cover plate(A4M)	1
24	101511013	螺钉SM1/4"x40 L=13	Screw SM1/4"x40 L=13	2
25	113511003	螺钉SM9/64"x40 L=5	Screw SM9/64"x40 L=5	2
26	13803002	上轴后轴套	The rear axle sleeve	1
27	113803009	上轴后轴套 (A4M)	The rear axle sleeve (A4M)	1
28	10122105	上轴后套挡油封	Oil seal	1
28	H03001	GB/T894.1-1986挡圈15	Snap ring 15	1
29	13802060	上轴	Main shaft	1
	113802013	上轴 (A4M)	Main shaft (A4M)	1
30	S10009	螺钉M6 L=8	Screw M6 L=8	2
31	113835001	手轮	Handwheel	1
	930000155	手轮 (A4M)	Handwheel (A4M)	1
	195100018	电机罩壳组件 (琦星)	Motor cover asm (Q)	1
32	95100172	电机罩壳组件 (鲍麦克斯)	Motor cover asm	1
	95100116	电机光栅组件 (鲍麦克斯)	Motor grating sensor asm	1
33	95100117	电机光栅组件 (琦星)	Motor grating sensor asm (Q)	1
34	S09022	螺钉M3 L=4	Screw M3 L=4	1
35	S09113	螺钉M6 L=6	Screw M6 L=6	1
36	95100182	电机转子总成	Motor rotor	1
37	95100171	电机定子总成	Motor stator	1
38	13811060	电机绝缘防护罩	Motor insulation shield	1
39	W02058	弹簧5	Spring washer 5	3
40	S05901	螺钉M5 L=50	Screw M5 L=50	3
41	S09113	螺钉M6 L=6	Screw M6 L=6	1
42	S09022	螺钉M3 L=4	Screw M3 L=4	1
43	951515011	螺钉组件M3 L=12	Screw asm M3 L=12	5
44	10122012	上轴孔塞	Rubber plug	1
45	113830001	ZB-AMA4-25A光电伺服电机 (鲍麦克斯)	Motor	1
	113833073	ZB-MA4-25A光电伺服电机 (琦星)	Motor (Q)	1
46	14112004	防油罩	Oil shield	1
47	14123001	防油罩油棉	Oil cotton	1
48	1013800300	挑线杆大组件 (HL专用)	Thread take-up lever asm (HL)	1
49	/	A4M专用组件	A4M Dedicated components	/
50	207511018	螺钉M5 L=10	Screw M5L=10	2
51	S10002	螺钉M5 L=5	screw M5x5	3
52	11461000300	连接套组件	Connecting sleeve asm	1
53	114625001	棘轮	Ratcheting	1
54	114609001	棘爪	Pawl	1
55	207520005	螺钉M2 L=3	Screw M2 L=3	1
56	114627003	弹簧	Spring	1
57	114610003	连接套	Connecting sleeve	1
58	P03047	弹性圆柱销2	Elastic round pin	3
59	114608003	偏心轮挡圈	Eccentric cam thrust collar	1
60	11461100200	按钮盖组件	Button cap asm	1
61	20727004	弹簧	Spring	1
62	20728001	垫片	Washer	1
63	O01027	O型圈	O Ring	1
64	20722005	油封	Gaket	1
65	114608002	限位挡圈	Limit collar	1
66	207514007	螺钉M4 L=6	Screw M4 L=6	1

3

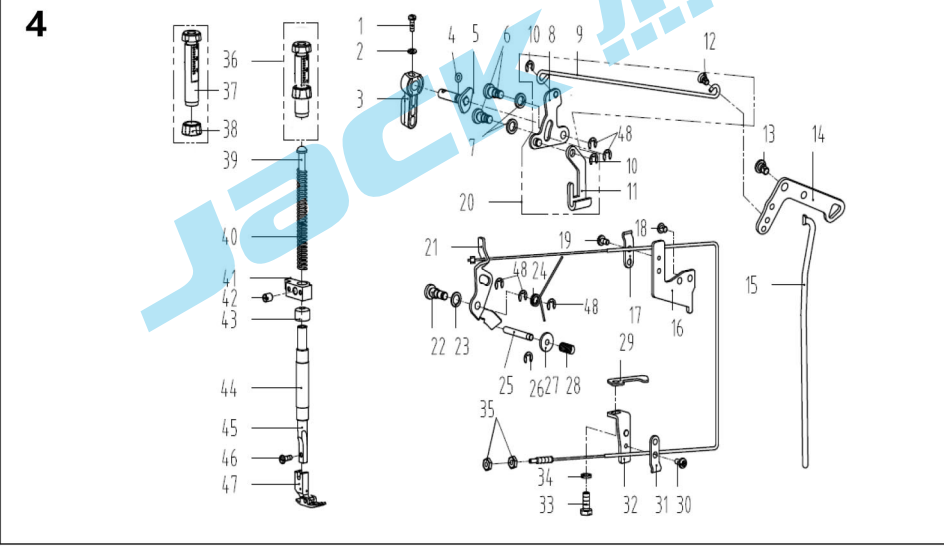


3. 针杆、竖轴、下轴部件/Needle bar & Upright Shaft & Hook Driving Shaft Components (1)

序号 NO	公司件号 Part NO	名称 PartName	零件描述 Description	数量 Number
1	10103009	针杆上衬套 (厚料)	Rubber plug (H)	1
	14103009	针杆上衬套	Needle bar bushing upper	1
2	11402039	针杆	Needle bar	1
	10102021	针杆 (厚料)	Needle bar (H)	1
3	10138002	针杆连接柱	Needle bar connecting rod	1
	13505003	针杆连接柱 (HL)	Needle bar connecting rod (HL)	1

3. 针杆、竖轴、下轴部件/Needle bar & Upright Shaft & Hook Driving Shaft Components (2)

序号 NO	公司件号	Part NO	名称	PartName	零件描述	Description	数量	Number
4	101S11005		螺钉SM9/64°x40 L=6	Screw SM9/64°x40 L=6	Screw SM9/64°x40 L=6		1	
5	10103010		针杆下衬套	Needle bar bushing lower	Needle bar bushing lower		1	
	11303023		针杆下衬套 (厚料)	Needle bar bushing lower (H)	Needle bar bushing lower (H)		1	
6	10113002		针杆线勾	Needle bar thread guide	Needle bar thread guide		1	
	11412063		针杆线勾 (厚料)	Needle bar thread guide (H)	Needle bar thread guide (H)		1	
7	10117001		机针DB×1#14	NeedleDB×1#14	NeedleDB×1#14		1	
	10117002		机针DP×5#21 (厚料)	NeedleDP×5#21 (H)	NeedleDP×5#21 (H)		1	
8	10413001		针杆下衬套线勾	Lower bushing thread guide	Lower bushing thread guide		1	
	10113009		针杆下轴套线勾 (厚料)	Lower bushing thread guide (H)	Lower bushing thread guide (H)		1	
9	104511006		螺钉SM1/8°x44 L=4.5	Screw SM1/8°x44 L=4.5	Screw SM1/8°x44 L=4.5		1	
10	10109001		针杆连接柱滑块	Slide block	Slide block		1	
11	101S11008		螺钉SM11/64°x40 L=8	Screw SM11/64°x40 L=8	Screw SM11/64°x40 L=8		2	
12	10109002		针杆接头滑块导轨	Needle bar guide	Needle bar guide		1	
13	10425004		上轴伞齿轮	Upper shaft bevel gear	Upper shaft bevel gear		1	
14	10425003		竖轴上伞齿轮	Upper small bevel gear asm	Upper small bevel gear asm		1	
15	10425002		竖轴下伞齿轮	lower large bevel gear asm	lower large bevel gear asm		1	
16	101S15014		螺钉SM1/4°x40 L=7	Screw SM1/4°x40 L=7	Screw SM1/4°x40 L=7		2	
17	10425001		下轴伞齿轮	Hook drive shaft bevel gear	Hook drive shaft bevel gear		1	
18	101S15014		螺钉SM1/4°x40 L=7	Screw SM1/4°x40 L=7	Screw SM1/4°x40 L=7		2	
19	101S15014		螺钉SM1/4°x40 L=7	Screw SM1/4°x40 L=7	Screw SM1/4°x40 L=7		2	
20	101S15014		螺钉SM1/4°x40 L=7	Screw SM1/4°x40 L=7	Screw SM1/4°x40 L=7		2	
21	113511036		螺钉SM15/64°x28 L=4.7	Screw SM15/64°x28 L=4.7	Screw SM15/64°x28 L=4.7		1	
22	10403020		竖轴上轴套	Upright shaft bushing upper	Upright shaft bushing upper		1	
23	10102007		竖轴	Upright shaft	Upright shaft		1	
24	10403013		竖轴下轴套	Upright shaft bushing lower	Upright shaft bushing lower		1	
25	10403019		下轴后轴套	Hook driving shaft bushing back	Hook driving shaft bushing back		1	
26	10108002		下轴挡圈	Hook driving shaft snap ring	Hook driving shaft snap ring		1	
27	113803006		下轴中套	Lower shaft middle bushing	Lower shaft middle bushing		1	
28	13802061		下轴	Hook driving shaft	Hook driving shaft		1	
29	11303001		下轴前轴套	Hook driving shaft bushing front	Hook driving shaft bushing front		1	
30	13823001		下轴限油芯	Oil wick	Oil wick		1	
31	101S30005		下轴限油螺钉	Set screw	Set screw		1	
32	11418003		广濑中厚料旋梭	Hook asm (Hirose)	Hook asm (Hirose)		1	
	11418007		旋梭 (-C)	Hook asm (China) (-C)	Hook asm (China) (-C)		1	
	11418002		德盛有尾巴厚料旋梭 (-CH)	Hook asm (China Desheng) (-CH)	Hook asm (China Desheng) (-CH)		1	
	11418004		广濑厚料旋梭 (有尾巴) (-H)	Hook asm (Hirose) (H)	Hook asm (Hirose) (H)		1	
	13618003		大旋梭 (HL)	Hook asm (HL)	Hook asm (HL)		1	
	13818001		国产德盛旋梭 (-P)	Hook asm (-P)	Hook asm (-P)		1	
33	10118003		梭心	Bobbin	Bobbin		1	
	10818501		梭心 (HL)	Bobbin (HL)	Bobbin (HL)		1	
	13818002		梭芯 (-P)	Bobbin (-P)	Bobbin (-P)		1	
34	11218504		梭壳	Bobbin case asm	Bobbin case asm		1	
	13618001		梭壳 (HL)	Bobbin case asm (HL)	Bobbin case asm (HL)		1	
	13818003		梭壳 (-P)	Bobbin case asm (-P)	Bobbin case asm (-P)		1	
35	10112016		旋梭定位钩	Finger postioner	Finger postioner		1	
	10112032		旋梭定位勾 (厚料)	Finger postioner (H)	Finger postioner (H)		1	
36	116S11005		螺钉SM11/64°x40 L=13	Screw SM11/64°x40 L=13	Screw SM11/64°x40 L=13		1	
37	101S11012		螺钉SM11/64°x40 L=4.8	Screw SM11/64°x40 L=4.8	Screw SM11/64°x40 L=4.8		2	
38	113S14020		螺钉SM11/64°x40 L=6	Screw SM11/64°x40 L=6	Screw SM11/64°x40 L=6		1	

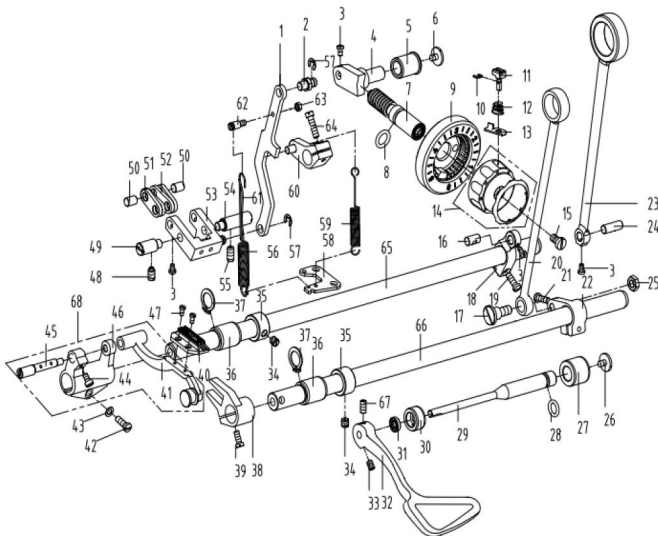


4. 压料分组件/Presser Bar Components (1)

序号NO	公司件号	Part NO	名称	PartName	零件描述	Description	数量	Number
1	101S11010		螺钉SM9/64°x40 L=11	Screw SM9/64°x40 L=11	Screw SM9/64°x40 L=11		1	
2	10128002		压脚扳手螺钉垫圈	Washer	Washer		1	
3	13811029		压脚扳手	Hand lifter	Hand lifter		1	
4	O01004		O型圈	Rubber ring	Rubber ring		1	
5	1381000200		压脚扳手凸轮分部件	Hand lifter cam asm	Hand lifter cam asm		1	
6	101S20001		前杠杆螺纹销	Screw	Screw		2	
7	10128015		螺纹销橡胶垫圈	Washer	Washer		2	
8	1381203000		抬压脚前杠杆分部件	Lift front lever component	Lift front lever component		1	
9	10112013		抬压脚拉杆	Knee lifter pull rod	Knee lifter pull rod		1	
10	H05003		GB/T896-1986挡圈 5	Snap ring	Snap ring		2	
11	10112010		压脚升降板	Lifting plate	Lifting plate		1	
12	101S20004		抬压脚拉杆螺钉SM3/16°x32	Hinge Screw SM3/16°x32	Hinge Screw SM3/16°x32		1	
13	101S20003		后杠杆轴位螺钉SM15/64°x28	Hinge screw SM15/64°x28	Hinge screw SM15/64°x28		1	
14	12812033		抬压脚后杠杆	Knee lifter back lever	Knee lifter back lever		1	
15	13812028		抬压脚顶杆	Knee lifter connecting rod	Knee lifter connecting rod		1	
16	11212009		松线导管上支架	Wire release bracket upper	Wire release bracket upper		1	
17	11212008		松线导管压板	Wire release press plate	Wire release press plate		1	
18	101S11004		螺钉SM3/16°x28 L=7	Screw SM3/16°x28 L=7	Screw SM3/16°x28 L=7		1	
19	113S11004		螺钉M4 L=8	Screw M4 L=8	Screw M4 L=8		1	
20	1381203200		抬压脚前杠杆组件	Knee lifter lever asm	Knee lifter lever asm		1	
21	11381201100		松线顶板组件	Wire release plate asm	Wire release plate asm		1	
22	101S20002		松线顶板螺纹销	Wire release plate pin	Wire release plate pin		1	
23	10128015		螺纹销橡胶垫圈	Washer	Washer		1	
24	11427009		松线顶板复位簧	Reset spring	Reset spring		1	
25	10126003		松线辅钉	Thread release supporting pin	Thread release supporting pin		1	
26	H05012		挡圈 4	Snap ring 4	Snap ring 4		1	
27	10128001		松线辅钉垫片	washer	washer		1	
28	10127003		松线辅钉弹簧	Spring	Spring		1	
29	10112022		旋梭供油管压板	Tube press plate	Tube press plate		1	
30	113S11004		螺钉M4 L=8	Screw M4 L=8	Screw M4 L=8		1	
31	11212008		松线导管压板	Wire presser	Wire presser		1	
32	11312001		松线导管下支架	Wire release bracket lower	Wire release bracket lower		1	
33	116S30003		螺钉SM15/64°x28 L=14.5	Screw SM15/64°x28 L=14.5	Screw SM15/64°x28 L=14.5		1	

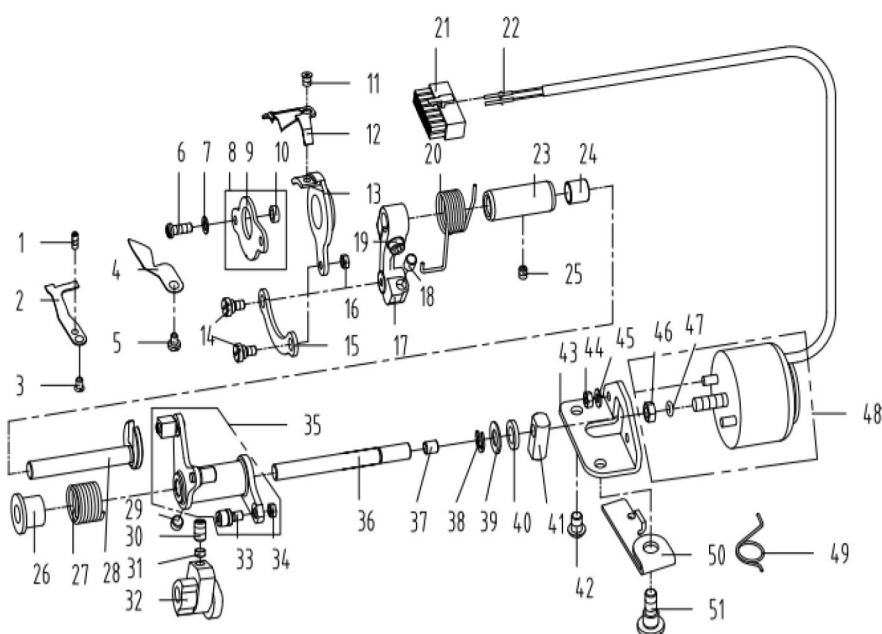
4. 压料、自动抬压脚分组件/Presser Bar & Auto Lifter Components (2)

34	W02004	弹性垫圈	Spring washer	1
35	113S12001	螺母M5	Nut M5	2
36	11381101800	调压螺钉组件	Presser regulating screw nut asm	1
37	1138NS30003	调压螺钉 (厚料)	Press regulating screw (H)	1
38	1138NS16005	调压螺母 (厚料)	Press regulating nut (H)	1
39	10102003	调压导杆	Press regulating guide bar	1
40	113827010	调压簧	Press regulating spring	1
	10127024	调压簧 (厚料)	Press regulating spring (H)	1
41	13809030	压杆导架	Presser bar guide bracket	1
42	101S15007	螺钉SM1/4"x40 L=8	Screw SM1/4"x40 L=8	1
43	10122112	压杆防油套	Pressure bar oil cover	1
44	10103012	压杆衬套	Presser bar bushing	1
45	113802009	压杆	Presser bar	1
46	101S11009	螺钉SM9/64"x40 L=10.5	Screw SM9/64"x40 L=10.5	1
47	1131600600	压脚组件	Presser foot asm	1
	1131600300	压脚组件 (厚料)	Presser foot asm (H)	1
48	11329020	挡圈 5	Snap ring	5



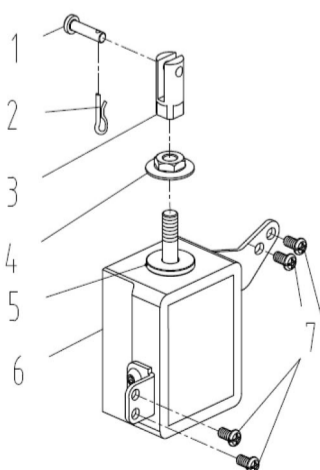
5. 送料分组件/Feed Mechanism Components

序号 NO	公司件号 Part NO	名称 PartName	零件描述 Description	数量 Number
1	11405015 11305015	倒送料连杆 Reverse feed connecting rod (-7)	Reverse feed connecting rod	1
2	11426021 11326011	倒送料连杆销 倒送料连杆销 (-7)	Connecting rod pin	1
3	101511005	螺钉SM9/64"x40 L=6	Screw SM9/64"x40 L=6	6
4	11401015	送料调节器	Feed regulator	1
5	11403043	送料调节器轴套	Feed regulator bushing	1
6	101511023	螺钉SM3/16"x28 L=6.5	Screw SM3/16"x28 L=6.5	1
7	13826005	标盘螺栓	Feed regulator stud	1
8	10122016	送料调节器O形圈	Rubber ring	1
9	13811008 13811050 13811013	固定表盘 固定表盘 (-7) 固定表盘 (厚料)	Fixing dial plate	1
10	H05018	GB/T896-1986挡圈3.5	Snap ring 3.5	1
11	13811009	标盘按钮	Dial plate button	1
12	13827002	按钮复位簧	Spring	1
13	13812010	上限位片	Upper limit patch	1
14	1381100700	标盘旋钮组件	Knob component	1
15	101511022	螺钉SM3/16"x28 L=18	Screw SM3/16"x28 L=18	1
16	10126011	送料曲柄销	Feed rocker crank pin	1
17	101520005	抬牙连杆轴位螺钉SM9/32"x28	hinge Screw SM9/32"x28	1
18	10104002 11304010	送料曲柄 送料曲柄 (-7)	Feed rocker shaft crank	1
19	101511016	螺钉SM3/16"x28 L=14	Screw SM3/16"x28 L=14	1
20	400093	抬牙连杆	Connecting rod	1
21	101511016	螺钉 SM3/16"x28 L=14	Screw SM3/16"x28 L=14	1
22	10104004 400091	抬牙后曲柄 送料连杆	Feed driving shaft crank	1
23	13805002 400083 114605001	送料连杆 (厚料) 送料连杆 (-7) 送料连杆 (A4M)	Rocker shaft connecting rod (H) Rocker shaft connecting rod (-7) Rocker shaft connecting rod (A4M)	1
24	10126006	送料连杆销	Connecting rod pin	1
25	101516003	抬牙连杆轴位螺母 SM9/32"x28	Hinge Screw SM9/32"x28	1
26	101511023	螺钉SM3/16"x28 L=6.5	Screw SM3/16"x28 L=6.5	1
27	13803021	倒送料轴后轴套	Reverse feed shaft bushing back	1
28	13822003	倒送料轴O形圈	Rubber ring	1
29	13802010	倒缝送料轴	Reverse feed shaft	1
30	13803020	倒送料轴中套	Reverse feed shaft bushing mid	1
31	13822056	倒送料轴中套油封	Mid bushing oil seal	1
32	13831055	倒缝扳手	Reverse feed lever	1
33	138510010	螺钉M5 L=8	Screw M5 L=8	1
34	101515002	螺钉SM1/4"x40 L=6	Screw SM1/4"x40 L=6	4
35	10108003	送料轴挡圈	Feed rocker shaft snap ring	2
36	10403015	轴套	Bushing	2
37	H03001	GB/T894.1-1986挡圈 15	Snap ring 15	2
38	10104003 10804003	抬牙叉形曲柄 抬牙叉形曲柄 (厚料、-7)	Driving shaft crank	1
39	101511020	螺钉SM11/64"x40 L=10.5	Screw SM11/64"x40 L=10.5	1
40	11414002 11414001 11314001	送料牙 送料牙 (-7) 送料牙 (厚料)	Feed dog	1
41	470060	牙架	Feed bar asm	1
42	101511016	螺钉SM3/16"x28 L=14	Screw SM3/16"x28 L=14	1
43	10128003	牙架座螺钉垫圈	Washer	1
44	101511025	螺钉SM11/64"x40 L=7	Screw SM11/64"x40 L=7	1
45	10401007	牙架销	Feed bar pin	1
46	480095	牙架座	Feed bar bed	1
47	101511018	螺钉SM1/8"x44 L=6	Screw SM1/8"x44 L=6	2
48	101515010	螺钉SM15/64"x28 L=10.5	Screw SM15/64"x28 L=10.5	1
49	10126009	送料摆动板座左销	Left pin	1
50	10126007	短摆动板连杆销	Connecting pin	2
51	10109005 13505024	送料短摆动板 送料短摆动板 (厚料)	Feed short shaking plate	2
52	10109004	送料长摆动板	Feed long shaking plate	2
53	1400100600	摆动板座分部件	Shaking plate bed components	1
54	10126010	送料摆动板座右销	Right pin	1
55	113514010	螺钉SM15/64"x28 L=12	Screw SM15/64"x28 L=12	1
56	11427011	送料调节弹簧	Spring	1
57	11329020	挡圈 5	Snap ring 5	2
58	13812081	拉簧固定板	Pull spring fixing plate	1
59	13827006 1140402700	倒送料拉簧 倒送料曲柄组件	Reverse feed pull spring	1
60	1130402800	倒送料曲柄组件 (-7)	Feed reverse crank asm (-7)	1
61	11321005	油管	Tube	1
62	114530007	螺钉SM11/64"x40 L=7.5	Screw SM11/64"x40 L=7.5	1
63	114516004	螺母SM11/64"x40	Nut SM11/64"x40	1
64	S01102	螺钉SM3/16"x28 L=18	Screw SM3/16"x28 L=18	1
65	10102008	送料轴	Feed rocker shaft	1
66	13802001	抬牙轴	Feed driving shaft	1
67	S10035	螺钉M5 L=8	Screw M5 L=8	1
68	11380700300	牙架组件 (成品)	Feed bar asm	1



6. 切线装置部件/Thread Trimmer Components

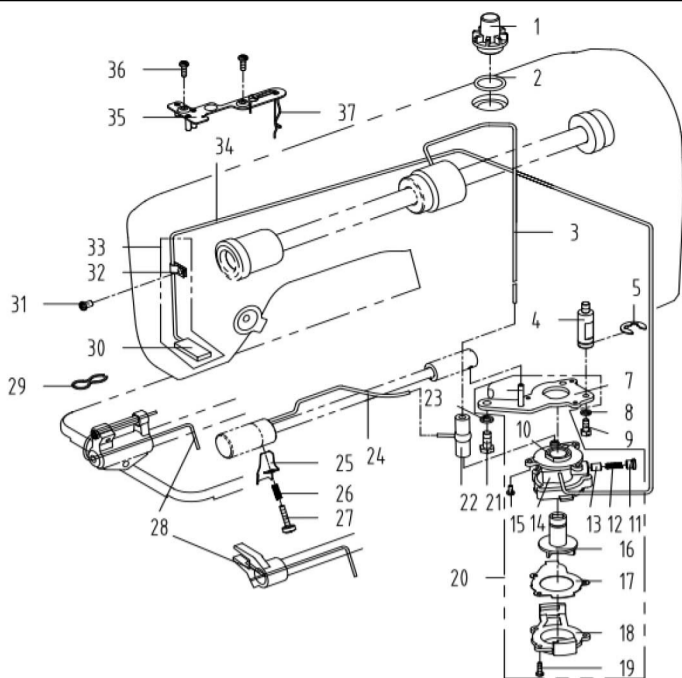
序号 NO	公司件号 Part NO	名称 PartName	零件描述 Description	数量 Number
1	113515002	螺钉SM1/8"x44 L=9.5	Screw SM1/8"x44 L=9.5	1
2	115019001	定刀	Secant knife	1
	113819005	定刀 (HL)	Secant knife (HL)	1
3	113517001	螺钉SM9/64"x40 L=6	Screw SM9/64"x40 L=6	1
4	11312003	护针片	Needle guard patch	1
	113812008	护针片 (HL)	Needle guard patch (HL)	1
5	201511009	螺钉SM9/64"x40 L=5.5	Screw SM9/64"x40 L=5.5	1
6	113511001	螺钉SM11/64"x40 L=12	Screw SM11/64"x40 L=12	2
7	10128003	牙架座螺钉垫圈	Washer	2
8	1381203100	刀架压板组件	Knife bracket press component	1
9	13812031	刀架压板	Knife bracket press	1
10	13803012	短套	Short bushing	2
11	113517002	螺钉SM11/64"x40 L=4.4	Screw SM11/64"x40 L=4.4	2
	11319002	活动刀	Motorial knife	1
12	11319003	活动刀 (厚料)	Motorial knife (H)	1
	113819003	活动刀 (HL)	Motorial knife (HL)	1
	11307001	剪刀刀架	Knife bracket	1
13	113807001	剪刀刀架 (HL)	Knife bracket (HL)	1
14	113520001	螺钉SM11/64"x40 L=6.5	Screw SM11/64"x40 L=6.5	2
15	11312005	连杆	Connecting rod	1
16	114516004	螺母SM11/64"x40	Nut SM11/64"x40	1
17	11304001	曲柄	Crank	1
18	113822014	驱动曲柄止动块	Crank driver stopper block	1
19	S05004	螺钉M5 L=14	Screw M5 L=14	1
20	11327001	弹簧	Spring	1
21	11230004	14孔接线器	Plug	1
22	11230005	电线插针	Pin	1
	11303003	切线轴套	Thread cutting shaft bushing	1
23	14103003	剪线轴套 (HL)	Thread cutting shaft bushing (HL)	1
24	11503005	驱动曲柄轴衬套	Crank drive shaft bushing	1
25	113514020	螺钉SM11/64"x40 L=6	Screw SM11/64"x40 L=6	1
26	11322002	扭簧端盖	Spring cover	1
27	11327002	弹簧	Spring	1
28	11304002	切线凸轮曲柄轴	Crank shaft	1
29	101514001	螺钉SM1/4"x40 L=6	Screw SM1/4"x40 L=6	1
30	116514005	螺钉SM1/4"x40 L=10	Screw SM1/4"x40 L=10	2
31	11309030	凸轮顶柱	Push rod	2
32	11310004	凸轮	Cam	1
	11310011	凸轮 (厚料)	Cam (H)	1
33	11324001	滚柱	Rolling pin	1
34	1138NS16007	螺母SM11/64"x40	Nut SM11/64"x40	1
35	1130400500	剪线驱动组件	Thread trimmer drive asm	1
36	11302002	轴	Shaft	1
37	11322001	驱动曲柄止动块	Positioning block	1
38	H05013	GB/T896-1986挡圈6	Snap ring 6	1
39	10112003	针杆曲柄护板	Counter weight protecting	1
40	11322003	电磁铁缓冲垫	Solenoid cushion rubber	1
41	11309001	切线电磁铁顶销	Solenoid pin	1
42	101511026	螺钉SM15/64"x28 L=9	Screw SM15/64"x28 L=9	1
43	11312006	切线磁铁支架	Solenoid bracket	1
44	N01005	螺母 M4	Nut M4	2
45	W02018	GB/T93-1987 弹簧垫圈4	Washer 4	2
46	112516006	螺母SM1/4"x40	Nut SM1/4"x40	1
47	113822005	垫圈	Washer	1
48	1383003300	剪线电磁铁组件	Thread trimmer solenoid asm.	1
49	11327003	弹簧	Spring	1
50	11312007	松线座	Thread release bed	1
51	113520002	螺钉SM1/4"x28 L=13	Screw SM1/4"x28 L=13	1



7. 自动抬压脚组件/Auto Lifter Components

序号 NO	公司件号 Part NO	名称 PartName	零件描述 Description	数量 Number
1	11326005	销子	Pin	1
2	113829001	R形弹性开口销φ1.5	Cotter pin	1
3	11326006	电磁铁接头	Solenoid connector	1
4	113516004	法兰螺母M8	Flange nuts M8	1
5	11322008	电磁铁上垫片	Washer	1
6	11383001300	电磁铁组件	Solenoid asm	1
7	101511001	后窗板螺钉SM3/16"x28 L=9	Screw SM3/16"x28 L=9	4

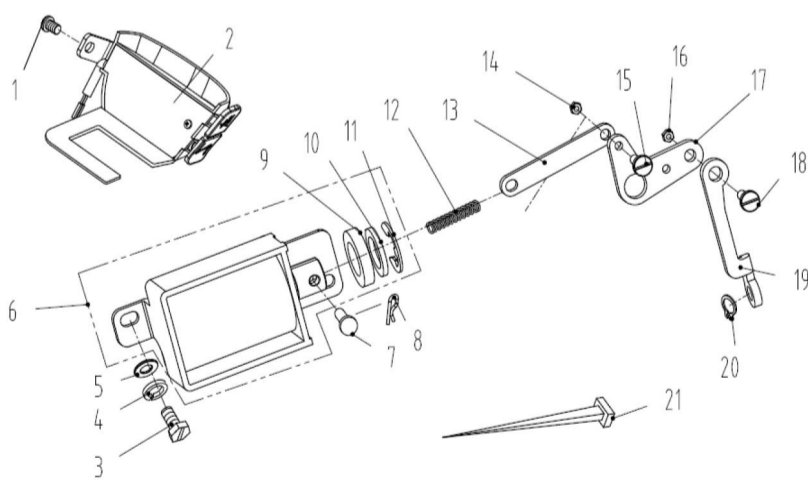
8



8. 润滑组件/Oil Lubrication Components

序号 NO	公司件号 Part NO	名称 PartName	零件描述 Description	数量 Number
1	11211004	油窗	Oil sight window	1
2	10122019	油窗O形圈	Rubber ring	1
3	14121001	上轴供油管	Main shaft oil tube	1
4	112530005	油泵连接螺柱	Oil pump connecting stud	1
5	11329010	开口挡圈10	Snap ring 10	1
6	10121001	供油管	Hook oil tube	1
7	10112020	油泵安装板	Oil pump installing base	1
8	W03002	弹垫	Spring washer	1
9	209512001	螺钉SM11/64*×40 L=10.5	Screw SM11/64*×40 L=10.5	1
10	10103022	油泵体衬套	Oil pump bushing	1
11	101530007	螺钉M7×0.75 L=5	Screw M7×0.75 L=5	1
12	10127013	柱塞簧	Plunger spring	1
13	10122018	回油柱塞	Plunger	1
14	10120001	油泵体	Oil pump	1
15	S04093	螺钉M3 L=6	Screw M3 L=6	3
16	10111003	油泵叶轮	Oil pump impeller	1
17	10112021	油泵叶轮托板	Oil pump impeller cover	1
18	10111007	油泵盖	Lubricating oil pump cover	1
19	101530006	螺钉ST2.9 L=10	Screw ST2.9 L=10	3
20	1012000100	油泵分部件	Lubricating oil pump component	1
21	116530003	螺钉SM15/64*×28 L=14.5	Screw SM15/64*×28 L=14.5	1
22	10136001	供油管接头	Rubber joint	1
23	W02004	GB/T93-1987弹垫M6	Spring Washer M6	1
24	13821015	旋接供油管	Hook driving shaft oil tube	1
	113821001	旋接供油管 (HL)	Hook driving shaft oil tube (HL)	1
25	11312031	挡油罩	Oil shield cover	1
26	13827014	油量调节螺钉弹簧	Spring	1
27	113530001	螺钉SM11/64*×40 L=19	Screw SM11/64*×40 L=19	1
28	10423005	油线	Oil wick	1
29	10127015	回油毡夹	Oil felt clamp	1
30	10123006	回油毡	Oil felt felt	1
31	101511004	螺钉SM3/16*×28 L=7	Screw SM3/16*×28 L=7	1
32	10112023	回油管夹	Oil tube clamp	1
33	11502100100	回油管部件	Oil return tube component	1
34	10121008	回油管	Oil return tube	1
35	10112025	油线固定板	Oil wick fixing plate	1
36	101511010	螺钉SM9/64*×40 L=11	Screw SM9/64*×40 L=11	2
37	10123010	油线	Oil wick	1

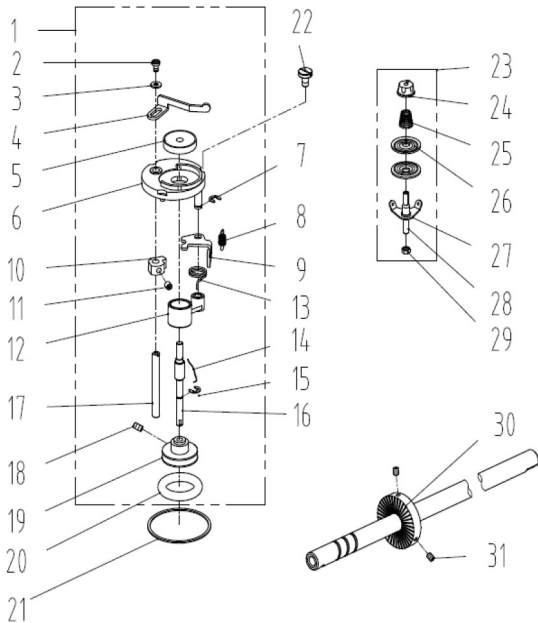
9



9. 自动倒送料开关组件/Automatic Reverse Feed Components

序号 NO	公司件号 Part NO	名称 PartName	零件描述 Description	数量 Number
1	101511004	螺钉SM3/16*×28 L=7	Screw SM3/16*×28 L=7	1
2	1383004700	双开关组件	Auto reverse feed switch asm	1
3	116530003	螺钉SM15/64*×28 L=14.5	Screw SM15/64*×28 L=14.5	2
4	W02004	GB/T93-1987弹垫M6	Spring washer M6	2
5	11628005	抬牙叉固定螺钉垫圈	Washer	2
6	1383003400	自动倒送料电磁铁	Auto reverse feed solenoid	1
	1383003500	自动倒送料电磁铁 (-7)	Auto reverse feed solenoid (-7)	1
7	11326005	销子	Pin	1
8	113829001	R形弹性开口销φ1.5	Cotter pin	1
9	11322040	橡胶垫片	Rubber plunger	1
10	11328031	垫片	Washer	1
11	H05014	GB/T896-1986开口挡圈12	Snap ring 12	1
12	11227006	自动倒送料连杆顶簧	Plunger spring	1
13	13812034	自动倒送料连杆	Auto reverse feed connecting rod	1
14	112516008	螺母SM11/64*×40	Nut SM11/64*×40	1
15	112520002	开槽圆柱头轴位螺钉SM11/64*×40	Hinge Screw SM11/64*×40	1
16	112516007	螺母SM1/4*×28	Nut SM1/4*×28	1
17	11204003	自动倒送料曲柄	Auto reverse feed crank	1
18	112520001	开槽圆柱头轴位螺钉SM1/4*×28	Hinge Screw SM1/4*×28	1
19	114112024	自动倒送料拉杆	Auto reverse feed pull shaft	1
20	14029003	轴用弹性挡圈7	External Circlips 7	1
21	113811004	尼龙扎带	Cable band	6

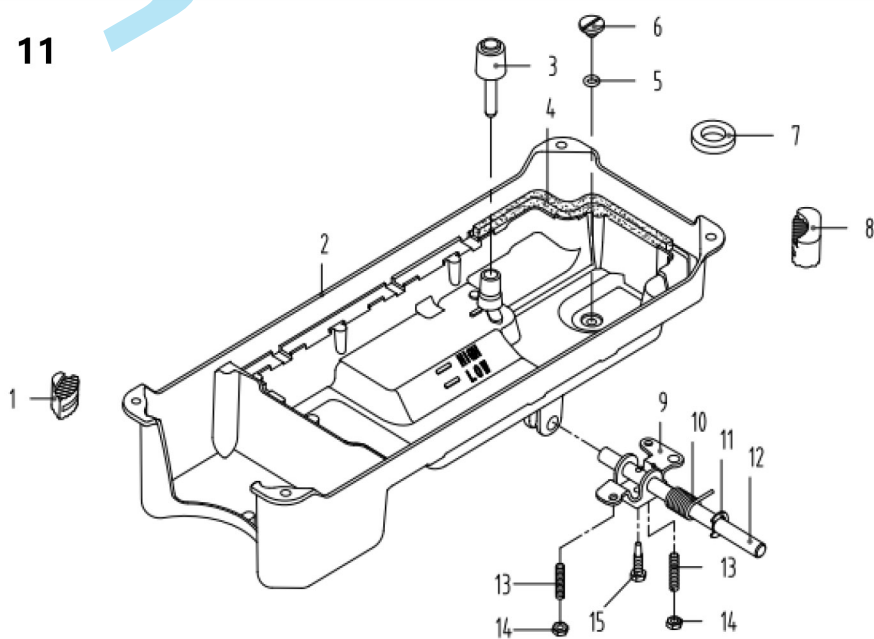
10



10. 绕线器组件/ Bobbin Components

序号 NO	公司件号 Part NO	名称 PartName	零件描述 Description	数量 Number
1	1383103900	绕线器组件	Bobbin winder asm	1
2	114S11008	螺钉M4 L=6	Screw M4 L=6	1
3	W01142	垫圈4	Washer 4	1
4	10113030	压线控制板	Thread press control plate	1
5	10111120	绕线衬垫	Winding pad	1
6	13831101	绕线器装置主座	Bobbin winder bed	1
7	H05006	开口挡圈5	Snap ring 5	1
8	10127061	复位板拉簧	Spring	1
9	13812110	调节板	Regulating plate	1
10	10110030	绕线凸轮	Bobbin winder cam	1
11	S09045	螺钉M5 L=5	Screw M5 L=5	1
12	1380510600	绕线器连杆组件	Bobbin winder connecting rod	1
13	13827103	满线复位簧	spring	1
14	10127060	弹簧	Spring	1
15	H05909	开口挡圈4	Snap ring 4	1
16	13802111	绕线器主轴	Bobbin winder main shaft	1
17	13802026	绕线凸轮轴	Bobbin winder cam shaft	1
18	S09103	螺钉M4 L=4	Screw M4 L=4	2
19	13831102	绕线轮	Bobbin winder wheel	1
20	O01110	O型圈	Ring	1
21	11422062	密封垫	Washer	1
22	114511003	螺钉SM3/16"×28 L=10	Screw SM3/16"×28 L=10	3
23	1411300600	底线夹线器	Bobbin thread tension asm	1
24	141S16019	夹线螺母	Thread tension nut	1
25	11427006	小夹线弹簧	Thread tension Spring	1
26	14112015	夹线板	Thread tension disk	2
27	11413022	夹线过线板	Thread tension guide plate	1
28	112S13004	夹线螺钉	Thread tension Screw	1
29	114S16001	螺母SM11/64"×40	Nut SM11/64"×40	1
30	11435013	绕线器驱动轮	Driving wheel	1
31	S10009	螺钉M6 L=8	Screw M6 L=8	2

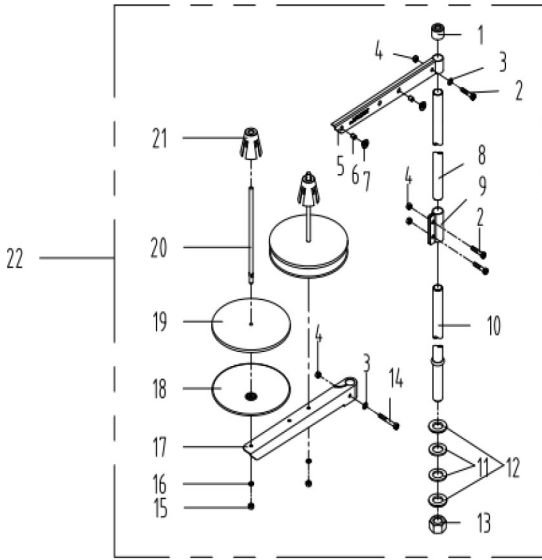
11



11. 油盘、膝抬压脚分组件/Oil Reservoir & Knee Lifter Components

序号 NO	公司件号 Part NO	名称 PartName	零件描述 Description	数量 Number
1	10122022	油盘座垫	Oil reservoir rubber cushion	2
2	13801020	油盘	Oil Reservoir	1
3	10111005	抬压脚顶杆	Knee lifter push rod	1
4	10122020	油盘垫	Oil Reservoir gasket	1
5	10122021	O型圈	Rubber ring	1
6	101S11028	螺钉SM5/16"×24 L=7	Screw SM5/16"×24 L=7	1
7	10131001	油盘磁铁	Oil reservoir magnet	1
8	10122023	油盘支架	Oil reservoir rubber cushion	2
9	10112027	抬压脚双向曲柄	Knee lifter crank	1
10	10127016	双向曲柄扭簧	Knee lifter spring	1
11	H05010	GB/T896-1986挡圈10	Snap ring 10	1
12	10102011	抬压脚轴	Knee lifter shaft	1
13	101S15012	螺钉M6 L=30	Screw M6 L=30	2
14	101S16004	螺母M6 L=4	Nut M6 L=4	2
15	101S12002	螺钉M6 L=24.5	Screw M6 L=24.5	1

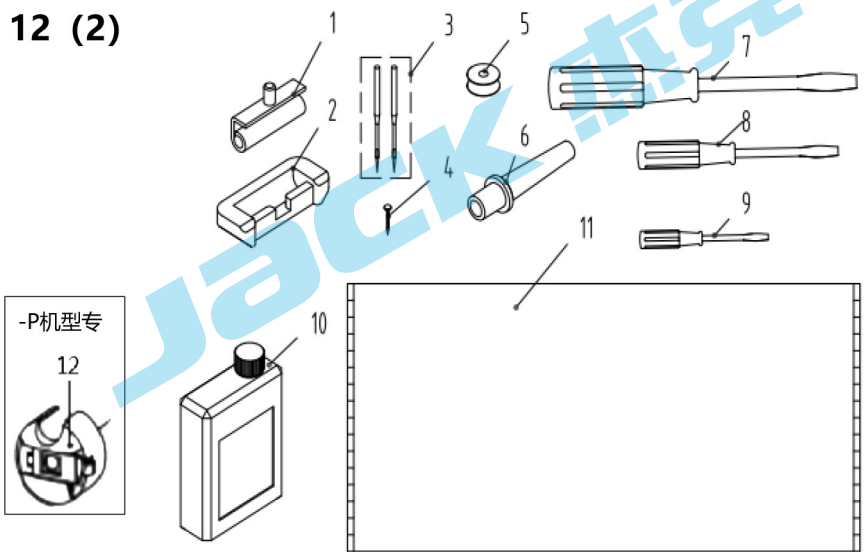
12 (1)



12. 机头附件 (1) -线架组件/Machine Head Accessories (1)-Thread Stand Components

序号 NO	公司件号	Part NO	名称	PartName	零件描述	Description	数量	Number
1	20131019		线架杆顶防护橡皮		Spool rest rod rubber cap		1	
2	S04050		螺栓M5 L=16		Screw M5 L=16		3	
3	W01047		垫圈M5		Washer M5		2	
4	N01034		螺母M5		Nut M5		4	
5	13831022		上线架过线杆		Spool rest arm upper		1	
6	10113011		过线圈 (内)		Thread guide ring		2	
7	10113010		过线圈 (外)		Thread guide ring		2	
8	13831019		线架杆上节		Spool rest rod upper		1	
9	13831021		线架杆接头		Spool rest rod joint		1	
10	13831020		线架杆下节		Spool rest rod lower		1	
11	10122106		橡胶垫圈		Spool rest rod rubber ring		2	
12	W01052		垫圈M16		Washer M16		2	
13	N02008		螺母M16		Nut M16		1	
14	S04051		螺栓M5 L=31.5		Screw M5 L=31.5		1	
15	N01034		螺母M5		Nut M5		2	
16	W03002		弹簧垫圈5		Spring washer 5		2	
17	13831023		下线架过线杆		Spool rest arm lower		1	
18	13831024		线盘		Spool rest		2	
19	20131010		线盘垫		Spool rest cushion		2	
20	20131006		线盘钉		Spool pin		2	
21	13831025		线团防松垫		Spool retainer		2	
22	1383100300		线架组件		Thread stand asm		1	

12 (2)



12. 机头附件 (2) /Machine Head Accessories (2)

序号 NO	公司件号	Part NO	名称	PartName	零件描述	Description	数量	Number
1	1011203100		机头连接钩部件		Hinge component		2	
2	10122060		机头连接钩座		Head connecting rubber cushion		2	
3	10117001		机针DB×1#14		NeedleDB×1#14		4	
3	10117002		机针DP×5#21 (厚料)		NeedleDP×5#21 (H)		4	
4	101530010		机头连接钩座钉 (P19)		Shoe spike (p19)		6	
5	10118003		梭心		Bobbin		2	
5	10818501		大梭心 (-L机型)		Big Bobbin (-L series)		2	
5	13818002		梭心 (-P机型)		Big Bobbin (-P series)		10	
6	115011003		机头支柱		Machine head rest pin		1	
7	20731047		螺丝刀 (大)		Screw driver (big)		1	
8	10131003		螺丝刀 (中)		Screw driver (mediu)		1	
9	10131004		螺丝刀 (小)		Screw driver (small)		1	
10	1381101200		油箱部件		Oiler component		1	
11	114131001		防尘罩		Dust cover		1	
12	13818003		梭壳 (-P机型)		Bobbin case asm (-P series)		1	

杰克缝纫机股份有限公司

杰克缝纫机
全球销量遥遥领先

公司地址(Address of Company) :

中国浙江省台州市椒江区三甲东海大道东段1008号

NO.1008 , DONGHAI AVENUE EAST, JIAOJIANG DISTRICT,TAIZHOU CITY , ZHEJIANG

邮编(Zip Code) : 318000

国内销售部(Domestic Trade Department):

电话(TEL): 0086-0576-88177788 88177789

传真(FAX): 0086-0576-88177758

国贸销售部(International Trade Department):

电话(TEL): 0086-0576-88177782 88177774

传真(FAX): 0086-0576-88177787

服务热线: 400-8876858

http://www.chinajack.com

资料如有更改, 恕不另行通知, 以实物为准。

You will be not informed if the file has been revised.Please set sample as standard.

日期: 2020.12



请您扫下杰克服务号