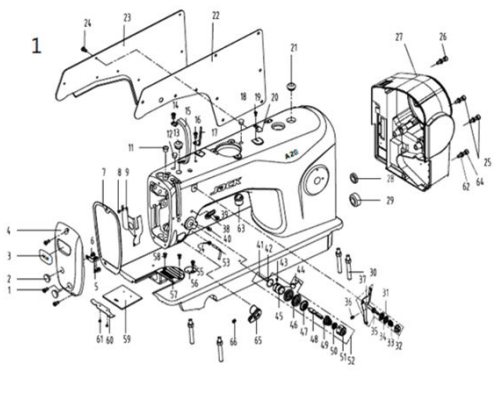




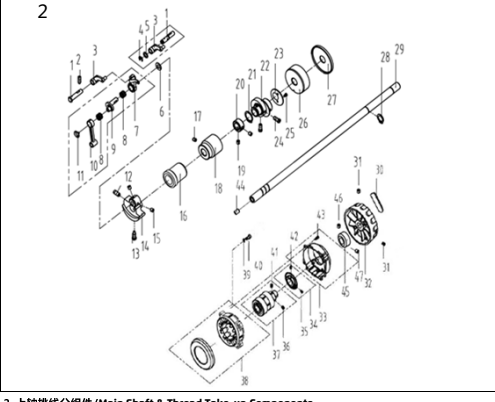
快速服务 100%

A2S系列 A2S Series



1. 机壳、外罩组件/Machine Frame & Miscellaneous Cover Components

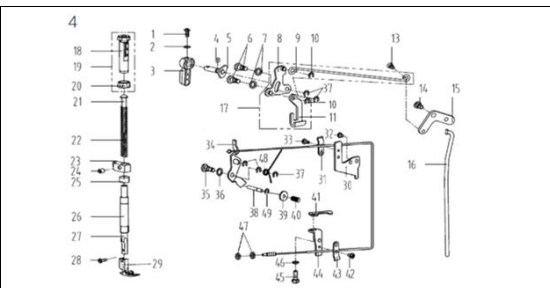
Table with 5 columns: 序号NO. (Serial No.), 公司件号 (Part No.), 名称 (Name), 零件描述 (Description), 数量 (Quantity), Number. Lists various frame and cover components.



2. 上轴排线分组件/Main Shaft & Thread Take-up Components

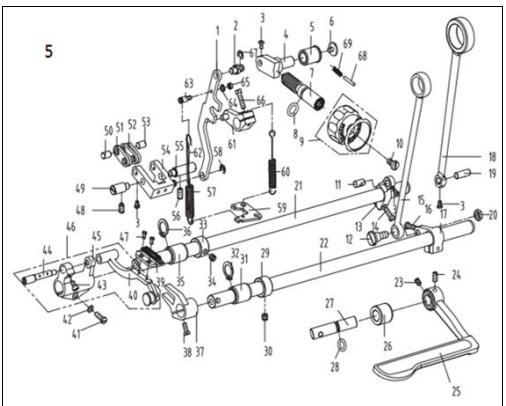
Table with 5 columns: 序号NO. (Serial No.), 公司件号 (Part No.), 名称 (Name), 零件描述 (Description), 数量 (Quantity), Number. Lists main shaft and thread take-up components.

零件手册
Parts Manual



4. 送料、自动抬脚分组件/Presser Bar . Auto Lifter Components

Table with 5 columns: 序号NO. (Serial No.), 公司件号 (Part No.), 名称 (Name), 零件描述 (Description), 数量 (Quantity), Number. Lists feed bar and auto lifter components.



5. 送料分组件/Feed Mechanism Components

Table with 5 columns: 序号NO. (Serial No.), 公司件号 (Part No.), 名称 (Name), 零件描述 (Description), 数量 (Quantity), Number. Lists feed mechanism components.

3. 针杆、压脚、下轴部件/Needle bar,Upright Shaft & Hook Driving Shaft Components

Table with 5 columns: 序号NO. (Serial No.), 公司件号 (Part No.), 名称 (Name), 零件描述 (Description), 数量 (Quantity), Number. Lists needle bar, upright shaft, and hook driving shaft components.

