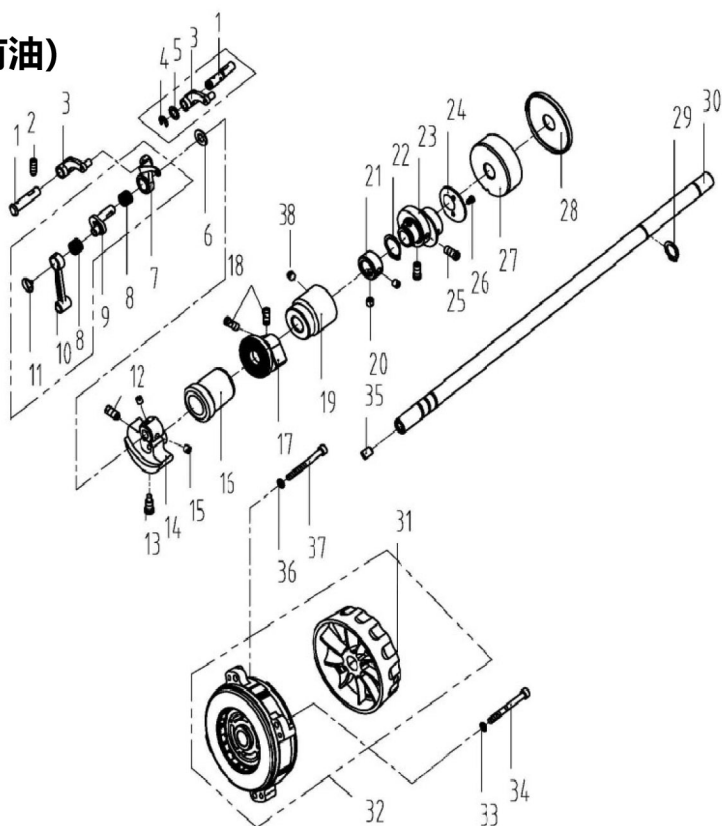


1. 机壳、外装分组件/Machine Frame & Miscellaneous Cover Components

序号 NO	公司件号 Part NO	名称 PartName	零件描述 Description	数量 Number
1	101S11001	螺钉SM3/16"×28 L=9	Screw SM3/16"×28 L=9	3
2	10122003	面板调节孔螺塞	Rubber plug	2
3	13837002	商标牌	Head card	1
4	10112071	面板	Face plate	1
5	13813005	左线钩	Thread guide left	1
6	101S11007	螺钉SM11/64"×40 L=6	Screw SM11/64"×40 L=6	1
7	10122114	面板垫	Face plate gasket	1
8	101S11027	螺钉SM1/8"×44 L=3.4 (有油)	Screw SM1/8"×44 L=3.4 (Oil Head)	1
9	11412082	面部防油板 (有油)	Face oil shield asm (Oil Head)	1
10	10123002	针杆上毡塞 (有油)	Rubber plug (Oil Head)	1
11	10122013	针杆上衬套孔塞	Rubber plug	1
12	10122005	挑线连杆销螺塞	Rubber plug	1
13	10122004	针杆曲柄螺塞	Rubber plug	1
14	101S11004	螺钉SM3/16"×28 L=7	Screw SM3/16"×28 L=7	1
15	13812018	挑线杆防护罩	Thread take-up lever cover	1
16	101S11004	螺钉SM3/16"×28 L=7	Screw SM3/16"×28 L=7	1
17	13512004	三孔线勾	Three-hole thread guide	1
18	10122005	挑线连杆销螺塞	Rubber plug	1
19	114511015	螺钉SM9/64"×40 L=6	Screw SM9/64"×40 L=6	2
20	11419001	割线刀	Knife	1
21	20722002	油塞	Rubber plug	1
22	10122113	后窗板垫	Side plate gasket	1
23	10112070	后窗板	Side plate	1
24	101S11001	螺钉SM3/16"×28 L=9	Screw SM3/16"×28 L=9	11
25	1013001900	LED灯开关组件	LED asm	1
26	101S11001	螺钉SM3/16"×28 L=9	Screw SM3/16"×28 L=9	1
27	10113051	电线压板	Cord hold	1
28	114513001	螺钉M5 L=20	Screw M5 L=20	1
29	W01009	GB/T97.1-1985垫圈5	Washer 5	4
30	11283300800	平缝一体机控制器	Electronic control box	1
31	114530001	螺栓M5 L=25	Screw M5 L=25	3
32	10122006	送料调节器孔塞	Rubber plug	1
33	10122007	下轴工艺孔塞	Rubber plug	1
34	10113004	右线勾	Thread guide right	1
35	101S11007	螺钉SM11/64"×40 L=6	Screw SM11/64"×40 L=6	1
36	101S15010	螺钉SM15/64"×28 L=10.5	Screw SM15/64"×28 L=10.5	1
37	401S16001	螺母SM9/64"×40	Nut SM9/64"×40	1
38	11413011	固定式缓线勾	Thread guide	1
39	10126030	松线钉	Tension release pin	1
40	10122014	挑线簧调节座O型圈	Rubber ring	1
41	101S15005	螺钉SM9/64"×40 L=5.5	Screw SM9/64"×40 L=5.5	1
42	10127001	挑线簧	Thread take-up spring	1
43	10103011	挑线簧调节座	Thread tension base	1
44	10112005	夹线板	Thread tension disk	2
45	10112006	松线板	Disk stopper	1
46	101S30002	夹线螺钉	Thread tension post	1
47	10127002	夹线弹簧	Thread tension spring A	1
48	10112007	夹线制动板	Thread disk rotating stopper	1
49	138S16013	夹线螺母	Thread tension nut	1
50	1381300500	夹线器组件	Thread tension asm	1
51	W06001	双面齿垫圈	Electronic control box	1
52	206S11002	螺钉SM9/64"×40 L=10	Screw SM9/64"×40 L=10	1
53	10113041	二眼线勾	2-hole thread guide	1
54	101S12001	底板支柱	Machine head stud	4
55	101S11019	螺钉SM3/32"×56 L=2	Screw SM3/32"×56 L=2	2
56	10115002	推板	Slide plate	1
57	10127009	推板簧	Slide plate spring	1
58	104S17002	螺钉SM11/64"×40 L=6.5	Screw SM11/64"×40 L=6.5	2
59	12815001	针板 (1/8")	Throat plate (1/8")	1
60	12815002	针板 (1/4")	Throat plate (1/4")	1
61	104S17002	螺钉SM11/64"×40 L=6.5	Screw SM11/64"×40 L=6.5	2
62	401S11040	螺钉SM9/64"×40 L=5	Screw SM9/64"×40 L=5	2
63	12812002	碎布屑导向U	Waste material U	1
64	12815004	辅助针板	Throat plate	1
65	12812009	碎布屑盖	Waste material cover	1
66	12812003	碎布屑导向	Waste material	1
67	101S11019	螺钉SM3/32"×56 L=2	Screw SM3/32"×56 L=2	2
68	/	切包一体专用部件 (-T机型专用零件)	Special parts of -T series	/
69	12815014	针板 (3/16")	Throat plate (3/16")	1
70	104S17002	螺钉SM11/64"×40 L=6.5	Screw SM11/64"×40 L=6.5	2
71	12815012	辅助针板 I	Auxiliary needle plate I	1
72	114511015	螺钉SM9/64"×40 L=6	Screw SM9/64"×40 L=6	2
73	12811004	落料斗	Drop hopper	1
74	12812034	包边器	Binding	1
75	12815013	辅助针板 II	Auxiliary needle plate II	1
76	12809004	包边器支架	Hemming support	1
77	12809005	包边器支架垫片	Shim	1
78	S01001	螺钉M4 L=7	Screw M4 L=7	2
79	S01001	螺钉M4 L=7	Screw M4 L=7	2
80	104S17002	螺钉SM11/64"×40 L=6.5	Screw SM11/64"×40 L=6.5	2
81	104S17002	螺钉SM11/64"×40 L=6.5	Screw SM11/64"×40 L=6.5	2

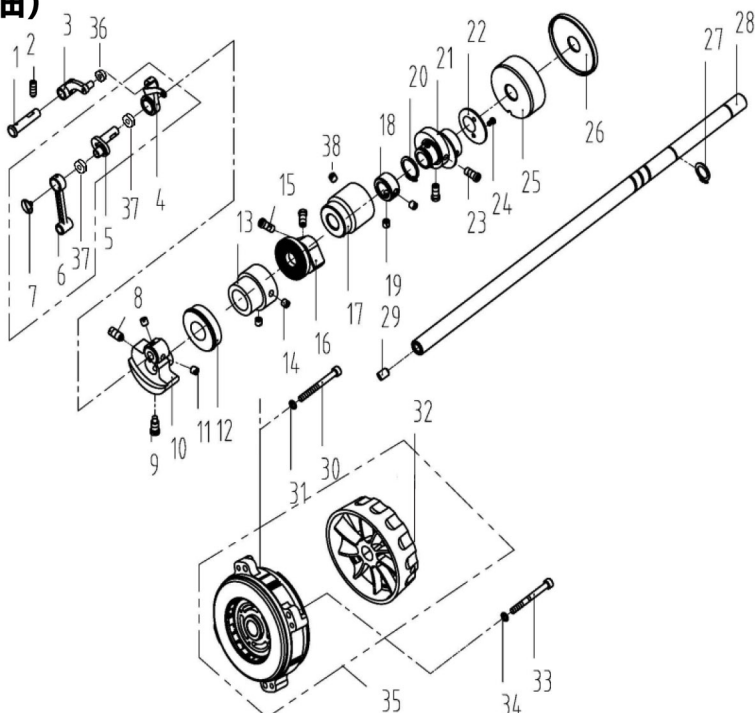
2 (有油)



2. 上轴挑线分组件 (有油) /Main Shaft & Thread Take-up Components (Oil Head)

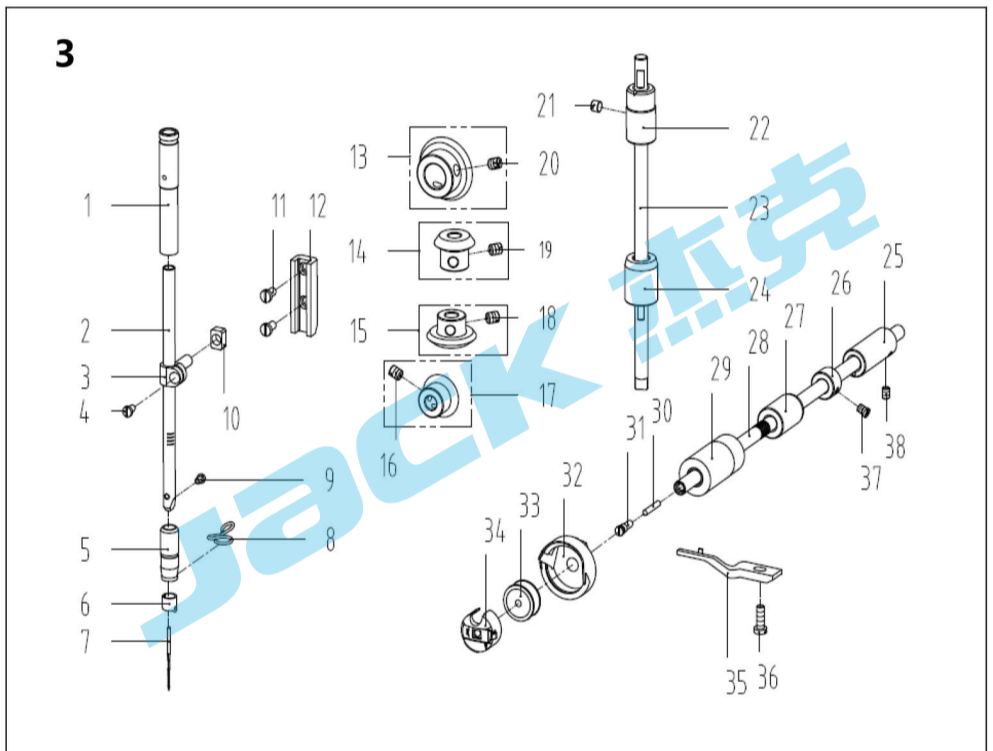
序号 NO	公司件号 Part NO	名称 PartName	零件描述 Description	数量 Number
1	11326013	挑线连杆销	Thread take-up connecting rod pin	1
2	101S15001	螺钉SM15/64"x28 L=15	Screw SM15/64"x28 L=15	1
3	11305010	挑线连杆	Thread take-up connecting rod	1
4	H05013	GB/T896-1986挡圈6	Snap ring 6	1
5	11328010	垫片	washer	1
6	10112003	针杆曲柄护板	Needle bar crank protecting plate	1
7	1013800100	挑线杆分组件	Thread take-up lever asm.	1
8	10124001	挑线杆滚针轴承	Needle bearing	2
9	11310012	挑线曲柄分部件	Thread take-up crank	1
10	10105002	针杆连杆	Needle bar connecting rod	1
11	101S17001	螺钉SM9/64"x40 (左旋) L=4.8	Screw SM9/64"x40 (left hand) L=4.8	1
12	101S15004	螺钉SM9/32"x28 L=16	Screw SM9/32"x28 L=16	1
13	101S11003	螺钉SM9/32"x28 L=16	Screw SM9/32"x28 L=16	1
14	12804001	针杆曲柄	Needle bar crank	1
15	101S15002	螺钉SM1/4"x40 L=6	Screw SM1/4"x40 L=6	1
16	1280300500	上轴前轴套组件	Main shaft bushing front	1
17	12801005	切刀连杆平衡锤	Balance	1
18	402S11012	螺钉SM15/64"x28 L=9	Screw SM15/64"x28 L=9	2
19	12203002	主轴中轴套	Main shaft bushing mid	1
20	101S14001	螺钉SM1/4"x40 L=6	Screw SM1/4"x40 L=6	2
21	10108001	上轴挡圈	Main shaft thrust collar	1
22	H03002	挡圈20	Snap ring 20	1
23	11310014	送料偏心轮	Feed eccentric cam	1
24	10112017	送料偏心轮盖板	Cover plate	1
25	101S11013	螺钉SM1/4"x40 L=13	Screw SM1/4"x40 L=13	2
26	113S11003	螺钉SM9/64"x40 L=5	Screw SM9/64"x40 L=5	2
27	12803014	上轴后轴套	Main shaft bushing, rear	1
28	10122008	上轴油封	Main shaft	1
29	H03001	GB/T894.1-1986挡圈15	Snap ring 15	1
30	12802030	上轴	Main shaft Handwheel	1
31	303560	手轮	Handwheel	1
32	10133045	平缝一体机电机	Motor	1
33	W03002	弹垫5	Spring washer 5	3
34	114S13001	螺钉M5 L=20	Screw M5 L=20	3
35	10122012	上轴孔塞	Rubber plug	1
36	W03002	弹垫5	Spring washer 5	1
37	S05218	螺钉M5 L=22	Screw M5 L=22	1
38	101S15006	螺钉SM15/64"x28 L=7	Screw SM15/64"x28 L=7	1

2 (无油)



2. 上轴挑线分组件 (无油) /Main Shaft & Thread Take-up Components (Dry Head)

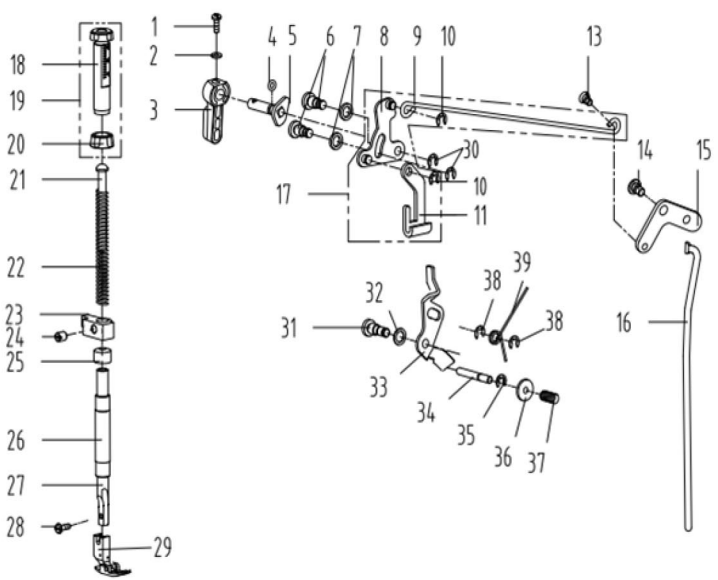
序号 NO	公司件号 Part NO	名称 PartName	零件描述 Description	数量 Number
1	12226001	挑线连杆销	Thread take-up connecting rod pin	1
2	101S15001	螺钉SM15x64*x28 L=15	Screw SM15x64*x28 L=15	1
3	12205001	挑线连杆	Needle bar crank rod	1
4	1223800100	挑线杆分组件	Thread take-up lever asm	1
5	13810012	挑线曲柄	Thread take-up crank	1
6	12205002	针杆连杆组件	Needle bar cradle rod	1
7	101S17001	螺钉SM9/64*x40 L=6	Screw SM9/64*x40 L=6	1
8	101S15004	螺钉SM9/32*x28 L=16	Screw SM9/32*x28 L=16	1
9	101S11003	螺钉SM9/32*x28 L=16	Screw SM9/32*x28 L=16	1
10	12804001	针杆曲柄	Needle bar crank	1
11	101S15002	螺钉SM1/4*x40 L=6	Screw SM1/4*x40 L=6	2
12	B10003	轴承	bearing	1
13	1220300100	上轴前套	Main shaft front bushing	1
14	S10009	螺钉M6 L=8	Screw M6 L=8	2
15	402S11012	螺钉SM15/64*X28 L=9	Screw SM15/64*X28 L=	2
16	12801005	切刀连杆平衡锤	Balance	1
17	12203002	主轴中轴套	Main shaft bushing mid	1
18	10108001	上轴挡圈	Main shaft thrust collar	1
19	101S14001	螺钉SM1/4*x40 L=6	Screw SM1/4*x40 L=6	2
20	H03002	挡圈20	Snap ring 20	1
21	40092	送料偏心轮	Feed eccentric cam	1
22	10112017	送料偏心轮盖板	Cover plate	1
23	101S11013	螺钉SM1/4*x40 L=13	Screw SM1/4*x40 L=13	2
24	101S11005	螺钉SM9/64*x40 L=5	Screw SM9/64*x40 L=5	2
25	12803014	上轴后轴套	Main shaft bushing, rear	1
26	10122008	上轴油封	Main shaft	1
27	H03001	GB/T894.1-1986挡圈15	Snap ring 15	1
28	12802029	上轴	Main shaft Handwheel	1
29	10122012	上轴孔塞	Rubber plug	1
30	S05218	螺钉M5 L=22	Screw M5 L=22	1
31	GB/T93-1987	弹垫5	Spring washer 5	1
32	303560	手轮	Handwheel	1
33	114S13001	螺钉M5 L=20	Screw M5 L=20	3
34	GB/T93-1987	弹垫5	Spring washer 5	3
35	10133045	平缝一体机电机	Motor	1
36	B04020	GB/T 276深沟球轴承695ZZ	bearing	1
37	B04008	GB/278轴承698ZZ	bearing	2
38	101S15006	螺钉SM15/64*x28 L=7	Screw SM15/64*x28 L=7	1



3. 针杆、竖轴、下轴部件/Needle bar & Upright Shaft & Hook Driving Shaft Components

序号 NO	公司件号 Part NO	名称 PartName	零件描述 Description	数量 Number
1	10103009	针杆上衬套	Needle bar bushing upper	1
2	12802009	针杆 (有油)	Needle bar (Oil Head)	1
	12802008	针杆 (无油)	Needle bar (Dry Head)	1
3	10138002	针杆连接柱	Needle bar connecting rod	1
4	101S11005	螺钉SM9/64*x40 L=6	Screw SM9/64*x40 L=6	1
5	10103010	针杆下衬套	Needle bar bushing lower	1
6	12813002	针杆线勾	Needle bar thread guide	1
7	10117001	机针DBx1#14	Needle DBx1#14	1
8	10113009	针杆下衬套线勾	Lower bushing thread guide	1
9	104S11006	螺钉SM1/8*x44 L=4.5	Screw SM1/8*x44 L=4.5	1
10	10109001	针杆连接柱滑块	Slide block	1
11	101S11008	螺钉SM11/64*x40 L=8	Screw SM11/64*x40 L=8	2
12	10109002	针杆接头滑块导轨	Needle bar guide	1
13	10425004	上轴伞齿轮	Upper shaft bevel gear	1
14	10425003	竖轴上伞齿轮	Upper small bevel gear asm	1
15	10425002	竖轴下伞齿轮	lower large bevel gear asm	1
16	101S15007	螺钉SM1/4*x40 L=7	Screw SM1/4*x40 L=7	2
17	10425001	下轴伞齿轮	Hook drive shaft bevel gear	1
18	101S15007	螺钉SM1/4*x40 L=7	Screw SM1/4*x40 L=7	2
19	101S15007	螺钉SM1/4*x40 L=7	Screw SM1/4*x40 L=7	2
20	101S15007	螺钉SM1/4*x40 L=7	Screw SM1/4*x40 L=7	2
21	101S15006	螺钉SM15/64*x28 L=4.7	Screw SM15/64*x28 L=4.7	1
22	10403014	竖轴上轴套	Upright shaft bushing upper	1
23	10102007	竖轴	Upright shaft	1
24	10403013	竖轴下轴套	Upright shaft bushing lower	1
25	10403012	下轴后轴套	Hook driving shaft bushing back	1
26	10108002	下轴挡圈	Hook driving shaft snap ring	1
27	10122015	下轴油封	Thrust collar	1
28	10102006	下轴	Hook driving shaft	1
29	10103078	下轴前轴套	Hook driving shaft bushing front	1
	11303001	下轴前轴套 (-T专用)	Hook driving shaft bushing front (-T)	1
30	10123009	下轴限油芯	Oil wick	1
31	101S30005	下轴限油螺钉SM3/16*x32	Set screw SM3/16*x32	1
32	10118001	旋梭 (有油)	Hook asm (Oil Head)	1
	10118504	旋梭 (无油)	Hook asm (Dry Head)	1
33	10118003	梭心	Bobbin	1
34	10118501	梭壳	Bobbin case asm.	1
35	10112016	旋梭定位钩	Finger postioner	1
36	101S11011	螺钉SM11/64*x40 L=9.5	Screw SM11/64*x40 L=9.5	1
37	101S11012	螺钉SM11/64*x40 L=4.8	Screw SM11/64*x40 L=4.8	2
38	101S15006	螺钉SM11/64*x40 L=7	Screw SM11/64*x40 L=7	1

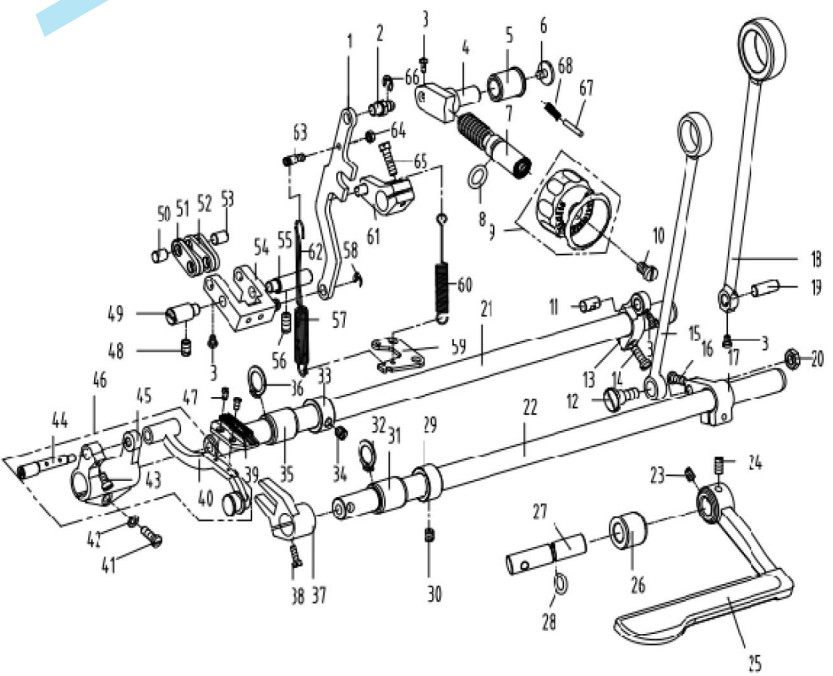
4



4. 压料分组件/Presser Bar Components

序号 NO	公司件号 Part NO	名称 PartName	零件描述 Description	数量 Number
1	101S11010	螺钉SM9/64"x40 L=11	Screw SM9/64"x40 L=11	1
2	10128002	压脚扳手螺钉垫圈	Washer	1
3	13811029	压脚扳手	Hand lifter	1
4	O01004	O型圈	Rubber ring	1
5	1011000200	压脚扳手凸轮分部件	Hand lifter cam asm.	1
6	101S20001	前杠杆螺纹销	Screw	2
7	10128015	螺纹销橡胶垫圈	Washer	2
8	1011200100	抬压脚前杠杆分部件	Lift front lever component	1
9	10112013	抬压脚拉杆	Knee lifter pull rod	1
10	H05003	GB/T896-1986挡圈 5	Snap ring 5	2
11	10112010	压脚升降板	Lifting plate	1
13	101S20004	抬压脚拉杆螺钉SM3/16"x32	Hinge Screw SM3/16"x32	1
14	101S20003	后杠杆轴位螺钉SM15/64"x28	Hinge screw SM15/64"x28	1
15	10112014	抬压脚后杠杆	Knee lifter back lever	1
16	10112015	抬压脚顶杆	Knee lifter connecting rod	1
17	1011200100	抬压脚前杠杆组件	Knee lifter lever asm	1
18	113811018	调压螺钉	Press regulating screw	1
19	11381101800	调压螺钉组件	Presser regulating screw nut asm	1
20	13811028	调压螺母	Press regulating nut	1
21	10102003	调压导杆	Press regulating guide bar	1
22	113827010	调压簧	Press regulating spring	1
23	13809030	压杆导架	Presser bar guide bracket	1
24	101S15007	螺钉SM1/4"x40 L=8	Screw SM1/4"x40 L=8	1
25	10122112	压杆防油套	Pressure bar oil cover	1
26	10103012	压杆衬套	Presser bar bushing,lower	1
27	12802002	压杆	Presser bar	1
28	101S11009	螺钉SM9/64"x40 L=10.5	Screw SM9/64"x40 L=10.5	1
29	1281600200	活压脚组件 (1/8)	Presser foot asm (1/8)	1
29	1281600300	活压脚组件 (3/16)	Presser foot asm (3/16)	1
29	1281600500	活压脚组件 (3/16) (-T专用)	Presser foot asm (3/16) (-T dedicated)	1
30	11329020	挡圈 5	Snap ring 5	5
31	101S20002	松线顶板螺纹销	Screw	1
32	10128015	螺纹销橡胶垫圈	Washer	1
33	112812008	松线顶板	Wire release plate asm	1
34	10126003	松线辅钉	Thread release supporting pin	1
35	H05012	松线辅钉挡圈	Snap ring	1
36	10128001	松线辅钉垫片	Washer plate	1
37	10127003	松线辅钉弹簧	Spring	1
38	11329020	挡圈 5	Snap ring 5	2
39	10127008	松线顶板复位簧	Reset spring	1

5

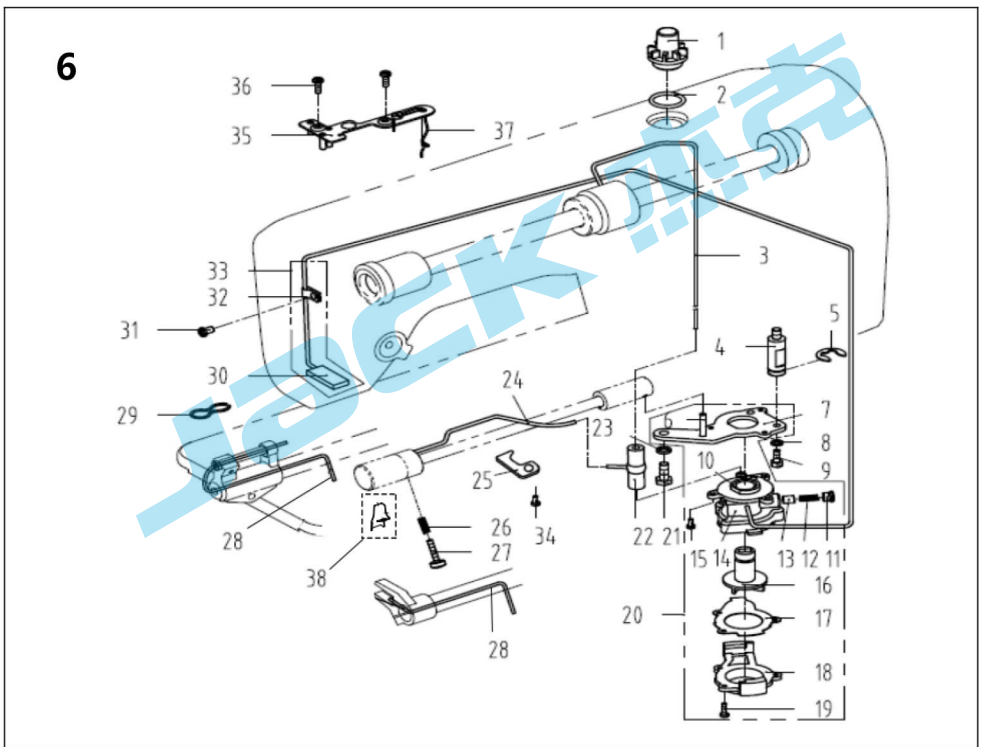


5. 送料分组件/Feed Mechanism Components

序号NO	公司件号 Part NO	名称 PartName	零件描述 Description	数量 Number
1	10105007	倒送料连杆	Reverse feed connecting rod	1
2	11426021	倒送料连杆销	Connecting rod pin	1
3	101S11005	螺钉SM9/64"x40 L=6	Screw SM9/64"x40 L=6	6
4	10101053	送料调节器	Feed regulator	1
5	10403017	送料调节器轴套	Feed regulator bushing	1
6	101S11023	螺钉SM3/16"x28 L=6.5	Screw SM3/16"x28 L=6.5	1
7	10126045	标盘螺钉	Feed regulator stud	1
8	10122016	送料调节螺钉O形圈	Rubber ring	1
9	1011107000	标盘旋钮组件	Knob component	1
10	101S11022	螺钉SM3/16"x28 L=18	Screw SM3/16"x28 L=18	1
11	10126011	送料曲柄销	Feed rocker crank pin hinge	1
12	101S20005	抬牙连杆轴位螺钉SM9/32"x28	Screw SM9/32"x28	1
13	10104002	送料曲柄	Feed rocker shaft crank	1
14	101S11016	螺钉SM3/16"x28 L=14	Screw SM3/16"x28 L=14	1
15	400093	抬牙连杆	Connecting rod	1
16	101S11016	螺钉SM3/16"x28 L=14	Screw SM3/16"x28 L=14	1
17	10104004	抬牙后曲柄	Feed driving shaft crank	1
18	400091	送料连杆	Rocker shaft connecting rod	1
19	10126006	送料连杆销	Connecting rod pin	1
20	101S16003	螺母SM9/32"x28 L=4	Hinge Screw SM9/32"x28 L=4	1
21	10102008	送料轴	Feed rocker shaft	1

5. 送料分组件/Feed Mechanism Components

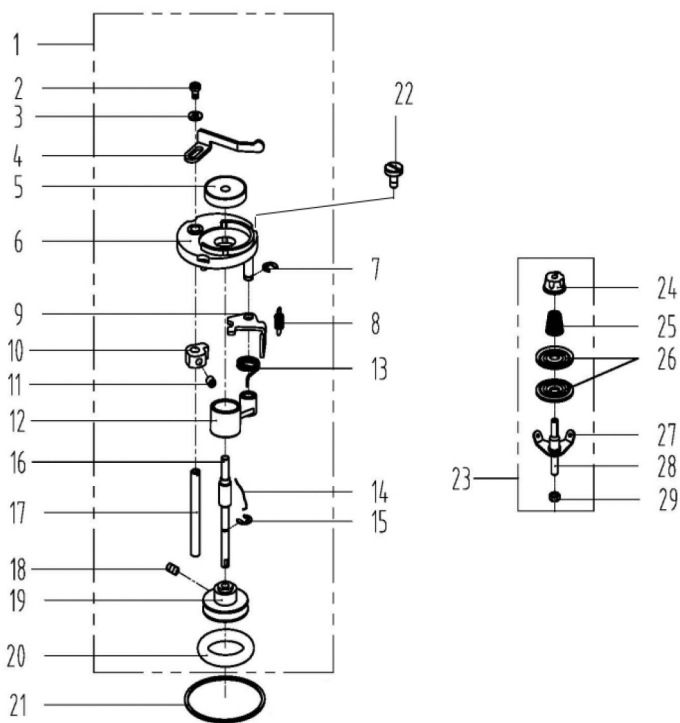
序号 NO	公司件号 Part NO	名称 PartName	零件描述 Description	数量 Number
22	11202001	抬牙轴	Feed driving shaft	1
23	101S15006	螺钉SM15/64"×28 L=7	Screw SM15/64"×28 L=7	1
24	101S15013	螺钉SM15/64"×28 L=10	ScrewSM15/64"×28 L=10	1
25	10131086	倒缝扳手	Reverse feed lever	1
26	10103024	倒送料轴轴套	Reverse feed shaft bushing back	1
27	10102023	倒缝送料轴	Reverse feed shaft	1
28	10122017	倒送料轴O形圈	Rubber ring	1
29	10108003	送料轴挡圈	Feed rocker shaft snap ring	4
30	101S15002	螺钉SM1/4"×40 L=6	Screw SM1/4"×40 L=6	2
31	10403015	轴套	Bushing	2
32	H03001	GB/T894.1-1986挡圈15	Snap ring 15	1
33	10108003	送料轴挡圈	Feed rocker shaft snap ring	1
34	101S15002	螺钉SM1/4"×40 L=6	Screw SM1/4"×40 L=6	2
35	10403015	轴套	Bushing	1
36	H03001	GB/T894.1-1986挡圈15	Snap ring 15	1
37	10104007	抬牙叉形曲柄	Driving shaft crank	1
38	116S11005	螺钉SM11/64"×40 L=13	Screw SM11/64"×40 L=13	1
39	12814001	送料牙	Feed dog	1
	12814002	送料牙 (1/4)	Feed dog (1/4)	1
	12814005	送料牙 (3/16) (-T专用)	Feed dog (3/16) (-T dedicated)	1
40	470060	牙架	Feed bar asm	1
41	101S11016	螺钉SM3/16"×28 L=14	Screw SM3/16"×28 L=14	1
42	10128003	牙架座螺钉垫圈	Washer	1
43	101S11025	螺钉SM11/64"×40 L=7	Screw SM11/64"×40 L=7	2
44	10401007	牙架销	Feed bar pin	1
45	480095	牙架座	Feed bar bed	1
46	11380700300	牙架组件 (成品)	Feed bar asm	1
47	101S11018	螺钉SM1/8"×44 L=6	Screw SM1/8"×44 L=6	2
48	101S15010	螺钉SM15/64"×28 L=10.5	Screw SM15/64"×28 L=10.5	2
49	10126009	送料摆动板左销	Left pin	1
50	10126007	短摆动板连杆销	Connecting pin	1
51	10109005	送料短摆动板	Feed short shaking plate	1
52	10109004	送料长摆动板	Feed long shaking plate	1
53	10126007	短摆动板连杆销	Connecting pin	1
54	1010100200	送料摆动板座分部件	Feed shaking plate bed	1
55	10126010	送料摆动板座右销	components Right pin	1
56	101S15010	螺钉SM15/64"×28 L=10.5	Screw SM15/64"×28 L=10.5	1
57	11427011	送料调节弹簧	Spring	1
58	11329020	挡圈5	Snap ring 5	1
59	11412081	拉簧固定板	Pull spring fixing plate	1
60	10127011	倒送料拉簧	Reverse feed pull spring	1
61	1140402700	倒送料曲柄组件	Feed reverse crank asm.	1
62	11321005	油管	Tube	1
63	114S30007	螺钉SM11/64"×40 L=7.5	Screw SM11/64"×40 L=7.5	1
64	114S16004	螺母SM11/64"×40	Nut SM11/64"×40	1
65	S01102	螺钉SM3/16"×28 L=18	Screw SM3/16"×28 L=18	1
66	11329020	挡圈5	Snap ring 5	1
67	10126015	送料距锁合销	Pin	1
68	10127010	送料距锁合簧	Spring	1



6. 润滑组件/Oil Lubrication Components

序号 NO	公司件号 Part NO	名称 PartName	零件描述 Description	数量 Number
1	11211004	油窗	Oil sight window	1
2	10122019	油窗O形圈	Rubber ring	1
3	11421008	上轴供油管	Main shaft oil tube	1
4	101S30008	油泵连接螺柱	Oil pump connecting stud	1
5	11329010	开口挡圈10	Snap ring 10	1
6	10121001	下轴供油管	Hook driving shaft oil tube	1
7	10112020	油泵安装板	Oil pump installing base	1
8	W03002	弹垫	Spring washer	1
9	101S11011	螺钉SM11/64"×40×9.5	Screw SM11/64"×40 L=9.5	1
10	10103022	油泵体衬套	Oil pump bushing	1
11	101S30007	螺钉M7×0.75 L=5	Screw M7×0.75 L=5	1
12	10127013	柱塞簧	Plunger spring	1
13	10122018	回油柱塞	Plunger	1
14	10120001	油泵体	Oil pump	1
15	S04093	螺钉M3 L=6	Screw M3 L=6	3
16	10111003	油泵叶轮	Oil pump impeller	1
17	10112021	油泵叶轮托板	Oil pump impeller cover	1
18	10111007	油泵盖	Lubricating oil pump cover	1
19	101S30006	螺钉ST2.9 L=10	Screw ST2.9 L=10	3
20	1012000100	油泵分部件	Lubricating oil pump component	1
21	101S11026	螺钉SM15/64"×28 L=9	Screw SM15/64"×28 L=9	1
22	10136001	供油管接头	Rubber joint	1
23	W02004	GB/T93-1987弹垫M6	Spring Washer M6	1
24	10121006	供油管	Hook oil tube	1
	11321002	供油管 (-T专用)	Hook oil tube (-T dedicated)	1
25	10112022	旋梭供油管压板	Tube holder	1
26	10127014	油量调节螺钉弹簧	Spring	1
	13827014	油量调节螺钉弹簧 (-T专用)	Spring (-T dedicated)	1
27	101S30009	油量调节螺钉 (-T专用)	Screw (-T dedicated)	1
	113S30001	油量调节螺钉	Screw	1
28	10423005	油线	Oil wick	1
29	10127015	回油毡夹	Oil felt clamp	1
30	10123006	回油毡	Oil felt felt	1
31	101S11004	螺钉SM3/16"×28 L=7	Screw SM3/16"×28 L=7	1
32	10112023	回油管夹	Oil tube clamp	1
33	11502100100	回油管部件	Oil return tube component	1
34	101S11026	螺钉SM15/64"×28 L=9	Screw SM15/64"×28 L=9	1
35	10112025	油线固定板 (有油)	Oil wick fixing plate (Oil Head)	1
36	101S11010	螺钉SM9/64"×40 L=11 (有油)	Screw SM9/64"×40 L=11 (Oil Head)	2
37	10123010	油线 (有油)	Oil wick (Oil Head)	1
38	11312031	挡油罩 (有油)	Oil shield cover (Oil Head)	1

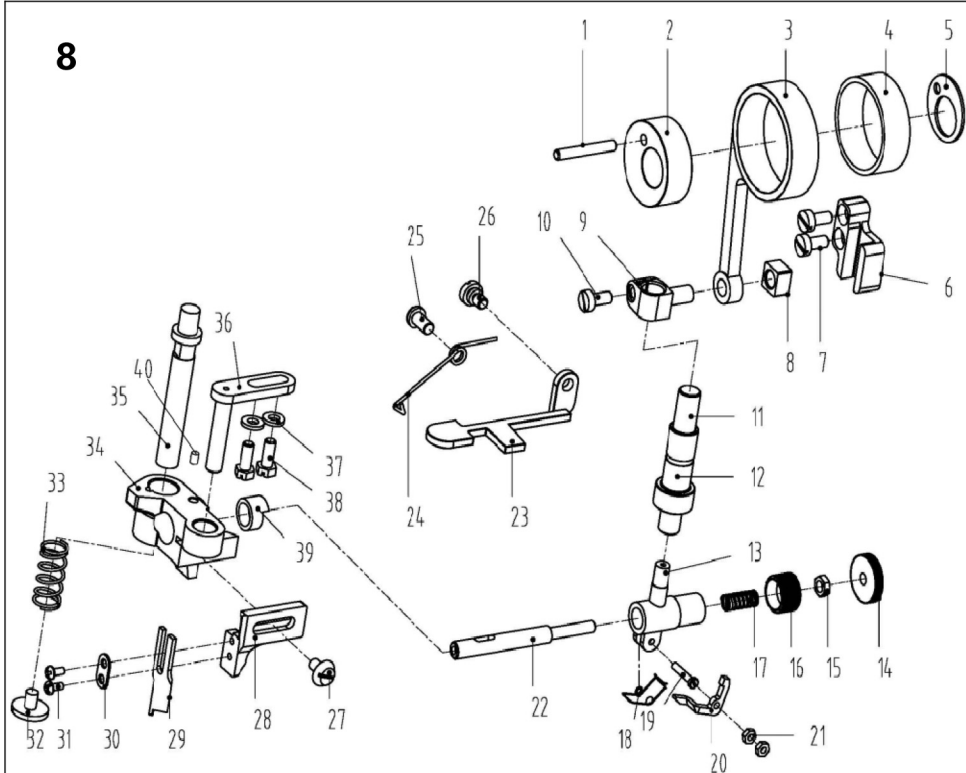
7



7. 绕线器组件/ Bobbin Components

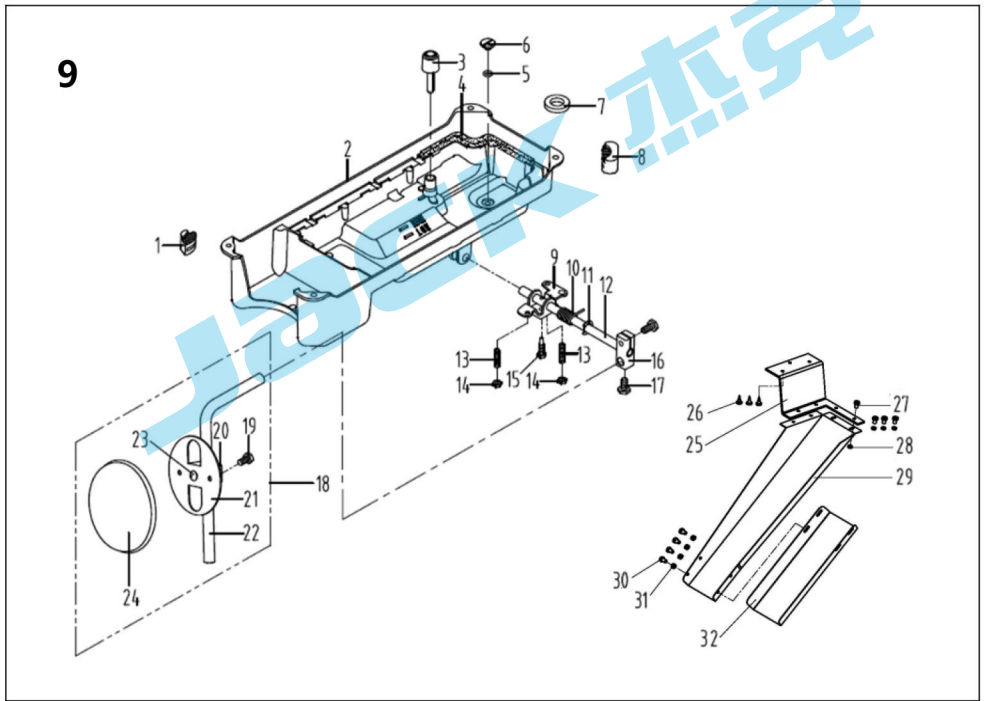
序号 NO	公司件号 Part NO	名称 PartName	零件描述 Description	数量 Number
1	1383103900	绕线器组件	Bobbin winder asm	1
2	114511008	螺钉M4 L=6	Screw M4 L=6	1
3	W01142	垫圈4	Washer	1
4	10113030	压线控制板	Thread press control plate	1
5	10111120	绕线衬垫	Winding pad	1
6	13831101	绕线器装置主座	Bobbin winder bed	1
7	H05006	开口挡圈5	Snap ring 5	1
8	10127061	复位板拉簧	Spring	1
9	13812110	调节板	Regulating plate	1
10	10110030	绕线凸轮	Bobbin winder cam	1
11	S09045	螺钉M5 L=5	Screw M5 L=5	1
12	1380510600	绕线器连杆组件	Bobbin winder connecting rod	1
13	13827103	淌线复位簧	spring	1
14	10127060	弹簧	Spring	1
15	H05909	开口挡圈4	Snap ring 4	1
16	13802111	绕线器主轴	Bobbin winder main shaft	1
17	13802026	绕线凸轮轴	Bobbin winder cam shaft	1
18	S09103	螺钉M4 L=4	Screw M4 L=4	2
19	13831102	绕线轮	Bobbin winder wheel	1
20	O01110	O型圈	Ring	1
21	11422062	密封垫	Washer	1
22	114511003	螺钉SM3/16"×28 L=10	Screw SM3/16"×28 L=10	3
23	1381300600	底线夹线器	Bobbin thread tension asm	1
24	138s16019	夹线螺母	Thread tension nut	1
25	11427006	小夹线弹簧	Spring	1
26	10112005	夹线板	Thread tension disk	2
27	11413022	夹线过线板	Thread tension guide plate	1
28	112513004	夹线螺钉	Screw	1
29	114516001	螺母SM11/64"×40	Nut SM11/64"×40	1

8



8. 切刀专用部件/ Knife Components

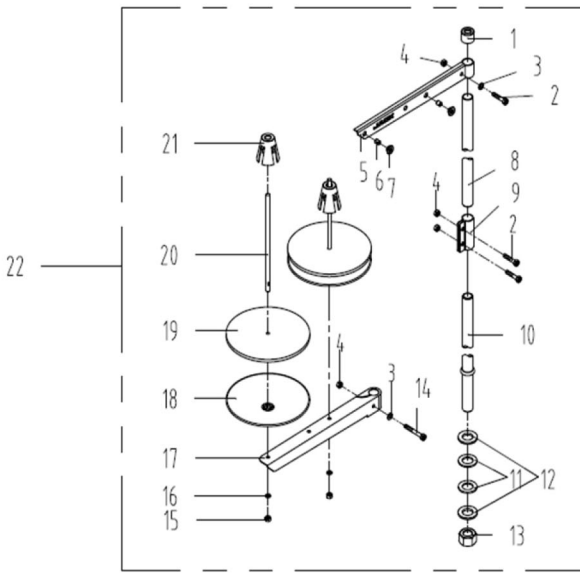
序号 NO	公司件号 Part NO	名称 PartName	零件描述 Description	数量 Number
1	12726001	切刀凸轮销 (无油)	Pin (Dry Head)	1
	12826003	切刀凸轮销 (有油)	Pin (Oil Head)	1
2	12710002	切刀凸轮 (无油)	Knife cam (Dry Head)	1
	12810001	切刀凸轮 (有油)	Knife cam (Oil Head)	1
3	12705003	切刀连杆 (无油)	Knife connecting rod (Dry Head)	1
	12805003	切刀连杆 (有油)	Knife connecting rod (Oil Head)	1
4	1272400100	切刀连杆轴承 (无油)	Knife connecting rod bearing (Dry Head)	1
	B07041	滚针轴承K25×29×10 (油)	Knife connecting rod bearing (Oil Head)	1
5	12812005	切刀凸轮盖板	Cover plate	1
6	12809001	切刀滑块导轨	Slide bolck guide rail	1
7	101S11020	螺钉SM11/64*×40 L=10.5	Screw SM11/64*×40 L=10.5	2
8	12809002	切刀滑块	Slide bolck	1
9	12804002	切刀轴连接柱	Knife driving stud connection asm	1
10	209S11009	螺钉SM9/64*×40 L=9.5	Screw SM9/64*×40 L=9.5	1
11	12802006	切刀轴 (无油)	Knife shaft (Dry Head)	1
	12802011	切刀轴 (有油)	Knife shaft (Oil Head)	1
12	12803001	切刀轴衬套	Bushing	1
13	12804003	切刀离合支架	Knife driving rod clutch bracket	1
14	12811001	切刀离合销旋钮	Knob	1
15	201S16003	螺母SM11/64*×40	Nut SM11/64*×40	1
16	12801002	切刀离合销盖	Cap	1
17	12827001	切刀离合销簧	Spring	1
18	12827002	切刀放松杆簧	Spring	1
19	12826002	切刀放松杆销	Pin	1
20	12805001	切刀放松杆	Knife release rod	1
21	N01018	螺母M2.5	Nut M2.5	2
22	12826001	切刀离合销	Knife driving rod clutch pin	1
23	12812031	切刀座下压手柄	Knife bed component pull down hand	1
24	12827008	扭力弹簧	spring	1
25	128S11001	螺钉SM3/16*×28 L=14	Screw SM3/16*×28 L=14	1
26	128S20005	切刀手柄轴位螺钉SM11/64*×40	Axial Screw SM11/64*×40	1
27	128S17001	螺钉SM11/64*×40 L=8	Screw SM11/64*×40 L=8	1
28	12801004	切刀架	Knife bracket	1
	12801032	切刀架 (-T专用)	Knife bracket (-T dedicated)	1
29	12819001	上切刀	Knife	1
30	12812006	上切刀压板	Press plate	1
31	101S11018	螺钉SM1/8*×44 L=6	Screw SM1/8*×44 L=6	2
32	101S11023	螺钉SM3/16*×28 L=6.5	Screw SM3/16*×28 L=6.5	1
33	112827001	切刀座复位簧	Spring	1
34	1280100300	切刀座部件组件	Knife bed component	1
35	12802021	切刀座轴	Knife bed shaft	1
36	12805004	切刀座导杆	Knife bed guide rod	1
37	12828001	切刀座导杆螺钉垫圈	Washer	3
38	209S12001	螺钉SM11/64*×40 L=8	Screw SM11/64*×40 L=8	2
39	12803003	切刀座部件右套	Knife bed component bushing right	1
40	12S515003	螺钉SM11/64*×40 L=5	Screw SM11/64*×40 L=5	1



9 油盘、膝抬压脚分组件/Oil Ceservoir & Knee Lifter Components

序号 NO	公司件号 Part NO	名称 PartName	零件描述 Description	数量 Number
1	10122022	油盘座垫	Oil reservoir rubber cushion	2
2	12801006	油盘	Oil Reservoir	1
	12801016	油盘 (-T专用)	Oil Reservoir (-T dedicated)	1
3	10111005	抬压脚顶杆	Knee lifter push rod	1
4	10122020	油盘垫	Oil Reservoir gasket	1
5	10122021	O形圈	Rubber ring	1
6	101S11028	螺钉SM5/16*×24 L=7	Screw SM5/16*×24 L=7	1
7	10131001	油盘磁铁	Oil reservoir magnet	1
8	10122023	油盘支架	Oil reservoir rubber cushion	2
9	10112027	抬压脚双向曲柄	Knee lifter crank	1
10	10127016	双向曲柄扭簧	Knee lifter spring	1
11	H05010	GB/T896-1986挡圈10	Snap ring 10	1
12	10102011	抬压脚轴	Knee lifter shaft	1
13	101S15012	螺钉M6 L=30	Screw M6 L=30	2
14	101S16004	螺母M6 L=4	Nut M6 L=4	2
15	101S12002	螺钉M6 L=26	Screw M6 L=26	1
16	10101008	抬压脚操纵杆节头	Bearing bracket	1
17	101S12003	螺钉M8 L=16	Screw M8 L=16	1
18	1011202800	操纵杆组件	Knee press plate asm.	1
19	101S12004	螺钉M6 L=11	Screw M6 L=11	1
20	10112030	操纵杆节头	Knee press plate holder	1
21	10112029	操纵板	Knee press plate	1
22	10112028	操纵杆	Knee press plate rod	1
23	10122025	操纵杆垫	Rubber	1
24	10122024	操纵板软垫	Knee press plate cover	1
25	301012	导屑滑板支架	Wood material chute holder	1
26	128S30001	螺钉M4 L=16	Screw M4 L=16	3
27	S13001	螺钉M4 L=10	Screw M4 L=10	4
28	N01015	螺母M4	Nut M4	4
29	301011	导屑滑板	Wood material chate	1
30	S13002	螺钉M4 L=8	Screw M4 L=8	4
31	N01015	螺母M4	Nut M4	4
32	301015	导屑连接滑板	Waste material cute	1

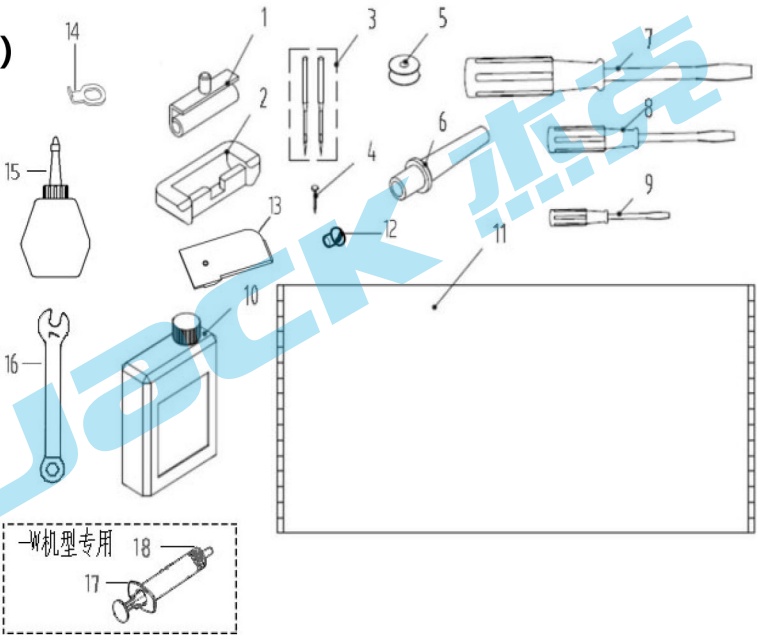
10 (1)



10. 机头附件 (1) -线架组件/Machine Head Accessories (1)-Thread Stand Con

序号 NO	公司件号 Part NO	名称 PartName	零件描述 Description	数量 Number
1	20131019	线架杆顶防护橡皮	Spool rest rod rubber cap	1
2	S04050	螺栓M5 L=16	Screw M5 L=16	3
3	W01047	垫圈M5	Washer M5	2
4	N01034	螺母M5	Nut M5	4
5	13831022	上线架过线杆	Spool rest arm upper	1
6	10113011	过线圈 (内)	Thread guide ring	2
7	10113010	过线圈 (外)	Thread guide ring	2
8	13831019	线架杆上节	Spool rest rod upper	1
9	13831021	线架杆接头	Spool rest rod joint	1
10	13831020	线架杆下节	Spool rest rod lower	1
11	10122106	橡胶垫圈	Spool rest rod rubber ring	2
12	W01052	垫圈16	Washer 16	2
13	N02008	螺母M16	Spool rest rod nut M16	1
14	S04051	螺栓M5 L=31.5	Screw M5 L=31.5	1
15	N01034	螺母M5	Nut M5	2
16	W03002	弹簧垫圈M5	Spring washer M5	2
17	13831023	下线架过线杆	Spool rest arm lower	1
18	13831024	线盘	Spool rest	2
19	20131010	线盘垫	Spool rest cushion	2
20	20131006	线盘钉	Spool pin	2
21	13831025	线团防松垫	Spool retainer	2
22	1383100300	线架组件	Thread stand asm	1

10 (2)



10机头附件 (2) /Machine Head Accessories (2)

序号NO	公司件号 Part NO	名称 PartName	零件描述 Description	数量 Number
1	1011203100	机头连接钩部件	Hinge component	2
2	10122060	机头连接钩座	Head connecting rubber cushion	2
3	10117001	机针DBx1#14	Needle DBx1#14	4
4	101530010	机头连接钩座钉 (P19)	Shoe spike (p19)	6
5	10118003	梭心	Bobbin	2
6	10111011	机头支柱	Machine head rest pin	1
7	20731047	螺丝刀 (大)	Screw driver (large)	1
8	10131003	螺丝刀 (中)	Screw driver (medium)	1
9	10131004	螺丝刀 (小)	Screw driver (small)	1
10	1011101200	油箱部件	Oiler component	1
11	114131001	防尘罩	Dust cover	1
12	305511005	螺钉SM9/64*×40 L=4	Screw SM9/64*×40 L=4	1
13	12815006	针板盖	Needle plate cover	1
14	12812004	压板弹簧	Spring	1
15	20131038	小油壶(尖嘴)	Oiler component	1
16	20131042	扳手 (7mm)	Wrench (7mm)	1
17	11411029	注射器 (无油专用)	Syringe (Dry Head dedicated)	1
18	11431038	进口黄油 (无油专用)	Butter (Dry Head dedicated)	0.003Kg

杰克缝纫机股份有限公司

杰克缝纫机
全球销量遥遥领先

公司地址(Address of Company) : 中国浙江省台州市椒江区三甲东海大道东段1008号
NO.1008, DONGHAI AVENUE EAST, JIAOJIANG DISTRICT,TAIZHOU CITY, ZHEJIANG

邮编(Zip Code): 318000

国内销售部(Domestic Trade Department):

电话(TEL): 0086-0576-88177788 88177789

传真(FAX): 0086-0576-88177758

国贸销售部(International Trade Department):

电话(TEL): 0086-0576-88177782 88177774

传真(FAX): 0086-0576-88177787

服务热线: 400-8876858

http://www.chinajack.com

资料如有更改, 恕不另行通知, 以实物为准。

You will be not informed if the file has been revised.Please set sample as standard.

日期: 2020.12



请您扫下杰克服务号