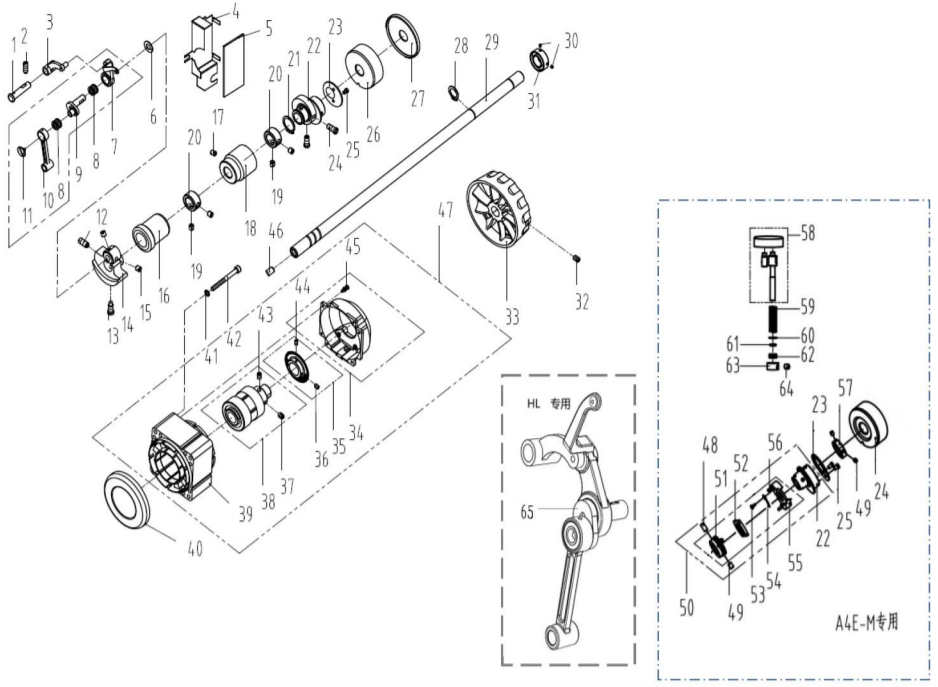


1. 机壳、外装部件/Machine Frame & Miscellaneous Cover Components

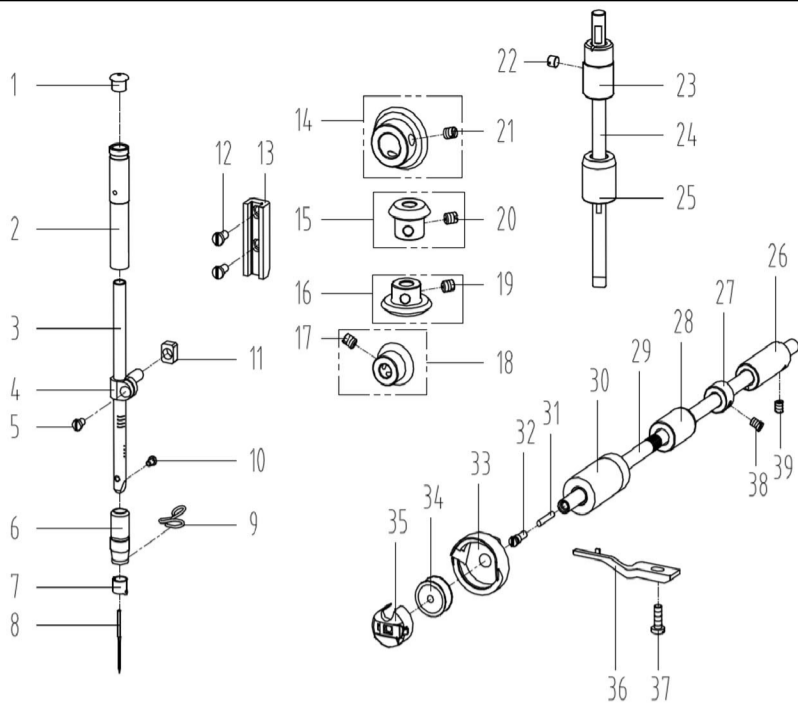
| 序号 NO | 公司件号 Part NO | 名称 PartName | 零件描述 Description | 数量 Number |
|-------|--------------|---------------------------|--|-----------|
| 1 | 101S11001 | 螺钉SM3/16"×28 L=9 | Screw SM3/16"×28 L=9 | 14 |
| 2 | 10122003 | 面板调节孔螺塞 | Rubber plug | 2 |
| 3 | 115037001 | 商标牌 | Head card | 1 |
| 4 | 930000262 | 面板(喷漆) | Face plate asm | 1 |
| 5 | 13813005 | 左线钩 | Thread guide left | 1 |
| 6 | 101S11007 | 螺钉SM11/64"×40 L=6 | Screw SM11/64"×40 L=6 | 1 |
| 7 | 115022002 | 面板垫 | Face plate gasket | 1 |
| 8 | 101S11027 | 螺钉SM1/8"×44 L=3.4 | Screw SM1/8"×44 L=3.4 | 1 |
| 9 | 113812019 | 面部防油板 | Face oil shield asm | 1 |
| | 11412082 | 面部防油板(厚料) | Face oil shield asm (H) | 1 |
| 10 | 11503000100 | 倒缝开关组件(三开关)(琦星) | Three switch components (Q) | 1 |
| | 11503002900 | 倒缝开关组件(三开关) | Three switch components | 1 |
| 11 | 101S11004 | 螺钉SM3/16"×28 L=7 | Screw SM3/16"×28 L=7 | 2 |
| 12 | 13812018 | 挑线杆防护罩 | Thread take-up lever cover | 1 |
| 13 | 10122004 | 针杆曲柄螺孔塞 | Rubber plug | 1 |
| 14 | 10122005 | 挑线连杆螺孔塞 | Rubber plug | 1 |
| 15 | 101S11004 | 螺钉SM3/16"×28 L=7 | Screw SM3/16"×28 L=7 | 1 |
| 16 | 13512004 | 三孔线勾 | 3-hole thread guide | 1 |
| 17 | 10122005 | 挑线连杆螺孔塞 | Rubber plug | 1 |
| 18 | 114S11015 | 螺钉SM9/64"×40 L=6 | Screw SM9/64"×40 L=6 | 2 |
| 19 | 11419001 | 割线刀 | Knife | 1 |
| 20 | 138S05001 | 螺钉M3 L=12 | Screw M3 L=12 | 2 |
| 21 | 13822001 | 操作屏孔塞 | Rubber plug | 2 |
| 22 | 20722002 | 油塞 | Rubber plug | 1 |
| 23 | 115022001 | 后窗板垫 | Side plate gasket | 1 |
| 24 | 930000263 | 后窗板(喷漆) | Side plate | 1 |
| | 11503000900 | 一体机电控组件(琦星) | Electronic control asm (Q) | 1 |
| 25 | 11503001300 | 一体机电控组件(鲍麦) | Electronic control asm(Power Max) | 1 |
| | 11523000200 | 一体机电控组件(众邦) | Electronic control asm (Z) | 1 |
| 26 | W01008 | GB/T97.1-1985垫圈5 (琦星) | Washer 5(Q) | 2 |
| | W01009 | GB/T97.1-1985垫圈5 (鲍麦, 众邦) | Washer 5(Power Max, Z) | 3 |
| 27 | 114S13001 | 螺栓(内六角)M5 L=20 | Screw M5 L=20 | 1 |
| | 114S13001 | 螺栓(内六角)M5×20(鲍麦) | Screw M5×20(Power Max) | 4 |
| 28 | S05901 | 螺钉M5×50(琦星) | Screw M5×50(Q) | 3 |
| | 114S13001 | 螺栓(内六角)M5×20(众邦) | Screw M5×20(Z) | 3 |
| | 11503000300 | 一体机电控面板组件(琦星) | Control panel (Q) | 1 |
| 30 | 11503001500 | 一体机电控面板组件(鲍麦) | Control panel(Power Max) | 1 |
| | 11523000100 | 一体机电控面板组件(众邦) | Control panel (Z) | 1 |
| | 11503001600 | 一体机电控面板组件(+) | Control panel(+) | 1 |
| 31 | 13810008 | 小夹线器螺柱 | Thread tension post | 1 |
| 32 | 13812066 | 过线板 | Thread tension guide plate | 1 |
| 33 | 14112017 | 小夹线板 | Thread tension disk | 2 |
| 34 | 11227001 | 小夹线弹簧 | Thread tension spring | 1 |
| 35 | 141S16019 | 小夹线器螺母 | Thread tension nut | 1 |
| 36 | 1411300400 | 小夹线器组件 | Thread tension asm | 1 |
| 37 | 138S08006 | 螺钉SM3/16"×28 L=7 | Screw SM3/16"×28 L=7 | 1 |
| 38 | 11326012 | 松线钉 | Tension release pin | 1 |
| | 10126002 | 松线钉(厚料) | Tension release pin (H) | 1 |
| 39 | 101S15005 | 螺钉SM9/64"×40 L=5.5 | Screw SM9/64"×40 L=5.5 | 1 |
| 40 | 10122014 | 挑线黄调座O型圈 | Rubber ring | 1 |
| 41 | 10103011 | 挑线黄调座 | Thread tension base | 1 |
| 42 | 10127001 | 挑线簧 | Thread take-up spring | 1 |
| | 10127031 | 挑线簧(厚料) | Thread take-up spring (H) | 1 |
| 43 | 141S30001 | 夹线螺钉 | Thread tension post | 1 |
| 44 | 14112015 | 夹线板 | Thread tension disk | 2 |
| 45 | 14112016 | 松线板 | Disk stopper | 1 |
| 46 | 10127002 | 夹线弹簧 | Thread tension spring A | 1 |
| | 11427050 | 夹线弹簧(厚料) | Thread tension spring A (H) | 1 |
| 47 | 10112007 | 夹线制动板 | Thread disk rotating stopper | 1 |
| 48 | 141S16013 | 夹线螺母 | Thread tension nut | 1 |
| 49 | 1411300300 | 夹线器组件 | Thread tension asm | 1 |
| | 1411300500 | 夹线器组件(厚料) | Thread tension asm (H) | 1 |
| 50 | 11493000300 | 电子夹线器组件 | Nest less e-device | 1 |
| 51 | 207S14007 | 螺钉M4 L=6 | Screw M4 L=6 | 1 |
| 52 | 101S12001 | 底板支柱 | Machine head stud | 4 |
| 53 | 101S11019 | 螺钉SM3/32"×56 L=2 | Screw SM3/32"×56 L=2 | 2 |
| 54 | 10127009 | 推板簧 | Slide plate spring | 1 |
| 55 | 10115002 | 推板 | Slide plate | 1 |
| | 13815011 | 针板 | Needle plate | 1 |
| | 11315001 | 针板(厚料) | Needle plate (H) | 1 |
| | 10815001 | 针板(-7) | Needle plate (-7) | 1 |
| | 13615003 | 针板(-L) | Needle plate (-L) | 1 |
| 57 | 104S17002 | 螺钉SM11/64"×40 L=6.5 | Screw SM11/64"×40 L=6.5 | 2 |
| 58 | 13812019 | 卷边器座 | Ruler stop seat | 1 |
| 59 | 101S11002 | 螺钉SM11/64"×40 L=5.5 | Screw SM11/64"×40 L=5.5 | 1 |
| 60 | 11413011 | 固定式线钩 | Thread guide | 1 |
| 61 | 401S16001 | 螺母SM9/64"×40 | Nut SM9/64"×40 | 1 |
| 62 | 101S15010 | 螺钉SM15/64"×28 L=10.5 | Screw SM15/64"×28 L=10.5 | 1 |
| 63 | 10113004 | 右线钩 | Thread guide right | 1 |
| 64 | 101S11007 | 螺钉SM11/64"×40 L=6 | Screw SM11/64"×40 L=6 | 1 |
| 65 | 13822028 | 橡皮塞(二孔) | Rubber plug | 1 |
| | 11503001700 | 一体机电控罩壳(鲍麦) | Servo motor box(Power Max) | 1 |
| | 11503000800 | 一体机电控罩壳(鲍麦)(+) | Servo motor box(Power Max)(+) | 1 |
| 67 | 115026002 | 电控罩壳销 | Pin | 1 |
| 68 | 138S30007 | 侧盖螺钉 | Screw | 1 |
| 69 | H05002 | GB/T896-1986卡簧3 | Snap ring 3 | 1 |
| 70 | S04010 | GB/T65-1985螺钉M4 L=5.5 | Screw M4 L=5.5 | 1 |
| 71 | 13812109 | 侧盖固定板 | Fixed plate | 1 |
| 72 | 101S11026 | 螺钉SM15/64"×28 L=9 | Screw SM15/64"×28 L=9 | 1 |
| 73 | 113811004 | 尼龙扎带 | Cable band | 6 |
| 74 | W02004 | 垫片 | Washer | 2 |
| 75 | 10122007 | 孔塞 | Rubber plug | 1 |
| 76 | 114130006 | 无线通信模块(+) | RF wireless data communication module(+) | 1 |



2. 上轴、挑线部件 / Main Shaft & Thread Take-up Components

| 序号 NO | 公司件号 Part NO | 名称 PartName | 零件描述 Description | 数量 Number |
|-------|--------------|-------------------------|------------------------------------|-----------|
| 1 | 10126001 | 挑线连杆销 | Thread take-up connecting rod pin | 1 |
| 2 | 101S15001 | 螺钉SM15/64"x28 L=15 | Screw SM15/64"x28 L=15 | 1 |
| 3 | 10105001 | 挑线连杆(厚料) | Thread take-up connecting rod (H) | 1 |
| 4 | 14112004 | 防油罩 | Oil shield | 1 |
| 5 | 14123001 | 防油罩油棉 | Oil cotton | 1 |
| 6 | 10112003 | 针杆曲柄护板 | Needle bar crank protecting plate | 1 |
| 7 | 1013800100 | 挑线杆分组件 | Thread take-up lever asm | 1 |
| | 1133800200 | 挑线杆组件(厚料) | Thread take-up lever asm (H) | 1 |
| 8 | 10124001 | 挑线杆滚针轴承 | Needle bearing | 2 |
| 9 | 1011000100 | 挑线曲柄分部件 | Thread take-up crank | 1 |
| | 1011000400 | 挑线曲柄分部件(厚料) | Thread take-up crank (H) | 1 |
| | 11310010 | 挑线曲柄(H-M) | Thread take-up crank (H-M) | 1 |
| 10 | 10105002 | 针杆连杆 | Needle bar connecting rod | 1 |
| 11 | 101S17001 | 螺钉SM9/64"x40 (左旋) L=4.8 | Screw SM9/64"x40 (left hand) L=4.8 | 1 |
| 12 | 101S15004 | 紧固螺钉SM9/32"x28 L=16 | Screw SM9/32"x28 L=16 | 1 |
| 13 | 101S11003 | 定位螺钉SM9/32"x28 L=16 | Screw SM9/32"x28 L=16 | 1 |
| 14 | 10404001 | 针杆曲柄 | Needle bar crank | 1 |
| | 11404035 | 针杆曲柄(厚料) | Needle bar crank (H) | 1 |
| | 11310010 | 针杆曲柄(H-M) | Needle bar crank (H-M) | 1 |
| 15 | 101S15002 | 螺钉SM1/4"x40 L=6 | Screw SM1/4"x40 L=6 | 2 |
| 16 | 1140300200 | 上轴前轴套组件 | Main shaft bushing front | 1 |
| 17 | 101S15006 | 螺钉SM15/64"x28 L=7 | Screw SM15/64"x28 L=7 | 1 |
| 18 | 12203002 | 主轴中轴套 | Main shaft bushing mid | 1 |
| 19 | 101S14001 | 螺钉SM1/4"x40 L=6 | Screw SM1/4"x40 L=6 | 4 |
| 20 | 10108001 | 上轴挡圈 | Main shaft thrust collar | 2 |
| 21 | H03002 | 挡圈20 | Snap ring 20 | 1 |
| | 400092 | 送料偏心轮 | Feed eccentric cam | 1 |
| | 400811 | 送料偏心轮(厚料、-HL) | Feed eccentric cam (H, -HL) | 1 |
| | 113810007 | 送料偏心轮 (A4E-M) | Feed eccentric cam (A4E-M) | 1 |
| | 400006 | 送料偏心轮(H-M、-7) | Feed eccentric cam (H-M, -7) | 1 |
| 22 | 10112017 | 送料偏心轮盖板 | Cover plate | 1 |
| | 10812002 | 送料偏心轮盖板(厚料、-HL) | Cover plate (H, -HL) | 1 |
| | 114612002 | 偏心轮盖板 (A4E-M) | Cover plate(A4E-M) | 1 |
| 23 | 101S11013 | 螺钉SM1/4"x40 L=13 | Screw SM1/4"x40 L=13 | 2 |
| | 207S11018 | 螺钉M5 L=10 | Screw M5 L=10 | 2 |
| 24 | 113S11003 | 螺钉SM9/64"x40 L=5 | Screw SM9/64"x40 L=5 | 2 |
| 25 | 13803002 | 上轴后轴套 | The rear axle sleeve | 1 |
| | 113803009 | 上轴后轴套 (A4E-M) | The rear axle sleeve (A4E-M) | 1 |
| 26 | 10122105 | 上轴后套挡油封 | Oil seal | 1 |
| 27 | H03001 | GB/T894.1-1986挡圈15 | Snap ring 15 | 1 |
| 28 | 115002001 | 上轴 | Main shaft | 1 |
| 29 | 115002003 | 上轴 (A4E-M) | Main shaft (A4E-M) | 1 |
| 30 | S10026 | GB/T80-1985螺钉M3 L=3 | Screw M3 L=3 | 2 |
| 31 | 115008001 | 电机防尘套 | Motor dust jacket | 1 |
| 32 | S10009 | 螺钉M6 L=8 | Screw M6 L=8 | 2 |
| 33 | 302830 | 手轮(喷漆) | Handwheel | 1 |
| | 930000155 | 手轮 (A4E-M) | Handwheel (A4E-M) | 1 |
| | 95100172 | 电机罩壳组件(配鲍麦) | Motor cover asm(Power Max) | 1 |
| 34 | 195100073 | 电机罩壳组件(配琦星) | Motor cover asm (Q) | 1 |
| | 195100100 | 电机罩壳组件(配众邦) | Motor cover asm (Z) | 1 |
| 35 | 95100116 | 电机光栅组件 | Motor grating sensor asm | 1 |
| | 195100112 | 电机光栅组件(配琦星) | Motor grating sensor asm (Q) | 1 |
| 36 | S09022 | 螺钉M3 L=4 | Screw M3 L=4 | 1 |
| 37 | S09113 | 螺钉M6 L=6 | Screw M6 L=6 | 1 |
| 38 | 95100182 | 电机转子总成 | Motor rotor | 1 |
| 39 | 95100171 | 电机定子总成 | Motor stator | 1 |
| 40 | 13811060 | 电机绝缘防护罩 | Motor insulation shield | 1 |
| 41 | W02058 | GB 93-1987弹垫d5 | Spring washer 5 | 3 |
| 42 | S05901 | 螺钉M5 L=50 | Screw M5 L=50 | 3 |
| 43 | S09113 | 螺钉M6 L=6 | Screw M6 L=6 | 1 |
| 44 | S09022 | 螺钉M3 L=4 | Screw M3 L=4 | 1 |
| 45 | 951S15011 | 螺钉组合件M3 L=12 | Screw Asm M3 L=12 | 5 |
| 46 | 10122012 | 上轴孔塞 | Rubber plug | 1 |
| 47 | 115033007 | 光电伺服电机(琦星) | Motor (Q) | 1 |
| | 113833087 | 光电伺服电机(鲍麦) | Motor(Power Max) | 1 |
| | 115233002 | 光电伺服电机(众邦) | Motor (Z) | 1 |
| | / | A4M专用组件 | A4M Dedicated components | / |
| 48 | 207S11018 | 螺钉M5 L=10 | Screw M5L=10 | 2 |
| 49 | S10002 | 螺钉M5 L=5 | screw M5x5 | 3 |
| 50 | 11381000800 | 连接套送料组件 | Connecting sleeve asm | 1 |
| 51 | 114625001 | 棘轮 | Ratcheting | 1 |
| 52 | 114609001 | 棘爪 | Pawl | 1 |
| 53 | 207S20005 | 螺钉M2 L=3 | screw M2 L=3 | 1 |
| 54 | 114627003 | 弹簧 | Spring | 1 |
| 55 | 114610003 | 连接套 | Connecting sleeve | 1 |
| 56 | P03047 | 弹性圆柱销2 | Elastic round pin | 3 |
| 57 | 114608003 | 偏心轮挡圈 | Eccentric cam thrust collar | 1 |
| 58 | 11461100200 | 按钮盖组件 | Button cap asm | 1 |
| 59 | 20727004 | 弹簧 | Spring | 1 |
| 60 | 20728001 | 垫片 | Washer | 1 |
| 61 | O01027 | O型圈 | O Ring | 1 |
| 62 | 20722005 | 油封 | Gasket | 1 |
| 63 | 114608002 | 限位挡圈 | Limit collar | 1 |
| 64 | 207S14007 | 螺钉M4 L=6 | Screw M4 L=6 | 1 |
| 65 | 1013800300 | 挑线杆组件(-L) | Thread take-up lever asm (-L) | 1 |

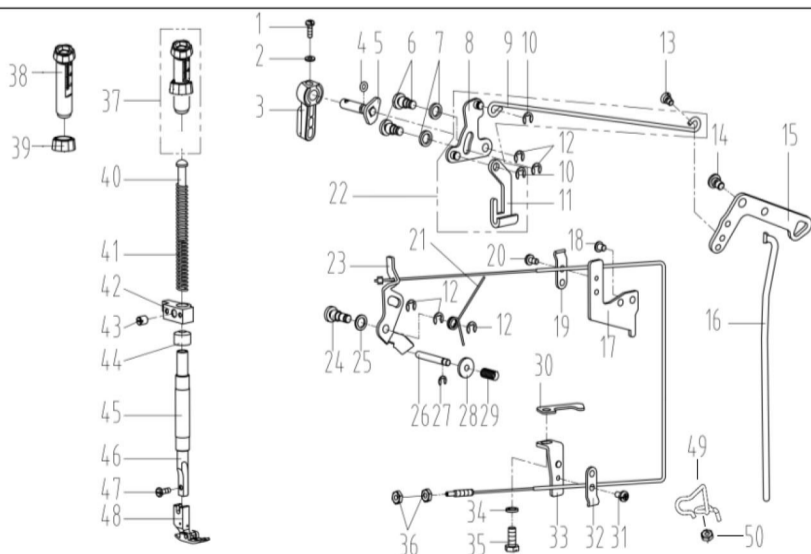
3



3. 针杆、竖轴、下轴部件/Needle bar & Upright Shaft & Hook Driving Shaft Components

| 序号 NO | 公司件号 Part NO | 名称 PartName | 零件描述 Description | 数量 Number |
|-------|--------------|---------------------|----------------------------------|-----------|
| 1 | 10122013 | 针杆上衬套孔塞 | Rubber plug | 1 |
| 2 | 14103009 | 针杆上衬套 | Needle bar bushing upper | 1 |
| 2 | 10103009 | 针杆上衬套(厚料) | Needle bar bushing upper (H) | 1 |
| 3 | 11402039 | 针杆 | Needle bar | 1 |
| 3 | 10102021 | 针杆(厚料) | Needle bar (H) | 1 |
| 4 | 10138002 | 针杆连接柱 | Needle bar connecting rod | 1 |
| 5 | 101S11005 | 螺钉SM9/64"x40 L=6 | Screw SM9/64"x40 L=6 | 1 |
| 6 | 10103010 | 针杆下衬套 | Needle bar bushing lower | 1 |
| 6 | 11303023 | 针杆下衬套(厚料) | Needle bar bushing lower (H) | 1 |
| 7 | 10113002 | 针杆线勾 | Needle bar thread guide | 1 |
| 7 | 11412063 | 针杆线勾(厚料) | Needle bar thread guide (H) | 1 |
| 8 | 10117001 | 机针DBx1 #14 | Needle DBx1 #14 | 1 |
| 8 | 10117002 | 机针DPx5 #21(厚料) | Needle DPx5 #21 (H) | 1 |
| 9 | 10413001 | 针杆下衬套线勾 | Lower bushing thread guide | 1 |
| 9 | 10113009 | 针杆下衬套线勾(厚料) | Lower bushing thread guide (H) | 1 |
| 10 | 104S11006 | 螺钉SM1/8"x44 L=4.5 | Screw SM1/8"x44 L=4.5 | 1 |
| 11 | 10109001 | 针杆连接柱滑块 | Slide block | 1 |
| 12 | 101S11008 | 螺钉SM11/64"x40 L=8 | Screw SM11/64"x40 L=8 | 2 |
| 13 | 10109002 | 针杆接头滑块导轨 | Needle bar guide | 1 |
| 14 | 10425004 | 上轴伞齿轮 | Upper shaft bevel gear | 1 |
| 15 | 10425003 | 竖轴上伞齿轮 | Upper small bevel gear asm | 1 |
| 16 | 10425002 | 竖轴下伞齿轮 | Lower large bevel gear asm | 1 |
| 17 | 101S15014 | 螺钉SM1/4"x40 L=7 | Screw SM1/4"x40 L=7 | 2 |
| 18 | 10425001 | 下轴伞齿轮 | Hook drive shaft bevel gear | 1 |
| 19 | 101S15014 | 螺钉SM1/4"x40 L=7 | Screw SM1/4"x40 L=7 | 2 |
| 20 | 101S15014 | 螺钉SM1/4"x40 L=7 | Screw SM1/4"x40 L=7 | 2 |
| 21 | 101S15014 | 螺钉SM1/4"x40 L=7 | Screw SM1/4"x40 L=7 | 2 |
| 22 | 113S11036 | 螺钉SM15/64"x28 L=4.7 | Screw SM15/64"x28 L=4.7 | 1 |
| 23 | 10403020 | 竖轴上轴套 | Upright shaft bushing upper | 1 |
| 24 | 10102007 | 竖轴 | Upright shaft | 1 |
| 25 | 10403013 | 竖轴下轴套 | Upright shaft bushing lower | 1 |
| 26 | 10403019 | 下轴后轴套 | Hook driving shaft bushing back | 1 |
| 27 | 10108002 | 下轴挡圈 | Hook driving shaft snap ring | 1 |
| 28 | 113803006 | 下轴中套 | Lower shaft middle bushing | 1 |
| 29 | 13802061 | 下轴 | Hook driving shaft | 1 |
| 30 | 11303001 | 下轴前轴套 | Hook driving shaft bushing front | 1 |
| 31 | 13823001 | 下轴限油芯 | Oil wick | 1 |
| 32 | 101S30005 | 下轴限油螺钉 | Set screw | 1 |
| 33 | 11418003 | 广濂中厚料旋梭 | Hook asm (Hirose) | 1 |
| 33 | 11418004 | 广濂厚料旋梭(厚料) | Hook asm (Hirose) (H) | 1 |
| 33 | 13618003 | 旋梭(-L) | Hook asm (-L) | 1 |
| 33 | 13818001 | 旋梭(-P) | Hook asm (-P) | 1 |
| 33 | 115018001 | 薄料旋梭(精品)(-D) | Hook asm (-D) | 1 |
| 34 | 10118003 | 梭心 | Bobbin | 1 |
| 34 | 10818501 | 梭心(大) | Bobbin (-L) | 1 |
| 34 | 13818002 | 梭心(-P) | Bobbin (-P) | 1 |
| 34 | 11218504 | 梭壳 | Bobbin case asm | 1 |
| 35 | 13618001 | 梭壳(-L) | Bobbin case asm (-L) | 1 |
| 35 | 13818003 | 梭壳(-P) | Bobbin case asm (-P) | 1 |
| 36 | 10112016 | 旋梭定位钩 | Finger postioner | 1 |
| 36 | 10112032 | 旋梭定位钩(厚料) | Finger postioner (H) | 1 |
| 37 | 116S11005 | 螺钉SM11/64"x40 L=13 | Screw SM11/64"x40 L=13 | 1 |
| 38 | 101S11012 | 螺钉SM11/64"x40 L=4.8 | Screw SM11/64"x40 L=4.8 | 2 |
| 39 | 113S14020 | 螺钉SM11/64"x40 L=6 | Screw SM11/64"x40 L=6 | 1 |

4



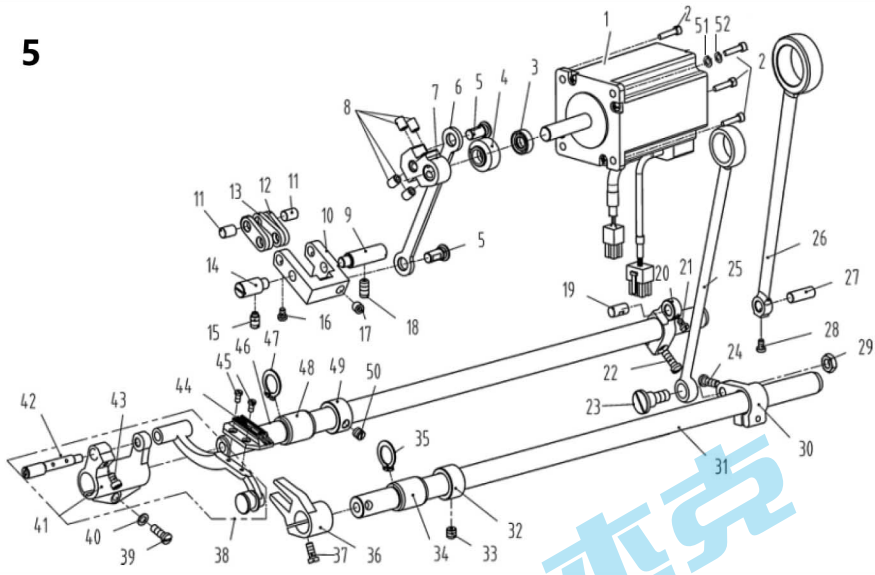
4. 压料、自动抬压脚部件/Presser Bar & Auto Lifter Components (1)

| 序号 NO | 公司件号 Part NO | 名称 PartName | 零件描述 Description | 数量 Number |
|-------|--------------|--------------------|----------------------------|-----------|
| 1 | 101S11010 | 螺钉SM9/64"x40 L=11 | Screw SM9/64"x40 L=11 | 1 |
| 2 | 10128002 | 压脚扳手螺钉垫圈 | Washer | 1 |
| 3 | 13811029 | 压脚扳手 | Hand lifter | 1 |
| 4 | O01004 | O型圈 | Rubber ring | 1 |
| 5 | 1381000200 | 压脚扳手凸轮分部件 | Hand lifter cam asm. | 1 |
| 6 | 101S20001 | 前杠杆螺纹销 | Screw | 2 |
| 7 | 10128015 | 螺纹销橡胶垫圈(厚) | Washer | 2 |
| 8 | 1381203000 | 抬压脚前杠杆分部件 | Lift front lever component | 1 |
| 9 | 10112013 | 抬压脚拉杆 | Knee lifter pull rod | 1 |
| 10 | H05003 | 开口挡圈 5 | Snap ring 5 | 2 |
| 11 | 10112010 | 压脚升降板 | Lifting plate | 1 |
| 12 | 11329020 | 开口挡圈 5 | Snap ring 5 | 5 |
| 13 | 101S20004 | 抬压脚拉杆螺钉SM3/16"x32 | Hinge Screw SM3/16"x32 | 1 |
| 14 | 101S20003 | 后杠杆轴位螺钉SM15/64"x28 | Hinge screw SM15/64"x28 | 1 |
| 15 | 12812033 | 抬压脚后杠杆 | Knee lifter back lever | 1 |
| 16 | 13812028 | 抬压脚顶杆 | Knee lifter connecting rod | 1 |
| 17 | 11212009 | 松线导管上支架 | Wire release bracket upper | 1 |

4. 压料、自动抬压脚部件/Presser Bar & Auto Lifter Components (2)

| | | | | |
|----|-------------|---------------------------|----------------------------------|---|
| 18 | 101S11004 | 油管压板螺钉SM3/16"x28 L=7 | ScREW SM 3/16"x28 L=7 | 1 |
| 19 | 11212008 | 松线导管压板 | Wire release press plate | 1 |
| 20 | 113S11004 | 松线导管压板螺钉M4 L=8 | ScREW M 4 L=8 | 1 |
| 21 | 11427009 | 松线顶板复位簧 | Reset spring | 1 |
| 22 | 1381203200 | 抬压脚前杠杆组件 | Knee lifter lever arm | 1 |
| 23 | 11381201100 | 松线顶板组件 | Wire release plate asm | 1 |
| 24 | 101S20002 | 松线顶板螺纹销 | Wire release plate pin | 1 |
| 25 | 10128015 | 螺纹销橡胶垫圈(厚) | Washer | 1 |
| 26 | 10126003 | 松线辅钉 | Thread release supporting pin | 1 |
| 27 | H05012 | 开口挡圈 4 | Snap ring 4 | 1 |
| 28 | 10128001 | 松线辅钉垫片 | washer | 1 |
| 29 | 10127003 | 松线辅钉弹簧 | Spring | 1 |
| 30 | 10112022 | 旋接供油管压板 | Tube press plate | 1 |
| 31 | 113S11004 | 松线导管压板螺钉M4 LL=8 | ScREW M 4 L=8 | 1 |
| 32 | 11212008 | 松线导管压板 | Wire presser | 1 |
| 33 | 115012003 | 松线导管下支架 | Wire release bracket lower | 1 |
| 34 | W02004 | 弹性垫圈 | Spring washer | 1 |
| 35 | 116S30003 | 抬牙叉固定螺钉SM15/64"x28 L=14.5 | ScREW SM 15/64"x28 L=14.5 | 1 |
| 36 | 113S12001 | 螺母SM3/16"x32 | Nut SM 3/16"x32 | 2 |
| 37 | 11381101800 | 调压螺钉组件 | Presser regulating screw nut asm | 1 |
| 38 | 1138NS30003 | 调压螺钉(厚料) | Presser regulating screw (H) | 1 |
| 39 | 1138NS16005 | 调压螺母(厚料) | Presser regulating nut (H) | 1 |
| 40 | 10102003 | 调压导杆 | Presser regulating guide bar | 1 |
| | 113827010 | 调压簧 | Presser regulating spring | 1 |
| 41 | 10127024 | 调压簧(厚料) | Presser regulating spring (H) | 1 |
| 42 | 13809030 | 压杆导架 | Presser bar guide bracket | 1 |
| 43 | 101S15007 | 压杆导架螺钉 SM1/4"x40 L=8 | ScREW SM 1/4"x40 L=8 | 1 |
| 44 | 10122112 | 压杆防油套 | Pressure bar oil cover | 1 |
| 45 | 10103012 | 压杆衬套 | Presser bar bushing lower | 1 |
| 46 | 113802009 | 压杆 | Presser bar | 1 |
| 47 | 101S11009 | 活压脚螺钉 SM9/64"x40 L=10.5 | ScREW SM 9/64"x40 L=10.5 | 1 |
| | 1131600600 | 压脚组件 | Presser foot asm | 1 |
| 48 | 1131600300 | 压脚组件(厚料) | Presser foot asm (H) | 1 |
| 49 | 115027001 | 拉线固定簧 | Spring | 1 |
| 50 | 409S16020 | 六角螺母 | Nut SM 15/64"x28 | 1 |

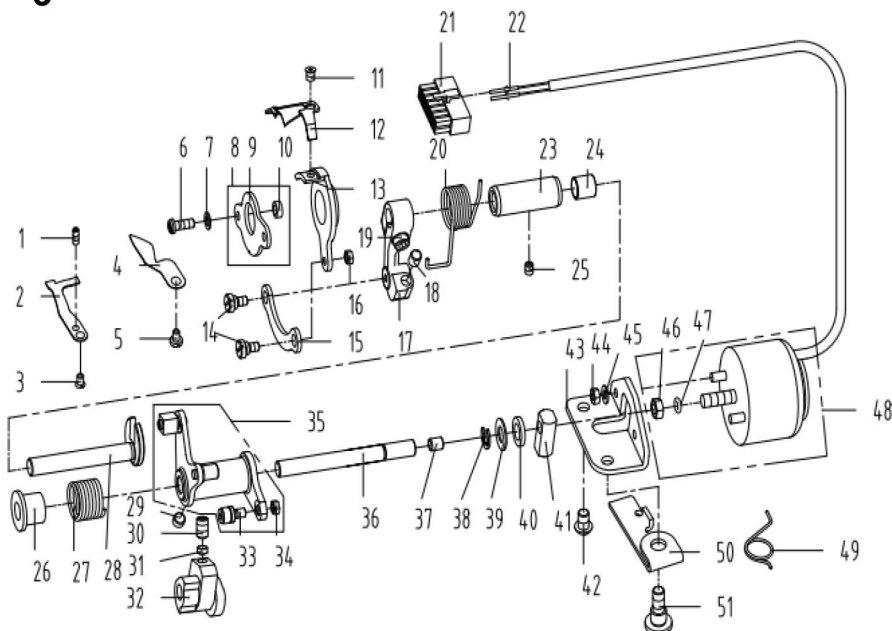
5



5. 送料部件/Feed Mechanism Components

| 序号 NO | 公司件号 Part NO | 名称 PartName | 零件描述 Description | 数量 Number |
|-------|--------------|----------------------|-------------------------------------|-----------|
| 1 | 114933002 | 步进电机(琦星) | Stepper motor (Q) | 1 |
| | 115033004 | 步进电机(琦星-7) | Stepper motor (-Q-7) | 1 |
| | 115033002 | 步进电机(+) | Stepper motor(Power Max)(+) | 1 |
| | 115233001 | 步进电机(众邦) | Stepper motor (Z) | 1 |
| | 115000113 | 步进电机(鲍麦) | Stepper motor (Power Max) | 1 |
| 2 | 409S11020 | 螺钉SM3/16"x28 L=15.5 | Screw SM3/16"x28 L=15.5 | 4 |
| 3 | 114922002 | 步进电机轴套油封Φ10×Φ16×5 | Stepper motor bushing oil seal | 1 |
| 4 | 114903001 | 步进电机轴套 | Stepper motor bushing | 1 |
| 5 | 114926001 | 针距曲柄销 | Needle gage crank pin | 2 |
| 6 | 114905001 | 针距连杆 | Needle pitch rod | 1 |
| 7 | 114904001 | 针距曲柄 | Needle gage crank | 1 |
| 8 | S10009 | 螺钉M6 L=8 | Screw M6 L=8 | 4 |
| 9 | 10126010 | 送料摆动板座右销 | Right pin | 1 |
| 10 | 114901001 | 送料摆动板座 | Feed shaking plate | 1 |
| | 114901004 | 送料摆动板座(-7) | Feed shaking plate(-7) | 1 |
| 11 | 10126007 | 短摆动板连杆销 | Connecting pin | 2 |
| | 10109005 | 送料短摆动板 | Feed short shaking plate | 2 |
| 12 | 13809007 | 送料短摆动板(厚料) | Feed short shaking plate (H) | 2 |
| | 11412022 | 送料短摆动板(-7) | Feed short shaking plate (-7) | 2 |
| 13 | 10109004 | 送料长摆动板 | Feed long shaking plate | 2 |
| | 13809008 | 送料长摆动板(厚料、-7) | Feed long shaking plate(-H, -7) | 2 |
| 14 | 10126009 | 送料摆动板座右销 | Left pin | 1 |
| 15 | 101S15001 | 螺钉SM15/64"x28 L=10.5 | Screw SM15/64"x28 L=10.5 | 1 |
| 16 | 101S11005 | 螺钉SM9/64"x40 L=6 | Screw SM9/64"x40 L=6 | 2 |
| 17 | 101S14001 | 螺钉SM1/4"x40 L=6 | Screw SM1/4"x40 L=6 | 1 |
| 18 | 113S14010 | 螺钉SM15/64"x28 L=12 | Screw SM15/64"x28 L=12 | 1 |
| 19 | 10126011 | 送料曲柄销 | Feed rocker crank pin | 1 |
| 20 | 10104002 | 送料曲柄 | Feed rocker shaft crank | 1 |
| | 11304010 | 送料曲柄(-7) | Feed rocker shaft crank (-7) | 1 |
| | 10104002 | 送料曲柄(-L) | Feed rocker shaft crank (-L) | 1 |
| 21 | 101S11005 | 螺钉SM9/64"x40 L=6 | Screw SM9/64"x40 L=6 | 1 |
| 22 | 101S11016 | 螺钉SM3/16"x28 L=14 | Screw SM3/16"x28 L=14 | 1 |
| 23 | 101S20005 | 抬牙连杆轴位螺钉SM9/32"x28 | hinge screw SM9/32"x28 | 1 |
| 24 | 101S11016 | 螺钉SM3/16"x28 L=14 | Screw SM3/16"x28 L=14 | 1 |
| 25 | 400093 | 抬牙连杆 | Connecting rod | 1 |
| | 400091 | 送料连杆 | Rocker shaft connecting rod | 1 |
| 26 | 13805002 | 送料连杆(厚料) | Rocker shaft connecting rod (H) | 1 |
| | 400083 | 送料连杆(-7) | Rocker shaft connecting rod (-7) | 1 |
| | 114605001 | 送料连杆(A4E-M) | Rocker shaft connecting rod (A4E-M) | 1 |
| | 10126006 | 送料连杆销 | Connecting rod pin | 1 |
| 28 | 101S11005 | 螺钉SM9/64"x40 L=6 | Screw SM9/64"x40 L=6 | 1 |
| 29 | 101S16003 | 抬牙连杆轴位螺母 SM9/32"x28 | Hinge Screw SM9/32"x28 | 1 |
| 30 | 10104004 | 抬牙后曲柄 | Feed driving shaft crank | 1 |
| 31 | 13802001 | 抬牙轴 | Feed driving shaft | 1 |
| 32 | 10108003 | 送料轴挡圈 | Feed rocker shaft snap ring | 1 |
| 33 | 101S15002 | 螺钉SM1/4"x40 L=6 | Screw SM1/4"x40 L=6 | 2 |
| 34 | 10403015 | 轴套 | Bushing | 1 |
| 35 | H03001 | GB/T894.1-1986挡圈 15 | Snap ring 15 | 1 |
| 36 | 10104003 | 抬牙叉形曲柄 | Snap ring 15 | 1 |
| | 10804003 | 抬牙叉形曲柄(厚料、-7) | Driving shaft crank (H, -7) | 1 |
| 37 | 1138NS30004 | 螺钉SM11/64"x40 L=10.5 | Screw SM11/64"x40 L=10.5 | 1 |
| 38 | 11380700300 | 牙架 | Feed bar asm | 1 |
| 39 | 101S11016 | 螺钉SM3/16"x28 L=14 | Screw SM3/16"x28 L=14 | 1 |
| 40 | 10128003 | 牙架座螺钉垫圈 | Washer | 1 |
| 41 | 480095 | 牙架座 | Feed bar bed | 1 |
| 42 | 10401007 | 牙架销(自制) | Feed bar pin | 1 |
| 43 | 101S11025 | 螺钉SM11/64"x40 L=7 | Screw SM11/64"x40 L=7 | 1 |
| | 13814005 | 送料牙 | Feed dog | 1 |
| 44 | 11314001 | 送料牙(厚料) | Feed dog (H) | 1 |
| | 11414001 | 送料牙(-7) | Feed dog (-7) | 1 |
| 45 | 101S11018 | 螺钉 SM1/8"x44 L=6 | Screw SM1/8"x44 L=6 | 2 |
| 46 | 10102008 | 送料轴 | Feed rocker shaft | 1 |
| 47 | H03001 | GB/T894.1-1986挡圈 15 | Snap ring 15 | 1 |
| 48 | 10403015 | 轴套 | Bushing | 1 |
| 49 | 10108003 | 送料轴挡圈 | Feed rocker shaft snap ring | 1 |
| 50 | 101S15002 | 螺钉SM1/4"x40 L=6 | Screw SM1/4"x40 L=6 | 2 |
| 51 | 10128003 | 垫片 | washer | 4 |
| 52 | W03002 | 弹簧垫圈 | Spring washer | 4 |

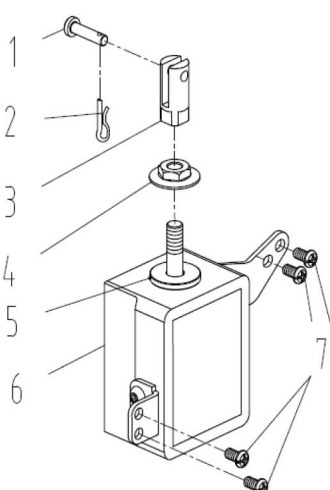
6



6. 剪线部件/Thread Trimmer Components

| 序号 NO | 公司件号 Part NO | 名称 PartName | 零件描述 Description | 数量 Number |
|-------|--------------|---------------------|------------------------------------|-----------|
| 1 | 113S15002 | 螺钉SM1/8"x44 L=9.5 | Screw SM1/8"x44 L=9.5 | 1 |
| 2 | 115019001 | 定刀 | Secant knife | 1 |
| 3 | 113819001 | 定刀(-HL) | Secant knife (-HL) | 1 |
| 4 | 113S17001 | 螺钉SM9/64"x40 | Screw SM9/64"x40 | 1 |
| 5 | 11312003 | 护针片 | Needle guard patch | 1 |
| 6 | 113812008 | 护针片(-HL) | Needle guard patch (-HL) | 1 |
| 7 | 201S11009 | 螺钉SM9/64"x40 L=5.5 | Screw SM9/64"x40 L=5.5 | 1 |
| 8 | 113S11001 | 螺钉SM11/64"x40 L=12 | Screw SM11/64"x40 L=12 | 2 |
| 9 | 10128003 | 牙架座螺钉垫圈 | Washer | 2 |
| 10 | 1381203100 | 刀架压板组件 | Knife bracket press component | 1 |
| 11 | 13812031 | 刀架压板 | Knife bracket press | 1 |
| 12 | 13803012 | 短套 | Short bushing | 2 |
| 13 | 113S17002 | 螺钉SM11/64"x40 L=4.4 | Screw SM11/64"x40 L=4.4 | 2 |
| 14 | 11319002 | 活动刀(薄料) | Moterial knife | 1 |
| 15 | 11319003 | 活动刀(厚料) | Moterial knife (H) | 1 |
| 16 | 113819003 | 活动刀(-HL) | Moterial knife (-HL) | 1 |
| 17 | 11307001 | 剪刀刀架 | Knife bracket | 1 |
| 18 | 113801001 | 剪刀刀架(-HL) | Knife bracket (-HL) | 1 |
| 19 | 113S20001 | 螺钉SM11/64"x40 | Hinge Screw SM11/64"x40 | 2 |
| 20 | 11312005 | 剪线连杆 | Connecting rod | 1 |
| 21 | 114S16004 | 螺母SM11/64"x40 | Nut SM11/64"x40 | 1 |
| 22 | 11304001 | 剪线驱动曲柄 | Crank | 1 |
| 23 | 113822014 | 驱动曲柄止动块 | Crank driver stopper block | 1 |
| 24 | S05004 | 螺钉M5 L=14 | Screw M5 L=14 | 1 |
| 25 | 11327001 | 剪线复位弹簧 | Spring | 1 |
| 26 | 11230004 | 14孔接线器 | Plug | 1 |
| 27 | 11230005 | 电线插针 | Pin | 1 |
| 28 | 11303003 | 切线轴套 | Thread cutting shaft bushing | 1 |
| 29 | 14103003 | 切线轴套(-HL) | Thread cutting shaft bushing (-HL) | 1 |
| 30 | 11503005 | 驱动曲柄轴衬套 | Crank drive shaft bushing | 1 |
| 31 | 113S14020 | 螺钉SM11/64"x40 L=6 | Screw SM11/64"x40 L=6 | 1 |
| 32 | 11322002 | 扭簧端盖 | Spring cover | 1 |
| 33 | 11327002 | 弹簧 | Spring | 1 |
| 34 | 11304002 | 切线凸轮曲柄轴 | Crank shaft | 1 |
| 35 | 101S14001 | 螺钉SM1/4"x40 L=6 | Screw SM1/4"x40 L=6 | 1 |
| 36 | 116S14005 | 螺钉SM1/4"x40 L=10 | Screw SM1/4"x40 L=10 | 2 |
| 37 | 11309030 | 凸轮顶柱 | Push rod | 2 |
| 38 | 11310004 | 剪线凸轮 | Cam | 1 |
| 39 | 11310011 | 剪线凸轮(厚料) | Cam (H) | 1 |
| 40 | 11324001 | 滚柱 | Roolling pin | 1 |
| 41 | 1138NS16001 | 螺母SM11/64"x40 | Nut SM11/64"x40 | 1 |
| 42 | 1130400500 | 剪线驱动组件 | Thread trimmer drive asm. | 1 |
| 43 | 11302002 | 剪线驱动轴 | Shaft | 1 |
| 44 | 11322001 | 驱动曲柄止动块 | Positioning block | 1 |
| 45 | H05013 | GB/T896-1986挡圈6 | Snap ring 6 | 1 |
| 46 | 10112003 | 针杆曲柄护板 | Cunter weight protecting | 1 |
| 47 | 11322003 | 电磁铁缓冲垫 | Solenoid cushion rubber | 1 |
| 48 | 11309001 | 切线电磁铁顶销 | Solenoid pin | 1 |
| 49 | 101S11026 | 螺钉SM15/64"x28 L=9 | Screw SM15/64"x28 L=9 | 1 |
| 50 | 11312006 | 切线磁铁支架 | Solenoid bracket | 1 |
| 51 | N01005 | 螺母M4 | Nut M4 | 2 |
| 52 | W02018 | GB/T93-1987 弹簧垫圈4 | Washer 4 | 2 |
| 53 | 112S16006 | 螺母SM1/4"x40 | Nut SM1/4"x40 | 1 |
| 54 | 113822005 | 垫圈 | Washer | 1 |
| 55 | 11503000400 | 剪线电磁铁组件 | Thread trimmer solenoid asm. | 1 |
| 56 | 11327003 | 弹簧 | Spring | 1 |
| 57 | 115012004 | 松线座 | Thread release bed | 1 |
| 58 | 113S20002 | 螺钉SM1/4"x28 | Screw SM1/4"x28 | 1 |

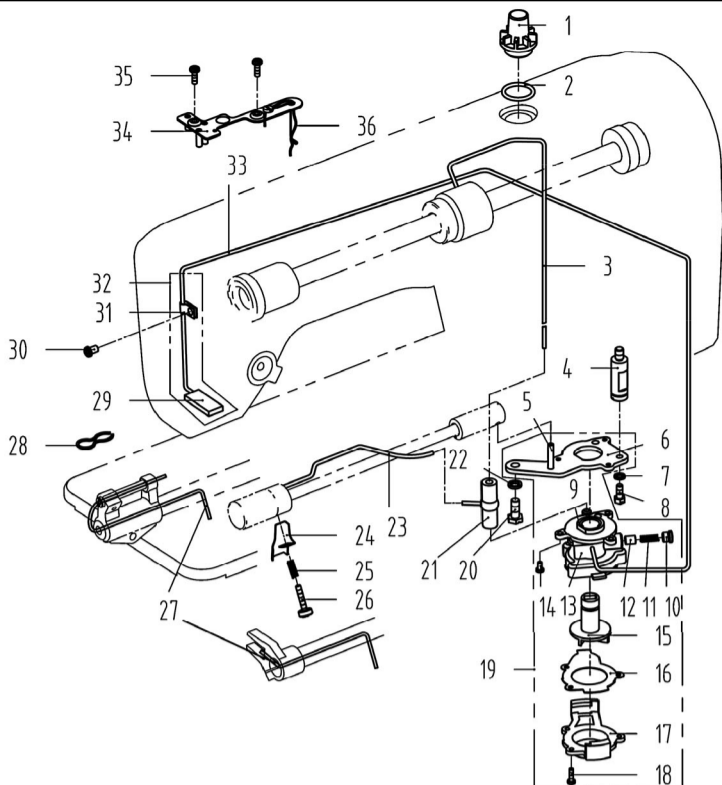
7



7. 自动抬压脚部件/Auto Lifter Components

| 序号 NO | 公司件号 Part NO | 名称 PartName | 零件描述 Description | 数量 Number |
|-------|--------------|------------------|----------------------|-----------|
| 1 | 11326005 | 销子 | Pin | 1 |
| 2 | 113829001 | R形弹性开口销φ1.5 | Cotter pin | 1 |
| 3 | 11326006 | 电磁铁接头 | Solenoid connector | 1 |
| 4 | 113S16004 | 法兰螺母M8 | Flange nuts M8 | 1 |
| 5 | 11322008 | 电磁铁上垫片 | washer | 1 |
| 6 | 11493000600 | 电磁铁组件(厚料) | Solenoid asm (H) | 1 |
| 7 | 101S11001 | 螺钉SM3/16"x28 L=9 | screw SM3/16"x28 L=9 | 4 |

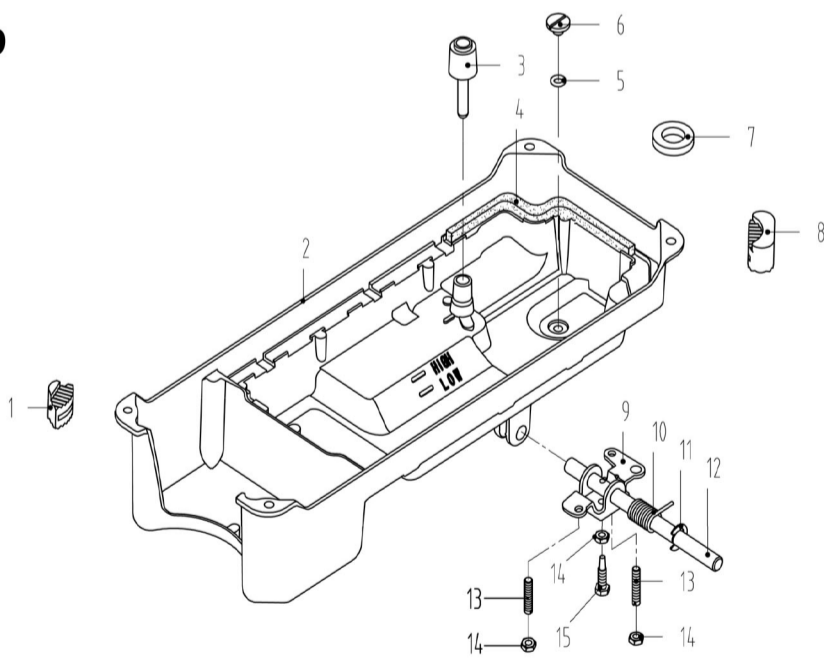
8



8. 润滑部件/Oil Lubrication Components

| 序号 NO | 公司件号 Part NO | 名称 PartName | 零件描述 Description | 数量 Number |
|-------|--------------|----------------------|-----------------------------------|-----------|
| 1 | 11211004 | 油窗 | Oil sight window | 1 |
| 2 | 10122019 | 油窗O形圈 | Rubber ring | 1 |
| 3 | 14121001 | 上轴供油管 | Main shaft oil tube | 1 |
| 4 | 101S30008 | 油泵连接螺柱 | Oil pump connecting stud | 1 |
| 5 | 10121001 | 供油管 | Hook oil tube | 1 |
| 6 | 10112020 | 油泵安装板 | Oil pump installing base | 1 |
| 7 | W03002 | 弹簧垫圈 5 | Spring washer 5 | 1 |
| 8 | 209S12001 | 螺钉SM11/64*×40 L=10.5 | Screw SM11/64*×40 L=10.5 | 1 |
| 9 | 10103022 | 油泵体衬套 | Oil pump bushing | 1 |
| 10 | 101S30007 | 柱塞螺钉 | Plunger Screw | 1 |
| 11 | 10127013 | 柱塞簧 | Plunger spring | 1 |
| 12 | 10122018 | 回油柱塞 | Plunger | 1 |
| 13 | 10120001 | 油泵体 | Oil pump | 1 |
| 14 | S04093 | 油泵螺钉M3 L=6 | Screw M3 L=6 | 3 |
| 15 | 10111003 | 油泵叶轮 | Oil pump impeller | 1 |
| 16 | 10112021 | 油泵叶轮托板 | Oil pump impeller cover | 1 |
| 17 | 10111007 | 油泵盖 | Lubricating oil pump cover | 1 |
| 18 | 101S30006 | 螺钉ST2.9 L=10 | Screw ST2.9 L=10 | 3 |
| 19 | 1012000100 | 油泵分部件 | Lubricating oil pump component | 1 |
| 20 | 116S30003 | 螺钉SM15/64*×28 L=14.5 | Screw SM15/64*×28 L=14.5 | 1 |
| 21 | 10136001 | 供油管接头 | Rubber joint | 1 |
| 22 | W02004 | GB/T93-1987弹垫M6 | Spring Washer M6 | 1 |
| 23 | 13821015 | 旋梭供油管 | Hook driving shaft oil tube | 1 |
| 24 | 113821001 | 旋梭供油管(-HL) | Hook driving shaft oil tube (-HL) | 1 |
| 25 | 11312031 | 挡油罩 | Oil shield cover | 1 |
| 26 | 13827014 | 油量调节螺钉弹簧 | Spring | 1 |
| 27 | 113S30001 | 螺钉SM11/64×40 L=19 | Screw SM11/64×40 L=19 | 1 |
| 28 | 10423005 | 油线 | Oil wick | 1 |
| 29 | 10127015 | 回油毡夹 | Oil felt clamp | 1 |
| 30 | 10123006 | 回油毡 | Oil felt felt | 1 |
| 31 | 101S11004 | 螺钉SM3/16*×28 L=7 | Screw SM3/16*×28 L=7 | 1 |
| 32 | 10112023 | 回油管夹 | Oil tube clamp | 1 |
| 33 | 11502100100 | 回油管部件 | Oil return tube component | 1 |
| 34 | 115021002 | 回油管 | Oil return tube | 1 |
| 35 | 10112025 | 油线固定板 | Oil wick fixing plate | 1 |
| 36 | 101S11010 | 螺钉SM9/64*×40 L=11 | Screw SM9/64*×40 L=11 | 2 |
| 36 | 10123010 | 油线 | Oil wick | 1 |

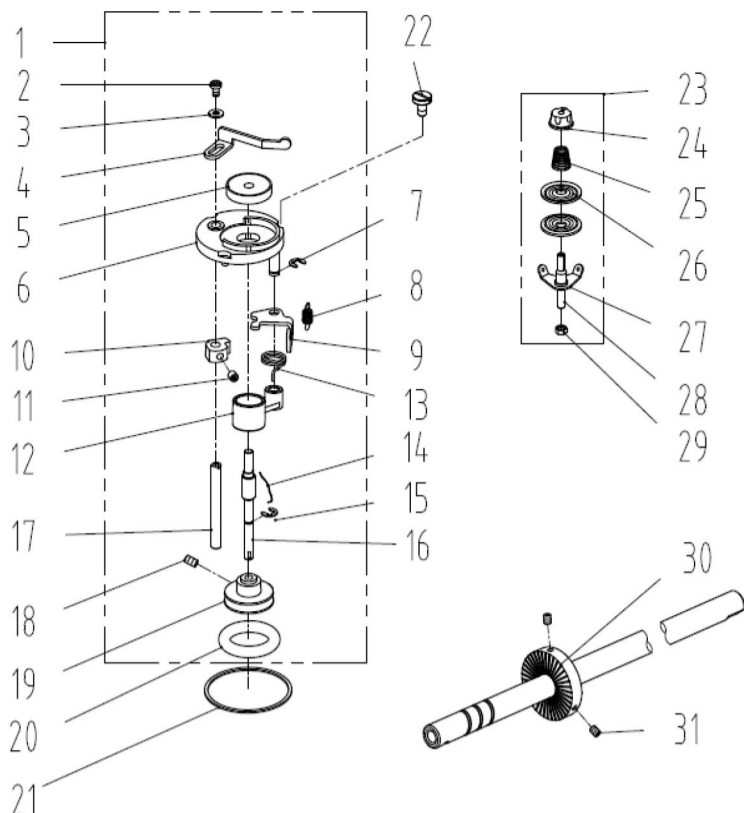
9



9. 油盘、膝抬压脚分组件/Oil Reservoir & Knee Lifter Components

| 序号 NO | 公司件号 Part NO | 名称 PartName | 零件描述 Description | 数量 Number |
|-------|--------------|------------------|------------------------------|-----------|
| 1 | 10122022 | 油盘座垫 | Oil reservoir rubber cushion | 2 |
| 2 | 13801020 | 油盘 | Oil Reservoir | 1 |
| 3 | 10111005 | 抬压脚顶杆 | Knee lifter push rod | 1 |
| 4 | 10122020 | 油盘垫 | Oil Reservoir gasket | 1 |
| 5 | 10122021 | O型圈 | Rubber ring | 1 |
| 6 | 101S11028 | 螺钉SM5/16*×24 L=7 | Screw SM5/16*×24 L=7 | 1 |
| 7 | 10131001 | 油盘磁铁 | Oil reservoir magnet | 1 |
| 8 | 10122023 | 油盘支架 | Oil reservoir rubber cushion | 2 |
| 9 | 10112027 | 抬压脚双向曲柄 | Knee lifter crank | 1 |
| 10 | 10127016 | 双向曲柄扭簧 | Knee lifter spring | 1 |
| 11 | H05010 | GB/T896-1986挡圈9 | Snap ring 9 | 1 |
| 12 | 10102011 | 抬压脚轴 | Knee lifter shaft | 1 |
| 13 | 101S15012 | 螺钉TM6 L=30 | Screw M6 L=30 | 2 |
| 14 | 101S16004 | 螺母M6 L=4 | Nut M6 L=4 | 3 |
| 15 | 101S12002 | 螺钉TM6 L=26 | Screw M6 L=26 | 1 |

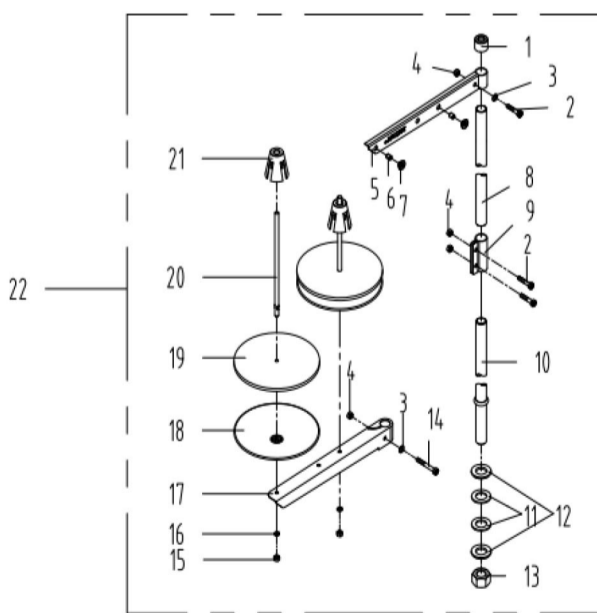
10



10. 绕线部件/ Winding Components

| 序号 NO | 公司件号 Part NO | 名称 PartName | 零件描述 Description | 数量 Number |
|-------|---------------|-------------------|------------------------------|-----------|
| 1 | 1383103900 | 绕线器组件 | Bobbin winder asm | 1 |
| 2 | 114S11008 | 螺钉M4 L=6 | Screw M4 L=6 | 1 |
| 3 | W01142 | 垫圈4 | Washer 4 | 1 |
| 4 | 10113030 | 压线控制板 | Thread press control plate | 1 |
| 5 | 10111120 | 绕线衬垫 | Winding pad | 1 |
| 6 | 13831101 | 绕线器装置主座 | Bobbin winder bed | 1 |
| 7 | H05006 | 开口挡圈5 | Snap ring 5 | 1 |
| 8 | 10127061 | 复位板拉簧 | Spring | 1 |
| 9 | 13812110 | 调节板 | Regulating plate | 1 |
| 10 | 10110030 | 绕线凸轮 | Bobbin winder cam | 1 |
| 11 | S09045 | 螺钉M5 L=5 | Screw M5 L=5 | 1 |
| 12 | 1380510600 | 绕线器连杆组件 | Bobbin winder connecting rod | 1 |
| 13 | 13827103 | 满线复位簧 | spring | 1 |
| 14 | 10127060 | 弹簧 | Spring | 1 |
| 15 | GB/T 896-1986 | 开口挡圈4 | Snap ring 4 | 1 |
| 16 | 13802111 | 绕线器主轴 | Bobbin winder main shaft | 1 |
| 17 | 13802026 | 绕线凸轮轴 | Bobbin winder cam shaft | 1 |
| 18 | S09103 | 螺钉M4 L=4 | Screw M4 L=4 | 2 |
| 19 | 13831102 | 绕线轮 | Bobbin winder wheel | 1 |
| 20 | O01110 | O型圈 | Ring | 1 |
| 21 | 11422062 | 密封垫 | Washer | 1 |
| 22 | 114S11003 | 螺钉SM3/16"×28 L=10 | Screw SM3/16"×28 L=10 | 3 |
| 23 | 1411300600 | 底线夹线器 | Bobbin thread tension asm | 1 |
| 24 | 141S16019 | 夹线螺母 | Thread tension nut | 1 |
| 25 | 11427006 | 小夹线弹簧 | Spring | 1 |
| 26 | 14112015 | 夹线板 | Thread tension disk | 2 |
| 27 | 11413022 | 夹线过线板 | Thread tension guide plate | 1 |
| 28 | 112S13004 | 夹线螺钉 | Screw | 1 |
| 29 | 114S16001 | 螺母SM11/64"×40 | Nut SM11/64"×40 | 1 |
| 30 | 11435013 | 绕线器驱动轮 | Driving wheel | 1 |
| 31 | S10009 | 螺钉M6 L=8 | Screw M6 L=8 | 2 |

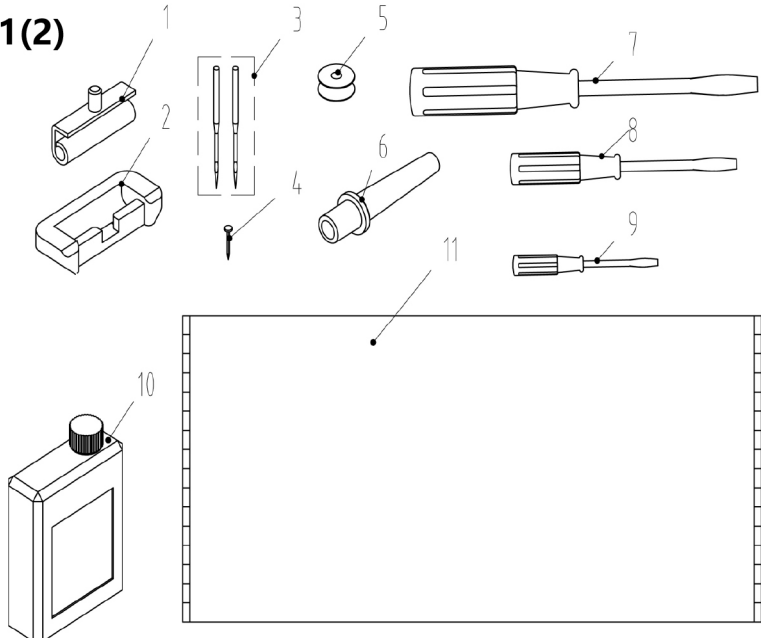
11(1)



11. 机头附件(1)-线架组件/Machine Head Accessories (1)-Thread Stand Components

| 序号 NO | 公司件号 Part NO | 名称 PartName | 零件描述 Description | 数量 Number |
|-------|--------------|-------------|--------------------------------------|-----------|
| 1 | 20131019 | 线架杆顶防护橡皮 | Spool rest rod rubber cap | 1 |
| 2 | S04050 | 螺栓M5 L=16 | Screw M5 L=16 | 3 |
| 3 | W01047 | 垫圈M5 | Washer M5 | 2 |
| 4 | N01034 | 螺母M5 | Nut M5 | 4 |
| 5 | 13831022 | 上线架过线杆 | Spool rest arm upper | 1 |
| 6 | 10113011 | 过线圈(内) | Thread guide ring | 2 |
| 7 | 10113010 | 过线圈(外) | Thread guide ring | 2 |
| 8 | 13831019 | 线架杆上节 | Spool rest rod upper | 1 |
| 9 | 13831021 | 线架杆接头 | Spool rest rod joint | 1 |
| 10 | 13831020 | 线架杆下节 | Spool rest rod lower | 1 |
| 11 | 10122106 | 橡胶垫圈 | Spool rest rod rubber ring | 2 |
| 12 | W01052 | 垫圈M16 | Washer M16 | 2 |
| 13 | N02008 | 螺母 M16 | Spool rest rod nut M16 | 1 |
| 14 | S04051 | 螺栓M5 L=31.6 | Spool rest arm lower screw M5 L=31.6 | 1 |
| 15 | N01034 | 螺母M5 | Nut M5 | 2 |
| 16 | W03002 | 弹簧垫圈 5 | Spring washer 5 | 2 |
| 17 | 13831023 | 下线架过线杆 | Spool rest arm lower | 1 |
| 18 | 13831024 | 线盘 | Spool rest | 2 |
| 19 | 20131010 | 线盘垫 | Spool rest cushion | 2 |
| 20 | 20131006 | 线盘钉 | Spool pin | 2 |
| 21 | 13831025 | 线团防松垫 | Spool retainer | 2 |
| 22 | 1383100300 | 线架组件 | Thread stand asm | 1 |

11(2)



11. 机头附件(2)/Machine Head Accessories (2)

| 序号 NO | 公司件号 Part NO | 名称 PartName | 零件描述 Description | 数量 Number |
|-------|--------------|----------------|--------------------------------|-----------|
| 1 | 1011203100 | 机头连接钩组件 | Hinge component | 2 |
| 2 | 10122060 | 机头连接钩座 | Head connecting rubber cushion | 2 |
| 3 | 10117001 | 机针DB×1 #14 | Needle DB×1 #14 | 4 |
| | 10117002 | 机针DP×5 #21(厚料) | Needle DP×5 #21 (H) | 4 |
| 4 | 101S30010 | 机头连接钩座钉P19 | Nail P19 | 6 |
| | 10118003 | 梭心 | Bobbin | 2 |
| 5 | 10818501 | 大梭心(-L) | Big Bobbin (-L) | 2 |
| | 13818002 | 梭芯(-P) | Big Bobbin (-P) | 10 |
| 6 | 115011003 | 机头支柱 | Machine head rest pin | 1 |
| 7 | 20731047 | 螺丝刀(大) | Screw driver (large) | 1 |
| 8 | 10131003 | 螺丝刀(中) | Screw driver (medium) | 1 |
| 9 | 10131004 | 螺丝刀(小) | Screw driver (small) | 1 |
| 10 | 1381101200 | 油箱组件 | Oiler component | 1 |
| 11 | 114131001 | 防尘罩 | Dust cover | 1 |

杰克缝纫机股份有限公司

杰克缝纫机
全球销量遥遥领先

公司地址(Address of Company):

中国浙江省台州市椒江区三甲东海大道东段1008号

NO.1008, DONGHAI AVENUE EAST, JIAOJIANG DISTRICT,TAIZHOU CITY, ZHEJIANG

邮编(Zip Code): 318000

国内销售部(Domestic Trade Department):

电话(TEL): 0086-0576-88177788 88177789

传真(FAX): 0086-0576-88177758

国贸销售部(International Trade Department):

电话(TEL): 0086-0576-88177782 88177774

传真(FAX): 0086-0576-88177787

服务热线: 400-8876858

http://www.chinajack.com

资料如有更改, 恕不另行通知, 以实物为准。

You will be not informed if the file has been revised.Please set sample as standard.

日期: 2020.12



请您扫下杰克服务号