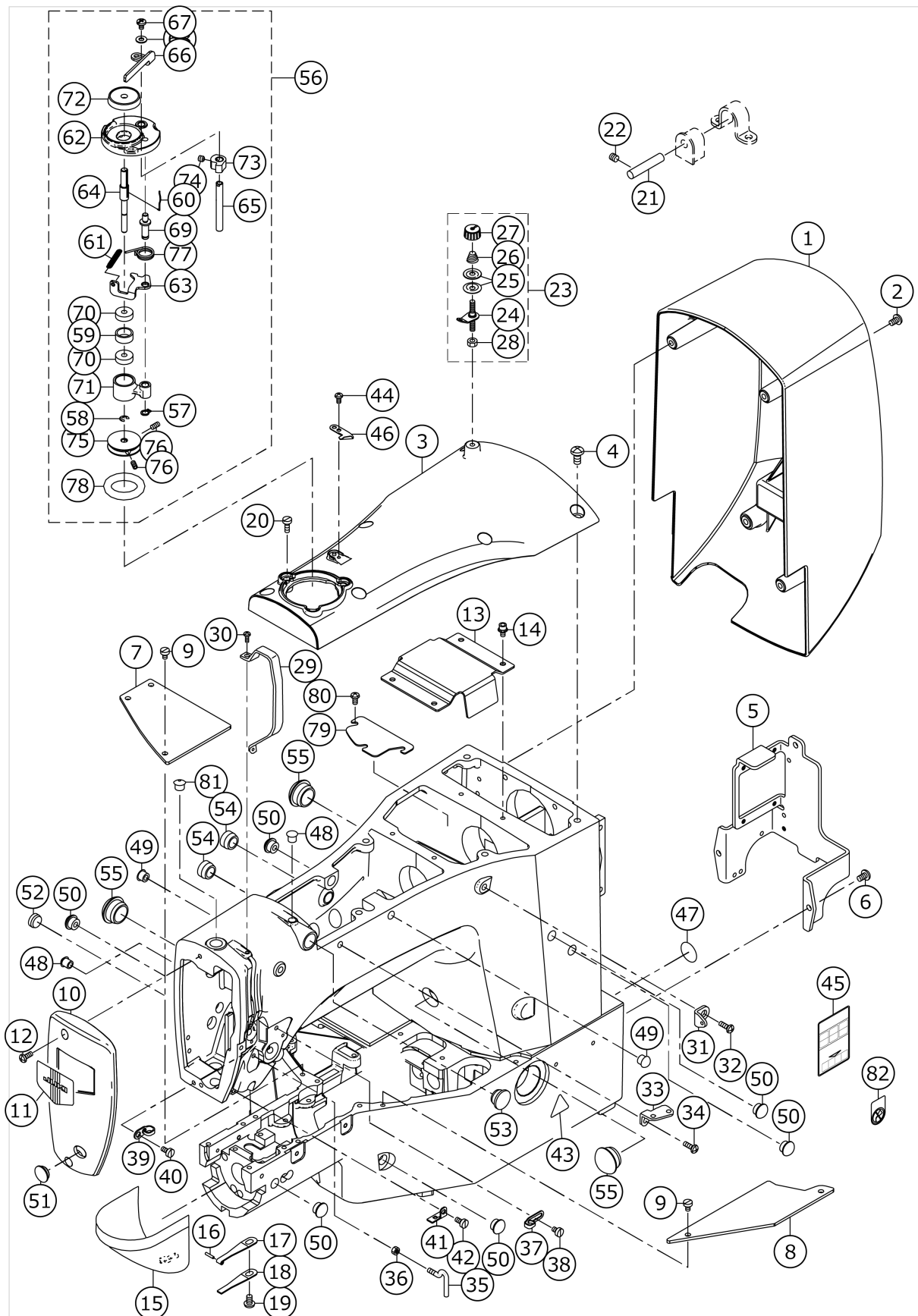


LK-1900A

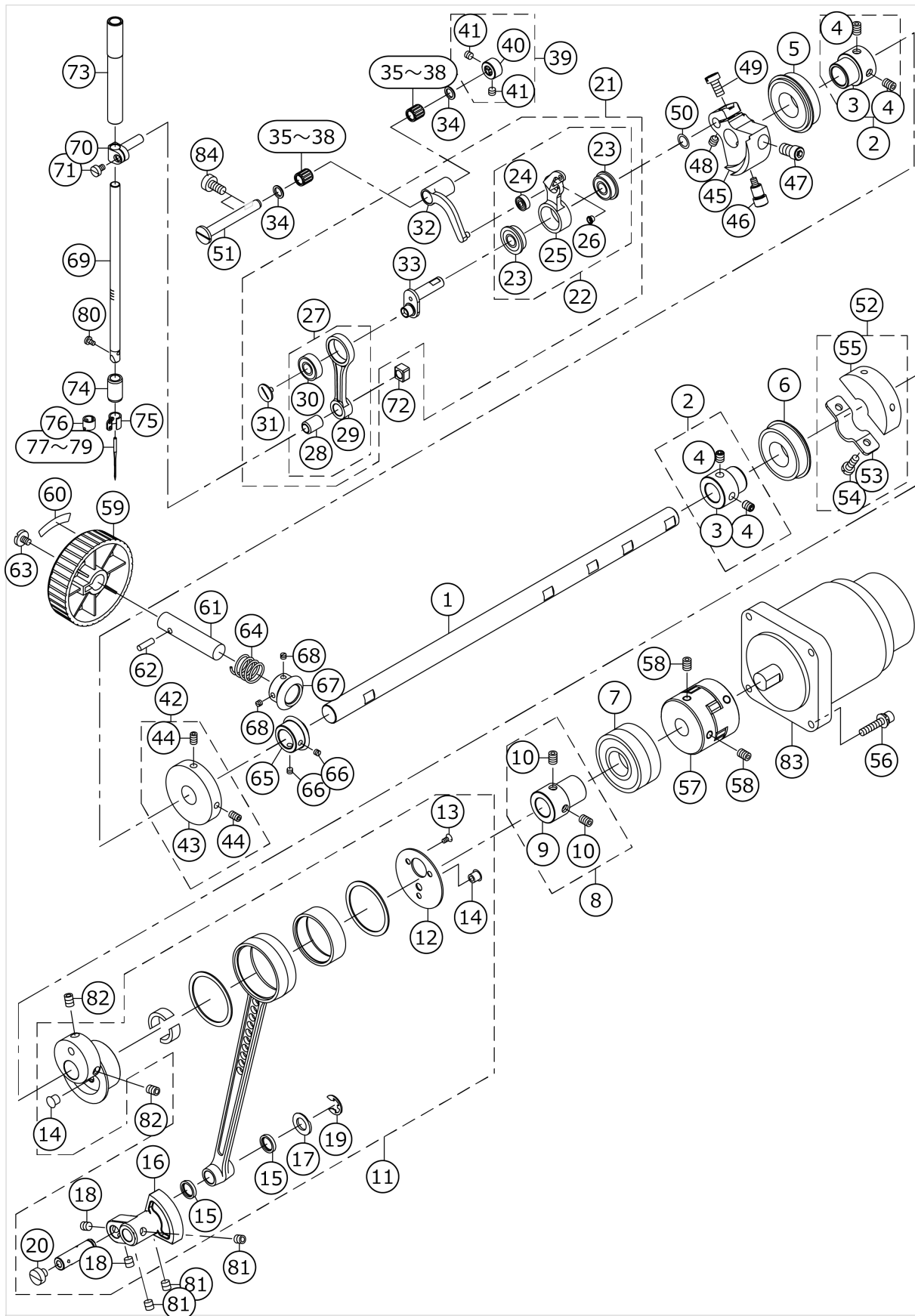
FRAME & MISCELLANEOUS COVER COMPONENTS



No.	品番	品名	備考	子部品	消耗品	個数
1	40006475	MOTOR COVER				1.00
2	SM5040855SN	SCREW				4.00
3	40006478	UPSIDE COVER				1.00
4	SM4061255SP	SCREW M6 L=12				6.00
5	40010404	PROTECTION_PLATE				1.00
6	SM4050855SP	SCREW				3.00
7	40006487	BED COVER LEFT				1.00
8	40006488	BED COVER RIGHT				1.00
9	SM6040650TP	SCREW M4 L=6				5.00
10	40006481	FACE COVER				1.00
11	22902506	FACE PLATE				1.00
12	SM4041055SP	SCREW				2.00
13	40010405	CRANK_ROD_COVER				1.00
14	SM5040855SN	SCREW				4.00
15	13816855	CYLINDER ARM CAP				1.00
16	13508700	HOOK COVER PRESSER SPRING PIN				1.00
17	13508809	HOOK COVER PRESSER SPRING A				1.00
18	13508908	HOOK COVER PRESSER SPRING B				1.00
19	SM5040855SN	SCREW				1.00
20	SM6041150TP	SCREW M4 L=11				3.00
21	B2707761000	HINGE STUD				2.00
22	SM8060612TP	SCREW M6 L=6				4.00
23	14113468	BOBBIN THREAD TENSION ASM.				1.00
24	14113450	BOBBIN THREAD TENSION ROD ASM.		*		1.00
25	B3126012000	THREAD TENSION DISK		*		2.00
26	D7133555B00	CONNECTING ROD SPRING		*		1.00
27	11072402	THREAD TENSION NUT		*		1.00
28	NS6110310SP	NUT 11/64-40		*		1.00
29	13816608	BALANCE COVER				1.00
30	SM4030855SN	SCREW M3 L=8.0				2.00
31	40010414	THREAD_GUIDE_NO.1				1.00
32	SM4061255SP	SCREW M6 L=12				1.00
33	B1111232000	THREAD GUIDE PLATE				1.00
34	SM4061255SP	SCREW M6 L=12				1.00
35	40010571	L_SHAPED_THREAD_GUIDE_A				1.00
36	NM6040000SN	NUT M4				1.00
37	22920508	ARM THREAD GUIDE A				1.00
38	SM6040650TP	SCREW M4 L=6				1.00
39	13705108	TAKE-UP THREAD GUIDE B				1.00
40	SM6040860TP	SCREW M4 L=8				1.00
41	B1129210000	FRAME THREAD GUIDE (B)				1.00
42	SM6040860TP	SCREW M4 L=8				1.00
43	CM300200002	CAUTION LABEL(25)				1.00
44	SM4030601SN	SCREW M3X6				1.00
45	CM301200001	SAFETY LABEL_S				1.00
46	10502300	THREAD CUTTER				1.00
47	10004109	GROUND MARK				1.00
48	TA0750704R0	RUBBER PLUG				2.00
49	TA0850604R0	RUBBER PLUG				2.00
50	TA1050504R0	RUBBER PLUG				6.00

51	TA1250406R0	RUBBER PLUG D=12.5 L=4				1.00
52	TA1270502R0	RUBBER PLUG				1.00
53	TA1470704R0	RUBBER PLUG				1.00
54	TA1550902R0	PLUG				2.00
55	TA2100904R0	RUBBER PLUG				3.00
56	26260000	BOBBIN WINDER UNIT				1.00
57	RC0560711KP	RETAINING RING		*		1.00
58	RE0400000K0	E-RING 4		*		1.00
59	26260802	BTW BEARING SPACER		*		1.00
60	26261602	BOBBIN SPRING		*		1.00
61	26261701	BTW SPRING		*		1.00
62	26260109	BTW BASE		*		1.00
63	26260208	BTW CAM PLATE		*		1.00
64	26260901	BTW SHAFT		*		1.00
65	26261008	BTW LEVER SHAFT		*		1.00
66	26261107	BTW LEVER		*		1.00
67	SM5040655SN	SCREW		*		1.00
68	WP0450826SC	WASHER 4.5X10X0.8		*		1.00
69	26260307	BTW BASE SHAFT		*		1.00
70	26261305	BTW BEARING		*		2.00
71	26260406	BTW SHAFT BASE		*		1.00
72	26261206	BTW SPACER		*		1.00
73	26260505	BTW CAM LEVER		*		1.00
74	SM8050502TP	SCREW M5 L=5		*		1.00
75	26260604	BTW WHEEL		*		1.00
76	SM8040802TP	SCREW M4X8		*		2.00
77	26260703	BTW TORSION SPRING		*		1.00
78	26261503	BTW WHEEL RUBBER		*		1.00
79	40011928	CRANK ROD UNDER COVER				1.00
80	SM5040855SN	SCREW				2.00
81	22901409	NEEDLE BAR UPPER BUSH CAP				1.00
82	CM100100001	OIL INJECTION PROHIBITION LABEL				1.00

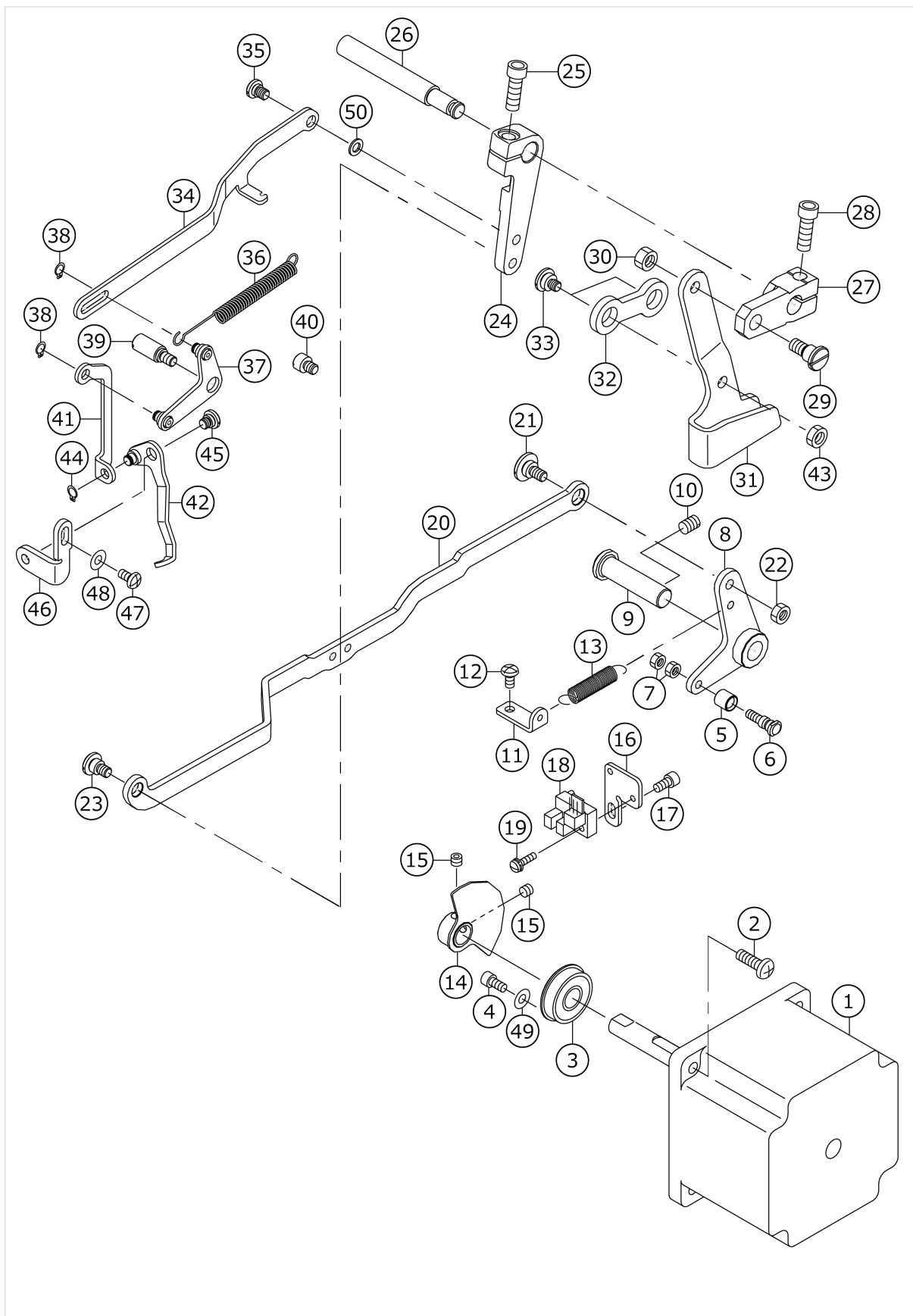
MAIM SHAFT & NEEDLE BAR COMPONENTS



No.	品番	品名	備考	子部品	消耗品	個数
1	40010572	MAIN SHAFT				1.00
2	40010415	BEARING_BUSH_A_ASM.				2.00
3	40010416	BEARING_BUSH_A		*		2.00
4	SM8060812TP	SCREW M6 L=8		*		4.00
5	SB120001800	BEARING				1.00
6	SB120001800	BEARING				1.00
7	SB120001700	BEARING				1.00
8	40010418	BEARING_BUSH_B_ASM.				1.00
9	40010419	BEARING_BUSH_B		*		1.00
10	SM8060812TP	SCREW M6 L=8		*		2.00
11	40031136	CRANK_ROD_ALL_ASM.				1.00
12	40010421	CRANK_ROD_SUPPORT_PLATE		*		1.00
13	SM1030601SP	SCREW M3 L=6		*		3.00
14	TA0670604R0	PLUG D=6.7 L=6		*		2.00
15	10108009	OIL SEAL		*		2.00
16	40006561	OSCILLATOR		*		1.00
17	40026818	WASHER		*		1.00
18	SM8480652TP	SCREW		*		2.00
19	RE0800000K0	E-SHAPED SNAP RING (8MM)		*		1.00
20	SM6060550TP	SCREW M6 L=4.5		*		1.00
21	40006529	THREAD TAKE UP COMPL.				1.00
22	40006530	THREAD TAKE UP LEVER ASM.		*		1.00
23	SB108002200	BEARING		*		2.00
24	SB104001600	BEARING		*		1.00
25	40006531	THREAD TAKE UP LEVER		*		1.00
26	B1908505000	THREAD PASS BUSH		*		1.00
27	40006534	NEEDLE BAR CRANK ROD ASM.		*		1.00
28	22891006	NEEDLE BAR CRANK ROD METAL		*		1.00
29	40006535	NEEDLE BAR CRANK ROD		*		1.00
30	SB108002300	BEARING		*		1.00
31	B1903552000	LEFT SCREW		*		1.00
32	40006532	THREAD TAKE UP CRANK		*		1.00
33	40006537	NEEDLE ROD CRANK		*		1.00
34	22891204	BEARING SUPPORT				2.00
35	SB30700020A	BEARING	SELECTIVE PARTS			2.00
36	SB30700020B	BEARING	SELECTIVE PARTS			2.00
37	SB30700020C	BEARING	SELECTIVE PARTS			2.00
38	SB30700020D	BEARING	SELECTIVE PARTS			2.00
39	40010434	THRUST_COLLAR_ASM.				1.00
40	40010435	THRUST_COLLAR		*		1.00
41	40010436	THRUST_COLLAR_SCREW		*		2.00
42	40010533	BTW_DRIVING_WHEEL_ASM.				1.00
43	40010534	BTW_DRIVING_WHEEL		*		1.00
44	40010533	BTW_DRIVING_WHEEL_ASM.		*		2.00
45	40010423	COUNTER_WEIGHT				1.00
46	40006517	COUNTER_WEIGHT SCREW A				1.00

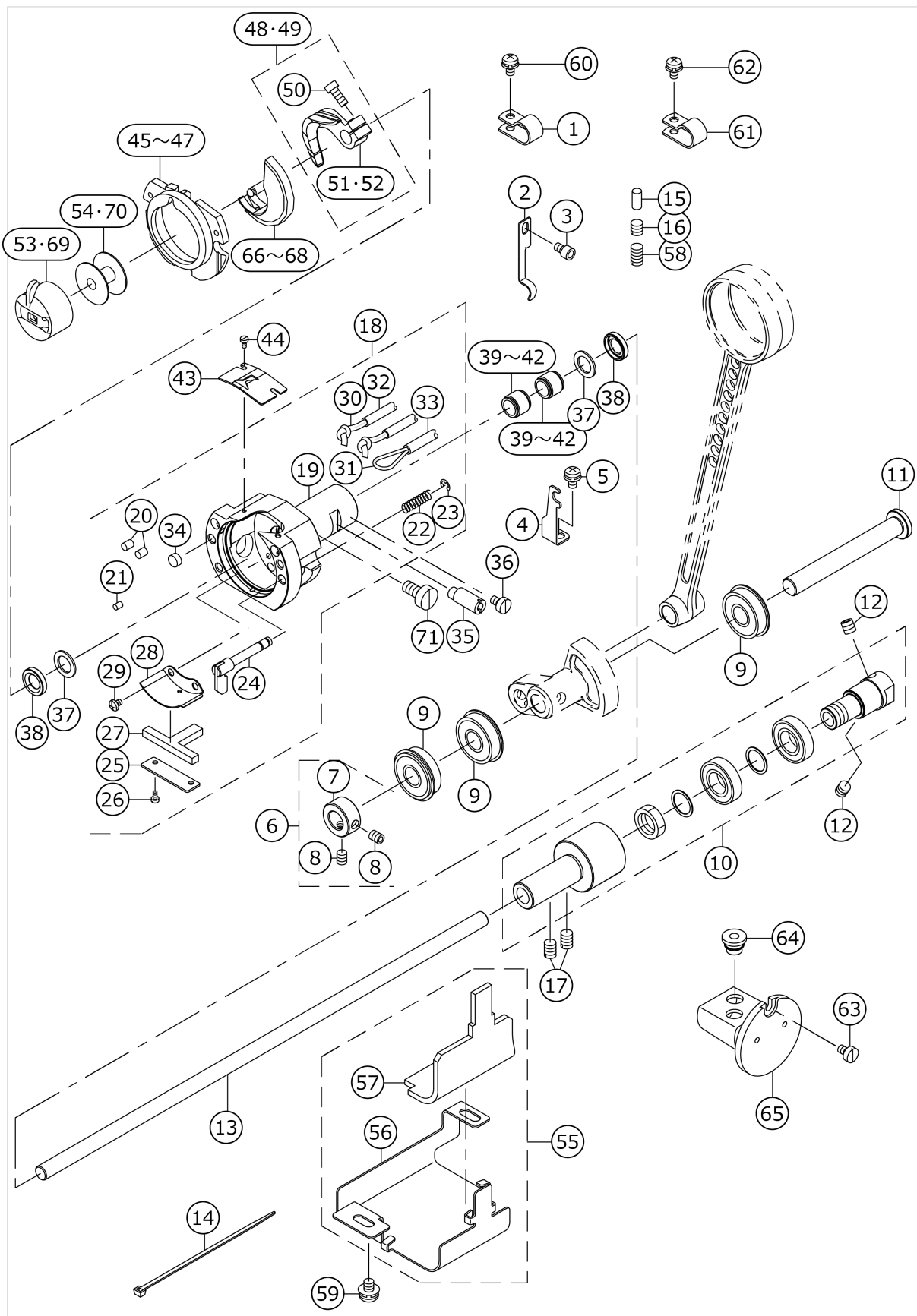
47	SM6081252TP	BOLT M8 L=12				1.00
48	SM8480652TP	SCREW M6X0.75 L=6				1.00
49	SM6061200SP	SCREW				1.00
50	WP0820516SP	WASHER 11.6X8.2X0.6				1.00
51	40011902	THREAD_TAKE_UP_CRANK_SHAFT				1.00
52	40010437	CRANK_BALANCER_ASM.				1.00
53	40010439	CRANK_BALANCER_FIX_PLATE		*		1.00
54	40010440	CRANK_BALANCER_FIX_PLATE_SCREW		*		2.00
55	40010438	CRANK_BALANCER		*		1.00
56	SL6052592TN	BOLT				4.00
57	23604309	COUPLING				1.00
58	SM8060812TP	SCREW M6 L=8				4.00
59	B1212210D00	PULLEY				1.00
60	B1144210000	REVOLVING DIRECTION LABEL				1.00
61	26500306	HAND PULLEY SHAFT				1.00
62	PS0400142KH	SPRING PIN 4X14				1.00
63	A123050000A	SET-SCREW				1.00
64	GAF01007000	SPRING				1.00
65	40006515	GEAR A				1.00
66	SM8040310SS	SCREW M4 L=3				2.00
67	40006516	GEAR B				1.00
68	SM8040310SS	SCREW M4 L=3				2.00
69	40010573	NEEDLE BAR				1.00
70	B1411552000	NEEDLE BAR CLAMP				1.00
71	SS6090670TP	SCREW 9/64-40 L=6				1.00
72	B1414555000	SLIDE BLOCK				1.00
73	40010441	NEEDLE ROD METAL				1.00
74	40010442	NEEDLE ROD LOWER METAL				1.00
75	40010574	THREAD_GUIDE	EXCEPT LK-1900AH,AW			1.00
76	D1405L7AM00	NEEDLE BAR THREAD GUIDE	FOR LK-1900AH,AW			1.00
77	MDP500B1100	NEEDLE DPX5 #11	FOR LK-1900AF,AM			1.00
78	MDP500B1400	NEEDLE DPX5 #14	FOR LK-1900AS			1.00
79	MDP170B2100	NEEDLE DPX17 #21	FOR LK-1900AH,AW			1.00
80	SM7030550TP	SCREW M3 L=4.5				1.00
81	SM8480652TP	SCREW M6X0.75 L=6				3.00
82	SM8060812TP	SCREW M6 L=8				2.00
83	40028015	AC SERVO MOTOR				1.00
84	SM6061250TP	SCREW M6 L=12				2.00

PRESSER LIFTER & WIPER COMPONENTS



No.	品番	品名	備考	子部品	消耗品	個数
1	40029903	PRESSER LIFTING MOTOR				1.00
2	SM4051655SP	SCREW M5 L=16				4.00
3	SB110002400	BEARING				1.00
4	SM6040802TP	SCREW M4X0.7 L=8				1.00
5	23517501	NEEDLE CAM ROLLER A				1.00
6	40040256	CAM ROLLER SHAFT				1.00
7	NM6040001SP	NUT M4X0.7				2.00
8	40006661	LIFTER LINK A ASM.				1.00
9	40006716	THREAD TRIMMER SHAFT				1.00
10	SM8060812TP	SCREW M6 L=8				1.00
11	40023831	SPRING_RACK				1.00
12	SM4040855SP	SCREW				1.00
13	13515606	SPRING				1.00
14	40006666	SENSOR SLIT ASM.				1.00
15	SM8050402TP	SCREW				2.00
16	40010443	SENSOR_INSTALLING_BASE				1.00
17	SM6040802TP	SCREW M4X0.7 L=8				1.00
18	HD00057000A	PHOTO SENSOR				1.00
19	SL4031291SC	SCREW M3X12				1.00
20	40006665	LIFTER LINK B				1.00
21	SD0800327TP	HINGE SCREW D=8 H=3.2				1.00
22	NM6050001SP	NUT M5				1.00
23	SD0700406TP	HINGE SCREW D=7 H=4				1.00
24	40006671	CONNECTING ARM				1.00
25	SM6061802TP	SCREW M6 L=18				1.00
26	40083882	CONNECTING SHAFT				1.00
27	40008693	LOWERING ARM				1.00
28	SM6061802TP	SCREW M6 L=18				1.00
29	SD0790606TP	HINGE SCREW D=7.94 H=6				1.00
30	NM6060001CP	NUT M6				1.00
31	40006672	LOWERING FOOT				1.00
32	14104400	CONNECTING LINK				1.00
33	SD1000406TP	HINGE SCREW D=10 H=4				2.00
34	40006674	WIPER CONNECTING LINK				1.00
35	SD0600206TP	HINGE SCREW D=6 H=2				1.00
36	13509708	SPRING				1.00
37	40010451	WIPER_CONNECTING_ARM_ASM				1.00
38	RC0470611KP	RETAINING RING 4.7				2.00
39	40010455	WIPER_CONNECTING_LINK_SHAFT				1.00
40	40010457	WIPER_STOPPER				1.00
41	40010458	WIPER_CONNECTING_PLATE				1.00
42	40017202	WIPER C ASM.				1.00
43	NM6060003SC	NUT M6				1.00
44	RC0470611KP	RETAINING RING 4.7				1.00
45	SD0640216TP	HINGE SCREW D=6.35 H=2.1				1.00
46	40006678	WIPER BASE PLATE				1.00
47	SM4040855SP	SCREW				1.00
48	WP0450801SP	WASHER				1.00
49	WP0450801SP	WASHER				1.00
50	WP0480856SP	WASHER 4.8X8.4X0.8				1.00

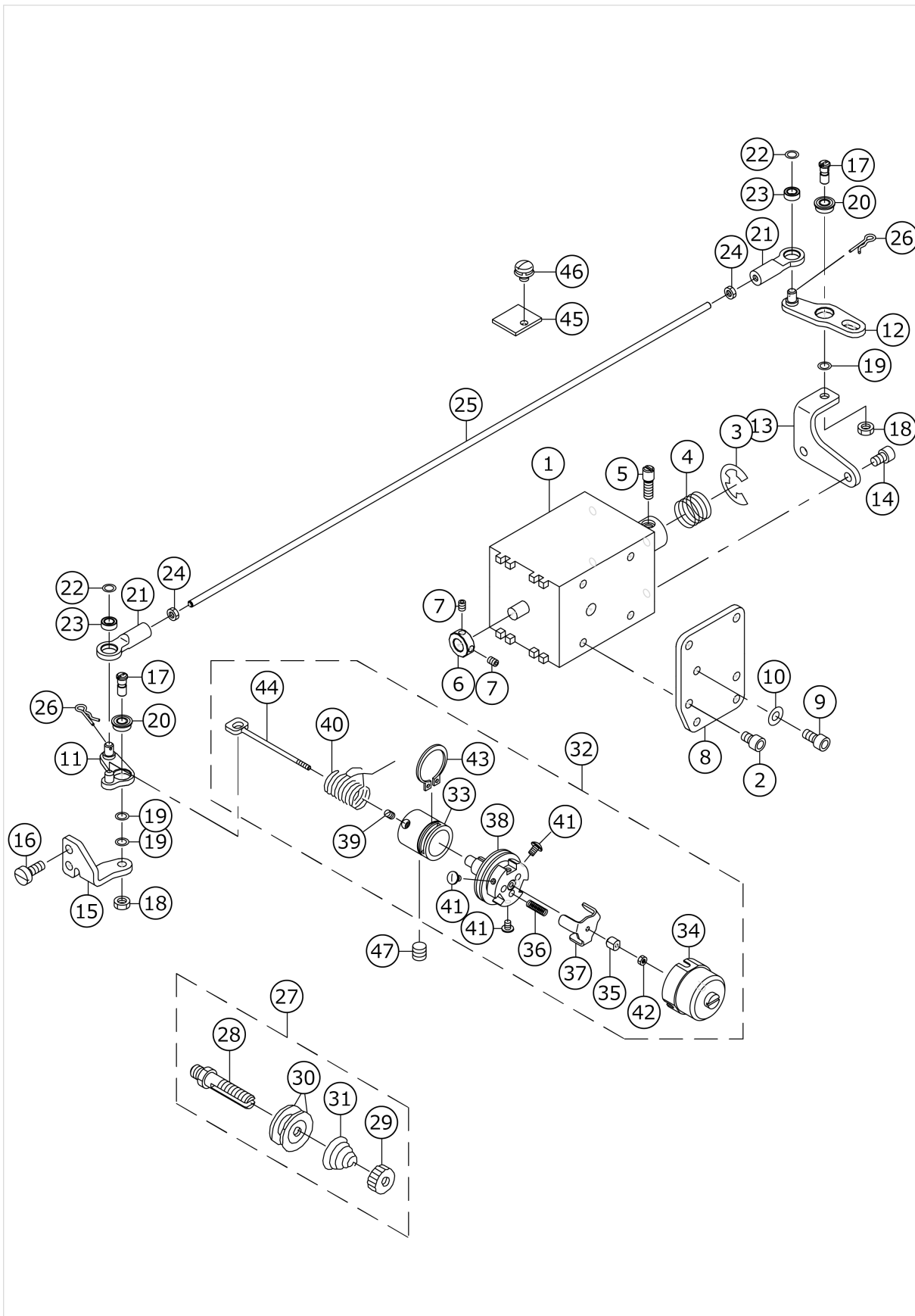
SHUTTLE DRIVER SHAFT COMPONENTS



No.	品番	品名	備考	子部品	消耗品	個数
1	HX00150000D	CABLE CLIP				1.00
2	40012127	OIL_PIPE HOLDER				1.00
3	SM6040602TP	SCREW M4 L=6				1.00
4	40013721	TUBE_CLAMP				1.00
5	SL4040891SC	SCREW M4 L=8				1.00
6	40010464	THRUST_COLLAR_ASM.				1.00
7	40010467	THRUST_COLLAR		*		1.00
8	40010469	THRUST_COLLAR_SCREW		*		2.00
9	SB110002400	BEARING				3.00
10	40016077	LOWER_SHAFT_GEAR_ASM.				1.00
11	40006563	OSCILLATOR SHAFT				1.00
12	SM8060612TP	SCREW M6 L=6				2.00
13	40010575	LOWER SHAFT				1.00
14	EA9500B0100	CABLE BAND				2.00
15	40006578	OIL WICK PRESSER				1.00
16	SM8060610TP	SCREW				1.00
17	SM8060812TP	SCREW M6 L=8				2.00
18	40006573	SHUTTLE_ASM.				1.00
19	40089365	SHUTTLE		*		1.00
20	B1820210D00	SHUTTLE OIL FELT,A		*		2.00
21	B1821210D00	SHUTTLE OIL FELT,B		*		1.00
22	B1822215P00	INNER HOOK PRESSER SPRING		*		2.00
23	RE0300000K0	E-RING 3		*		2.00
24	26501858	INNER-HOOK-PRESSER_ASM.		*		2.00
25	14104004	ONCE THROUGH OIL FELT PRESSER		*		1.00
26	SM6020460TP	SCREW M2 L=3.5		*		2.00
27	14103907	SHUTTLE ONCE THROUGH OIL FELT		*		1.00
28	40006577	SHUTTLE LUBRICATING PLATE		*		1.00
29	SM4030455SP	SCREW		*		2.00
30	CQ200000000	OIL WICK		*		2.60
31	CQ200000000	OIL WICK		*		1.40
32	23630007	TUBE		*		1.00
33	23630007	TUBE		*		0.60
34	13529607	SHUTTLE PACKING		*		2.00
35	40010471	SHUTTLE_RACE_ADJUSTING_SHAFT				1.00
36	SM6040650TP	SCREW M4 L=6				1.00
37	40006575	SHUTTLE BEARING RING				2.00
38	40006576	SHUTTLE OIL SEAL				2.00
39	SB30800100A	BEARING	SELECTIVE PARTS			2.00
40	SB30800100B	BEARING	SELECTIVE PARTS			2.00
41	SB30800100C	BEARING	SELECTIVE PARTS			2.00
42	SB30800100D	BEARING	SELECTIVE PARTS			2.00
43	B1815210000	INNER HOOK UPPER SPRING				1.00
44	SM6020460TP	SCREW M2 L=3.5				2.00
45	14103253	INNER HOOK PRESSER_ASM., A	FOR LK-1900AF,AM			1.00

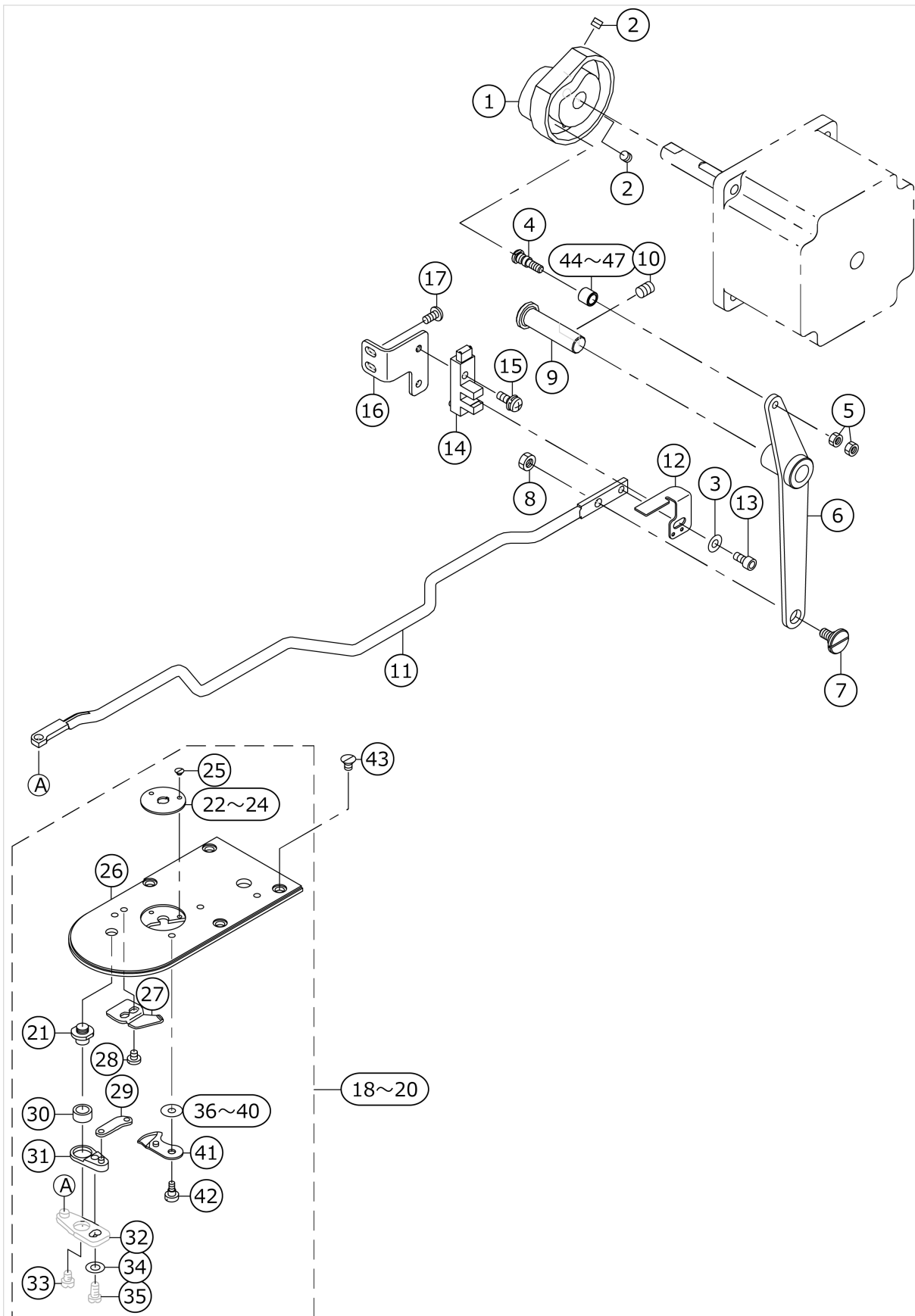
46	14103352	INNER HOOK PRESSER ASM., B	FOR LK-1900AS			1.00
47	14103659	SHUTTLE RACE RING ASM.,C	FOR LK-1900AH,AW			1.00
48	40011512	DRIVER_ASM.	EXCEPT LK-1900AW			1.00
49	40014963	SHUTTLE DRIVER ASM.	FOR LK-1900AW			1.00
50	SS6121212TP	SCREW 3/16-28 L=12.0		*		1.00
51	40011511	SHUTTLE_DRIVER	EXCEPT LK-1900AW	*		1.00
52	40010879	SHUTTLE DRIVER	FOR LK-1900AW	*		1.00
53	B18289800BB	BOBBIN CASE ASM. (RACING PREVE)	EXCEPT LK-1900AW			1.00
54	13812102	BOBBIN	EXCEPT LK-1900AW			1.00
55	40010473	LOWER_SHAFT_GEAR_COVER_ASM.				1.00
56	40010474	LOWER_SHAFT_GEAR_COVER		*		1.00
57	40010475	LOWER_SHAFT_GEAR_FELT		*		1.00
58	SM8061050TP	SCREW				1.00
59	SL4040891SC	SCREW M4 L=8				2.00
60	SL4040891SC	SCREW M4 L=8				1.00
61	HX00150000B	CABLE CLIP				2.00
62	SL4040891SC	SCREW M4 L=8				2.00
63	SM6040650TP	SCREW M4 L=6				1.00
64	40006840	RUBBER BUSH				2.00
65	40006836	OIL TANK ASM.				1.00
66	40006580	SHUTTLE	EXCEPT LK-1900AH,AW			1.00
67	40006581	SHUTTLE (H)	FOR LK-1900AH			1.00
68	40014965	SHUTTLE(H)	FOR LK-1900AW			1.00
69	B1828210DAA	BOBBIN CASE ASM.	FOR LK-1900AW			1.00
70	B1806210D00	BOBBIN	FOR LK-1900AW			1.00
71	40010470	SHUTTLE_ASM_SCREW				1.00

THREAD TENSION COMPONENTS



No.	品番	品名	備考	子部品	消耗品	個数
1	40006628	AT SOLENOID				1.00
2	SM6040602TP	SCREW M4 L=6				4.00
3	RE0900000K0	E-RING 9				1.00
4	40006625	SPRING				1.00
5	40006617	AT SOL PIN				1.00
6	40010477	AT_SOL_COLLAR				1.00
7	SM8030412TP	SCREW				2.00
8	40010479	AT_PLATE				1.00
9	SM6040802TN	SCREW				2.00
10	WP0430801SC	WASHER 4.3X9X0.8				2.00
11	40010482	AT_DRIVE_LINK(F)_ASM				1.00
12	40010492	AT_DRIVE_LINK(R)_ASM				1.00
13	40010495	AT_PIVOT_BASE(R)				1.00
14	SM6040602TP	SCREW M4 L=6				2.00
15	40010486	AT_PIVOT_BASE(F)				1.00
16	SM6041050TP	SCREW M4 L=10				2.00
17	40010487	AT_PIVOT_SCREW				2.00
18	NM6040003SC	NUT M4				2.00
19	WP0400516UZ	PLAIN WASHER				3.00
20	40010490	AT_PIVOT_BEARING				2.00
21	40010497	AT_JOINT				2.00
22	WP0400516UZ	PLAIN WASHER				2.00
23	40010498	AT_JOINT_BEARING				2.00
24	NM6030003SC	NUT M3				2.00
25	40010500	AT_CONNECTION_BAR				1.00
26	40006622	AT SNAP PIN				2.00
27	40010503	THREAD_TENSION_1_ASM				1.00
28	40010504	THREAD_TENSION_SHAFT		*		1.00
29	22928808	NUT		*		1.00
30	22921506	THREAD TENSION DISK		*		2.00
31	26218602	FIRST_THREAD_TENSION_SPRING		*		1.00
32	40010508	THREAD_TENSION_2_ASM				1.00
33	40010510	THREAD_TENSION_POST_BASE		*		1.00
34	40010511	DISK_STOPPER HOLDER_CAP		*		1.00
35	40010512	THREAD_TENSION_SHAFT_COLLAR		*		1.00
36	40010513	DISK_STOPPER_SP		*		3.00
37	40010514	DISK_STOPPER		*		1.00
38	40010515	ASSY_THREAD_TENSION_POST		*		1.00
39	40010478	AT_SOL_COLLAR_SCREW		*		1.00
40	22921605	THREAD TAKE-UP SPRING		*		1.00
41	40010521	HOLD_CAP_SCREW		*		3.00
42	40010522	SHAFT_NUT		*		1.00
43	40010523	POST_BASE_C_RING		*		1.00
44	40010509	THREAD_TENSION_SHAFT		*		1.00
45	40013967	AT-FELT				1.00
46	SL4040681SC	COMBINATION SCREW M4 X 8				1.00
47	SM8061612TP	SCREW M6X16				1.00

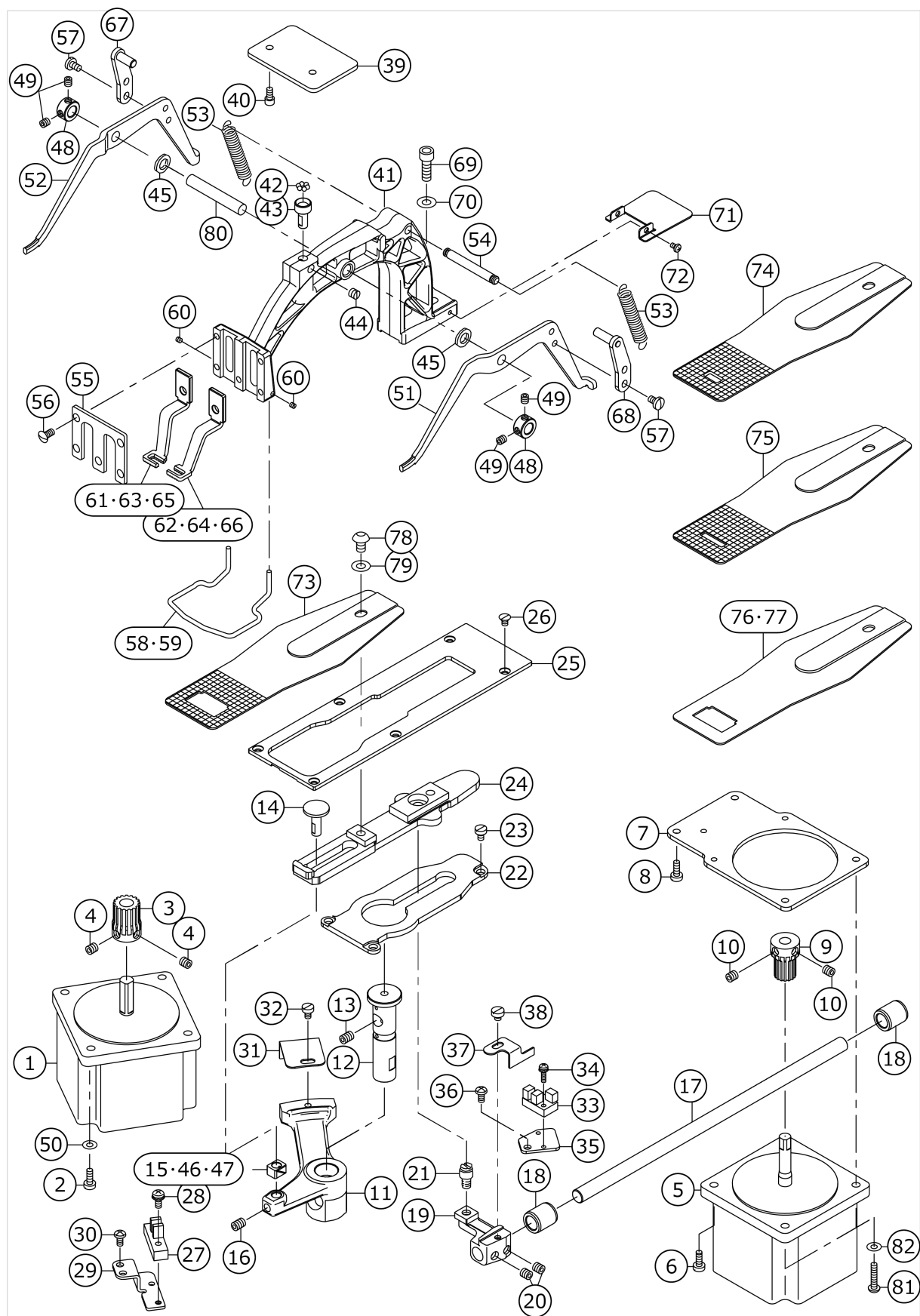
THREAD TRIMMER MECHANISM COMPONENTS



No.	品番	品名	備考	子部品	消耗品	個数
1	40006711	THREAD TRIMMER CAM				1.00
2	SM8050592TP	SCREW				2.00
3	WP0450801SP	WASHER				1.00
4	40040256	CAM ROLLER SHAFT				1.00
5	NM6040001SP	NUT M4X0.7				2.00
6	40006712	THREAD TRIMMER LINK ASM.				1.00
7	SD0800327TP	HINGE SCREW D=8 H=3.2				1.00
8	NM6050001SP	NUT M5				1.00
9	40006716	THREAD TRIMMER SHAFT				1.00
10	SM8060812TP	SCREW M6 L=8				1.00
11	40006717	CONNECTING BAR				1.00
12	40010525	THREAD_TRIMMER_SENSOR_SLIT				1.00
13	SM6040802TP	SCREW M4X0.7 L=8				1.00
14	HD002230000	PHOTO SENSOR				1.00
15	SL4041291SC	SCREW M4 L=12				1.00
16	40010526	THREAD_TRIMMER_SENSOR_BASE				1.00
17	SM4040855SP	SCREW				2.00
18	40006722	NEEDLE PLATE ASM.,A	FOR LK-1900AS			1.00
19	40006723	NEEDLE PLATE ASM.,H	FOR LK-1900AH,AW			1.00
20	40006724	NEEDLE PLATE ASM.,E	FOR LK-1900AF,AM			1.00
21	B2417280000	THREAD CUTTER LEVER SHAFT		*		1.00
22	B2426280000	NEEDLE HOLE GUIDE	FOR LK-1900AS	*		1.00
23	14109607	NEEDLE HOLE GUIDE	FOR LK-1900AH,AW	*		1.00
24	D2426282C00	NEEDLE HOLE GUIDE	FOR LK-1900AF,AM	*		1.00
25	SS1060210TP	SCREW 3/32-56 L=2.2		*		2.00
26	40006721	NEEDLE PLATE		*		1.00
27	B2424280000	FIXING KNIFE		*		1.00
28	SS7090410SP	SCREW 9/64-40 L= 3.5		*		2.00
29	B2418280000	MOVING KNIFE LINK		*		1.00
30	B2416280000	THREAD CUTTING LEVER RING		*		1.00
31	B24152800A0	THREAD CUTTER LEVER ASM.,SMALL		*		1.00
32	B24142800A0	THREAD CUTTER LEVER ASM.,LARGE		*		1.00
33	SS6110430TP	SCREW 11/64-40 L= 4.0		*		1.00
34	WP0450846SP	WASHER		*		1.00
35	SS7110740TP	SCREW 11/64-40 L=7		*		1.00
36	B242328000C	MOVING KNIFE WASHER C	SELECTIVE PARTS	*		1.00
37	B242328000A	MOVING KNIFE WASHER A	SELECTIVE PARTS	*		1.00
38	B242328000B	MOVING KNIFE WASHER B	SELECTIVE PARTS	*		1.00
39	B242328000D	MOVING KNIFE WASHER D	SELECTIVE PARTS	*		1.00
40	B242328000E	MOVING KNIFE WASHER E	SELECTIVE PARTS	*		1.00
41	B24212800A0	MOVING KNIFE ASM.		*		1.00

42	SD0500091TP	HINGE SCREW D= 5.0 H= 0.9		*		1.00
43	SM1040650TP	SCREW M4 L=6				4.00
44	26315606	NEEDLE CAM ROLLER A				1.00
45	26315705	NEEDLE CAM ROLLER B				1.00
46	26315804	NEEDLE CAM ROLLER C				1.00
47	26315903	NEEDLE CAM ROLLER D				1.00

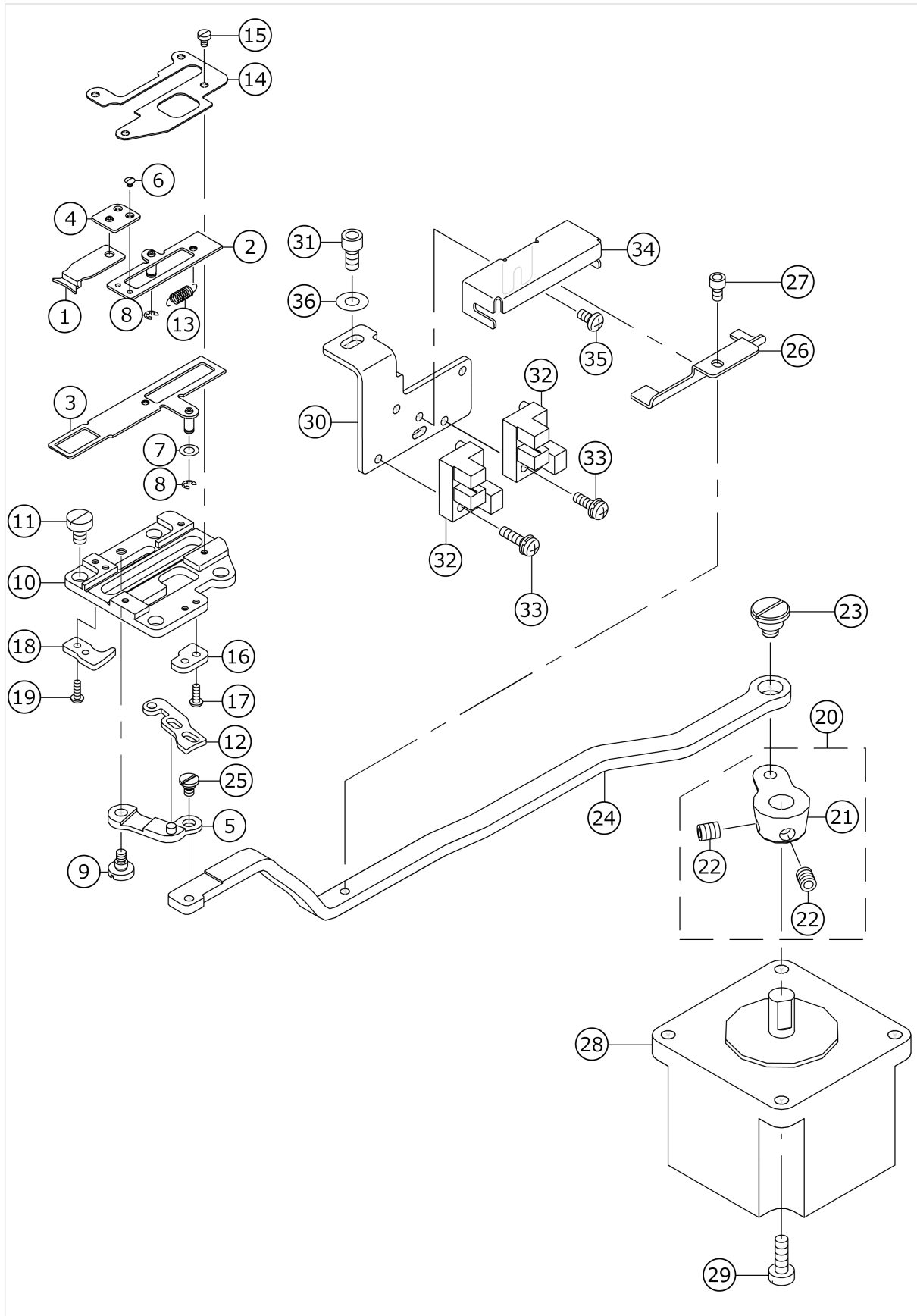
FEED MECHANISM COMPONENTS



No.	品番	品名	備考	子部品	消耗品	個数
1	40029901	X FEED MOTOR				1.00
2	SM4041655SP	SCREW M4 L=16				4.00
3	26501403	X FEED GEAR				1.00
4	SM8060602TP	SCREW M6X6				2.00
5	40029902	Y FEED MOTOR				1.00
6	SM6041150TP	SCREW M4 L=11				2.00
7	40010536	Y_FEED_MOTOR_BASE				1.00
8	SM6041150TP	SCREW M4 L=11				2.00
9	26501502	Y FEED GEAR				1.00
10	SM8060602TP	SCREW M6X6				2.00
11	40006736	CLOTH FEED ARM				1.00
12	13516208	FEED DRIVING ARM SHAFT				1.00
13	SM8060812TP	SCREW M6 L=8				1.00
14	26223305	SLIDE BLOCK STUD				1.00
15	B1414232000	SQUARE BLOCK				1.00
16	SM8060812TP	SCREW M6 L=8				1.00
17	40006738	Y FEED SHAFT				1.00
18	B2509704000	BUSHING, REAR				2.00
19	26500009	Y FEED ARM				1.00
20	SS8660612TP	SCREW 1/4-40 L=6				2.00
21	13517404	HINGE STUD				1.00
22	40006740	CLOTH FEED SUPPORT PLATE				1.00
23	SM6040650TP	SCREW				3.00
24	40006737	CLOTH FEED PLATE				1.00
25	40006739	CLOTH FEED PRESSER PLATE				1.00
26	SM1040650TP	SCREW M4 L=6				4.00
27	HD002230000	PHOTO SENSOR				1.00
28	SL4041281SC	SCREW M4X0.7 L=12				1.00
29	14111702	SENSOR INSTALLING BASE				1.00
30	SM4040855SP	SCREW				2.00
31	14111504	CROSSFEED SENSOR SLIT				1.00
32	SM6040650TP	SCREW M4 L=6				1.00
33	HD00057000A	PHOTO SENSOR				1.00
34	SL4031291SC	SCREW M3X12				1.00
35	14111801	SENSOR INSTALLING BASE				1.00
36	SM4040855SP	SCREW				1.00
37	14136402	LENGTHWISE FEED SENSOR SLIT				1.00
38	SS6110480SP	SCREW 11/64-40 L=4.3				1.00
39	40039255	SUPPORT PLATE				1.00
40	SM6040802TP	SCREW M4X0.7 L=8				2.00
41	40039013	FEED BRACKET B				1.00
42	B2549280000	WORK CLAMP FOOT MOUNTING BASE				7.00
43	B2548280000	BALL RETAINER				1.00
44	SS8150510TP	SCREW 15/64-28 L= 4.7				1.00
45	40083885	WASHER				2.00
46	B141423200A	CRANK SLIDE BLOCK	SELECTIVE PARTS			1.00
47	B141423200B	GUIDE ROLLER	SELECTIVE PARTS			1.00
48	40083884	THRUST COLLAR D=8 W=8				2.00

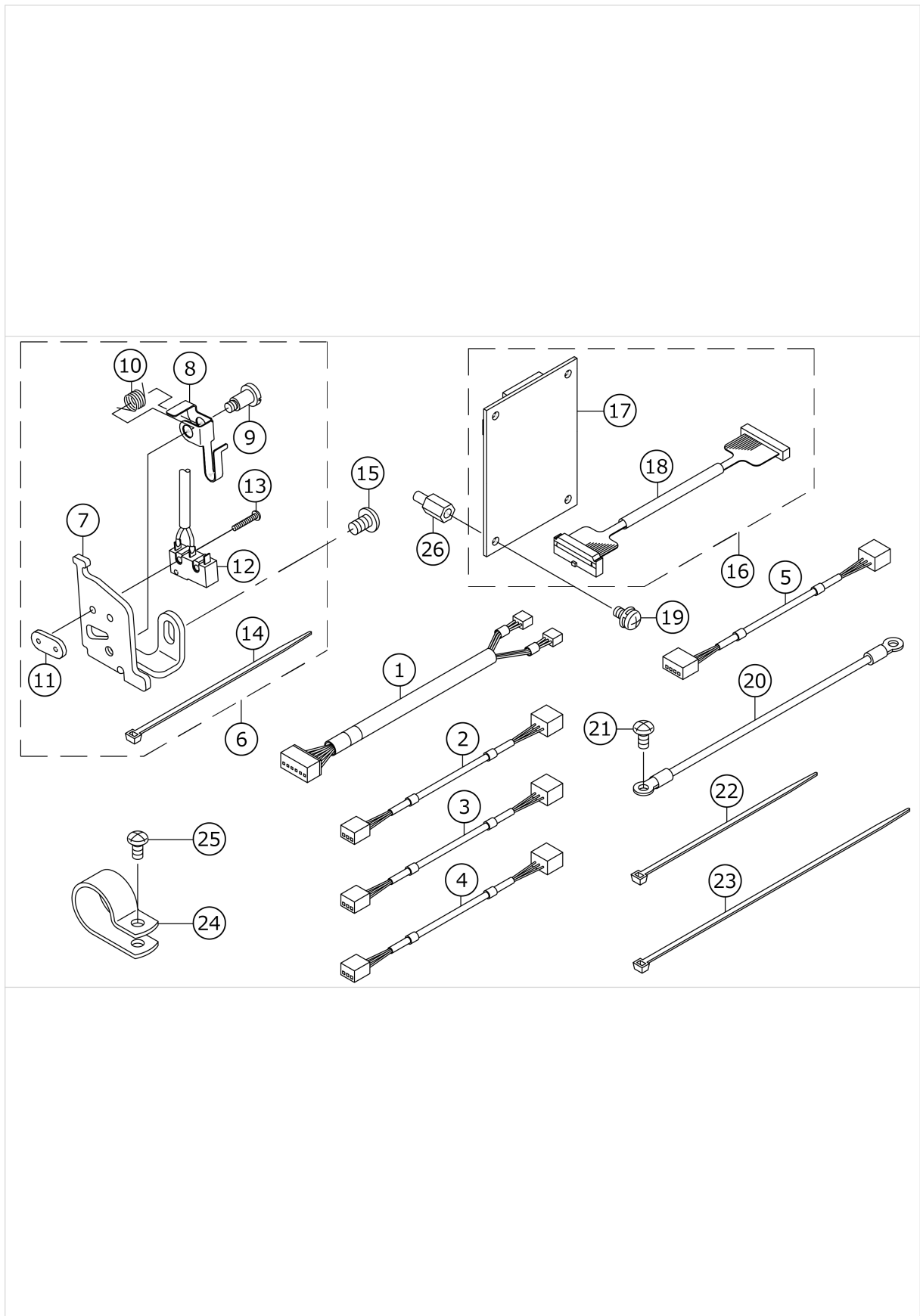
49	SM8050512TP	SCREW M5 L=5				4.00
50	WP0450801SP	WASHER				4.00
51	26204008	LIFTING LEVER RIGHT				1.00
52	26204107	LIFTING LEVER LEFT				1.00
53	14105407	CLOTH PRESSER SPRING				2.00
54	13518501	SPRING SUSPENSION				1.00
55	13518808	WORK CLAMP FOOT FACE PLATE				1.00
56	SS2110930SP	SCREW 11/64-40 L=8.7				5.00
57	SS7110740TP	SCREW 11/64-40 L=7				4.00
58	13533104	FINGER GUARD	EXCEPT LK-1900AH,AW			1.00
59	13548300	FINGER GUARD	FOR LK-1900AH,AW			1.00
60	SS8080310TP	SCREW 1/8-44 L=2.8				2.00
61	13518709	WORK CLAMP FOOT, LEFT	FOR LK-1900AS,AF			1.00
62	13518600	WORK CLAMP FOOT, RIGHT	FOR LK-1900AS,AF			1.00
63	13548201	WORK CLAMP FOOT LEFT	FOR LK-1900AH,AW			1.00
64	13548102	WORK CLAMP FOOT, RIGHT	FOR LK-1900AH,AW			1.00
65	13543012	WORK CLAMP FOOT, LEFT	FOR LK-1900AM			1.00
66	13542915	WORK CLAMP FOOT, RIGHT	FOR LK-1900AM			1.00
67	40006745	LEVER DRIVING PLATE L ASM.				1.00
68	40006747	LEVER DRIVING PLATE R ASM.				1.00
69	SM6061802TP	SCREW M6 L=18				1.00
70	WP0621016SD	WASHER 6.2X13X1				1.00
71	40010570	HIDDEN_PLATE				1.00
72	SM5030501SC	SCREW M3 L=5				2.00
73	14116107	FEED PLATE A	FOR LK-1900AS			1.00
74	14116206	FEED PLATE B	FOR LK-1900AM			1.00
75	13554803	FEED PLATE	FOR LK-1900AH,AW			1.00
76	14116800	FEED PLATE H	FOR LK-1900AF(EXCEPT JE)			1.00
77	14116404	FEED PLATE D	FOR LK-1900AF,JE			1.00
78	SM3061052TP	SCREW M6 L=10				1.00
79	WP0621016SD	WASHER 6.2X13X1				1.00
80	40083883	LIFTING LEVER SHAFT B				1.00
81	SM4042055SP	SCREW M4 L=20				2.00
82	WP0450801SP	WASHER				2.00

TC CLAMP COMPONENTS



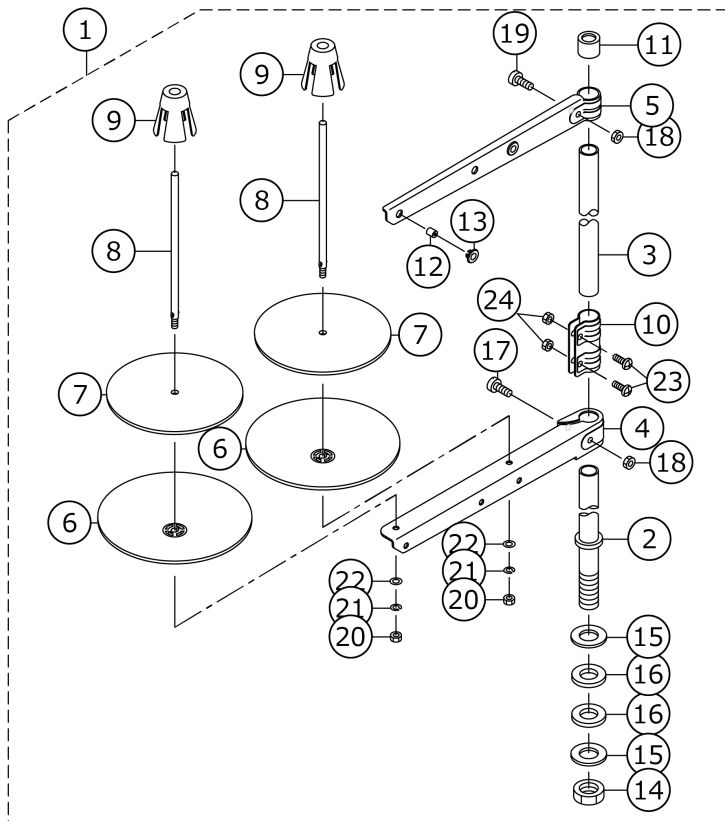
No.	品番	品名	備考	子部品	消耗品	個数
1	40006761	TC CLAMP				1.00
2	40006762	TC CLAMP PLATE ASM.				1.00
3	40006765	TC SUPPERT PLATE ASM.				1.00
4	40006768	TC JOINT ASM.				1.00
5	40015800	TC-LINK_ASM				1.00
6	SM2360110TP	SCREW M1.6X0.2 L=1.35				2.00
7	WP0320500SC	WASHER M3				1.00
8	RE0200000K0	E-RING				2.00
9	SD0400266TP	HINGE SCREW D=4 H=2.6				1.00
10	40010589	TC BASE				1.00
11	SM6040650TP	SCREW M4 L=6				4.00
12	40006772	TC CAM PLATE				1.00
13	40006780	TC SPRING				1.00
14	40006781	TC BASE COVER				1.00
15	SM6020350SP	SCREW M2 L=2.5				4.00
16	40006782	TC NOTCH R				1.00
17	SM4020600SP	SCREW M2 L=6				2.00
18	40006777	TC NOTCH F				1.00
19	SM6020450TP	SCREW				2.00
20	40010527	TC_DRIVING_ARM_ASM.				1.00
21	40010528	TC_DRIVING_ARM		*		1.00
22	40011152	TC_ARM_SCREW		*		2.00
23	SD0800406TP	SHOULDER SCREW D8 H4				1.00
24	40006776	TC CONNECTING LINK				1.00
25	SD0350156TP	SHOULDER SCREW				1.00
26	40010530	SENSOR_SLIT				1.00
27	SM6030502TP	BOLT M3X5				1.00
28	40006864	THREAD CLAMP MOTOR				1.00
29	SM6041200SP	SCREW M4 L=12				4.00
30	40010531	SENSOR_INSTALLING_BASE				1.00
31	SM6040802TP	SCREW M4X0.7 L=8				1.00
32	HD00057000A	PHOTO SENSOR				2.00
33	SL4031091SC	SCREW M3 X 10				2.00
34	40010532	DUST_GUARD				1.00
35	SM4030601SN	SCREW M3 X 6				1.00
36	WP0450801SP	WASHER				1.00

SENSOR COMPONENTS



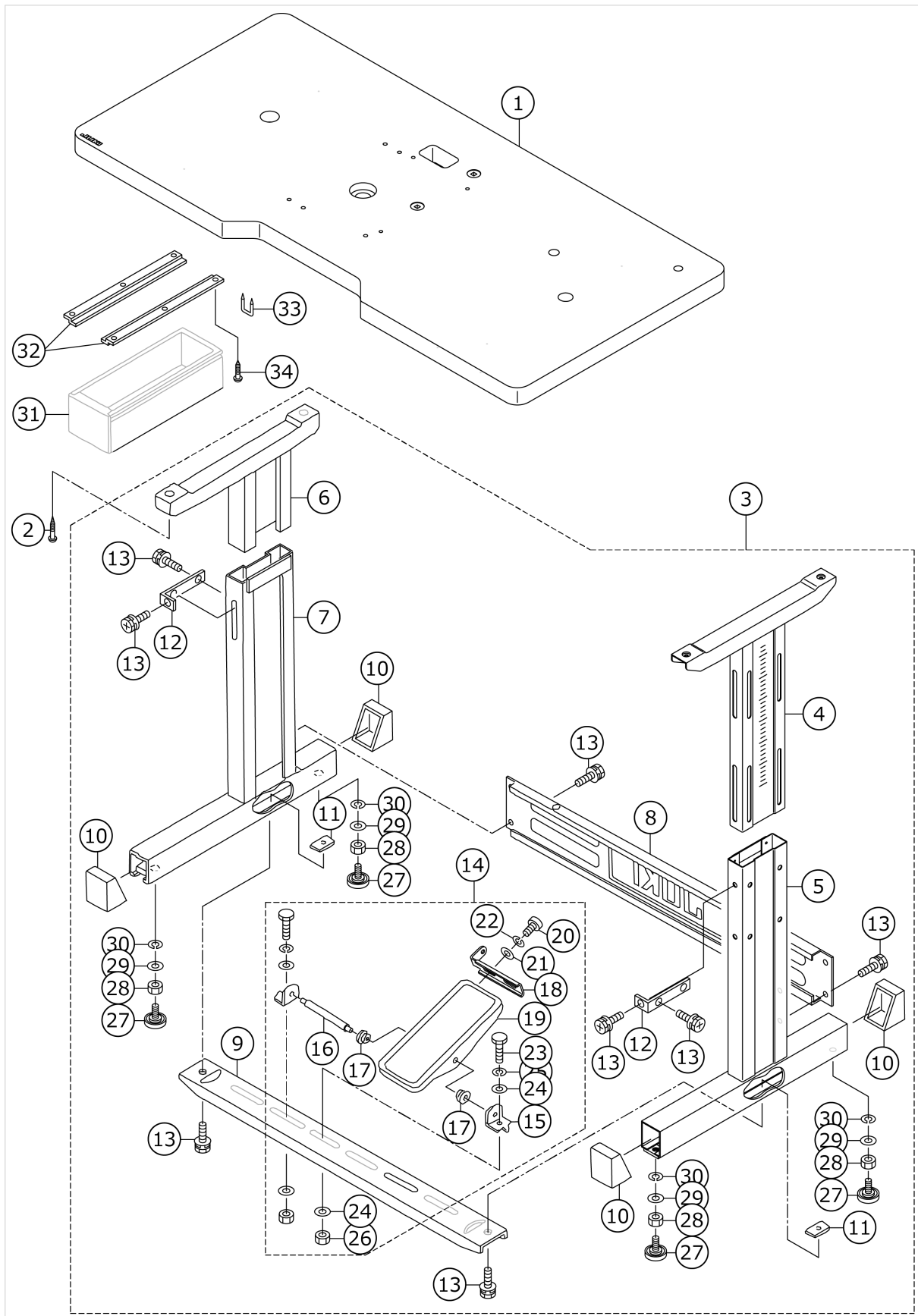
No.	品番	品名	備考	子部品	消耗品	個数
1	40005729	TH SENSOR CABLE ASM.				1.00
2	40005731	Y SENSOR CABLE ASM.				1.00
3	40005732	PF SENSOR CABLE ASM.				1.00
4	40005730	X SENSOR CABLE ASM.				1.00
5	40005733	TT SENSOR CABLE ASM.				1.00
6	40006495	SAFETY SW ASM.				1.00
7	40006496	SAFETY SW BASE		*		1.00
8	23638109	SAFETY SWITCH ARM.		*		1.00
9	40006497	SAFETY SW ARM SHAFT		*		1.00
10	23638208	SAFETY SWITCH SPRING		*		1.00
11	23638406	SAFETY SWITCH NUT		*		1.00
12	40005734	SAFETY SW CABLE ASM.		*		1.00
13	SM4021201SC	SCREW M2 L=12		*		2.00
14	EA9500B0100	CABLE BAND		*		1.00
15	SM4050855SP	SCREW				1.00
16	40005664	INT PCB ASM.				1.00
17	40005660	INT PCB		*		1.00
18	40005725	INT CABLE ASM.		*		1.00
19	SL4040881SF	SCREW M4 L=8				4.00
20	14115554	HEAD GROUND CABLE A ASM.				1.00
21	SM4040855SP	SCREW				1.00
22	EA9500B0100	CABLE BAND				6.00
23	EA9500B0200	CABLE BAND 150				3.00
24	HX00150000K	CABLE CLIP				1.00
25	SM4040855SP	SCREW				1.00
26	HX003390000	STUD				4.00

THREAD STAND COMPONENTS



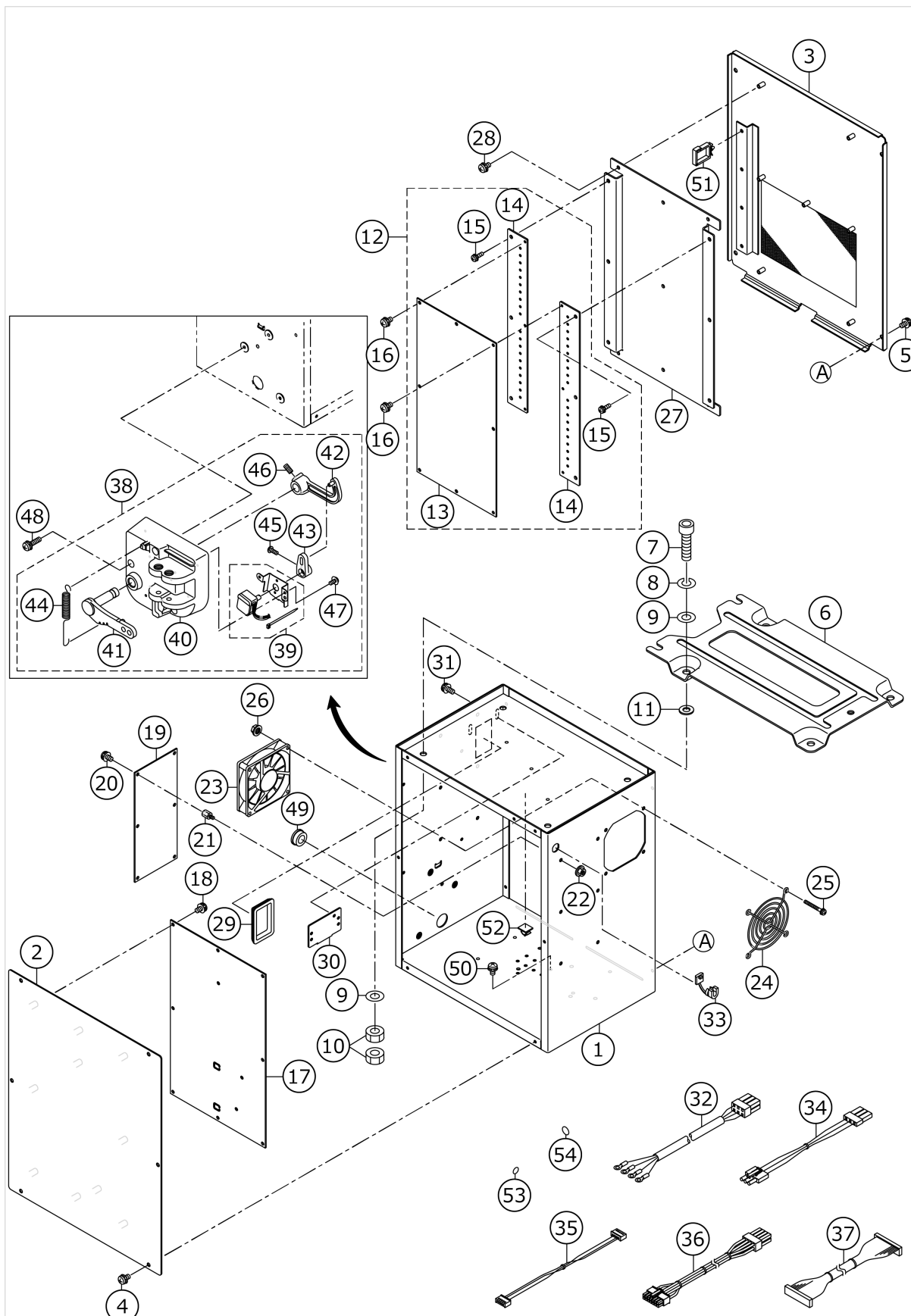
No.	品番	品名	備考	子部品	消耗品	個数
1	40096354	THREAD STAND ASM.				2.00
2	40085784	SPOOL REST ROD LOWER		*		2.00
3	40085785	SPOOL REST ROD UPPER		*		2.00
4	40085786	SPOOL REST ARM LOWER		*		2.00
5	40085787	SPOOL REST ARM UPPER		*		2.00
6	40085788	SPOOL REST		*		4.00
7	40085789	SPOOL REST CUSHION		*		4.00
8	40085790	SPOOL PIN		*		4.00
9	40085791	SPOOL RETAINER		*		4.00
10	40085792	SPOOL REST ROD JOINT		*		2.00
11	40085793	SPOOL REST ROD RUBBER CAP		*		2.00
12	40085794	THREAD GUIDE		*		4.00
13	40085795	THREAD GUIDE BUSHING		*		4.00
14	40096325	SPOOL REST ROD NUT		*		2.00
15	WP1612616SE	WASHER 16X30X2.6		*		4.00
16	40085796	SPOOL REST ROD RUBBER CUSHION		*		4.00
17	40096326	SPOOL REST ARM LOWER SCREW		*		2.00
18	NM6050001SE	NUT M5		*		4.00
19	40096327	SPOOL REST ARM UPPER SCREW		*		2.00
20	NM6050001SE	NUT M5		*		4.00
21	WS0510002KN	SPRING WASHER M5		*		4.00
22	WP0531001SC	WASHER M5		*		4.00
23	SM4051405SE	SCREW M5 L=14		*		4.00
24	NM6050001SE	NUT M5		*		4.00

TABLE STAND COMPONENTS (JT-K44)



No.	品番	品名	備考	子部品	消耗品	個数
1	40006886	TABLE				1.00
2	SK3513201SE	WOOD SCREW D=5.1 L=32				4.00
3	14118053	T-STAND COMPL.				1.00
4	14118152	UPPER STAND ASM.,RIGHT		*		1.00
5	14118251	STAND ASM.,RIGHT		*		1.00
6	B8101210AAB	UPPER STAND ASM.		*		1.00
7	B8105210AAA	STAND ASM.		*		1.00
8	11158300	STAND SIDE SUPPORT		*		1.00
9	11158409	STAND SIDE SUPPORT		*		1.00
10	11158607	RUBBER CAP		*		4.00
11	17007402	NUT		*		2.00
12	11158516	UPPER STAND PLATE		*		2.00
13	SL9082091SE	WASHER HEXAGONAL BOLT		*		12.00
14	13817754	Z-STAND PEDAL ASM.		*		1.00
15	11159001	PEDAL SHAFT BRACKET		*		2.00
16	B8153771000	PEDAL CONNECTING ROD		*		1.00
17	D8113555B00	PEDAL BUSHING		*		2.00
18	GPF06080000	PEDAL ADJUSTING PLATE		*		1.00
19	GPF060600A0	PEDAL ASM.		*		1.00
20	SM9061203SE	SCREW M6 L=12		*		2.00
21	WP0671016SE	WASHER 6.7X13X1		*		2.00
22	WS0621210KR	SPRING WASHER 6.2X11.4X1.2		*		2.00
23	SM9082023SE	SCREW M8 L=20		*		2.00
24	WP0871602SE	WASHER 8.7X18X1.6		*		4.00
25	WS0861410KR	SPRING WASHER 8.6X15X1.4		*		2.00
26	NM6080721SE	NUT M8		*		2.00
27	B81085550A0	ADJUSTING SCREW ASM. WITH CAP		*		4.00
28	NM6120001SE	NUT M12		*		4.00
29	WP1302501SE	WASHER M12		*		4.00
30	WS1253010KN	SPRING WASHER 12.5X21.5X3		*		4.00
31	11155108	DRAWER				1.00
32	11155207	DRAWER SUPPORT				2.00
33	D8204555D00	DRAWER STOPPER				1.00
34	SK3311601SE	WOOD SCREW D=3.1 L=16				6.00

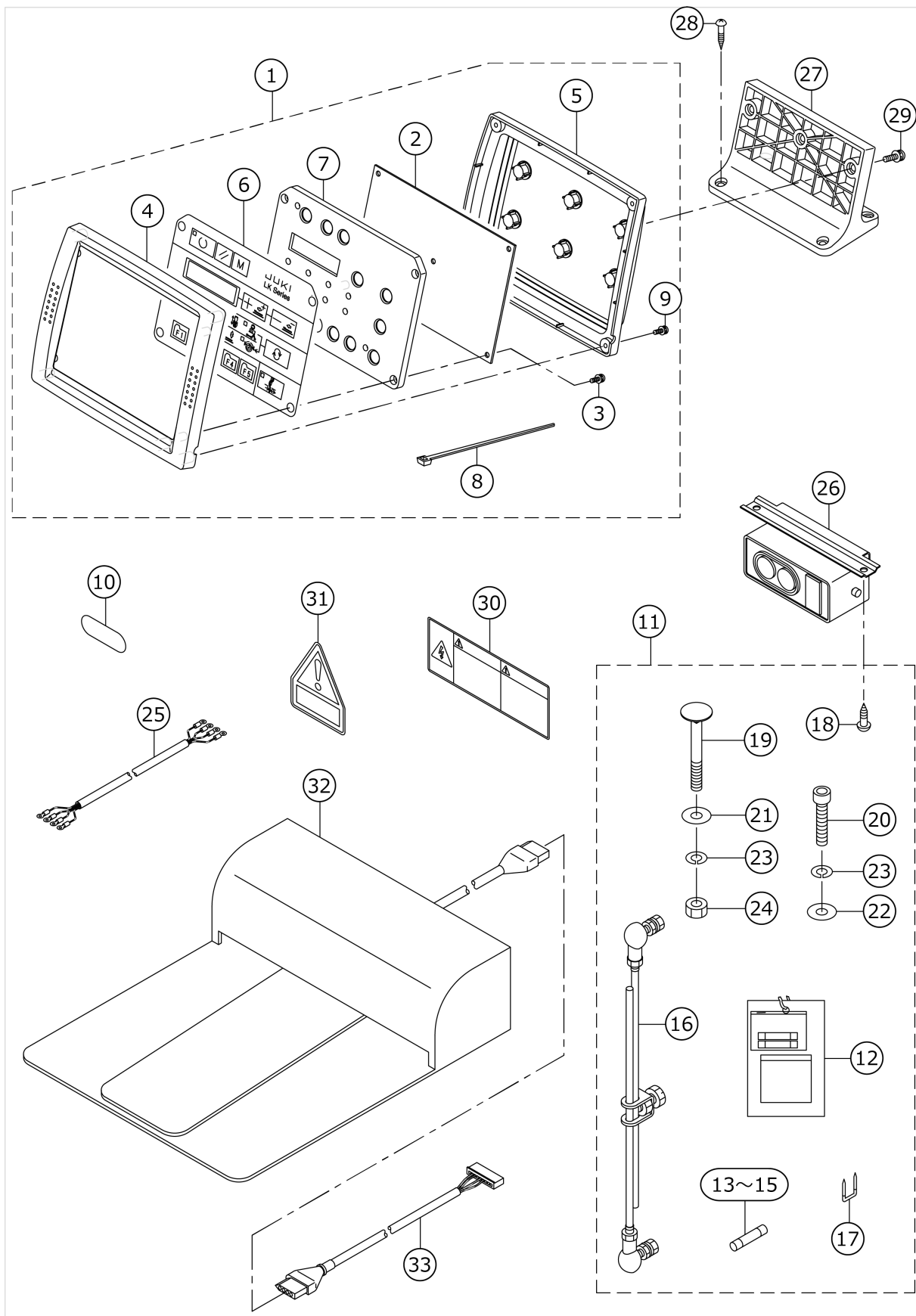
CONTROL BOX COMPONENTS



No.	品番	品名	備考	子部品	消耗品	個数
1	40055355	CONTROL BOX				1.00
2	40055356	CONTROL BOX FRONT COVER				1.00
3	40055357	CONTROL BOX REAR COVER				1.00
4	SL4040891SC	SCREW M4 L=8				6.00
5	SL4040891SC	SCREW M4 L=8				4.00
6	M3801476000	TRANSMISSION BOX FITTING PLATE				1.00
7	SM6083002TN	SCREW M8 L=30				4.00
8	WS0820002KR	SPRING WASHER, M8				4.00
9	WP0841601SC	WASHER 8.4X17.4X1.6				8.00
10	NM6080001SC	NUT M8X1.25				8.00
11	M4206461000	WASHER				4.00
12	40005648	MAIN PCB ASS'Y				1.00
13	40005641	MAIN PCB		*		1.00
14	40005705	MAIN PCB HEAT SINK		*		2.00
15	SL4031081SF	SCREW M3 L=10		*		6.00
16	SL4040881SC	SCREW M4 L=8				6.00
17	40000029	SDC PCB A ASS'Y				1.00
18	SL4040881SC	SCREW M4 L=8				10.00
19	40000056	FLT-T PCB A ASS'Y				1.00
20	SL4040881SC	SCREW M4 L=8				6.00
21	HX003390000	STUD				6.00
22	NM3040520SC	NUT M4				6.00
23	40005401	FAN MOTOR ASS'Y				1.00
24	KM000000480	FAN MOTOR				1.00
25	SL4043591SC	SCREW				4.00
26	NM3040520SC	NUT M4				4.00
27	40005706	MAIN PCB HOLDER PLATE				1.00
28	SL4040881SC	SCREW M4 L=8				5.00
29	HX004070000	BUSH				1.00
30	17845009	CORD FITTING PLATE				1.00
31	SL4041091SC	SCREW M4 L=10				2.00
32	40005391	POWER CORD 3P ASS'Y				1.00
33	HX00410000A	STRAIN RELIEF BUSHING				1.00
34	40005393	FLT-SDC CORD P ASS'Y				1.00
35	40005394	FLT-SDC CORD S ASS'Y				1.00
36	40005726	SDC-MAIN CORD P ASS'Y				1.00
37	40005727	SDC-MAIN CORD S ASS'Y				1.00
38	40003484	PEDAL SENSOR ASM.				1.00
39	40003485	SENSOR FITTING PLATE A ASM.		*		1.00
40	M4001461000	PEDAL SENSOR BASE		*		1.00
41	M4002461000	PEDAL LEVER		*		1.00
42	M4004461000	PEDAL RING		*		1.00
43	M4005461000	VOLUME LINK		*		1.00
44	M4007351000	FRONT SPRING		*		1.00
45	SM4030801SF	SCREW M3X0.5 L=8		*		1.00
46	SM8040802TP	SCREW M4X8		*		2.00
47	SV4030601SR	SCREW M3 L=6		*		2.00
48	SL4041681SF	SCREW M4 L=16				3.00
49	HX00188000D	BUSH				1.00
50	SL4040891SC	SCREW M4 L=8				2.00

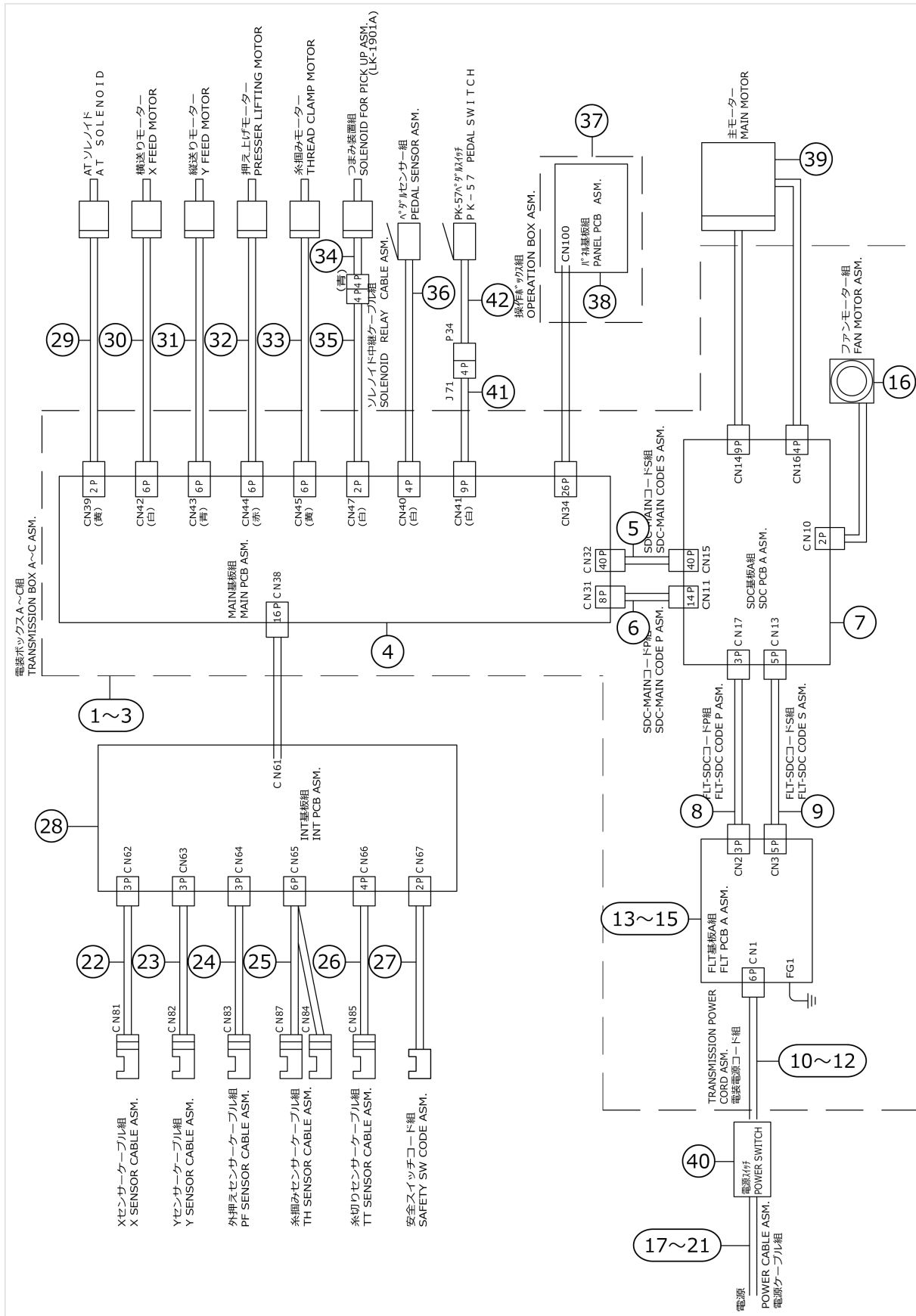
51	HX005110000	WIRE SADDLE				3.00
52	E9607603000	STICKER (SMALL)				1.00
53	E9567319000	EARTH MARK				1.00
54	40003458	MASK SEAL				10.00

OPERATION PANEL COMPONENTS



No.	品番	品名	備考	子部品	消耗品	個数
1	40005695	OPERATION BOX A ASM.				1.00
2	40005677	PANEL PCB ASSY		*		1.00
3	SL4031081SC	SCREW M3 X 10		*		4.00
4	40005692	OPERATION BOX FRONT CASE		*		1.00
5	40005693	OPERATION BOX REAR CASE		*		1.00
6	40005691	OPERATION PANEL SHEET		*		1.00
7	40005694	PANEL PCB HOLDER PLATE		*		1.00
8	EA9500B0100	CABLE BAND		*		1.00
9	SL4031081SC	SCREW M3 X 10		*		4.00
10	BME03200000	VOLTAGE INDICATION SEAL				1.00
11	40005385	ACCESSORIE PARTS A ASM.				1.00
12	M300451100A	VOLTAGE INDICATION CARD,A		*		1.00
13	HF00130315S	FUSE 3.15A 250V REF. NO.112		*		1.00
14	HF003000200	FUSE 2A (220/240V)		*		1.00
15	HF0013050P0	FUSE 5A		*		1.00
16	22958458	CONNECTING ROD ASM. B		*		1.00
17	MAO11532000	CORD STAPLE		*		3.00
18	SK3512001SE	WOOD SCREW D=5.1 L=20		*		2.00
19	MTSHJ100003	BOLT		*		2.00
20	SM6084002TN	SCREW M8 L=40		*		1.00
21	WP0852086SC	WASHER M8		*		2.00
22	WP0841601SC	WASHER 8.4X17.4X1.6		*		1.00
23	WS0820002KR	SPRING WASHER, M8		*		3.00
24	NM6080002SC	NUT M8		*		2.00
25	M90175800A0	POWER CABLE ASM.				1.00
26	HA004250000	SWITCH				1.00
27	40005697	OPERATION BOX FITTING PLATE				1.00
28	SK3382001SE	SCREW D=3.8 L=20				4.00
29	SL4041691SC	SCREW M4 L=16				3.00
30	CM300100401	LABEL 3 (LARGE)				1.00
31	CM300400601	VOLTAGE CAUTION LABEL				1.00
32	GPK570010B0	PEDAL SWITCH ASM.	OPTIONAL PARTS			1.00
33	M90135900A0	PK57 TRANSFER CABLE ASM.	OPTIONAL PARTS			1.00

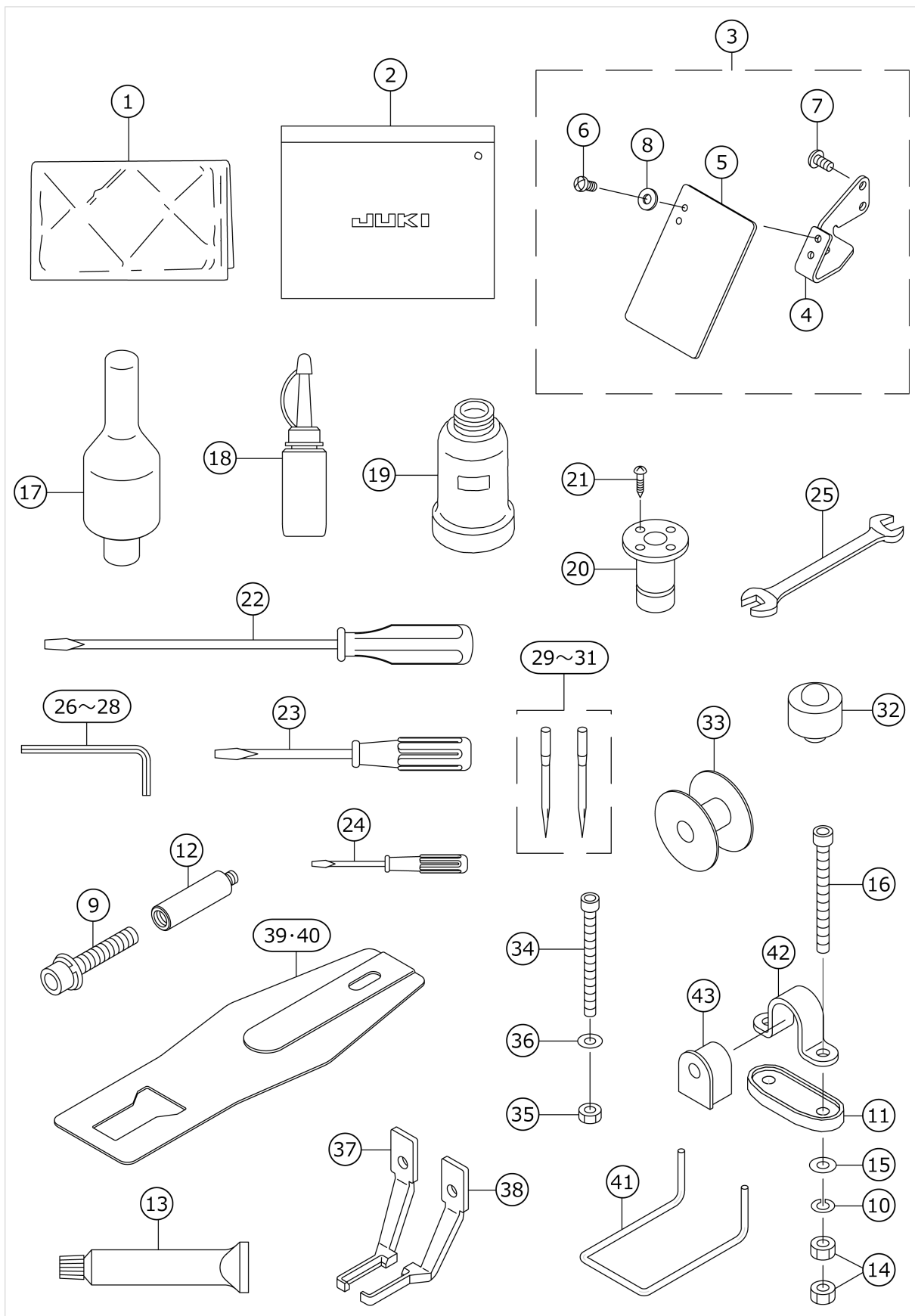
WIRING DIAGRAM



No.	品番	品名	備考	子部品	消耗品	個数
1	40005700	CONTROL BOX A ASM.	FOR EXPORT/USE IN JAPAN(3-PH ASE)			1.00
2	40005701	CONTROL BOX B ASM.	FOR JE(1-PHASE)			1.00
3	40005702	CONTROL BOX C ASM.	FOR GENERAL EX PORT(1-PHASE)			1.00
4	40005648	MAIN PCB ASS'Y		*		1.00
5	40005727	SDC-MAIN CORD S ASS'Y		*		1.00
6	40005726	SDC-MAIN CORD P ASS'Y		*		1.00
7	40000029	SDC PCB A ASS'Y		*		1.00
8	40005393	FLT-SDC CORD P ASS'Y		*		1.00
9	40005394	FLT-SDC CORD S ASS'Y		*		1.00
10	40005391	POWER CORD 3P ASS'Y	FOR EXPORT/USE IN JAPAN(3-PH ASE)	*		1.00
11	40005392	POWER CORD 1P ASS'Y	FOR JE(1-PHASE)	*		1.00
12	40005388	POWER CORD 1P220V ASS'Y	FOR GENERAL EX PORT(1-PHASE)	*		1.00
13	40000056	FLT-T PCB A ASS'Y	FOR EXPORT/USE IN JAPAN(3-PH ASE)	*		1.00
14	40000046	FLT-S PCB A ASS'Y	FOR JE(1-PHASE)	*		1.00
15	40000046	FLT-S PCB A ASS'Y	FOR GENERAL EX PORT(1-PHASE)	*		1.00
16	40005401	FAN MOTOR ASS'Y		*		1.00
17	M90175800A0	POWER CABLE ASM.	FOR EXPORT/USE IN JAPAN(3-PH ASE)			1.00
18	M90355800A0	POWER SOURCE CORD ASM.	FOR 100V			1.00
19	M90345800A0	GROUND CORD ASM.	FOR USE IN JAP AN 100V(1-PHASE E)			1.00
20	40005390	POWER CABLE JE ASS'Y	FOR CE(1-PHASE)			1.00
21	M90245800A0	POWER CABLE ASM.,100V	FOR GENERAL EX PORT(1-PHASE)			1.00
22	40005730	X SENSOR CABLE ASM.				1.00
23	40005731	Y SENSOR CABLE ASM.				1.00
24	40005732	PF SENSOR CABLE ASM.				1.00
25	40005729	TH SENSOR CABLE ASM.				1.00
26	40005733	TT SENSOR CABLE ASM.				1.00
27	40005734	SAFETY SW CABLE ASM.				1.00
28	40005664	INT PCB ASM.				1.00
29	40006628	AT SOLENOID				1.00
30	40029901	X FEED MOTOR				1.00
31	40029902	Y FEED MOTOR				1.00
32	40029903	PRESSER LIFTING MOTOR				1.00

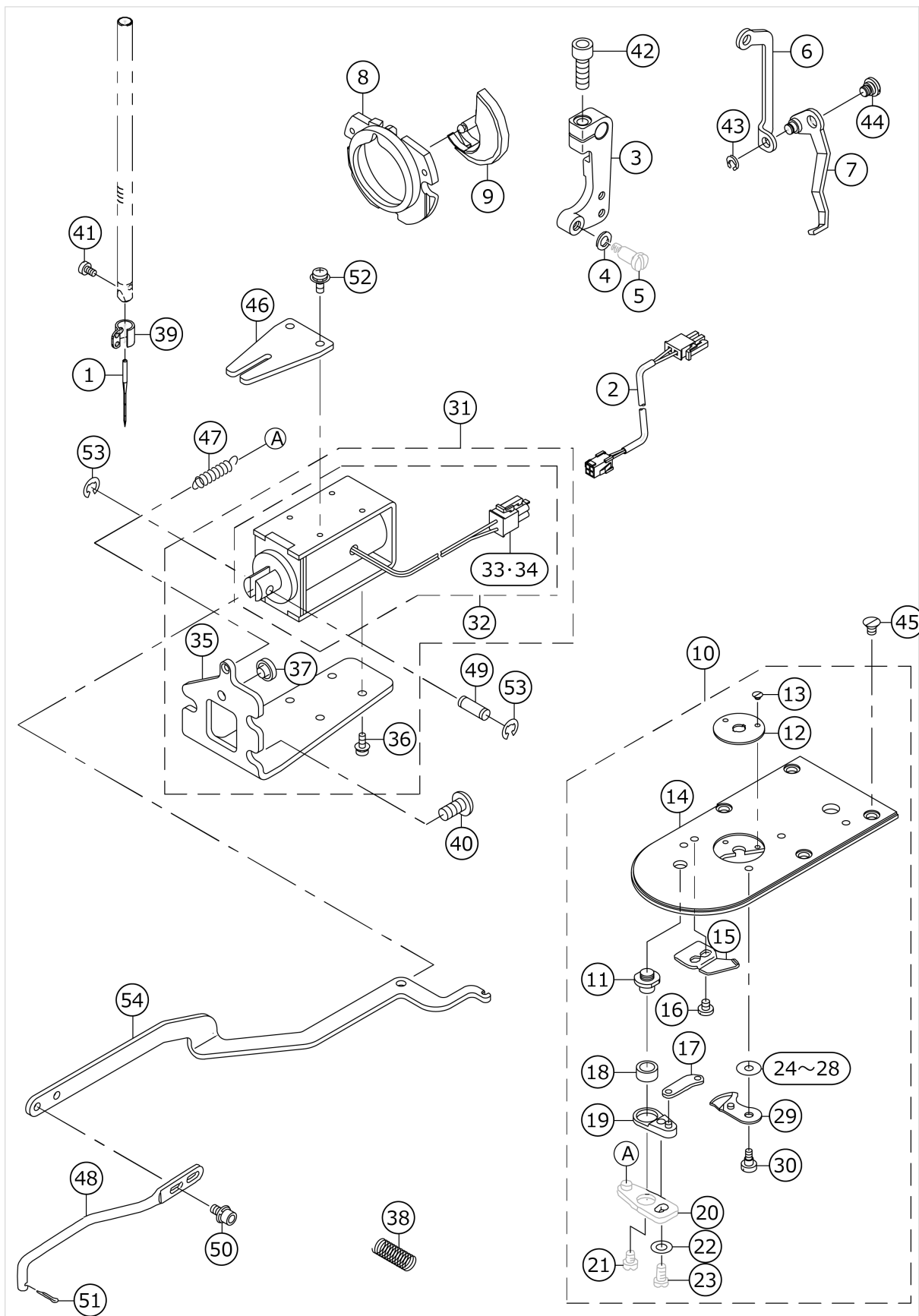
33	40006864	THREAD CLAMP MOTOR				1.00
34	40006912	SOLENOID FOR PICK UP ASM.	FOR LK-1901A			1.00
35	40005728	SOLENOID RELAY CABLE ASM.	FOR LK-1901A			1.00
36	40003484	PEDAL SENSOR ASM.				1.00
37	40005695	OPERATION BOX A ASM.				1.00
38	40005677	PANEL PCB ASS'Y		*		1.00
39	40028015	AC SERVO MOTOR				1.00
40	HA004250000	SWITCH	EXCEPT CE(1-PHASE)			1.00
41	M90135900A0	PK57 TRANSFER CABLE ASM.	OPTIONAL PARTS			1.00
42	GPK570010B0	PEDAL SWITCH ASM.	OPTIONAL PARTS			1.00

ACCESSORIE PART COMPONENTS



No.	品番	品名	備考	子部品	消耗品	個数
1	40048536	HEAD_COVER				1.00
2	22932800	ACCESSORIE BAG				1.00
3	40006484	SAFETY PLATE ASM				1.00
4	40051987	SAFETY PLATE BASE		*		1.00
5	26037200	SAFETY PLATE		*		1.00
6	SM4040655SP	SCREW M4 L=6		*		2.00
7	SM4040855SP	SCREW		*		1.00
8	WP0450801SD	WASHER 4.5X10X0.8		*		2.00
9	SL6084092TN	BOLT				1.00
10	WS0610002KN	SPRING WASHER 6.1X12.2X1.5				4.00
11	40016195	BED_HINGE_RUBBER				2.00
12	40036110	GREASE JOINT B				1.00
13	40013640	JUKI_GREASE_B_TUBE				1.00
14	NM6060001SC	NUT M6				8.00
15	WP0651646SC	WASHER				4.00
16	SM6066002TN	BOLT M6 L=60				4.00
17	14101208	HEAD SUPPORT BAR				1.00
18	B91212200A0	OILER (CONTAINING NO.2 OIL)				1.00
19	B9121012000	OIL CAN				1.00
20	B8202205000	OIL MANAGEMENT				1.00
21	SK3311601SE	WOOD SCREW D=3.1 L=16				4.00
22	22933006	SCREW DRIVER,LARGE				1.00
23	22933105	SCREW DRIVER,MIDDLE				1.00
24	22933204	SCREW DRIVER,SMALL				1.00
25	B9113012000	WRENCH (9X10)				1.00
26	B9140372000	HEXAGONAL WRENCH, SMALL				1.00
27	B9141372000	HEXAGONAL WRENCH, LARGE				1.00
28	GCT02906000	HEXAGONAL SPANNER				1.00
29	MDP500B1402	NEEDLE DPX5#14-2	FOR LK-1900AS			1.00
30	MDP170B2102	NEEDLE DPX17#21-2	FOR LK-1900AH,AW			1.00
31	MDP500B1102	DPX5#11-2	FOR LK-1900AF,AM			1.00
32	40016194	FRAME_SUPPORT_RUBBER				2.00
33	13812102	BOBBIN				1.00
34	SM6066002TN	BOLT M6 L=60				1.00
35	NM6060001SC	NUT M6				1.00
36	WP0651646SC	WASHER				1.00
37	13571906	CLOTH PRESSER FOOT (RIGHT)	FOR LK-1900AF			1.00
38	13572003	CLOTH PRESSER FOOT (LEFT)	FOR LK-1900AF			1.00
39	14116503	FEED PLATE E	FOR LK-1900AF,JE			1.00
40	14116909	FEED PLATE I	FOR LK-1900AF(EXCEPT JE)			1.00
41	13573407	FINGER GUARD	FOR LK-1900AF			1.00
42	B1111210D00	BED HINGE				2.00
43	B1115210D00	HINGE RUBBER				2.00

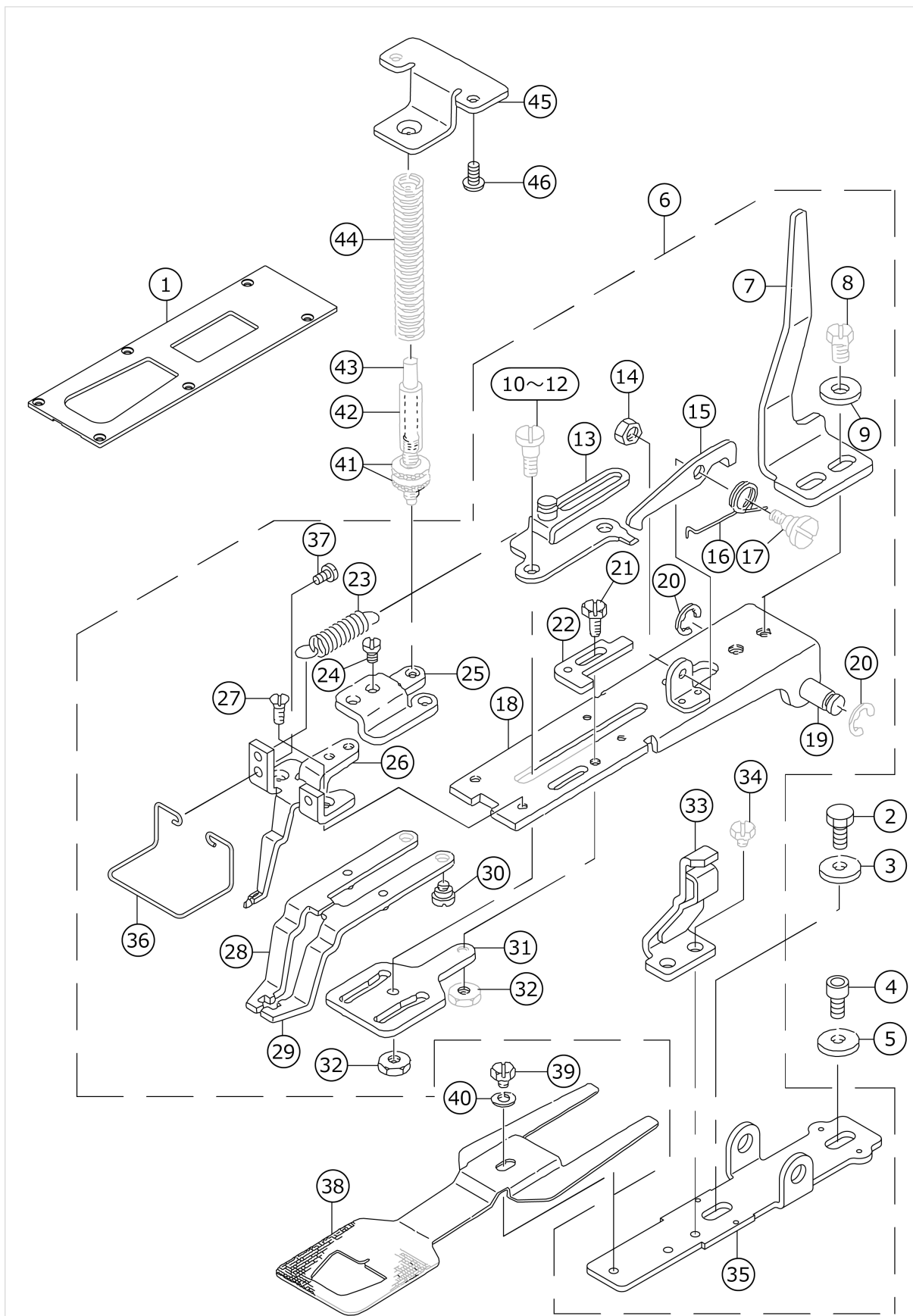
EXCLUSIVE PARTS FOR LK-1901AS (1)



No.	品番	品名	備考	子部品	消耗品	個数
1	MDP500B1400	NEEDLE DPX5 #14				1.00
2	40005728	SOLENOID RELAY CABLE ASM.				1.00
3	40011949	CONNECTING ARM B				1.00
4	WP0651056SH	WASHER 6.5X11X1				1.00
5	SD1201506TP	SHOULDER SCREW				1.00
6	40010458	WIPER_CONNECTING_PLATE				1.00
7	B21012800A0	WIPER ASM.				1.00
8	14103352	INNER HOOK PRESSER ASM., B				1.00
9	40006580	SHUTTLE				1.00
10	40006722	NEEDLE PLATE ASM.,A				1.00
11	B2417280000	THREAD CUTTER LEVER SHAFT		*		1.00
12	B2426280000	NEEDLE HOLE GUIDE		*		1.00
13	SS1060210TP	SCREW 3/32-56 L=2.2		*		2.00
14	40006721	NEEDLE PLATE		*		1.00
15	B2424280000	FIXING KNIFE		*		1.00
16	SS7090410SP	SCREW 9/64-40 L= 3.5		*		1.00
17	B2418280000	MOVING KNIFE LINK		*		1.00
18	B2416280000	THREAD CUTTING LEVER RING		*		1.00
19	B24152800A0	THREAD CUTTER LEVER ASM., SMALL		*		1.00
20	B24142800A0	THREAD CUTTER LEVER ASM., LARGE		*		1.00
21	SS6110430TP	SCREW 11/64-40 L= 4.0		*		1.00
22	WP0450846SP	WASHER		*		1.00
23	SS7110740TP	SCREW 11/64-40 L=7		*		1.00
24	B242328000C	MOVING KNIFE WASHER C	SELECTIVE PARTS	*		1.00
25	B242328000A	MOVING KNIFE WASHER A	SELECTIVE PARTS	*		1.00
26	B242328000B	MOVING KNIFE WASHER B	SELECTIVE PARTS	*		1.00
27	B242328000D	MOVING KNIFE WASHER D	SELECTIVE PARTS	*		1.00
28	B242328000E	MOVING KNIFE WASHER E	SELECTIVE PARTS	*		1.00
29	B24212800A0	MOVING KNIFE ASM.		*		1.00
30	SD0500091TP	HINGE SCREW D= 5.0 H= 0.9		*		1.00
31	40006912	SOLENOID FOR PICK UP ASM.				1.00
32	14141758	SOLENOID FOR PICK-UP COMPL.		*		1.00
33	HK03461004A	HOUSING,BLUE 4P		*		1.00
34	HK034640000	PIN CONTACT		*		2.00
35	40006913	SOLENOID INSTALLING BASE		*		1.00
36	SL4030881SC	SCREW M3X8		*		4.00
37	12258000	BUSH		*		1.00
38	14148407	VERTICAL FEED SHAFT SPRING				2.00
39	40006525	NEEDLE BAR THREAD GUIDE				1.00
40	SM4061255SP	SCREW M6 L=12				3.00
41	SM6030500SN	SCREW M3 L=5				1.00
42	SM6061802TP	SCREW M6 L=18				1.00
43	B1229232000	SNAP RING				1.00
44	SD0640216TP	SHOULDER SCREW				1.00
45	SM1040650TP	SCREW				4.00

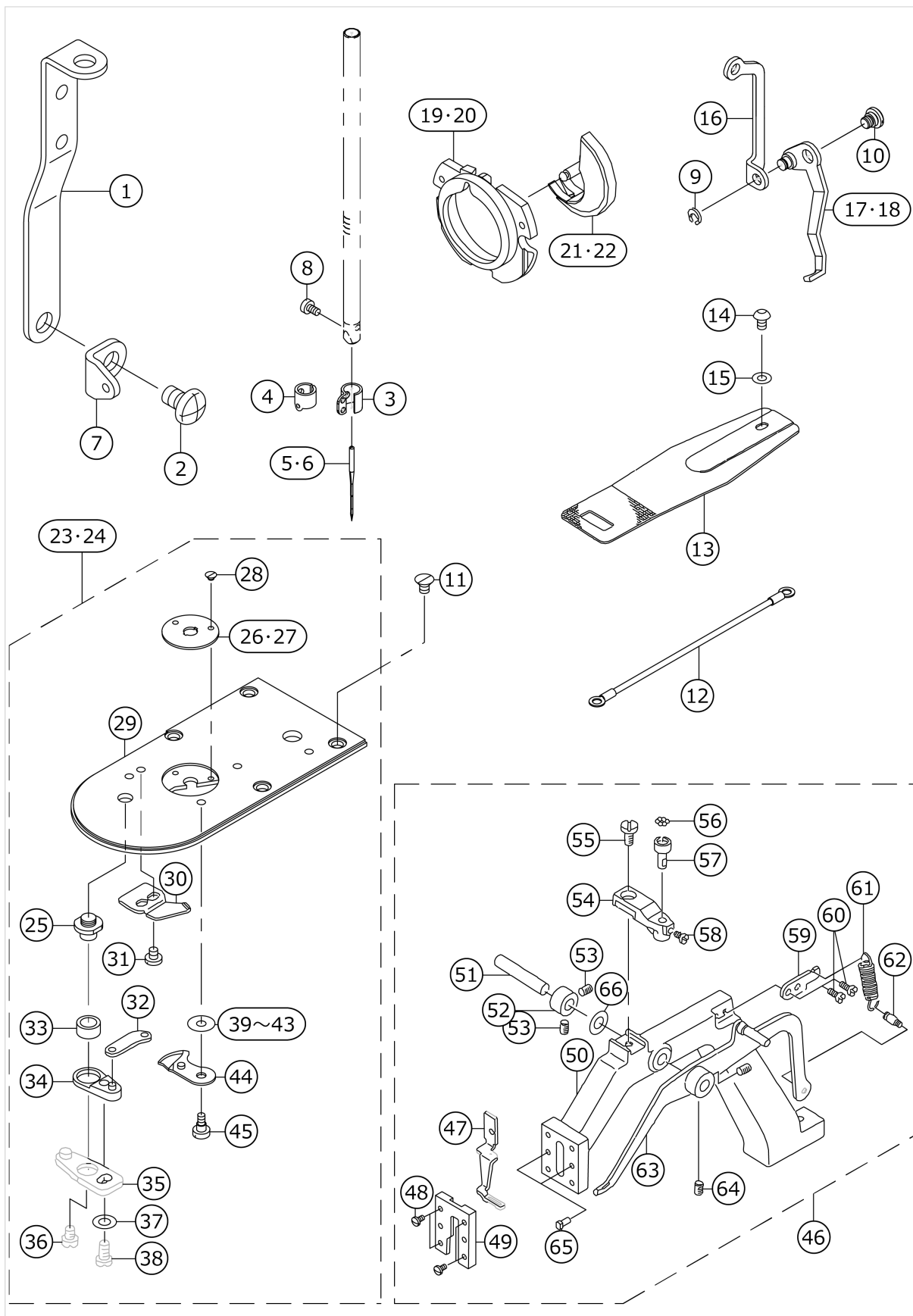
46	14142103	CONNECTING LINK GUIDE				1.00
47	B1657506E00	SPRING				1.00
48	13540604	DRIVING BAR B				1.00
49	B302745000B	PIN				1.00
50	SL6040892TN	BOLT				2.00
51	PD02010000B	SPLIT PIN				1.00
52	SL4030681SC	SCREW M3 L=6				2.00
53	RC0410415KP	C-RING				2.00
54	40006914	WORK CLAMP CONNECTING LINK				1.00

EXCLUSIVE PARTS FOR LK-1901AS (2)



No.	品番	品名	備考	子部品	消耗品	個数
1	40006935	CROTH FEED PRESSER PLATE B				1.00
2	SM9061403CP	SCREW M6 L=14				1.00
3	WP0612516SD	WASHER 6.1X15.2X2.5				1.00
4	SM6061202TP	SCREW M6 L=12				1.00
5	WP0612516SD	WASHER 6.1X15.2X2.5				1.00
6	14140255	WORK CLAMP FOOT BRACKET COMPL.				1.00
7	13541404	WORK CLAMP FOOT LIFTING PLATE		*		1.00
8	SS9151120CP	SCREW 15/64-28 L=11		*		2.00
9	WP0612516SD	WASHER 6.1X15.2X2.5		*		2.00
10	D2545232D0A	HINGE SCREW	SELECTIVE PARTS	*		2.00
11	D2545232D0B	HINGE SCREW	SELECTIVE PARTS	*		2.00
12	D2545232D0C	HINGE SCREW	SELECTIVE PARTS	*		2.00
13	14141055	PULLING PLATE COMPL.		*		1.00
14	NS6110530SP	NUT 11/64-40		*		1.00
15	14141105	FIXING HOOK		*		1.00
16	D2512232D00	TORSION SPRING		*		1.00
17	D2511232D00	SCREW		*		1.00
18	14140354	INSTALLING BASE COMPL.		*		1.00
19	14141402	INSTALLING SHAFT		*		1.00
20	RE0700000K0	E-RING 7		*		2.00
21	SS9110920CP	SCREW 11/64-40 L=9		*		1.00
22	14140909	ADJUSTING PLATE		*		1.00
23	D2515232D00	TORSION SPRING		*		1.00
24	SS7110510SP	SCREW 11/64-40 L=5		*		2.00
25	13541107	WORK CLAMP FOOT SPRING HOLDER		*		1.00
26	14140552	PICK-UP GUIDE COMPL.		*		1.00
27	SS1110640TP	SCREW 11/64-40 L= 5.5		*		2.00
28	D2520232DA0	WORK CLAMP FOOT(LEFT)ASM.		*		1.00
29	D2521232DA0	WORK CLAMP FOOT(RIGHT)ASM.		*		1.00
30	SD0550271TP	HINGE SCREW D= 5.50 H= 2.7		*		2.00
31	14141204	PLATE CAM		*		1.00
32	NS6120480SP	NUT 3/16-28		*		2.00
33	14140750	PREVENTING PLATE COMPL.		*		1.00
34	SS9110460CP	SCREW 11/64-40 L=4		*		2.00
35	14140206	PICK-UP INSTALLING BASE		*		1.00
36	14141501	FINGER GUARD		*		1.00
37	SS7090610SP	SCREW 9/64-40 L=6		*		2.00
38	13541503	FEED PLATE				1.00
39	SS9110460CP	SCREW 11/64-40 L=4				1.00
40	WP0501016SD	WASHER 5X10.5X1				1.00
41	B3117352000	THREAD TENSION POST NUT				2.00
42	D2527232D00	SLEEVE				1.00
43	D2528232D00	SHAFT				1.00
44	D2529232D00	PRESSER SPRING				1.00
45	13541602	WORK CLAMP FOOT SPRING HOLDER				1.00
46	SM5040855SN	SCREW				2.00

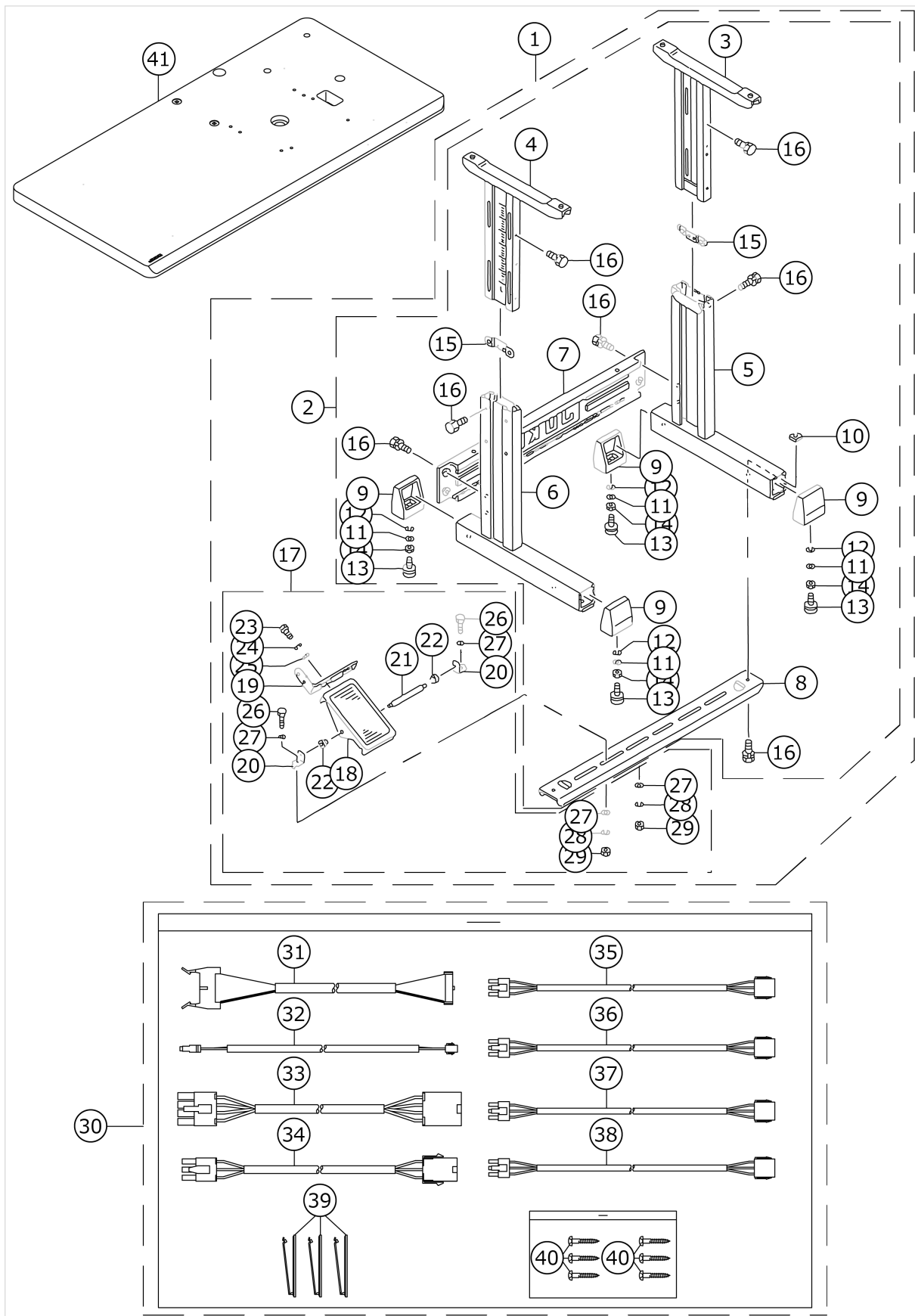
EXCLUSIVE PARTS FOR LK-1902AS,LK-1902AH (1)



No.	品番	品名	備考	子部品	消耗品	個数
1	B1114581000	THREAD GUIDE PLATE				1.00
2	SM4061255SP	SCREW M6 L=12				1.00
3	40006525	NEEDLE BAR THREAD GUIDE	FOR LK-1902AS			1.00
4	D1405L7AM00	NEEDLE BAR THREAD GUIDE	FOR LK-1902AH			1.00
5	MDP500B1400	NEEDLE DPX5 #14	FOR LK-1902AS			1.00
6	MDP170B2100	NEEDLE DPX17 #21	FOR LK-1902AH			1.00
7	13786306	THREAD GUIDE NO.1				1.00
8	SM6030500SN	SCREW M3 L=5				1.00
9	B1229232000	SNAP RING				1.00
10	SD0640216TP	SHOULDER SCREW				1.00
11	SM1040650TP	SCREW				4.00
12	40005712	EARTH CODE ASM.				1.00
13	14143002	FEED PLATE				1.00
14	SM3061052TP	SCREW M6 L=10				1.00
15	WP0621016SD	WASHER 6.2X13X1				1.00
16	40006677	WIPER CONNECTING PLATE				1.00
17	B21012800A0	WIPER ASM.	FOR LK-1902AS			1.00
18	D2101L7AMA0	WIPER ASM.	FOR LK-1902AH			1.00
19	14103352	INNER HOOK PRESSER ASM., B	FOR LK-1902AS			1.00
20	14103659	SHUTTLE RACE RING ASM.,C	FOR LK-1902AH			1.00
21	40006580	SHUTTLE	FOR LK-1902AS			1.00
22	40006581	SHUTTLE (H)	FOR LK-1902AH			1.00
23	40006722	NEEDLE PLATE ASM.,A	FOR LK-1902AS			1.00
24	40006723	NEEDLE PLATE ASM.,H	FOR LK-1902AH			1.00
25	B2417280000	THREAD CUTTER LEVER SHAFT		*		1.00
26	B2426280000	NEEDLE HOLE GUIDE	FOR LK-1902AS	*		1.00
27	14109607	NEEDLE HOLE GUIDE	FOR LK-1902AH	*		1.00
28	SS1060210TP	SCREW 3/32-56 L=2.2		*		2.00
29	40006721	NEEDLE PLATE		*		1.00
30	B2424280000	FIXING KNIFE		*		1.00
31	SS7090410SP	SCREW 9/64-40 L= 3.5		*		2.00
32	B2418280000	MOVING KNIFE LINK		*		1.00
33	B2416280000	THREAD CUTTING LEVER RING		*		1.00
34	B24152800A0	THREAD CUTTER LEVER ASM., SMALL		*		1.00
35	B24142800A0	THREAD CUTTER LEVER ASM., LARGE		*		1.00
36	SS6110430TP	SCREW 11/64-40 L= 4.0		*		1.00
37	WP0450846SP	WASHER		*		1.00
38	SS7110740TP	SCREW 11/64-40 L=7		*		1.00
39	B242328000C	MOVING KNIFE WASHER C	SELECTIVE PARTS	*		1.00
40	B242328000A	MOVING KNIFE WASHER A	SELECTIVE PARTS	*		1.00
41	B242328000B	MOVING KNIFE WASHER B	SELECTIVE PARTS	*		1.00
42	B242328000D	MOVING KNIFE WASHER D	SELECTIVE PARTS	*		1.00
43	B242328000E	MOVING KNIFE WASHER E	SELECTIVE PARTS	*		1.00
44	B24212800A0	MOVING KNIFE ASM.		*		1.00
45	SD0500091TP	HINGE SCREW D= 5.0 H= 0.9		*		1.00

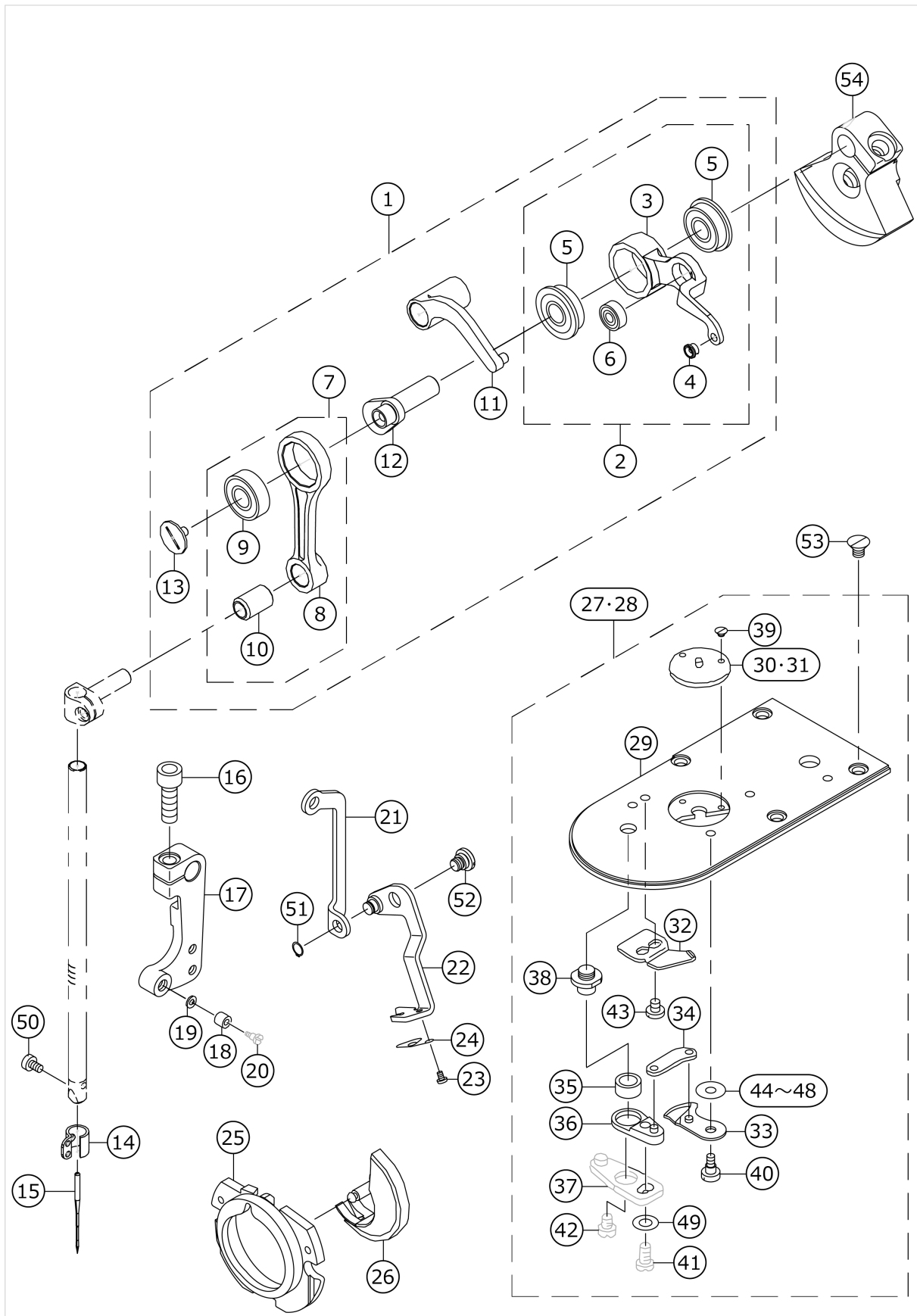
46	40090012	CLOTH FEED BASE ASM.				1.00
47	13544416	CLOTH PRESSER FOOT		*		1.00
48	SS7120910TP	SCREW 3/16-28 L=9		*		4.00
49	13544614	CLOTH FEED BASE COVER		*		1.00
50	13543715	CLOTH FEED BASE		*		1.00
51	40089982	LIFTING LEVER SHAFT D		*		1.00
52	40090010	THRUST COLLAR D		*		1.00
53	SM8060612TP	SCREW M6 L=6		*		2.00
54	13543806	BALL HOLDER		*		1.00
55	SS7151210SP	SCREW 15/64-28 L=12		*		1.00
56	B2549280000	WORK CLAMP FOOT MOUNTING BASE		*		7.00
57	B2548280000	BALL RETAINER		*		1.00
58	SS7110740TP	SCREW 11/64-40 L=7		*		1.00
59	13543905	SPRING SUSPENSION		*		1.00
60	SS6120940SP	SCREW 3/16-28 L=9		*		2.00
61	13544705	SPRING		*		1.00
62	B3413552000	SUSPENSION SCREW		*		1.00
63	13544051	LIFTING LEVER ASM.		*		1.00
64	SS8150822TP	SCREW 15/64-28 L=8		*		2.00
65	B1816280000	GUIDE PIN		*		2.00
66	40090011	WASHER D		*		1.00

EXCLUSIVE PARTS FOR LK-1902AS,LK-1902AH (2)(TABLE STAND COMPONENTS/JT-K43)



No.	品番	品名	備考	子部品	消耗品	個数
1	13508056	T-STAND COMPL.				1.00
2	11157559	T-STAND ASM.		*		1.00
3	11157658	STAND UPPER, RIGHT		*		1.00
4	11157757	STAND UPPER, LEFT		*		1.00
5	11157955	STUD ASM., RIGHT		*		1.00
6	11158052	STRUT JUNCTION (LEFT)		*		1.00
7	11158300	STAND SIDE SUPPORT		*		1.00
8	11158409	STAND SIDE SUPPORT		*		1.00
9	11158607	RUBBER CAP		*		4.00
10	17007402	NUT		*		2.00
11	WP1302501SE	WASHER M12		*		4.00
12	WS1253010KN	SPRING WASHER 12.5X21.5X3		*		4.00
13	B81085550A0	ADJUSTING SCREW ASM. WITH CAP		*		4.00
14	NM6120003SE	NUT M12		*		4.00
15	11158508	PLATE		*		2.00
16	SL9082091SE	WASHER HEXAGONAL BOLT		*		12.00
17	13817754	Z-STAND PEDAL ASM.		*		1.00
18	GPF060600A0	PEDAL ASM.		*		1.00
19	GPF06080000	PEDAL ADJUSTING PLATE		*		1.00
20	11159001	PEDAL SHAFT BRACKET		*		2.00
21	B8153771000	PEDAL CONNECTING ROD		*		1.00
22	D8113555B00	PEDAL BUSHING		*		2.00
23	SM9061203SE	SCREW M6 L=12		*		2.00
24	WP0671016SE	WASHER 6.7X13X1		*		2.00
25	WS0621210KR	SPRING WASHER 6.2X11.4X1.2		*		2.00
26	SM9082023SE	SCREW M8 L=20		*		2.00
27	WP0871602SE	WASHER 8.7X18X1.6		*		4.00
28	WS0861410KR	SPRING WASHER 8.6X15X1.4		*		2.00
29	NM6080721SE	NUT M8		*		2.00
30	40005709	RELAY CODE ASM.				1.00
31	40005739	INT PCB CODE ASM.		*		1.00
32	40005740	AC CODE ASM.		*		1.00
33	40005711	SERVO MOTOR P CODE ASM.		*		1.00
34	40005710	SERVO MOTOR S CODE ASM.		*		1.00
35	40005735	X MOTOR CODE ASM.		*		1.00
36	40005736	Y MOTOR CODE ASM.		*		1.00
37	40005737	P MOTOR CODE ASM.		*		1.00
38	40005738	T MOTOR CODE ASM.		*		1.00
39	M964051000A	CABLE CLIP		*		3.00
40	SK3382001SE	SCREW D=3.8 L=20		*		6.00
41	40006887	TABLE B				1.00

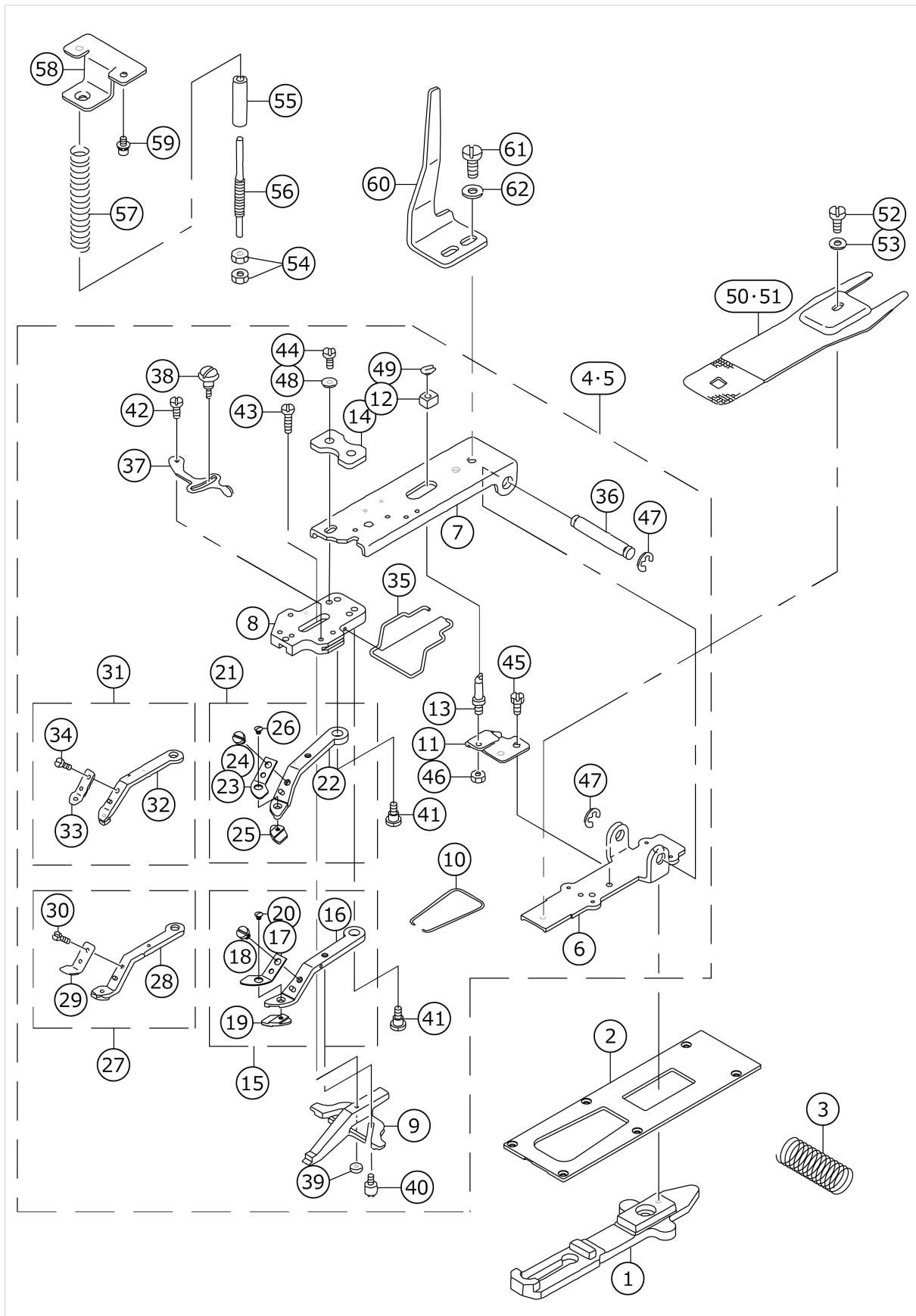
EXCLUSIVE PARTS FOR LK-1903AS-301,LK-1903AS-302 (1)



No.	品番	品名	備考	子部品	消耗品	個数
1	40006923	THREAD TAKE UP B COMPL.				1.00
2	40006924	THREAD TAKE UP LEVER B ASM.		*		1.00
3	40006925	THREAD TAKE UP LEVER B		*		1.00
4	B1908505000	THREAD PASS BUSH		*		1.00
5	SB108002200	BEARING		*		2.00
6	SB104001600	BEARING		*		1.00
7	40006534	NEEDLE BAR CRANK ROD ASM.		*		1.00
8	40006535	NEEDLE BAR CRANK ROD		*		1.00
9	SB108002300	BEARING		*		1.00
10	22891006	NEEDLE BAR CRANK ROD BUSH		*		1.00
11	40006532	THREAD TAKE UP CRANK		*		1.00
12	40006926	NEEDLE ROD CRANK B		*		1.00
13	B1903552000	LEFT SCREW		*		1.00
14	40006525	NEEDLE BAR THREAD GUIDE				1.00
15	MDP170B1400	NEEDLE DPX17 #14				1.00
16	SM6061802TP	SCREW M6 L=18				1.00
17	40011949	CONNECTING ARM B				1.00
18	B2619372000	STOP MOTION TRIPPING LEVER CAM				1.00
19	B185351200E	HOOK SHAFT WASHER				1.00
20	SD0791271SP	HINGE SCREW D= 7.94 H=12.7				1.00
21	40006937	WIPER CONNECTING PLATE B				1.00
22	40033047	WIPER ASM.				1.00
23	SS5060310SP	SCREW 3/32-56 L=2.8				2.00
24	40009860	WIPER THREAD CATCH SPRING				1.00
25	14103352	INNER HOOK PRESSER ASM., B				1.00
26	40006580	SHUTTLE				1.00
27	40006725	NEEDLE PLATE ASM.,M	FOR LK-1903AS-301			1.00
28	40006726	NEEDLE PLATE ASM.,K	FOR LK-1903AS-302			1.00
29	40006721	NEEDLE PLATE		*		1.00
30	MAZ15801000	GUIDE	FOR LK-1903AS-301	*		1.00
31	MAZ15601000	GUIDE	FOR LK-1903AS-302	*		1.00
32	B2424280000	FIXING KNIFE		*		1.00
33	B24212800A0	MOVING KNIFE ASM.		*		1.00
34	B2418280000	MOVING KNIFE LINK		*		1.00
35	B2416280000	THREAD CUTTING LEVER RING		*		1.00
36	B24152800A0	THREAD CUTTER LEVER ASM., SMALL		*		1.00
37	B24142800A0	THREAD CUTTER LEVER ASM., LARGE		*		1.00
38	B2417280000	THREAD CUTTER LEVER SHAFT		*		1.00
39	SS1060210TP	SCREW 3/32-56 L=2.2		*		2.00
40	SD0500091TP	HINGE SCREW D= 5.0 H= 0.9		*		1.00
41	SS7110740TP	SCREW 11/64-40 L=7		*		1.00
42	SS6110430TP	SCREW 11/64-40 L= 4.0		*		1.00
43	SS7090410SP	SCREW 9/64-40 L= 3.5		*		2.00
44	B242328000A	MOVING KNIFE WASHER A	SELECTIVE PARTS	*		1.00
45	B242328000B	MOVING KNIFE WASHER B	SELECTIVE PARTS	*		1.00

46	B242328000C	MOVING KNIFE WASHER C	SELECTIVE PARTS	*		1.00
47	B242328000D	MOVING KNIFE WASHER D	SELECTIVE PARTS	*		1.00
48	B242328000E	MOVING KNIFE WASHER E	SELECTIVE PARTS	*		1.00
49	WP0450846SP	WASHER		*		1.00
50	SM6030500SN	SCREW M3 L=5				1.00
51	RC0470611KP	RETAINING RING 4.7				1.00
52	SD0640216TP	SHOULDER SCREW				1.00
53	SM1040650TP	SCREW				4.00
54	40010429	COUNTER_WEIGHT_B				1.00

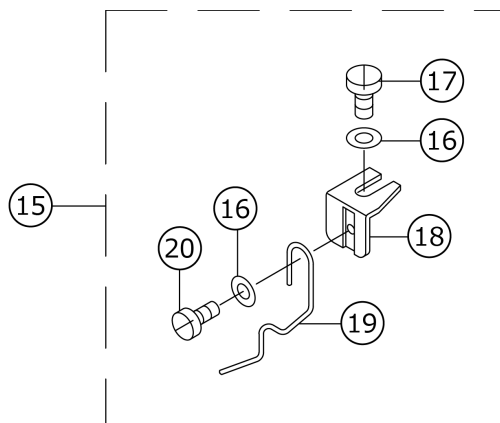
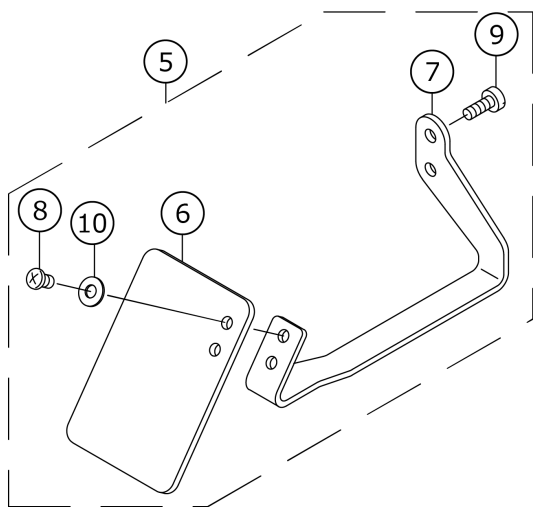
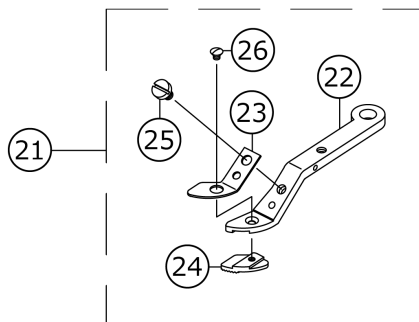
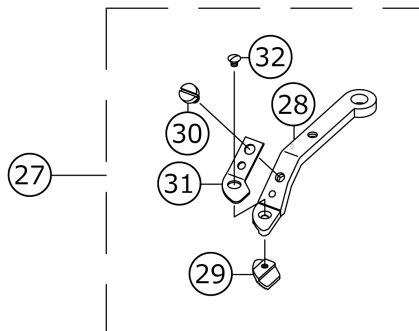
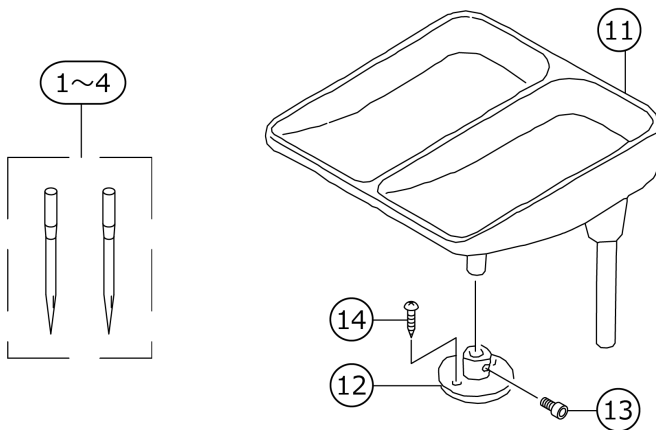
EXCLUSIVE PARTS FOR LK-1903AS-301,LK-1903AS-302 (2)



No.	品番	品名	備考	子部品	消耗品	個数
1	14145106	CLOTH FEED PLATE				1.00
2	40006935	CROTH FEED PRESSER PLATE B				1.00
3	14148407	VERTICAL FEED SHAFT SPRING				1.00
4	14145858	VERY SMALL CLAMP MECHANISM ASM	FOR LK-1903AS-301			1.00
5	14145650	MEDIUM CLAMP MECHANISM ASM.	FOR LK-1903AS-302			1.00
6	14146104	PICK-UP INSTALLING BASE		*		1.00
7	14146203	PICK-UP FOOT INSTALLING BASE		*		1.00
8	14146302	PICK-UP FOOT INSTALLING BASE		*		1.00
9	B2552372000	BUTTON CLAMP SLIDE		*		1.00
10	MAZ15513000	BUTTON CLAMP JAW LEVER SPRING		*		1.00
11	MAZ15514000	SUPPORT PLATE		*		1.00
12	MAZ15515000	SLIDE BLOCK		*		1.00
13	13540901	STATIONING BLOCK SHAFT		*		1.00
14	14146401	PRESSER PLATE		*		1.00
15	14149058	MIDDLE CLAMP JAW LEVER ASM.,R	FOR LK-1903AS-302	*		1.00
16	MAZ15507000	SMALL CLAMP JAW LEVER ASM.,L		*		1.00
17	MAZ15509000	SPRING, RIGHT		*		1.00
18	SS7090410SP	SCREW 9/64-40 L= 3.5		*		1.00
19	14149009	PLATE L, R		*		1.00
20	SS2060310SP	SCREW 3/32-56 L=3		*		1.00
21	14149157	MIDDLE CLAMP JAW LEVER ASM.,L	FOR LK-1903AS-302	*		1.00
22	MAZ15508000	SMALL CLAMP JAW LEVER, L		*		1.00
23	MAZ15510000	SPRING, LEFT		*		1.00
24	SS7090410SP	SCREW 9/64-40 L= 3.5		*		1.00
25	14149108	PLATE L, L		*		1.00
26	SS2060310SP	SCREW 3/32-56 L=3		*		1.00
27	MAZ158070BB	EXTRA SMALL CLAMP LEVER ASM.,L	FOR LK-1903AS-301	*		1.00
28	MAZ158070AB	EXTRA SMALL CLAMP LEVER ASM.,L		*		1.00
29	MAZ15809000	SPRING,RIGHT		*		1.00
30	SS7090410SP	SCREW 9/64-40 L= 3.5		*		1.00
31	MAZ158080BB	EXTRA SMALL CLAMP LEVER ASM.,L	FOR LK-1903AS-301	*		1.00
32	MAZ158080AB	EXTRA SMALL CLAMP LEVER ASM.,L		*		1.00
33	MAZ15810000	SPRING,LEFT		*		1.00
34	SS7090410SP	SCREW 9/64-40 L= 3.5		*		1.00
35	D3130M1YC00	FINGER GUARD		*		1.00
36	14141402	INSTALLING SHAFT		*		1.00
37	B2548372000	SNAP FASTENER CLAMP STOP LEVER		*		1.00
38	B2549372000	CLAMP SCREW A		*		1.00
39	B2553372000	NUT		*		1.00
40	B2560372000	BUTTON CLAMP STOP PIN		*		2.00
41	SD0640391TP	HINGE SCREW D= 6.35 H= 3.9		*		2.00
42	SD0550181SP	HINGE SCREW D= 5.50 H= 1.8		*		1.00
43	SD0550301SP	HINGE SCREW D=5.5 H=3		*		1.00
44	SS9621413SP	SCREW 3/16-32 L=13.5		*		2.00

45	SS9110460CP	SCREW 11/64-40 L=4		*		2.00
46	NS6150310SP	NUT 15/64-28		*		1.00
47	RE0700000K0	E-RING 7		*		2.00
48	WP0501016SD	WASHER 5X10.5X1		*		2.00
49	D2548232D00	SNAP RING,FOR CONNECTING ROD		*		1.00
50	MAZ15502000	PRESSURE PLATE	FOR LK-1903AS-301			1.00
51	MAZ15602000	PRESSURE PLATE	FOR LK-1903AS-302			1.00
52	SS9110543CP	SCREW 11/64-40 L=5.3				1.00
53	WP0501016SD	WASHER 5X10.5X1				1.00
54	B3125012000	THREAD TENSION NUT				2.00
55	D2527232D00	SLEEVE				1.00
56	14146906	ADJUSTING SHAFT				1.00
57	13812003	PRESSURE SPRING				1.00
58	13811906	ACCEPT PLATE, UPPER				1.00
59	SL6040892TN	BOLT				2.00
60	MAZ15516000	MOVING PLATE				1.00
61	SS9151120CP	SCREW 15/64-28 L=11				2.00
62	WP0612516SD	WASHER 6.1X15.2X2.5				2.00

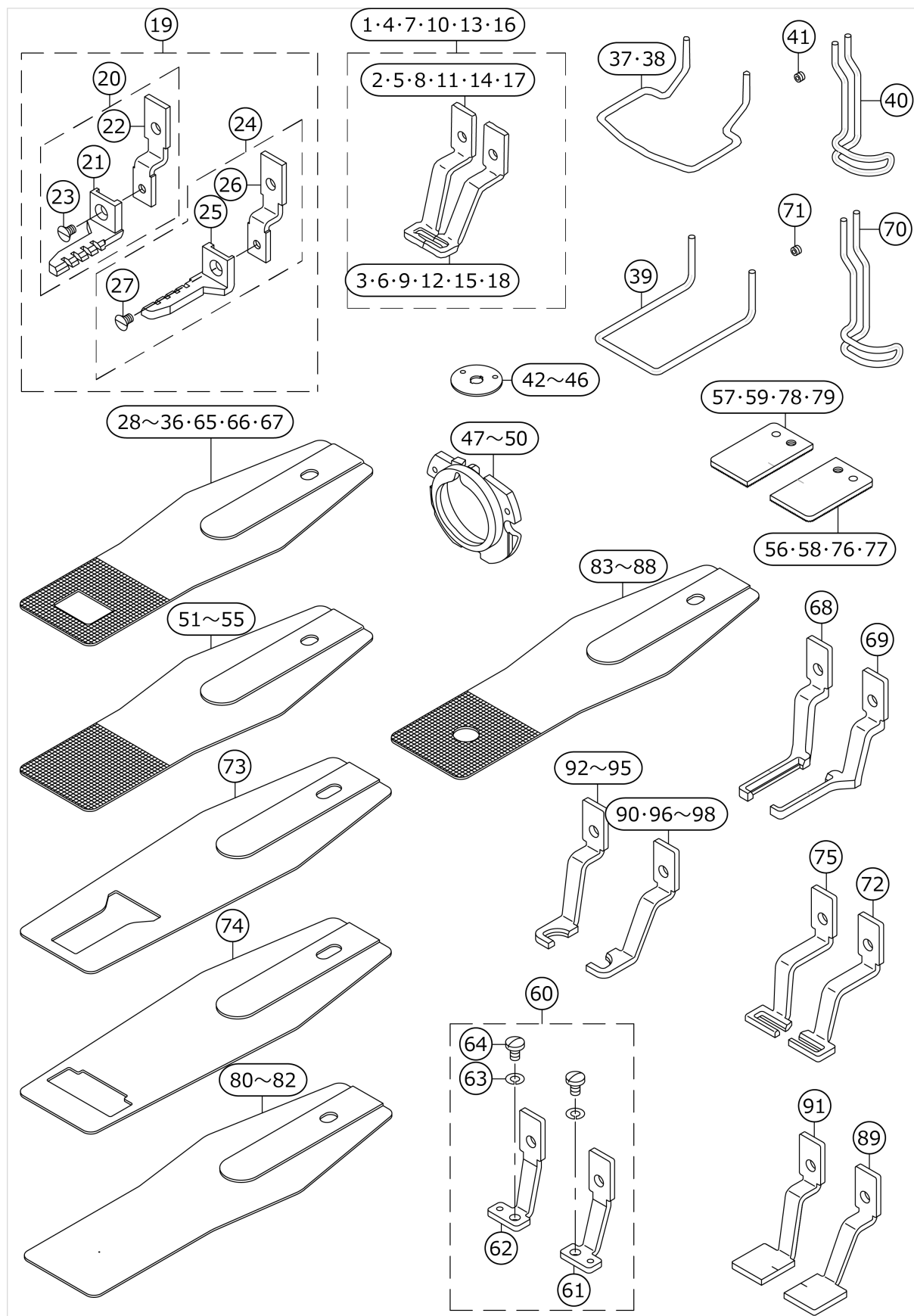
ACCESSORIES PARTS FOR LK-1900A SUBCLASSES



No.	品番	品名	備考	子部品	消耗品	個数
1	MDP500B1402	NEEDLE DPX5#14-2	FOR LK-1901AS, LK-1902AS,USE IN JAPAN			1.00
2	MDP500B1602	NEEDLE DPX5#16-2	FOR LK-1901AS, LK-1902AS(EXCE PT USE IN JAPA N)			1.00
3	MDP170B2102	NEEDLE DPX17#21-2	FOR LK-1902AH			1.00
4	MDP170B1402	NEEDLE DPX17#14-2	FOR LK-1903AS- 301,LK-1903AS- 302			1.00
5	40006485	SAFETY PLATE ASM B	FOR LK-1902AS,LK-1902AH			1.00
6	13889407	SAFETY PLATE		*		1.00
7	40052810	SAFETY PLATE INSTALLING BASE		*		1.00
8	SM4040655SP	SCREW M4 L=6		*		2.00
9	SM6041150TP	SCREW		*		2.00
10	WP0450801SD	WASHER 4.5X10X0.8		*		2.00
11	17848458	BUTTON TRAY ASM.	FOR LK-1903AS- 301,LK-1903AS- 302			1.00
12	40033635	BUTTON TRAY BASE	FOR LK-1903AS- 301,LK-1903AS- 302			1.00
13	SM6061202TP	SCREW M6 L=12	FOR LK-1903AS- 301,LK-1903AS- 302			1.00
14	SK3412001SE	WOOD SCREW D=4.1 L=20	FOR LK-1903AS- 301,LK-1903AS- 302			2.00
15	14146757	BUTTON RISING BAR ASM.	FOR LK-1903AS- 301,LK-1903AS- 302			1.00
16	WP0370316SD	WASHER 3.7X8X0.3		*		2.00
17	SS9090813TP	SCREW 9/64-40 L=8		*		1.00
18	14146807	INSTALLING BASE		*		1.00
19	14146708	BUTTON RISING BAR		*		1.00
20	SS6080340SP	SCREW 1/8-44 L=2.9		*		1.00
21	14148852	SMALL CLAMP JAW LEVER ASM.,R	FOR LK-1903AS-301			1.00
22	MAZ15507000	SMALL CLAMP JAW LEVER ASM.,L		*		1.00
23	MAZ15509000	SPRING, RIGHT		*		1.00
24	14148803	PLATE K, R		*		1.00
25	SS7090410SP	SCREW 9/64-40 L= 3.5		*		1.00
26	SS2060310SP	SCREW 3/32-56 L=3		*		1.00
27	14148951	SMALL CLAMP JAW LEVER ASM.,L	FOR LK-1903AS-301			1.00
28	MAZ15508000	SMALL CLAMP JAW LEVER, L		*		1.00
29	14148902	PLATE K, L		*		1.00
30	SS7090410SP	SCREW 9/64-40 L= 3.5		*		1.00

31	MAZ15510000	SPRING, LEFT		*		1.00
32	SS2060310SP	SCREW 3/32-56 L=3		*		1.00

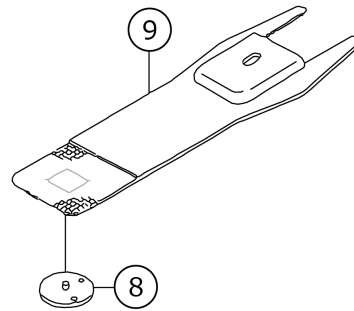
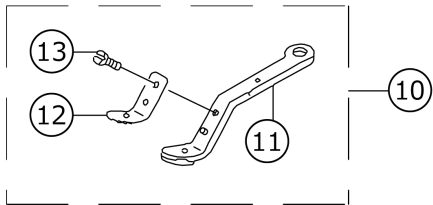
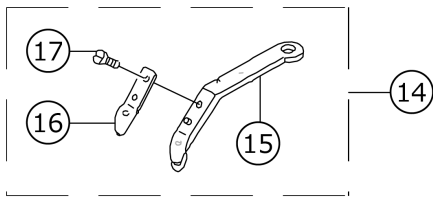
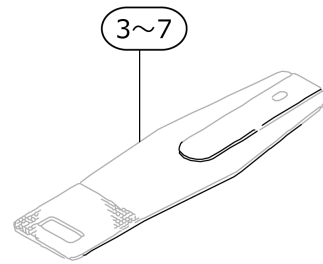
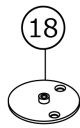
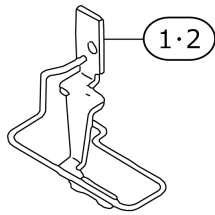
OPTION COMPONENTS (1)



No.	品番	品名	備考	子部品	消耗品	個数
1	13518659	WORK CLAMP FOOT ASM.				1.00
2	13518600	WORK CLAMP FOOT, RIGHT		*		1.00
3	13518709	WORK CLAMP FOOT, LEFT		*		1.00
4	13548557	WORK CLAMP FOOT ASM.				1.00
5	13548508	WORK CLAMP FOOT. RIGHT		*		1.00
6	13548607	WORK CLAMP FOOT. LEFT		*		1.00
7	13548151	CLOTH PRESSER FOOT ASM.				1.00
8	13548102	WORK CLAMR FOOT. RIGHT		*		1.00
9	13548201	WORK CLAMR FOOT LEFT		*		1.00
10	13542451	WORK CLAMP FOOT ASM.				1.00
11	13542402	WORK CLAMP FOOT, RIGHT		*		1.00
12	13542501	WORK CLAMP FOOT, LEFT		*		1.00
13	13542964	PRESSER ASM.				1.00
14	13542915	WORK CLAMP FOOT, RIGHT		*		1.00
15	13543012	WORK CLAMP FOOT, LEFT		*		1.00
16	13571955	WORK CLAMP FOOT ASM.				1.00
17	13571906	CLOTH PRESSER FOOT (RIGHT)		*		1.00
18	13572003	CLOTH PRESSER FOOT (LEFT)		*		1.00
19	13561360	WORK CLAMP FOOT ASM.				1.00
20	13561352	WORK CLAMP FOOT ASM.,RIGHT		*		1.00
21	13561303	CLOTH PRESSER FOOT (RIGHT)		*		1.00
22	13562509	PRESSER FOOT SLIDING PLATE (R)		*		1.00
23	SS1110640TP	SCREW 11/64-40 L= 5.5		*		1.00
24	13561451	WORK CLAMP FOOT ASM.,LEFT		*		1.00
25	13561402	CLOTH PRESSER FOOT (LEFT)		*		1.00
26	13562608	PRESSER FOOT SLIDING PLATE (L)		*		1.00
27	SS1110640TP	SCREW 11/64-40 L= 5.5		*		1.00
28	14116107	FEED PLATE A				1.00
29	14116404	FEED PLATE D				1.00
30	14116305	FEED PLATE C				1.00
31	13548003	FEED PLATE				1.00
32	13554506	FEED PLATE				1.00
33	14116602	FEED PLATE F				1.00
34	14116206	FEED PLATE B				1.00
35	14116503	FEED PLATE E				1.00
36	14116701	FEED PLATE G				1.00
37	13533104	FINGER GUARDE				1.00
38	13548300	FINGER GUARD				1.00
39	13573407	FINGER GUARD				1.00
40	14120000	FINGER GUARD				1.00
41	SM8040302TP	SETSCREW				1.00
42	B2426280000	NEEDLE HOLE GUIDE				1.00
43	B242628000B	NEEDLE HOLE GUIDE B				1.00
44	14109607	NEEDLE HOLE GUIDE				1.00
45	D2426282C00	NEEDLE HOLE GUIDE				1.00
46	D2426MMCK00	NEEDLE HOLE GUIDE				1.00
47	14103253	INNER HOOK PRESSER ASM., A				1.00
48	14103352	INNER HOOK PRESSER ASM., B				1.00
49	14103659	SHUTTLE RACE RING ASM.,C				1.00
50	B1817210DAD	SHUTTLE RACE RING ASM.,D				1.00

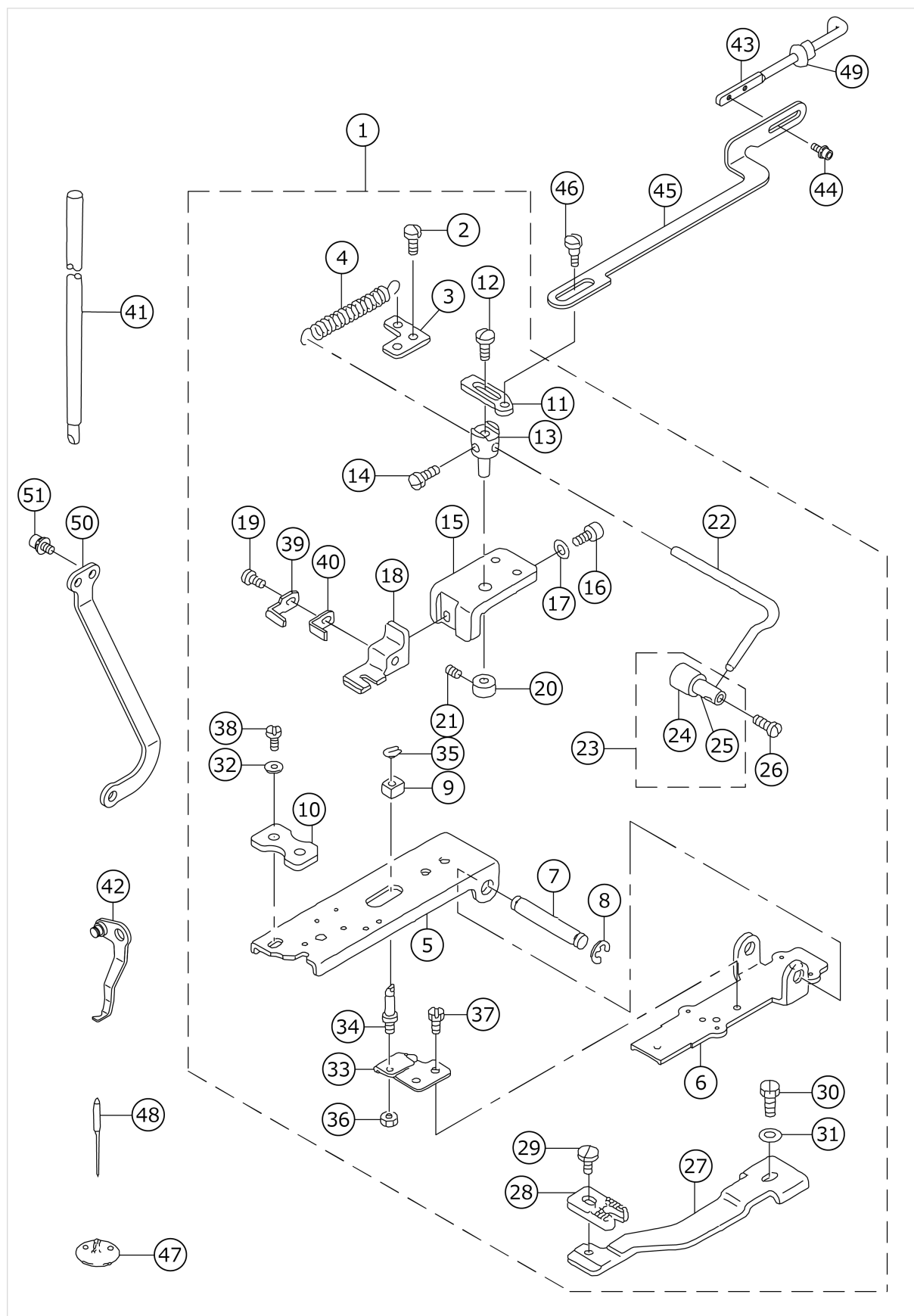
51	14120109	FEED PLATE BLANK A				1.00
52	14120208	FEED PLATE BLANK B				1.00
53	14120505	FEED PLATE BLANK C				1.00
54	14120307	FEED PLATE BLANK D				1.00
55	14120406	FEED PLATE BLANK E				1.00
56	14121701	CLOTH PRESSER BLANK,R(SURFACE)				1.00
57	14121800	CLOTH PRESSER BLANK,L(SURFACE)				1.00
58	14121909	CLOTH PRESSER BLANK,RIGHT				1.00
59	14122006	CLOTH PRESSER BLANK,LEFT				1.00
60	14121263	WORK CLAMP FOOT ASM.				1.00
61	14121255	WORK CLAMP FOOT ASM.,RIGHT		*		1.00
62	14121354	WORK CLAMP FOOT ASM.,LEFT		*		1.00
63	WS0451040KP	SPRING WASHER 4.5X8.5X1		*		2.00
64	SS7110710SP	SCREW 11/64-40 L=7		*		2.00
65	14116800	FEED PLATE H				1.00
66	14116909	FEED PLATE I				1.00
67	13554803	FEED PLATE				1.00
68	14137608	WORK CLAMP FOOT A ,LEFT				1.00
69	14137509	WORK CLAMP FOOT A ,RIGHT				1.00
70	14135305	FINGER GUARDE				1.00
71	SM8040302TP	SETSCREW				1.00
72	14137806	CLOTH PRESSER FOOT B ,RIGHT				1.00
73	14137707	CLOTH PRESSER LOWER PLATE A				1.00
74	14138002	CLOTH PRESSER LOWER PLATE B				1.00
75	14137905	CLOTH PRESSER FOOT B ,LEFT				1.00
76	40021851	WORK CLAMP BLANK RIGHT(PLATING)				1.00
77	40021853	WORK CLAMP BLANK RIGHT(NO PLATING)				1.00
78	40021852	WORK CLAMP BLANK LEFT(PLATING)				1.00
79	40021854	WORK CLAMP BLANK LEFT(NO PLATING)				1.00
80	40021855	FEED PLATE A(NO GIZA/PLATING)				1.00
81	40021856	FEED PLATE B(NO GIZA/NO PLATING)				1.00
82	40021857	FEED PLATE C(NO GIZA/SUS)				1.00
83	40021858	FEED PLATE D(GIZA/PLATING)				1.00
84	40021859	FEED PLATE E(GIZA/NO PLATING)				1.00
85	40021873	FEED PLATE D9- 14				1.00
86	40021876	FEED PLATE 12				1.00
87	40021879	FEED PLATE 10				1.00
88	40021882	FEED PLATE 14				1.00
89	40021870	WORK CLAMP FOOT BLANK LEFT				1.00
90	40021872	WORK CLAMP FOOT D9- 14 LEFT				1.00
91	40021869	WORK CLAMP FOOT BLANK RIGHT				1.00
92	40021871	WORK CLAMP FOOT D9- 14 RIGHT				1.00
93	40021874	WORK CLAMP FOOT 12 RIGHT				1.00
94	40021877	WORK CLAMP FOOT 10 RIGHT				1.00
95	40021880	WORK CLAMP FOOT 14 RIGHT				1.00
96	40021875	WORK CLAMP FOOT 12 LEFT				1.00
97	40021878	WORK CLAMP FOOT 10 LEFT				1.00
98	40021881	WORK CLAMP FOOT 14 LEFT				1.00

OPTION COMPONENTS (2) (FOR LK-1902A,LK-1903A)



No.	品番	品名	備考	子部品	消耗品	個数
1	13545660	WORK CLAMP FOOT ASM.	FOR LK-1902A			1.00
2	13547161	WORK CLAMP FOOT ASM.	FOR LK-1902A			1.00
3	13545504	FEED PLATE	FOR LK-1902A			1.00
4	13545801	FEED PLATE	FOR LK-1902A			1.00
5	13547005	FEED PLATE	FOR LK-1902A			1.00
6	13546700	CLOTH PRESSER PLATE	FOR LK-1902A			1.00
7	13548706	CLOTH PRESSER LOWER PLATE	FOR LK-1902A			1.00
8	MAZ15701000	GUIDE	FOR LK-1903A			1.00
9	MAZ15702000	PRESSURE PLATE	FOR LK-1903A			1.00
10	MAZ157070BB	LARGE CLAMP JAW LEVER ASM.,R	FOR LK-1903A			1.00
11	MAZ157070AB	LARGE CLAMP JAW LEVER ASM.,R		*		1.00
12	MAZ15709000	SPRING,RIGHT		*		1.00
13	SS7090410SP	SCREW 9/64-40 L= 3.5		*		1.00
14	MAZ157080BB	LARGE CLAMP JAW LEVER ASM.,L	FOR LK-1903A			1.00
15	MAZ157080AB	LARGE CLAMP JAW LEVER ASM.,R		*		1.00
16	MAZ15710000	SPRING,LEFT		*		1.00
17	SS7090410SP	SCREW 9/64-40 L= 3.5		*		1.00
18	14149603	GUIDE	FOR LK-1903A			1.00

LK-1903A:OPTION COMPONENTS(FOR SHANK BUTTON)



No.	品番	品名	備考	子部品	消耗品	個数
1	14146054	PICK-UP DEVICE COMPL.				1.00
2	SS7110740TP	SCREW 11/64-40 L=7		*		2.00
3	MAZ16012000	LEVER SPRING HOOK		*		1.00
4	MAZ16013000	BUTTON SUPPORT LEVER SPRING		*		1.00
5	14146203	PICK-UP FOOT INSTALLING BASE		*		1.00
6	14146104	PICK-UP INSTALLING BASE		*		1.00
7	14141402	INSTALLING SHAFT		*		1.00
8	RE0700000K0	E-RING 7		*		2.00
9	MAZ15515000	SLIDE BLOCK		*		1.00
10	14146401	PRESSER PLATE		*		1.00
11	MAZ16014000	BUTTON SUPPORT RELEASE LEVER		*		1.00
12	SS7110740TP	SCREW 11/64-40 L=7		*		1.00
13	MAZ16011000	BUTTON SUPPORT LEVER SHAFT		*		1.00
14	SS7110740TP	SCREW 11/64-40 L=7		*		1.00
15	MAZ16004000	BUTTON CLAMP BASE		*		1.00
16	SS6111052TP	SCREW		*		1.00
17	WP0482086SD	WASHER 4.8X11.5X2		*		1.00
18	MAZ16005000	BUTTON CLAMP BASE		*		1.00
19	SS7090510SP	SCREW 9/64-40 L= 4.6		*		1.00
20	CS0640811SP	THRUST COLLAR D=6.35 W=8		*		1.00
21	SS8110410TP	SCREW 11/64-40 L= 3.5		*		1.00
22	MAZ16010000	BUTTON SUPPORT LEVER		*		1.00
23	MAZ160090A0	BUTTON SUPPORT RUBBER ASM.		*		1.00
24	MAZ16009000	BUTTON SUPPORT RUBBER		*		1.00
25	B2406372000	SHANK BUTTON HOLDING CLAMP		*		1.00
26	SS7110740TP	SCREW 11/64-40 L=7		*		1.00
27	MAZ16002000	FEED PLATE		*		1.00
28	MAZ1600300A	FEED PLATE, A		*		1.00
29	SS6110480SP	SCREW 11/64-40 L=4.3		*		1.00
30	SS9111010SP	SCREW 11/64-40 L=9.5		*		1.00
31	WP0482086SD	WASHER 4.8X11.5X2		*		1.00
32	WP0501016SD	WASHER 5X10.5X1		*		2.00
33	MAZ15514000	SUPPORT PLATE		*		1.00
34	13540901	STATIONING BLOCK SHAFT		*		1.00
35	D2548232D00	SNAP RING, FOR CONNECTING ROD		*		1.00
36	NS6150310SP	NUT 15/64-28		*		1.00
37	SS9110460CP	SCREW 11/64-40 L=4		*		2.00
38	SS9621413SP	SCREW 3/16-32 L=13.5		*		2.00
39	MAZ16022000	BUTTON CLAMP SUPPORT, FRONT		*		1.00
40	MAZ16023000	BUTTON CLAMP SUPPORT, REAR		*		1.00
41	D1401M1YC0A	NEEDLE BAR				1.00
42	MAZ160170A0	WIPER ASM.				1.00
43	40015434	MOVING PLATE LINK A				1.00
44	SL6030892TN	SCREW M3 L=8				2.00
45	MAZ16015000	BUTTON SUPPORT LINK				1.00
46	SD0640321TP	HINGE SCREW D=6.35 H=3.2				1.00
47	MAZ16021000	NEEDLE HOLE GUIDE				1.00
48	MTQ300B1400	NEEDLE TQX3 #14				1.00
49	14148209	BUSHING				1.00
50	40010103	CONNECTING LINK				1.00

51	SL6040892TN	BOLT				2.00
----	-------------	------	--	--	--	------

HOW TO MAKE USE OF THIS PARTS LIST

1.Explanation of codes

1)"*"mark.....means this part is changed from the previous parts book.

As to the details of the change, refer to the "List for information of change".

2)"#01".....refer to "Note" explanation at bottom of page.

2.Codes on the "Qty" column

· Each numeral indicates the number of parts required.

· "0.1" and "2.5" indicate the length (in meters) of the respective parts.

3.Parentheses mean that the corresponding part is a subpart that constructs an assembly part.

4.Dotted lines on the Figures indicate assembly parts.

1."注記"欄の記号説明

1) "*"印.....前回のパーツブックに比較して今回変更された部品を意味します。

変更内容は、"変更情報リスト"を参照してください。

2) "#01".....ページ下の"注記"の説明を参照してください。

2.数量欄の数字は、個数を表し、0.1、2.5等の数値は、長さ（単位メートル）を表します。

3.数量欄の（ ）は、組部品を構成している子部品であることを意味します。

4.イラストページの-----枠は、組構成であることを意味します。