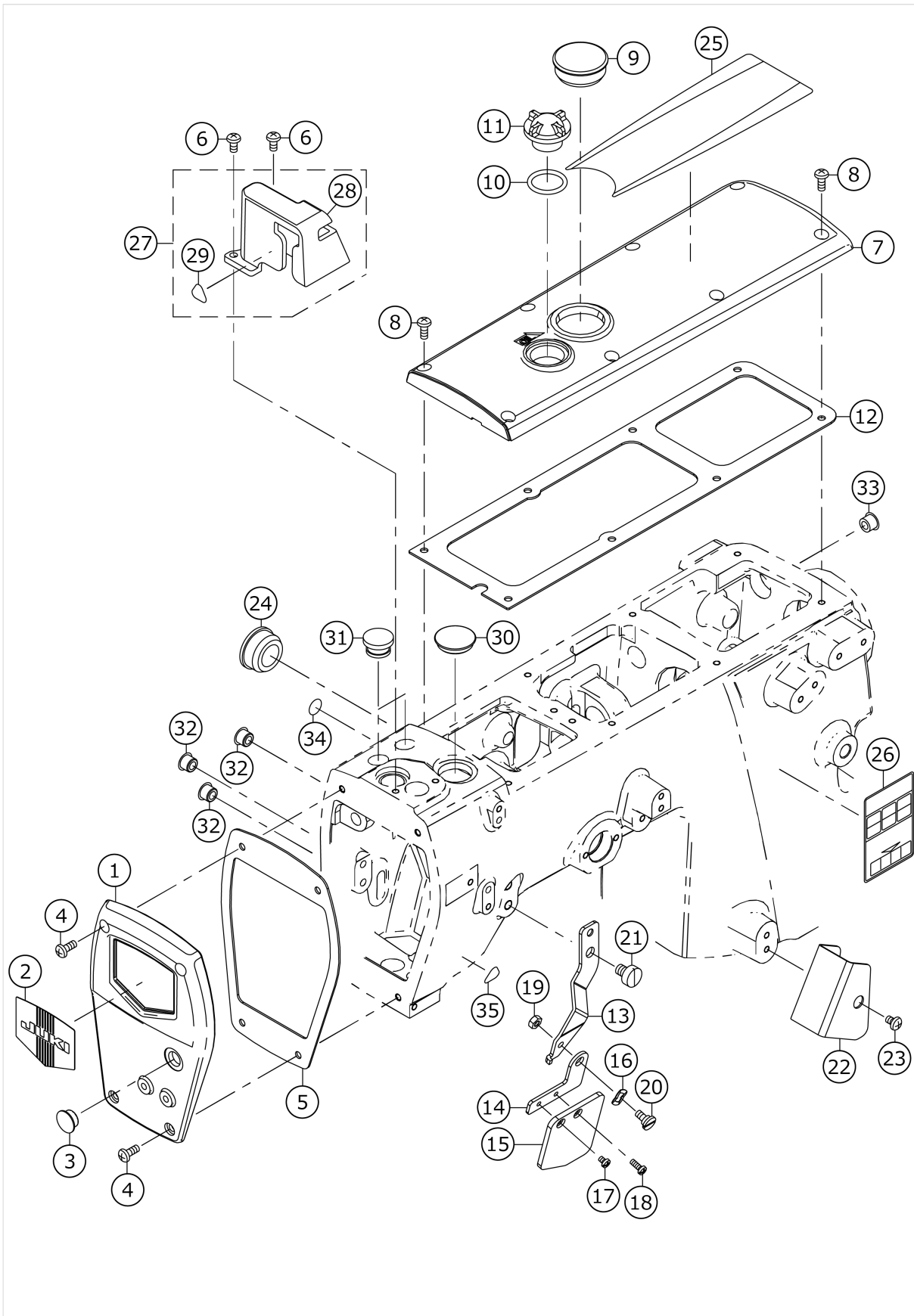


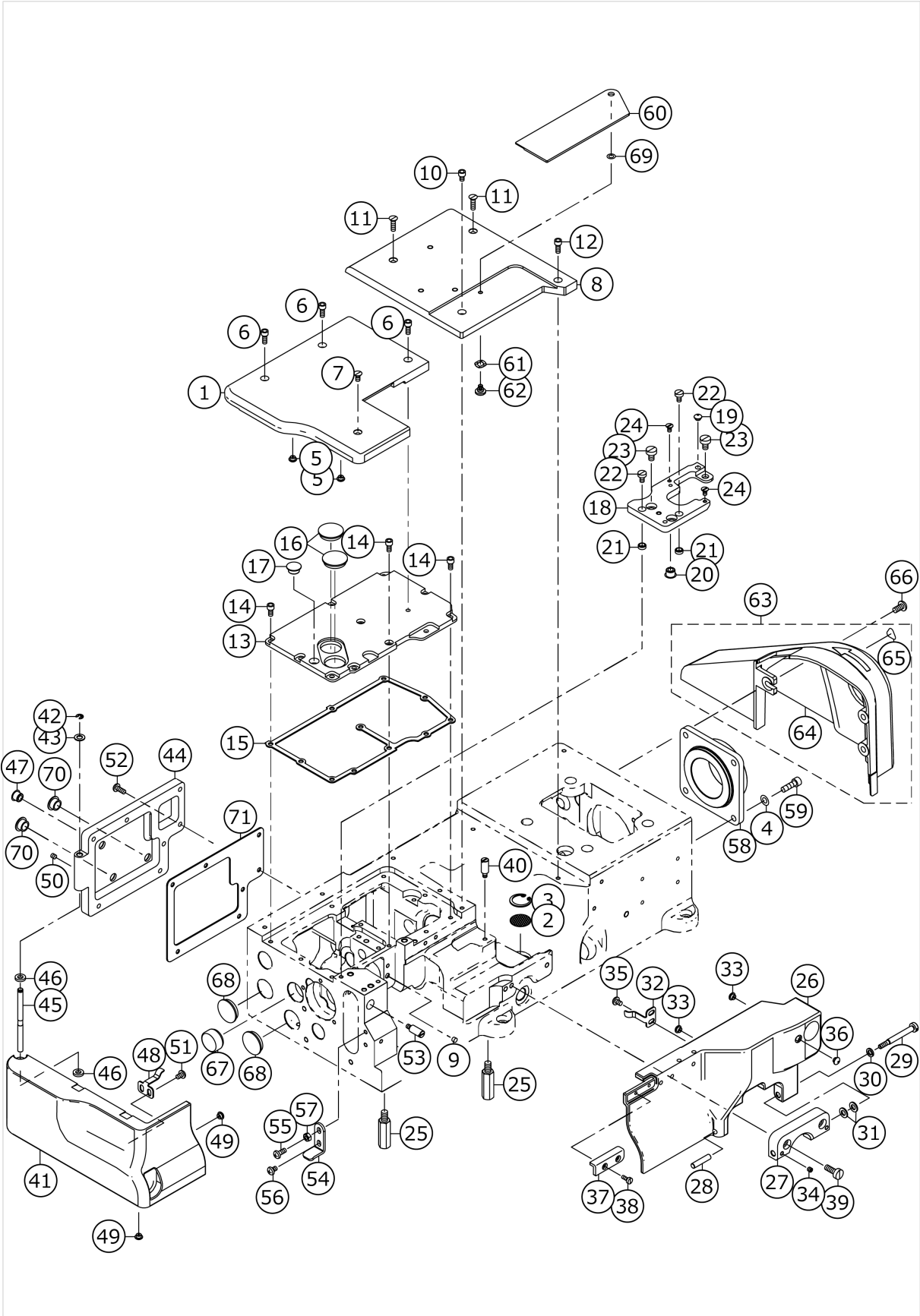
MF-7500D SERIES

MISCELLANEOUS COVER COMPONENTS (1)



No.	品番	品名	備考	子部品	消耗品	個数
1	70001411	FACE COVER				1.00
2	22902506	PLATE				1.00
3	TA1050504R0	RUBBER PLUG				1.00
4	SM4041055SP	SCREW				4.00
5	70001416	GASKET H				1.00
6	SM4040855SP	SCREW				2.00
7	70001409	TOP COVER				1.00
8	SM4041055SP	SCREW				8.00
9	10753309	WINDOW PLATE RUBBER PLUG				1.00
10	RO195240100	O-RING				1.00
11	22924708	OIL SIGHT WINDOW				1.00
12	13300801	GASKET T				1.00
13	70001421	BRACKET HOLDER				1.00
14	40033341	BRACKET				1.00
15	13301700	PROTECTION SHIELD				1.00
16	WZ0641510KP	WAVED WASHER 6.4X11X0.3				1.00
17	SM4030455SN	SCREW				1.00
18	SM4030855SN	SCREW M3 L=8.0				1.00
19	NM6040000SN	NUT M4				1.00
20	SD0640246SP	SHOULDER SCREW D=6.35 H=2.4				1.00
21	SM4060801SE	SCREW				1.00
22	70001422	THREAD COVER				1.00
23	SM4040655SP	SCREW M4 L=6				1.00
24	TA2351004R0	RUBBER PLUG				1.00
25	70001430	SEMI DRY LABEL				1.00
26	CM301200001	SAFETY LABEL S				1.00
27	70001837	NEEDLE BAR GUARD ASSY				1.00
28	70001407	NEEDLE BAR GUARD		*		1.00
29	CM300200001	FINGER INJURY CAUTION LABEL (16)		*		1.00
30	TA2050406R0	RUBBER PLUG				1.00
31	TA1250705R0	RUBBER PLUG				2.00
32	TA0850604R0	RUBBER PLUG				3.00
33	TA0850604R0	RUBBER PLUG				1.00
34	22901805	GROUND MARK				1.00
35	CM300200001	FINGER INJURY CAUTION LABEL (16)				1.00

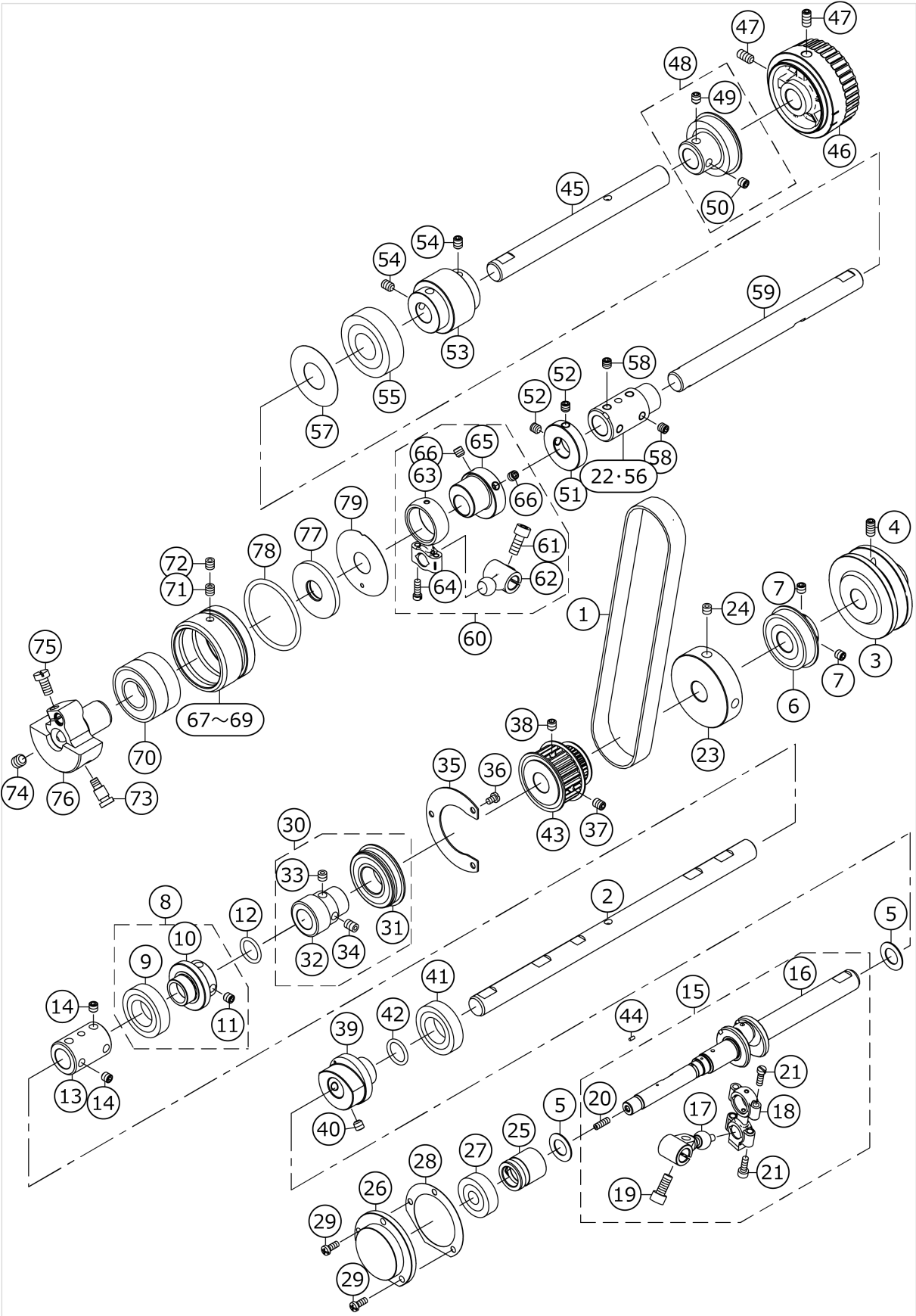
MISCELLANEOUS COVER COMPONENTS (2)



No.	品番	品名	備考	子部品	消耗品	個数
1	70001420	CLOTH PLATE LEFT				1.00
2	13426903	MESH PLATE				1.00
3	RC1900002KP	C-RING 19(20.5)				1.00
4	WP0531000SD	WASHER M5				4.00
5	13302302	RUBBER BUMPER				2.00
6	SM6041002TP	SCREW M4X0.7 L=10				3.00
7	SM1040800SP	SCREW				1.00
8	70001978	CLOTH_PLATE_RIGHT				1.00
9	TA0400301M0	PLUG D=4X4.5 L=3				1.00
10	SM6040602TP	SCREW M4X0.7 L=6				1.00
11	SM1041400SP	SCREW				2.00
12	SM6041002TP	SCREW M4X0.7 L=10				1.00
13	70001415	BED TOP COVER				1.00
14	SM6040800SP	SCREW				11.00
15	70001423	GASKET B				1.00
16	TA2050416R0	RUBBER PLUG				2.00
17	TA1050504R0	RUBBER PLUG				1.00
18	70001424	THROAT PLATE SUPPORT				1.00
19	13302302	RUBBER BUMPER				1.00
20	TA0850604R0	RUBBER PLUG				1.00
21	40082196	ADJUSTING COLLAR				2.00
22	SM6040750TP	SCREW M4 L=7				2.00
23	SM6050800SP	SCREW M5 L=8				3.00
24	13302203	SCREW				2.00
25	13301809	SUPPORT STUD				4.00
26	70001426	SWING DOWN COVER				1.00
27	70004972	HINGE				1.00
28	13409800	DIFF LINK PIN				1.00
29	70001414	SCREW				1.00
30	WS0510002KP	SPRING WASHER 5.1X9.2X1.3				1.00
31	WP0531000SC	WASHER 5.3X10X1				2.00
32	13304308	LATCH SPRING				1.00
33	13302302	RUBBER BUMPER				2.00
34	SM8040412TP	SET SCREW M4 L=4				2.00
35	SM4040655SP	SCREW M4 L=6				2.00
36	13302302	RUBBER BUMPER				1.00
37	40099371	BRACKET				1.00
38	SM6030800SP	SCREW M3X0.5 L=8				2.00
39	SM6051400SP	SCREW				2.00
40	13302104	PIN				1.00
41	70001418	SIDE COVER				1.00
42	RE0300000K0	E-RING 3				1.00
43	WP0550800SP	WASHER 5.5X10X0.8				1.00
44	70001659	FEED CHAMBER COVER				1.00
45	13305107	PIN FOR SIDE COVER				1.00
46	13302708	RUBBER WASHER				2.00
47	TA0850604R0	RUBBER PLUG				1.00
48	13304308	LATCH SPRING				1.00
49	13302302	RUBBER BUMPER				2.00
50	SM8040412TP	SET SCREW M4 L=4				1.00

51	SM4040555SP	SCREW				2.00
52	SM4041055SP	SCREW				7.00
53	13302104	PIN				1.00
54	13304209	SUPPORT BRACKET				1.00
55	SM4041055SP	SCREW				1.00
56	SM4040655SP	SCREW M4 L=6				1.00
57	NM6040000SN	NUT M4				1.00
58	70001436	HOUSING				1.00
59	SM6051602TP	SCREW M5X0.8 L=16				4.00
60	70001976	SLIDE_COVER				1.00
61	WZ0641510KP	WAVED WASHER 6.4X11X0.3				1.00
62	SD0600266TP	SHOULDER SCREW D=6 H=2.6				1.00
63	70001831	DRIVING BELT COVER ASSY				1.00
64	70001830	DRIVING BELT COVER		*		1.00
65	CM300200001	FINGER INJURY CAUTION LABEL (16)		*		1.00
66	SM4051055SP	SCREW				3.00
67	TA2101002R0	RUBBER PLUG				1.00
68	TA2050416R0	RUBBER PLUG				2.00
69	WP0450000SD	WASHER 4.5X8X0.5				1.00
70	TA1050504R0	RUBBER PLUG				2.00
71	13304001	GASKET_F				1.00

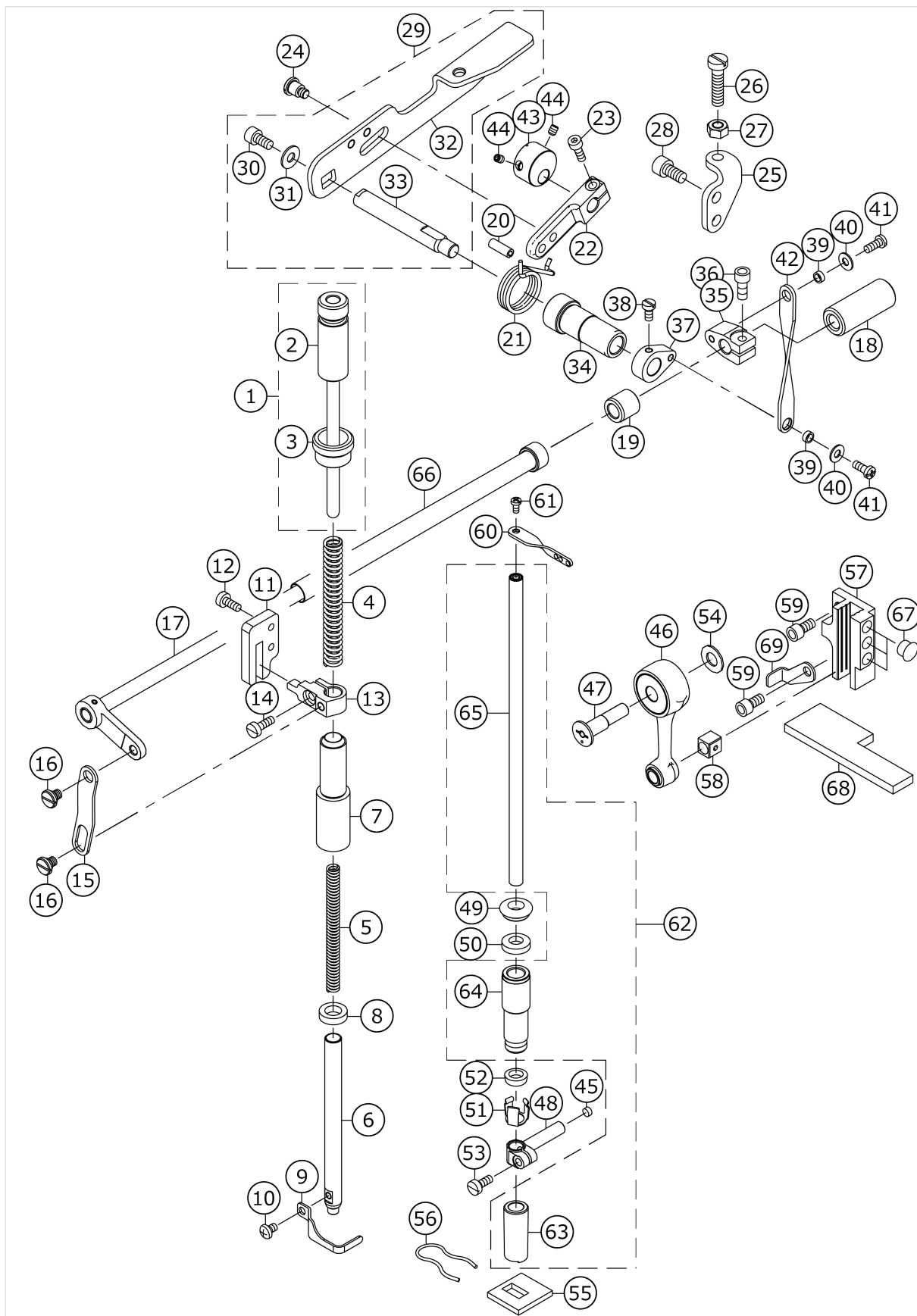
MAIN SHAFT COMPONENTS



No.	品番	品名	備考	子部品	消耗品	個数
1	13308804	TIMING_BELT				1.00
2	70001445	LOWER_MAINSHAFT_RIGHT				1.00
3	13406707	LOWER_PULLEY				1.00
4	SM8061212TP	SCREW M6X12				2.00
5	40017824	LOOPER LOD STOPPER				2.00
6	70004640	COUPLING_E_ASSY				1.00
7	SM8060612TP	SCREW M6 L=6				2.00
8	13308457	BEARING_ASSY_C				1.00
9	SB120001500	BEARING		*		1.00
10	40018922	COUPLING_C		*		1.00
11	SM8060612TP	SCREW M6 L=6		*		2.00
12	RO148240200	RUBBER RING				1.00
13	13307509	JOINT				1.00
14	SM8060612TP	SCREW M6 L=6				4.00
15	70004630	LMS_LEFT_ASSY				1.00
16	70004631	LOWER_MAINSHAFT_LEFT		*		1.00
17	70004633	LOOPER_DRIVE		*		1.00
18	70004632	LOOPER_ROD_DRIVE		*		1.00
19	SM6061402TP	SCREW M6 L=14		*		1.00
20	SM8040412TP	SET SCREW M4 L=4		*		1.00
21	13324108	SCREW		*		4.00
22	70003331	COUPLING_B	FOR UT35,UT37			1.00
23	70003316	FLY_WHEEL				1.00
24	SM8060612TP	SCREW M6 L=6				2.00
25	70001447	BUSHING_LMS_MIDDLE				1.00
26	70001448	BUSHING_LMS_LEFT				1.00
27	SB110002300	BEARING				1.00
28	13308705	GASKET FOR BUSHING LEFT				1.00
29	SM4041055SP	SCREW				3.00
30	70004489	LMS_WORM_ASSY				1.00
31	70004484	BEARING		*		1.00
32	13308507	COUPLING D		*		1.00
33	SM8060842TP	SCREW M6 L=8		*		1.00
34	SM8060552TP	SCREW M6 L=5		*		1.00
35	70001451	THRUST_PLATE				1.00
36	SM4040655SP	SCREW M4 L=6				3.00
37	SM8060812TP	SCREW M6 L=8				1.00
38	SM8060842TP	SCREW M6 L=8				1.00
39	70001453	BEARING HOLDER				1.00
40	SM8060612TP	SCREW M6 L=6				2.00
41	SB120001500	BEARING				1.00
42	RO148240200	RUBBER RING				1.00
43	70004184	LMS_SPROCKET				1.00
44	40035711	OIL WICK				2.00
45	70001437	UPPER_MAINSHAFT_RIGHT				1.00
46	70001439	UPPER_PULLEY				1.00
47	SM8061212TP	SCREW M6X12				2.00
48	13307251	BEARING ASSY A				1.00
49	SM8060842TP	SCREW M6 L=8		*		1.00
50	SM8060612TP	SCREW M6 L=6		*		1.00

51	70001443	COLLAR				1.00
52	SM8060612TP	SCREW M6 L=6				2.00
53	13307301	UMS_SPROCKET				1.00
54	SM8060812TP	SCREW M6 L=8				4.00
55	SB120002200	BEARING				1.00
56	70001440	COUPLING_B				1.00
57	70001638	BEARING_COVER_PLATE				1.00
58	SM8060612TP	SCREW M6 L=6				4.00
59	70001454	UPPER_MAINSHAFT_LEFT_DRY				1.00
60	70001442	TAKE_UP_ROD_ASSY				1.00
61	SM6061402TP	SCREW M6 L=14		*		1.00
62	70001535	CRANK		*		1.00
63	70001536	ROD		*		1.00
64	13324108	SCREW		*		2.00
65	70001444	TAKE_UP_ECCENTRIC		*		1.00
66	SM8060612TP	SCREW M6 L=6		*		2.00
67	40078278	HOUSING_A	SELECTIVE PARTS			1.00
68	40078279	HOUSING_B	SELECTIVE PARTS			1.00
69	40078280	HOUSING_C	SELECTIVE PARTS			1.00
70	SB120001900	BEARING				1.00
71	SM8060842TP	SCREW M6 L=8				1.00
72	SM8060612TP	SCREW M6 L=6				1.00
73	13309208	SCREW_FOR_COUNTERWEIGHT				1.00
74	SM8080812TP	SCREW M8X8				1.00
75	SM6061200SP	SCREW				1.00
76	70001432	COUNTER_WEIGHT_DRY				1.00
77	40078282	OIL SEAL				1.00
78	RO445300100	RUBBER RING				1.00
79	40081965	OIL_BLOCK_PLATE				1.00

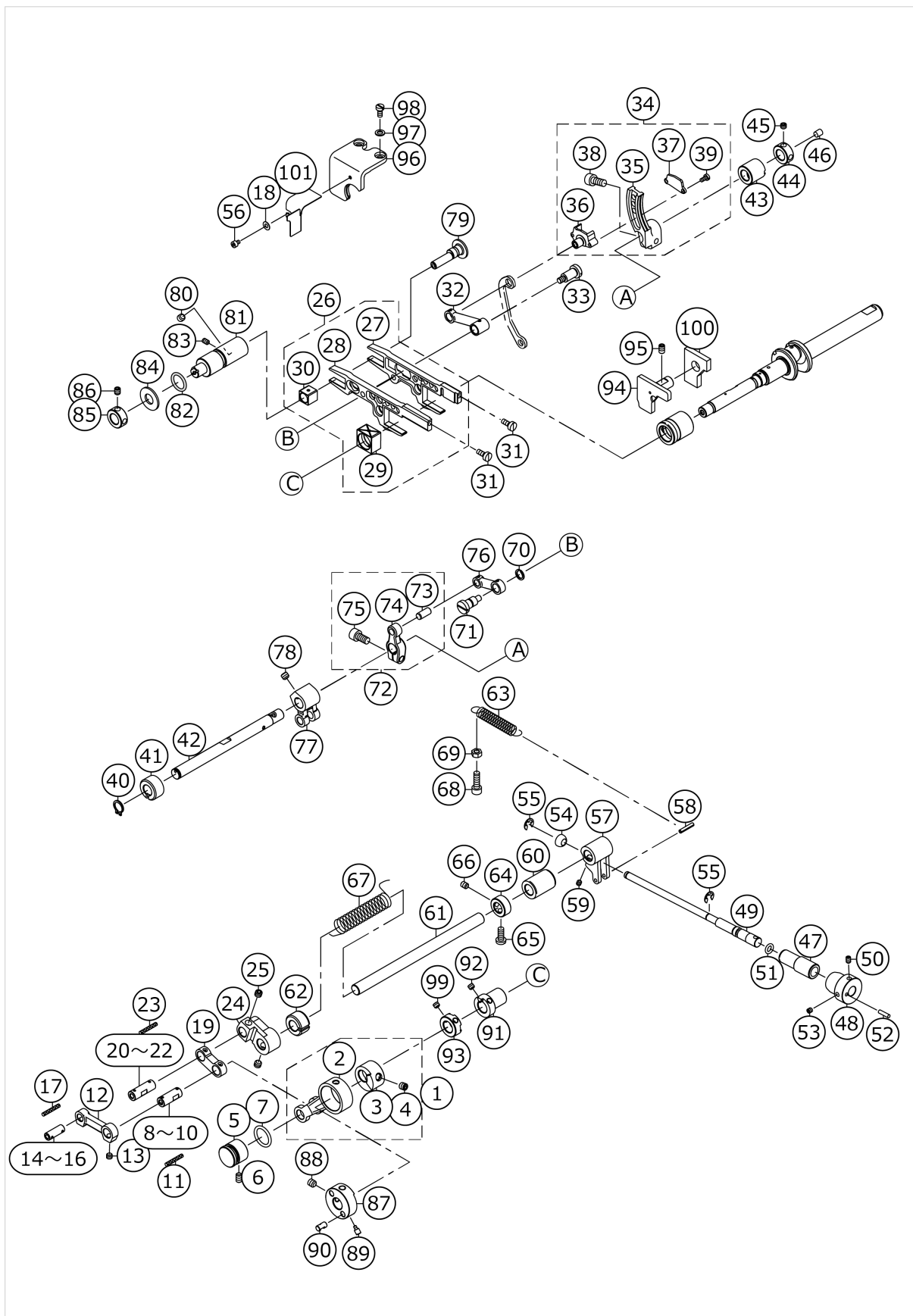
NEEDLE BAR & PRESSER COMPONENTS



No.	品番	品名	備考	子部品	消耗品	個数
1	40070574	ADJ_SCREW_P_B_NUT_ASSY				1.00
2	40070573	ADJ_SCREW_P_B_ASSY		*		1.00
3	13313101	LOCKING NUT		*		1.00
4	13313309	SPRING PRESSER BAR A				1.00
5	70001480	SPRING_PRESSER_BAR_B				1.00
6	70001481	PRESSER_BAR				1.00
7	70001499	BUSHING_PRESSER_BAR				1.00
8	13315908	OIL SEAL				1.00
9	70001483	FINGER_GUARD				1.00
10	SM4040655SP	SCREW M4 L=6				1.00
11	13313804	GUIDE PLATE				1.00
12	SM6041000SP	SCREW M4 L=10				2.00
13	70001485	PRESSER_BAR_BRACKET				1.00
14	SM6041200SP	SCREW M4 L=12				1.00
15	13314109	LINK				1.00
16	SD0700206TP	SHOULDER SCREW				2.00
17	40078307	ASSY_LIFTER_SHAFT_DRY				1.00
18	70001500	BUSHING_LIFTER_REAR				1.00
19	70001486	BUSHING_LIFTER_FRONT				1.00
20	PS0500142KP	SPRING PIN				1.00
21	70001498	SPRING_LIFTER_LEVER				1.00
22	70001494	TENSION_RELEASE_LEVER				1.00
23	SM6041202TP	SCREW M4X0.7 L=12				1.00
24	SD0700586TP	SHOULDER SCREW				1.00
25	70001495	LIFTER_LEVER_STOPPER				1.00
26	SM6062550TP	SCREW M6 L=25				1.00
27	NM6060001CP	NUT M6				1.00
28	SM6061202TP	SCREW M6 L=12				2.00
29	70001487	LIFTER_LEVER_ASSY				1.00
30	SM6051002TP	SCREW M5X0.8 L=10		*		1.00
31	WP0551016SH	WASHER 5.5X13X1		*		1.00
32	70001488	LIFTER_LEVER		*		1.00
33	70001489	LIFTER_LEVER_SHAFT		*		1.00
34	70001490	BUSHING_LIFTER_LEVER				1.00
35	70001478	LIFTER_SHAFT_LEVER				1.00
36	SM6051202TP	SCREW M5X0.8 L=12				1.00
37	70001477	LIFTER_LEVER_COLLAR				1.00
38	SM6040800SP	SCREW				1.00
39	70001491	SPACER				2.00
40	WP0450826SC	WASHER 4.5X10X0.8				2.00
41	SM4041055SP	SCREW				2.00
42	70001492	LIFTER_LEVER_LINK				1.00
43	70001493	MINUTES_LIFTING_COLLAR				1.00
44	SM8040512TP	SCREW				2.00
45	40078293	PLUG				1.00
46	70001465	ASSY_NEEDLE_CRANK_ROD				1.00
47	70001462	ECCENTRIC_PIN_DRY				1.00
48	40078292	NEEEDLE_BAR_CLAMP				1.00
49	40078305	BUSHING_NB_U_PRESSER_A				1.00
50	40078302	BUSHING_NB_U_FELT_A				1.00

51	40078306	BUSHING_NB_U_PRESSER_B				1.00
52	40078303	BUSHING_NB_U_FELT_B				1.00
53	SM6041000SP	SCREW M4 L=10				1.00
54	40078291	WASHER				1.00
55	40078301	BUSHING_NB_L_FELT				1.00
56	40078304	BUSHING_NB_L_PRESSER				1.00
57	70001463	NEEDLE_BAR_GUIDE				1.00
58	40078295	SLIDE_BLOCK				1.00
59	SM6051202TP	SCREW M5X0.8 L=12				3.00
60	13326806	NEEDLE BAR EYELET				1.00
61	SM4030855SN	SCREW M3 L=8.0				1.00
62	40078317	ASSY_BUSHING_NB_DRY				1.00
63	40078299	BUSHING_NB_LOWER		*		1.00
64	40078300	BUSHING_NB_UPPER		*		1.00
65	40078296	NEEDLE BAR ASSY		*		1.00
66	40078320	PIPE_ASSY				1.00
67	TA0850604R0	RUBBER PLUG				4.00
68	40087083	FELT				1.00
69	40087101	FELT PRESSER				1.00

FEED DRIVE COMPONENTS (1)

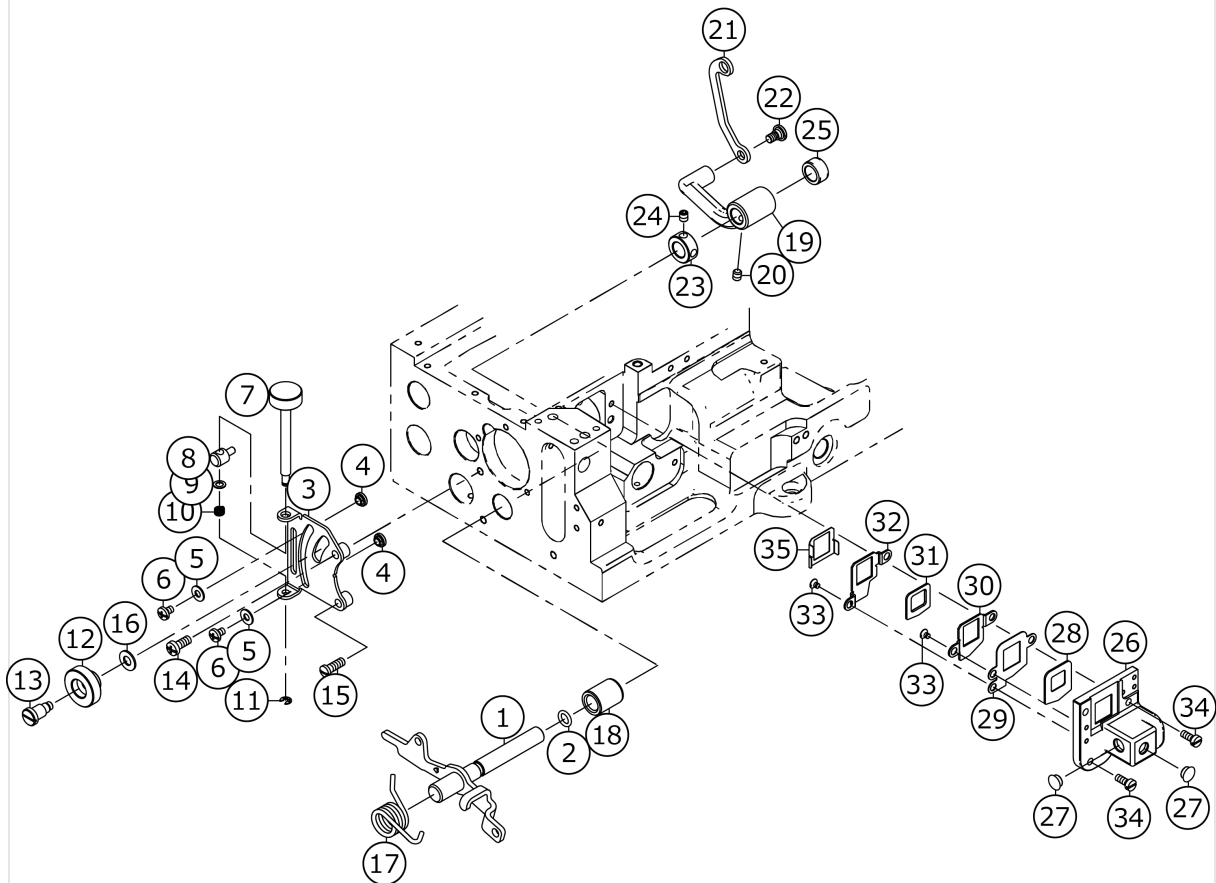


No.	品番	品名	備考	子部品	消耗品	個数
1	70001521	FEED ECCENTRIC HORIZON ASSY				1.00
2	70001505	CRNAK ROD		*		1.00
3	70001522	FEED ECCENTRIC HORIZON		*		1.00
4	SM8060612TP	SCREW M6 L=6		*		2.00
5	13323803	CRANK ROD GUIDE				1.00
6	SM8050812TP	SCREW M5X8				1.00
7	RO158240100	O-RING				1.00
8	13323308	FEED ADJ LINK PIN A	SELECTIVE PARTS			1.00
9	13323407	FEED ADJ LINK PIN B	SELECTIVE PARTS			1.00
10	13323506	FEED ADJ LINK PIN C	SELECTIVE PARTS			1.00
11	CQ303000000	COTTON OIL WICK D=3				0.07
12	13317201	MAIN FEED DRIVE LINK				1.00
13	SM8050612TP	SCREW M5X6				2.00
14	13318704	MAIN FEED CRANK PIN A	SELECTIVE PARTS			1.00
15	13318803	MAIN FEED CRANK PIN B	SELECTIVE PARTS			1.00
16	13318902	MAIN FEED CRANK PIN C	SELECTIVE PARTS			1.00
17	CQ303000000	COTTON OIL WICK D=3				0.04
18	WP0370316SD	WASHER 3.7X8X0.3				1.00
19	13317300	ADJUST LINK				1.00
20	13317409	FEED ADJ LINK PIN A	SELECTIVE PARTS			1.00
21	13317508	FEED ADJ LINK PIN B	SELECTIVE PARTS			1.00
22	13317607	FEED ADJ LINK PIN C	SELECTIVE PARTS			1.00
23	CQ303000000	COTTON OIL WICK D=3				0.08
24	13317706	MAIN FEED ADJ LEVER				1.00
25	SM8060552TP	SCREW M6 L=5				2.00
26	70001528	FEED BAR ASSY				1.00
27	70001959	MAIN FEED BAR		*		1.00
28	13321708	DIFF FEED BAR		*		1.00
29	70001509	SLIDE BLOCK		*		1.00
30	13322409	SLIDE BLOCK		*		1.00
31	SM6041000SP	SCREW M4 L=10				2.00
32	13319702	DIFF FEED LINK				1.00
33	SD0801326TH	SHOULDER SCREW D=8 H=13.2				1.00
34	13319959	DIFF DRIVE ARM ASSY				1.00
35	13319900	DIFF DRIVE ARM		*		1.00
36	13320007	DIFF FEED PIN		*		1.00
37	13320106	DIFF FEED PIN PLATE		*		1.00
38	SM6061402TP	SCREW M6 L=14		*		1.00
39	SM6030600SP	SCREW M3X0.5 L=6		*		2.00
40	RC0100001KP	C-RING 10 (9.3)				1.00
41	70001510	BUSHING FEED FRONT				1.00

42	13319009	ROCKER SHAFT				1.00
43	70001511	BUSHING FEED REAR				1.00
44	CS1000881TP	THRUST COLLAR D=10 W=8				1.00
45	SM8050612TP	SCREW M5X6				2.00
46	TA0500601M0	PLUG D=5X5.4 L=6				1.00
47	13318209	BUSHING FEED ADJUST				1.00
48	13318001	KNOB FEED ADJUST				1.00
49	13318100	SHAFT FEED ADJUST				1.00
50	SM8040602TP	SCREW M4X0.7 L=6				1.00
51	RO055200100	O-RING				1.00
52	B3215470000	PIN				1.00
53	SM8040412TP	SCREW M4X4				1.00
54	13318308	STOPPER FEED ADJUST				1.00
55	RE0500000K0	E-RING				2.00
56	SM6030402TP	SCREW M3X0.5 L=4				1.00
57	13317904	FEED ADJUST LEVER				1.00
58	PS0300162KH	SPRING PIN 3X16				1.00
59	SM8050612TP	SCREW M5X6				1.00
60	70001512	BUSHING FEED ADJUST				1.00
61	13317805	FEED ADJUST SHAFT				1.00
62	70001510	BUSHING FEED FRONT				1.00
63	13318506	TORSIN SPRING				1.00
64	CS1000881TP	THRUST COLLAR D=10 W=8				1.00
65	SM4051255SP	SCREW				1.00
66	SM8050612TP	SCREW M5X6				1.00
67	B2556280000	SPRING				1.00
68	SM6051602TP	SCREW M5X0.8 L=16				1.00
69	NM6050001SC	NUT M5X0.8 TYPE1				1.00
70	RC0741013KP	C-RING 8 (7.4)				1.00
71	13398409	SHOULDER SCREW				1.00
72	70001513	MAIN FEED ROCKER ASSY				1.00
73	13319405	MAIN FEED ROCKER PIN		*		1.00
74	70001506	MAIN FEED ROCKER		*		1.00
75	SM6061202TP	SCREW M6 L=12		*		1.00
76	13319504	MAIN FEED LINK				1.00
77	13318605	MAIN FEED CRANK				1.00
78	SM80606A2TP	SCREW M6 L=6				2.00
79	13322201	ECCENTRIC PIN				1.00
80	SM8060552TP	SCREW M6 L=5				1.00
81	13322003	FEED BAR SHAFT				1.00
82	RO137230100	O-RING				1.00
83	SM8040612TP	SCREW M4 L=6				1.00
84	13322102	WASHER FEED BAR SHAFT				1.00
85	CS1000881TP	THRUST COLLAR D=10 W=8				1.00
86	SM8050612TP	SCREW M5X6				2.00
87	70001523	POSITIONING CAM HORIZON				1.00
88	SM8060612TP	SCREW M6 L=6				2.00
89	70001524	FEED ECCENTRIC SCREW				1.00
90	70001525	FEED ECCENTRIC PIN				1.00
91	70001526	FEED ECCENTRIC				1.00
92	SM8050412TP	SCREW M5 L=4				2.00

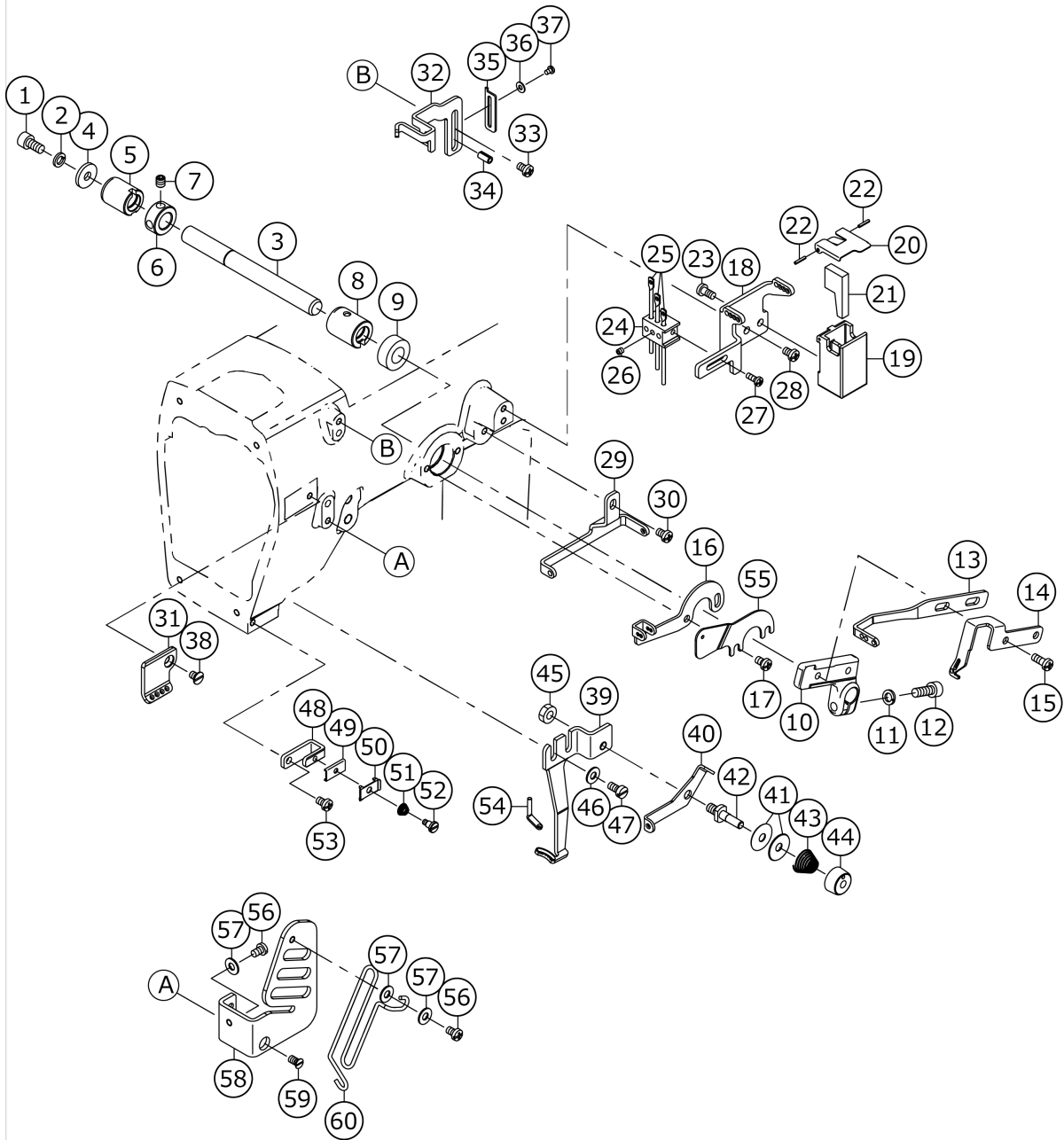
93	70001527	POSITIONING CAM VERTICAL				1.00
94	70001507	FEED BAR GUIDE 1				1.00
95	SM8050812TP	SCREW M5X8				1.00
96	70001508	FEED BAR GUIDE 2				1.00
97	WP0480856SP	WASHER 4.8X8.4X0.8				2.00
98	SM6040800SP	SCREW				2.00
99	SM8050412TP	SCREW M5 L=4				2.00
100	70001532	FELT FOR FEED BAR GUIDE				1.00
101	70001533	OIL PROTECTION SHEILD				1.00

FEED DRIVE COMPONENTS (2)



No.	品番	品名	備考	子部品	消耗品	個数
1	40040206	DIFF FEED LEVER ASSY				1.00
2	RO068190100	O-RING				1.00
3	40039630	PLATE DIFF FEED LEVER				1.00
4	13321203	STOPPER DIFF ADJ				2.00
5	WP0450826SC	WASHER 4.5X10X0.8				2.00
6	SM5040655SN	SCREW				2.00
7	70001530	SCREW				1.00
8	13217708	DIFFERENTIAL FEED BLOCK				1.00
9	WP0460556SD	WASHER 4.6X7.5X0.5				1.00
10	13123302	ADJUSTING SPRING				1.00
11	RE0300000K0	E-RING 3				1.00
12	13217500	DIFFERENTIAL FEED LOCK NUT				1.00
13	13217401	DIFFERENTIAL FEED HINGE SCREW				1.00
14	SM4051255SP	SCREW				1.00
15	SM7051460TP	SCREW M5 L=14				1.00
16	WP0621016SD	WASHER 6.2X13X1				1.00
17	70001531	ADJUSTING LEVER SPRING				1.00
18	13320304	BUSHING DIFF ADJ LEVER				1.00
19	13320403	DIFF ADJ LEVER				1.00
20	SM8050612TP	SCREW M5X6				1.00
21	40018443	DIFF ADJ LINK				1.00
22	31013808	HINGE SCREW				1.00
23	CS1000881TP	THRUST COLLAR D=10 W=8				1.00
24	SM8050612TP	SCREW M5X6				2.00
25	13323209	BUSHING DIFF ADJ LEVER				1.00
26	70001589	NEEDLE GUARD BASE				1.00
27	TA0750404R0	PLUG D=7.5 L=3.5				2.00
28	70001514	FEED BAR SEAL 1				1.00
29	70001515	FEED BAR SEAL PLATE 1				1.00
30	70001516	FEED BAR SEAL PLATE 2				1.00
31	70001517	FEED BAR SEAL 2				1.00
32	70001518	FEED BAR SEAL PLATE 3				1.00
33	SM1030400SP	SCREW M3 L=4				3.00
34	SM6041000SP	SCREW M4 L=10				3.00
35	70003995	FEED_BAR_SEAL_PLATE_4				1.00

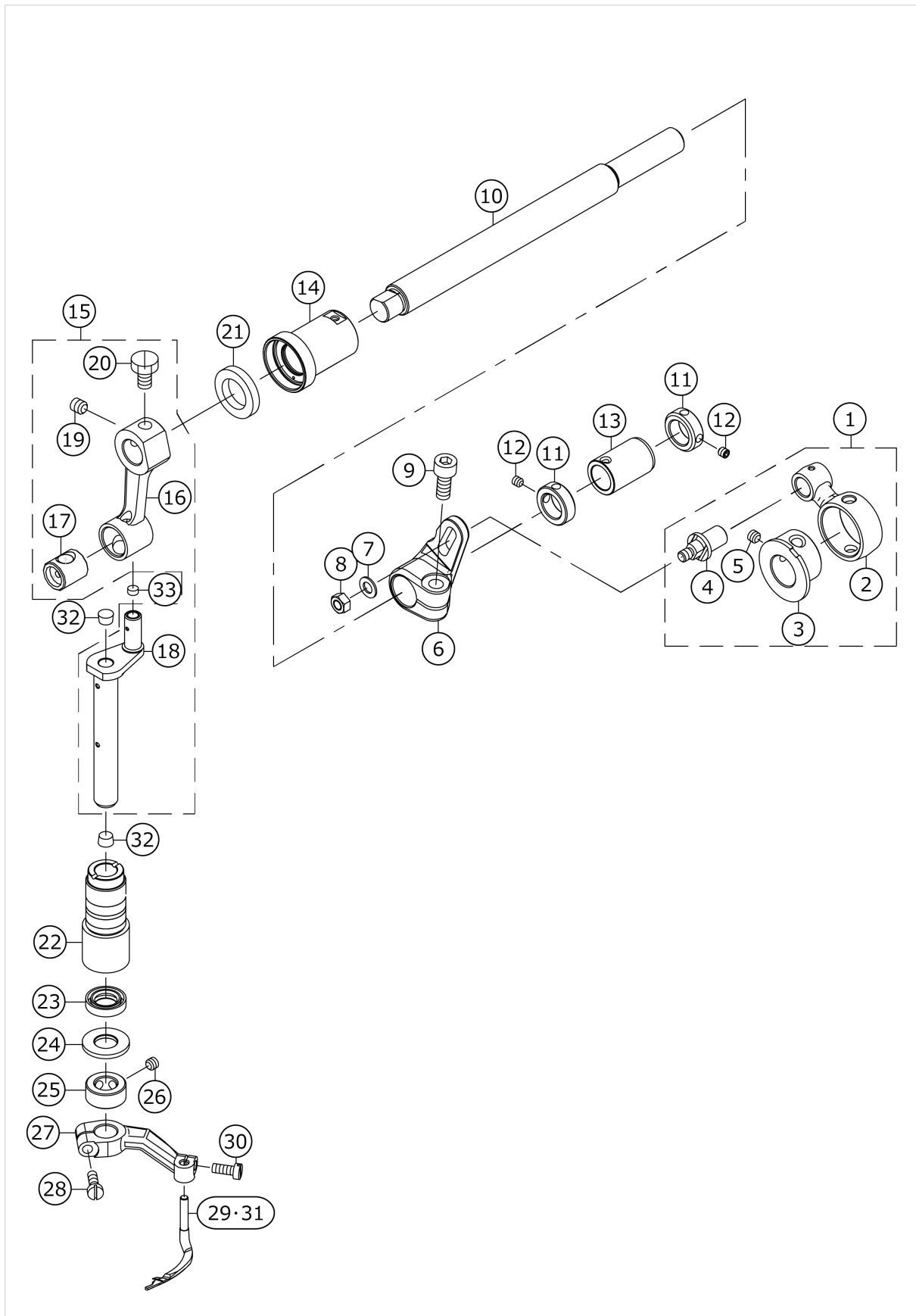
THREAD TAKE-UP LEVER COMPONENTS



No.	品番	品名	備考	子部品	消耗品	個数
1	SM6051002TP	SCREW M5X0.8 L=10				1.00
2	WS0510002KP	SPRING WASHER 5.1X9.2X1.3				1.00
3	70001537	SHAFT				1.00
4	WP0522016SH	WASHER				1.00
5	13324504	BUSHING REAR				1.00
6	CS1000881TP	THRUST COLLAR D=10 W=8				1.00
7	SM8050612TP	SCREW M5X6				2.00
8	13324603	BUSHING FRONT				1.00
9	23612609	FEED CHANGING SHAFT OIL SEAL				1.00
10	13324702	HOLDER TAKE UP EYELET				1.00
11	WS0510002KN	SPRING WASHER M5				1.00
12	SM6051402TP	SCREW M5X0.8 L=14				1.00
13	70001548	NDL THD TAKE UP				1.00
14	13324900	UP LPR THREAD TAKE UP				1.00
15	SM4041055SP	SCREW				2.00
16	13325006	THREAD GUIDE				1.00
17	SM4040655SP	SCREW M4 L=6				2.00
18	70001540	THREAD TENSION GUIDE				1.00
19	13348008	TANK				1.00
20	70001546	SILICONE OIL TANK COVER				1.00
21	B9214850000	HEAT REMOVING FELT				1.00
22	PS0150082KH	SPRING PIN 1.5X8				2.00
23	ST4040851SN	TAPPING SCREW M4X8				2.00
24	13325204	HOLDER				1.00
25	30391601	NEEDLE THREAD EYELET				3.00
26	SM8030312TP	SCREW M3 L=3				3.00
27	SM4030855SN	SCREW M3 L=8.0				1.00
28	SM4040655SP	SCREW M4 L=6				2.00
29	70001541	THREAD GUIDE				1.00
30	SM4040655SP	SCREW M4 L=6				1.00
31	70001542	THREAD GUIDE				1.00
32	70001543	NDL THD STRIKE OFF				1.00
33	SM4040655SP	SCREW M4 L=6				1.00
34	PS0400082KP	SPRING PIN TYPE W 4X8				1.00
35	13326905	NDL THD STRIKE OFF R				1.00
36	WP0280501SC	WASHER M2.6				1.00
37	SM4850455SP	SCREW				1.00
38	SM1040650TP	SCREW				1.00
39	13326301	THREAD GUIDE UPPER LPR				1.00
40	13326400	THREAD GUIDE				1.00
41	22945802	THREAD TENSION DISK				2.00
42	13326509	TENSION POST				1.00
43	22945505	THREAD TENSION SPRING				1.00
44	13326608	TENSION NUT				1.00
45	NM6050001SC	NUT M5X0.8 TYPE1				1.00
46	WP0450826SC	WASHER 4.5X10X0.8				2.00
47	SM6040800SP	SCREW				2.00
48	13325808	NIPPER PLATE SUPPORT				1.00
49	13325907	NIPPER PLATE				1.00
50	13326004	NIPPER GUIDE PLATE				1.00

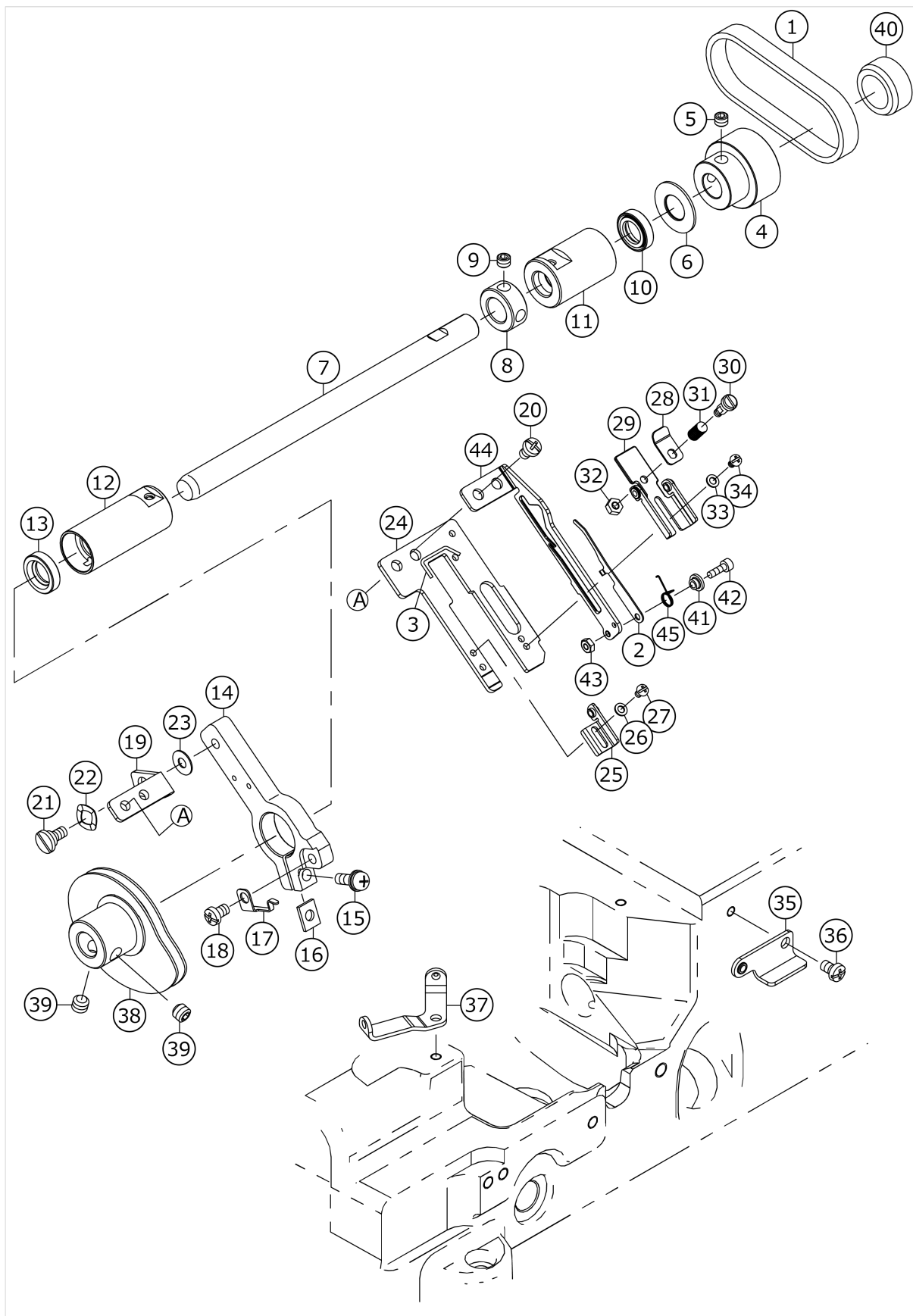
51	13326103	SPRING				1.00
52	13326202	SHOULDER SCREW				1.00
53	SM4040655SP	SCREW M4 L=6				1.00
54	13326707	THREAD GUIDE				1.00
55	40085995	FINGER GUARD				1.00
56	SM4040655SP	SCREW M4 L=6				2.00
57	WP0450801SC	WASHER 4.5X10X0.8				3.00
58	70001544	TAKE UP COVER				1.00
59	SM1040750TP	SCREW M4 L=7				1.00
60	70001545	FINGER GUARD				1.00

SPREADER COMPONENTS



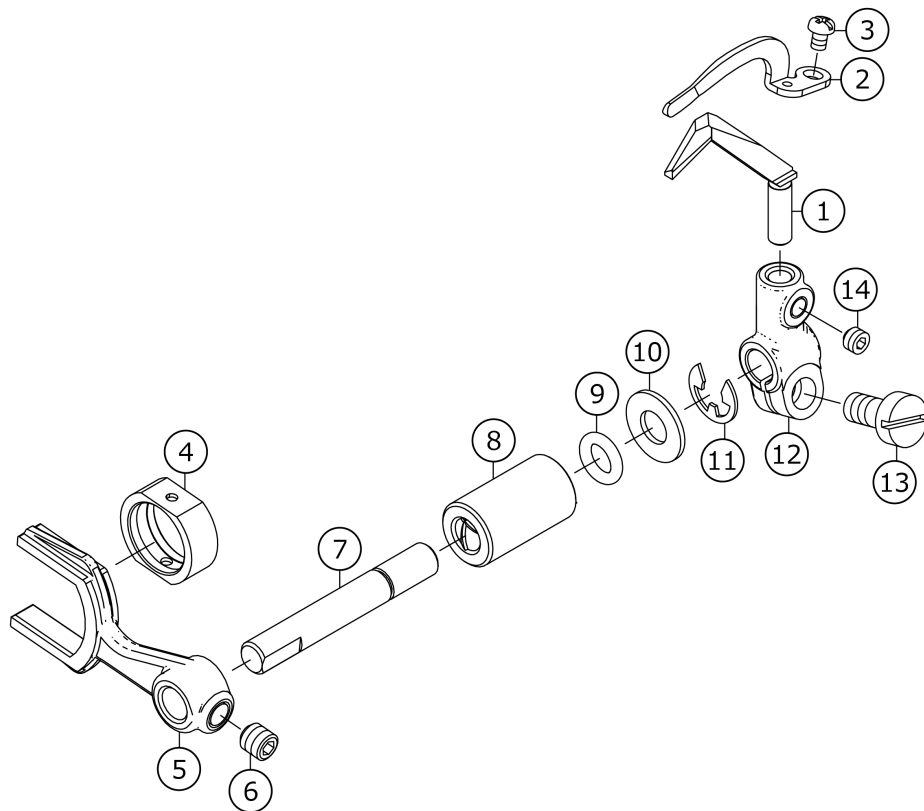
No.	品番	品名	備考	子部品	消耗品	個数
1	40078318	ASSY_UPPPER_LPR_MECH				1.00
2	40078319	CONNROD_FOR_UPPER_LPR		*		1.00
3	13328000	UPPER LOOPER ECCENTRIC		*		1.00
4	13328208	STUD		*		1.00
5	SM8050412TP	SCREW M5 L=4		*		2.00
6	70001555	DRIVING_ARM				1.00
7	WP0550800SP	WASHER 5.5X10X0.8				1.00
8	NM6050001SC	NUT M5X0.8 TYPE1				1.00
9	SM6061402TP	SCREW M6 L=14				1.00
10	70001561	UPPER_LOOPER_SHAFT_DRY				1.00
11	13399209	COLLAR				2.00
12	SM8040412TP	SET SCREW M4 L=4				4.00
13	13329008	BUSHING REAR				1.00
14	70001562	BUSHING_FRONT_DRY				1.00
15	40078311	ASSY_UPPER_LPR_MECH_2				1.00
16	40078312	CRANK_ROD		*		1.00
17	40078313	UPPER_LOOPER_ROCKER		*		1.00
18	40078314	U.L_SHAFT_VERTICAL		*		1.00
19	SM8060612TP	SCREW M6 L=6		*		1.00
20	SM9061050TP	SCREW M6 L=10		*		1.00
21	40172767	OIL_SEAL				1.00
22	13329206	BUSHING_VERTICAL				1.00
23	13338900	OIL SEAL				1.00
24	WP1022016SH	WASHER				1.00
25	CS1000881TP	THRUST COLLAR				1.00
26	SM8050412TP	SCREW M5 L=4				2.00
27	13328802	UPPER LOOPER HOLDER				1.00
28	SM6041200SP	SCREW M4 L=12				1.00
29	70004223	UPPER_LOOPER	EXCEPT TYPE TURKEY			1.00
30	SM6041000SP	SCREW M4 L=10				1.00
31	70004224	UPPER_LOOPER	TYPE TURKEY			1.00
32	TA0600401R0	PLUG				2.00
33	40078293	PLUG				1.00

LOWER THREAD CAM COMPONENTS



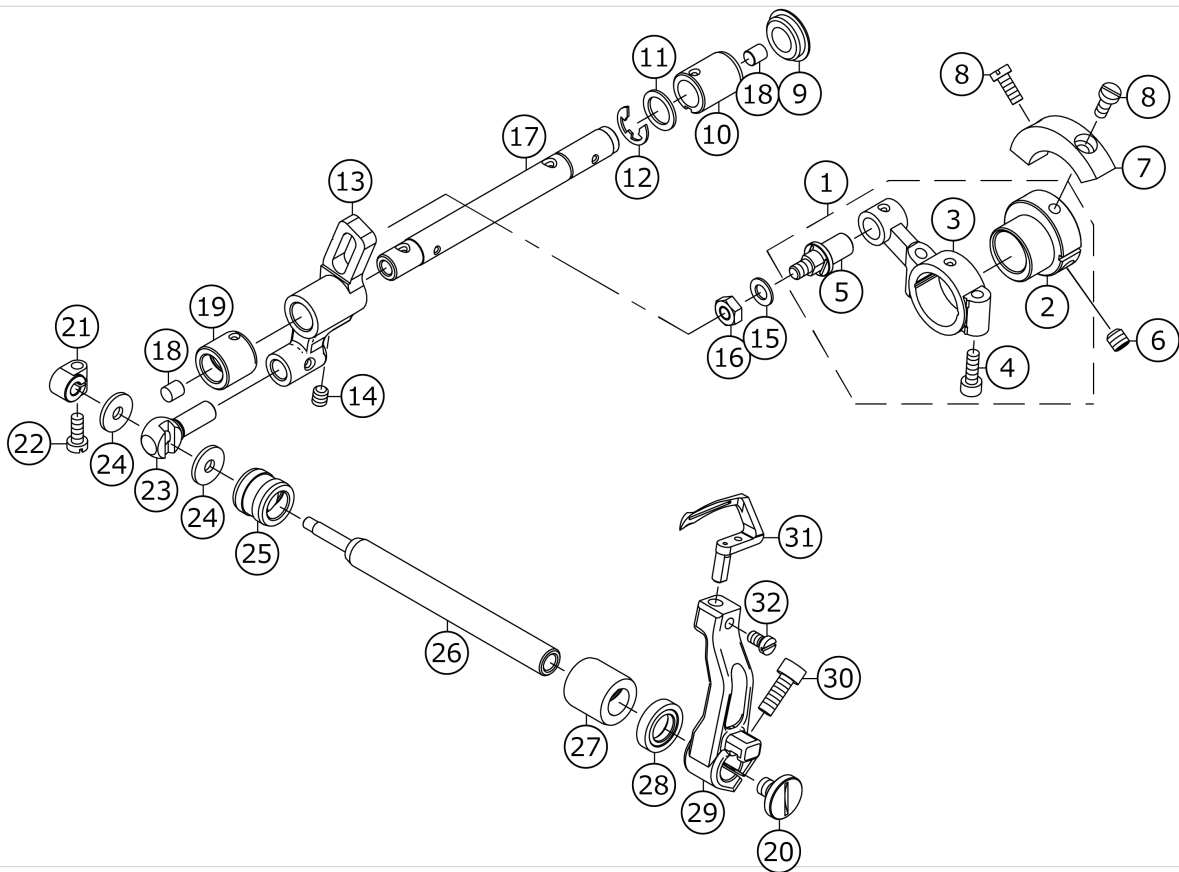
No.	品番	品名	備考	子部品	消耗品	個数
1	70001987	BELT_TAKE_UP				1.00
2	70001582	THREAD GUIDE PLATE				1.00
3	40087068	CAM THREAD CATCH				1.00
4	70001580	SPROCKET TAKE UP				1.00
5	SM8050612TP	SCREW M5X6				2.00
6	70001581	WASHER				1.00
7	70001572	SHAFT TAKE UP				1.00
8	CS1000881TP	THRUST COLLAR D=10 W=8				1.00
9	SM8050612TP	SCREW M5X6				2.00
10	40023441	OIL SEAL				1.00
11	70001573	BUSHING A TAKE UP				1.00
12	40023481	BUSHING B TAKE UP				1.00
13	40023441	OIL SEAL				1.00
14	13332309	BASE TAKE UP PLATE				1.00
15	SL4041281SC	SCREW M4 L=12				1.00
16	13333208	WASHER				1.00
17	13332903	SPRING				1.00
18	SM4040655SP	SCREW M4 L=6				1.00
19	13332804	BRACKET				1.00
20	SM4040655SP	SCREW M4 L=6				2.00
21	SD0640246SP	SHOULDER SCREW D=6.35 H=2.4				1.00
22	WZ0641510KP	WAVED WASHER 6.4X11X0.3				1.00
23	WP0410516SD	PLAIN WASHER				1.00
24	70001579	TAKE UP PLATE				1.00
25	40100791	EYELET A ASSY				1.00
26	WP0280500SC	WASHER				1.00
27	SM4850455SP	SCREW				1.00
28	13333307	LPR THD DISC UPPER				1.00
29	40100793	LPR THD GUIDE BASE ASSY				1.00
30	13333505	TENSION POST				1.00
31	13333604	LOOPER CAM SPRING				1.00
32	NM6030001SC	NUT M3X0.5 TYPE1				1.00
33	WP0280500SC	WASHER				1.00
34	SM4850455SP	SCREW				1.00
35	70001575	EYELET C ASSY				1.00
36	SM4040655SP	SCREW M4 L=6				1.00
37	13333703	EYELET D				1.00
38	40019335	ASSY TAKE UP				1.00
39	SM8060552TP	SCREW M6 L=5				2.00
40	TA2101002R0	RUBBER PLUG				1.00
41	70001584	SPRING COLLAR				1.00
42	SM6850802TN	SCREW M2.5 L=8				1.00
43	NM6850001SC	NUT M2.5X0.45 TYPE1				1.00
44	70001585	THREAD GUIDE				1.00
45	70001583	THREAD GUIDE PLATE SPRING				1.00

NEEDLE GUARD COMPONENTS



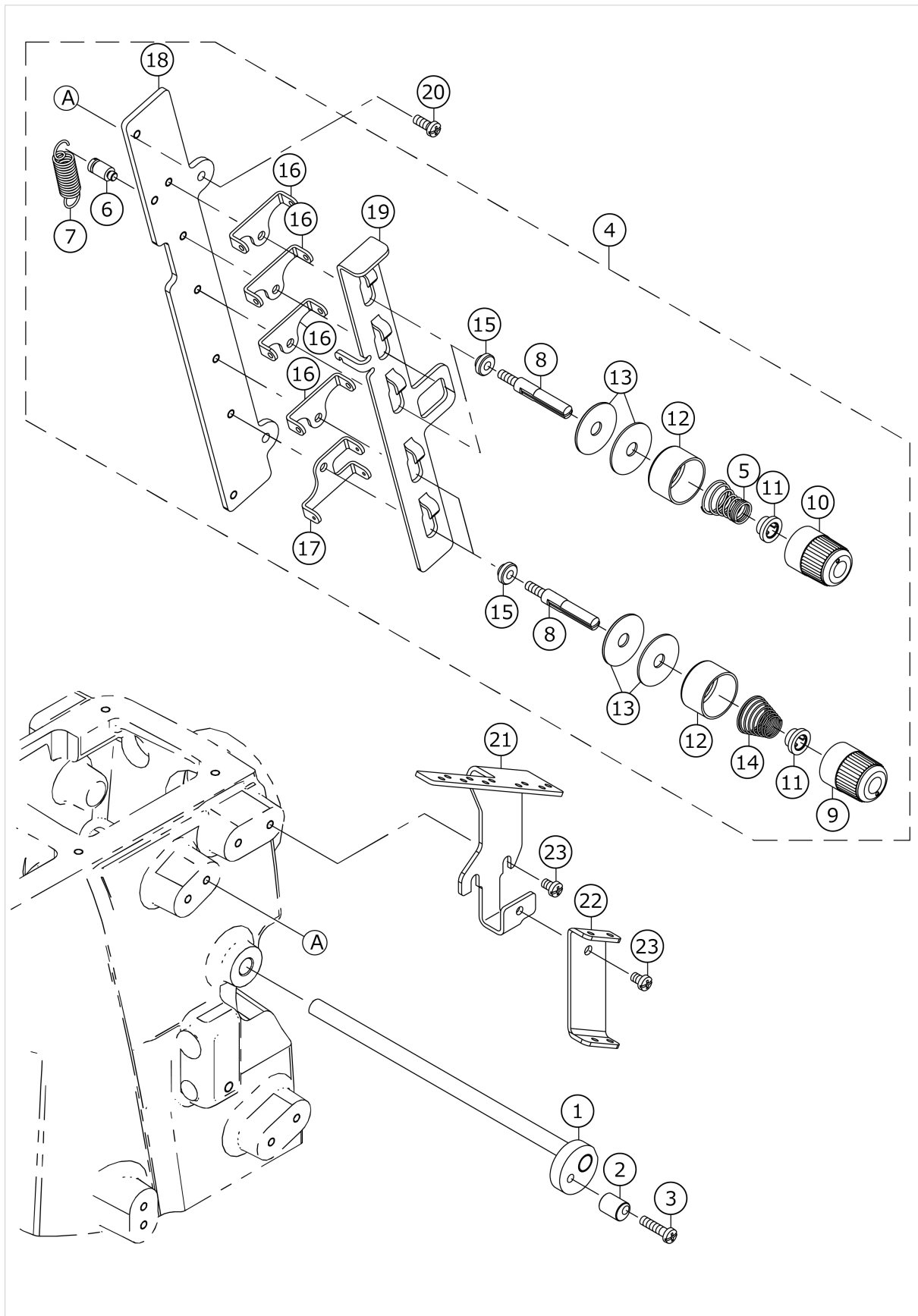
No.	品番	品名	備考	子部品	消耗品	個数
1	40052924	REAR NEEDLE GUARD				1.00
2	13334701	FRONT NDL GUARD				1.00
3	SM4850455SP	SCREW				1.00
4	70001592	NEEDLE GUARD BLOCK				1.00
5	70001587	FORK NEEDLE GUARD				1.00
6	SM8050612TP	SCREW M5X6				1.00
7	70001590	NEEDLE GUARD SHAFT				1.00
8	70001591	BUSHING NEEDLE GUARD				1.00
9	RO055200100	O-RING				1.00
10	WP0621016SD	WASHER 6.2X13X1				1.00
11	RE0500000K0	E-RING				1.00
12	70001588	REAR NEEDLE GUARD HOLDER				1.00
13	SM6051000SP	SCREW				1.00
14	SM8040312TP	SCREW M4 L=3				1.00

LOOPER COMPONENTS



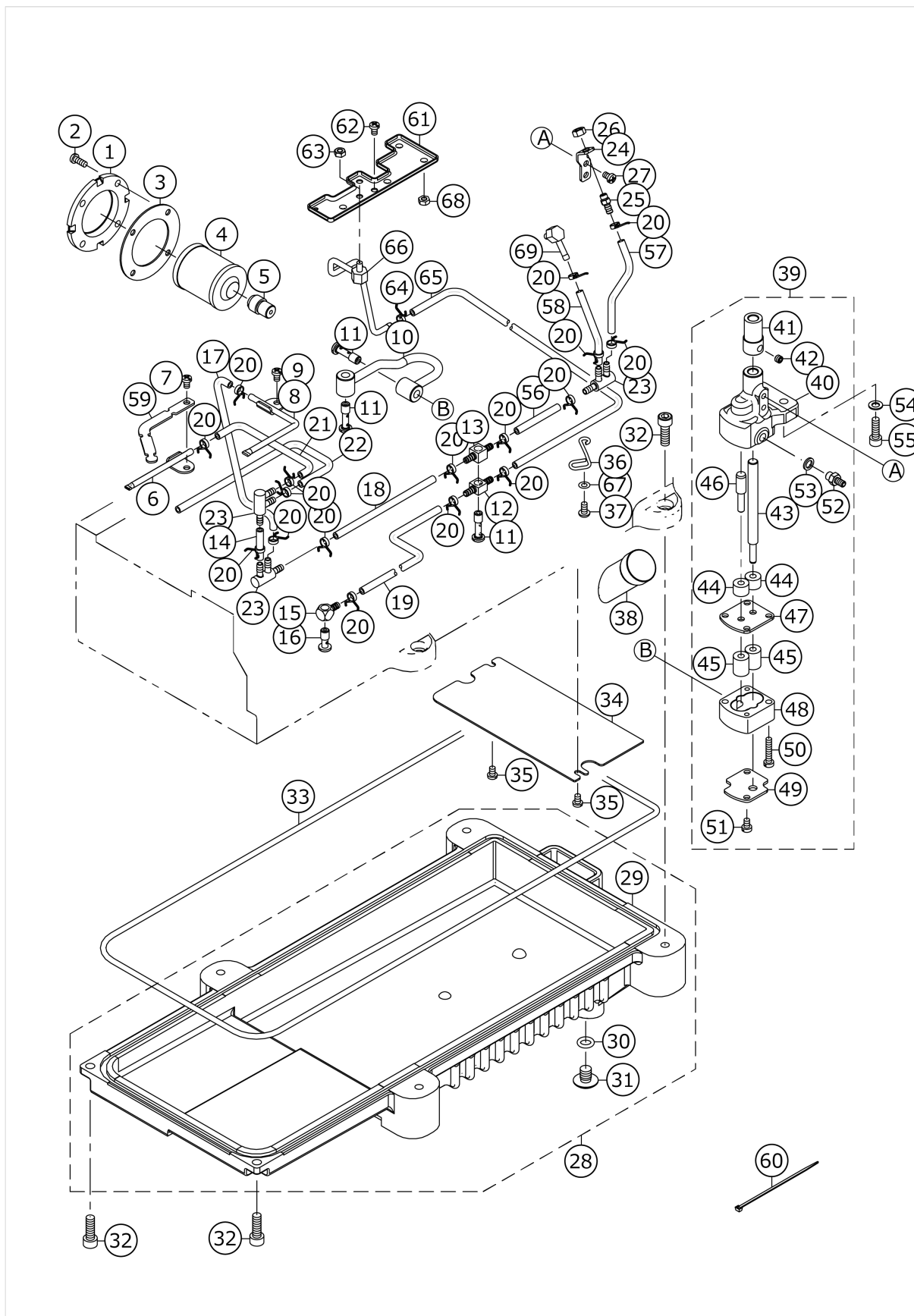
No.	品番	品名	備考	子部品	消耗品	個数
1	13337357	ECC LOOPER AVOID ASSY				1.00
2	13337308	ECC LOOPER AVOID		*		1.00
3	13337407	LOOPER ROD AVOID		*		1.00
4	SM6041202TP	SCREW M4X0.7 L=12		*		2.00
5	13337506	PIN LOOPER AVOID		*		1.00
6	SM8060612TP	SCREW M6 L=6				2.00
7	13338801	BALANCE WEIGHT LP				1.00
8	SM6041000SP	SCREW M4 L=10				2.00
9	TA1600406R0	PLUG				1.00
10	70001601	BUSHING LPR RIGHT				1.00
11	WP1021026SH	WASHER				1.00
12	RE0700000K0	E-RING 7				1.00
13	13337605	CRANK LOOPER AVOID				1.00
14	SM8050612TP	SCREW M5X6				1.00
15	WP0550800SP	WASHER 5.5X10X0.8				1.00
16	NM6050001SC	NUT M5X0.8 TYPE1				1.00
17	13338504	LOOPER SHAFT AVOID				1.00
18	TA0500601M0	PLUG D=5X5.4 L=6				2.00
19	70001602	BUSHING LPR LEFT				1.00
20	40052522	SCREW				1.00
21	13337704	COLLAR LOOPER AVOID				1.00
22	SM6041000SP	SCREW M4 L=10				1.00
23	13337803	LOOPER AVOID PIN				1.00
24	WP0461516SH	WASHER				2.00
25	70001603	BUSHING LPR SHAFT REAR				1.00
26	40050448	LOOPER SHAFT				1.00
27	70001604	BUSHING LPR SHAFT FRONT				1.00
28	13338900	OIL SEAL				1.00
29	40050449	LOOPER HOLDER				1.00
30	SM6051402TP	SCREW M5X0.8 L=14				1.00
31	13337902	LOOPER				1.00
32	SM6040750TP	SCREW M4 L=7				1.00

THREAD TENSION COMPONENTS



No.	品番	品名	備考	子部品	消耗品	個数
1	70001610	ASSY PULL OFF LEVER				1.00
2	40065785	TENS RELEASE ADJ ECC				1.00
3	SM4041655SP	SCREW M4 L=16				1.00
4	70001612	THREAD TENSION ASSY				1.00
5	13140504	TENSION SPRING		*		3.00
6	13340302	SHOULDER SCREW		*		1.00
7	26019000	THREAD TENSION SPRING		*		1.00
8	70001620	TENSION POST		*		5.00
9	40042363	KNOB		*		2.00
10	40042364	KNOB GREEN		*		3.00
11	40042365	SPRING BUSHING		*		5.00
12	40042366	THREAD TENSION DISK PRESSER		*		5.00
13	40101602	THREAD TENSION DISC		*		10.00
14	40102003	SPRING		*		2.00
15	70001617	SPACER		*		5.00
16	70001615	TENSION DISC EYELET A		*		4.00
17	70001616	TENSION DISC EYELET B		*		1.00
18	70001613	TENSION POST SUPPORT		*		1.00
19	70001614	TENSION DISC SEPARATOR		*		1.00
20	SM4041055SP	SCREW				2.00
21	13340005	THREAD GUIDE PLATE				1.00
22	13340104	THREAD GUIDE				1.00
23	SM4040655SP	SCREW M4 L=6				3.00

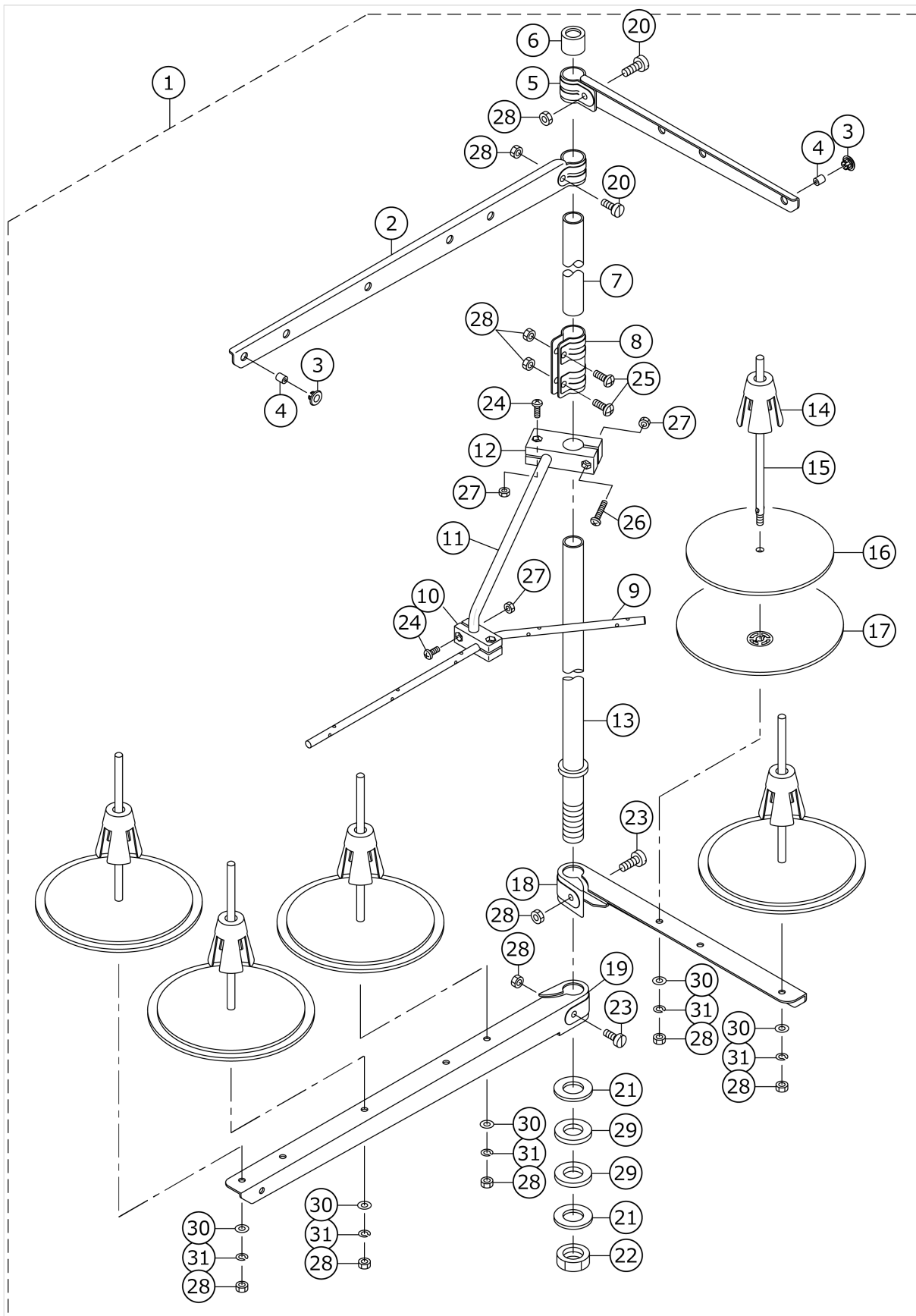
LUBRICATION COMPONENTS



No.	品番	品名	備考	子部品	消耗品	個数
1	13345202	FILTER_COVER				1.00
2	SM4041055SP	SCREW				4.00
3	13344809	GASKET O				1.00
4	13142500	CARTRIDGE FILTER				1.00
5	13343801	FITTING FILTER				1.00
6	13346556	ASSY_OIL_SUPPLY				1.00
7	SM4040655SP	SCREW M4 L=6				1.00
8	13345855	OIL SUPPLY ASSY				1.00
9	SM4040655SP	SCREW M4 L=6				1.00
10	70001634	ASSY_OIL_PIPE				1.00
11	SQ2060442SD	CONNECTING SCREW				3.00
12	SQ0000454MZ	CONNECTING SCREW				1.00
13	SQ0000453MZ	CONNECTING SCREW				1.00
14	BP30000010R	VINYL PIPE				0.04
15	SQ0000452MZ	CONNECTING SCREW				1.00
16	SQ2060441SD	CONNECTING SCREW				1.00
17	BP30000010R	VINYL PIPE				0.12
18	BP30000010R	VINYL PIPE				0.12
19	BP30000010R	VINYL PIPE				0.19
20	23629306	PIPE STOPPER A				17.00
21	BP30000010R	VINYL PIPE				0.10
22	BP30000010R	VINYL PIPE				0.20
23	23629504	DISTRIBUTOR				3.00
24	13346705	CONNECTING_SCR_BRACKET				1.00
25	SQ2050452MZ	CONNECTING SCREW				1.00
26	NM6050001SC	NUT M5X0.8 TYPE1				1.00
27	SM4040655SP	SCREW M4 L=6				2.00
28	40024405	ASSY_OIL_PAN				1.00
29	13345509	OIL PAN		*		1.00
30	13170105	RUBBER RING		*		1.00
31	13171004	DRAIN SCREW		*		1.00
32	SM6061802TP	SCREW M6 L=18				6.00
33	13345608	O RING				1.00
34	13345905	COVER PLATE				1.00
35	SM4040655SP	SCREW M4 L=6				2.00
36	70001636	OIL_TUBE HOLDER				1.00
37	SM4040855SP	SCREW				1.00
38	13346101	OIL SIGHT GAUGE				1.00
39	13345459	ASSY_PUMP_2-STAGE				1.00
40	13343108	OIL PUMP HOUSING		*		1.00
41	13343009	WORM WHEEL		*		1.00
42	SM8050412TP	SCREW M5 L=4		*		2.00
43	13345400	OIL PUMP SHAFT LARGE		*		1.00
44	13228309	OIL PUMP PINION		*		2.00
45	13228200	OIL PUMP PINION		*		2.00
46	13227905	GEAR PUMP SHAFT		*		1.00
47	13343405	OIL PUMP SPACER		*		1.00
48	13343207	OIL PUMP CASING		*		1.00
49	13343306	OIL PUMP COVER		*		1.00
50	SM6042000SP	SCREW		*		2.00

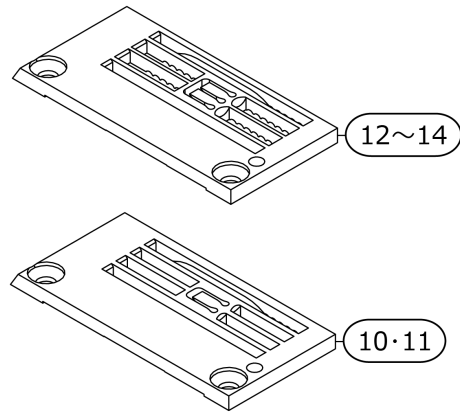
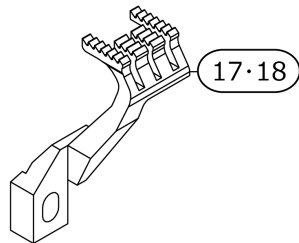
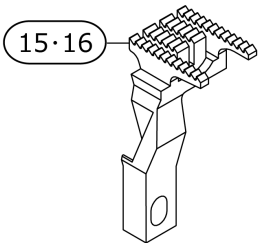
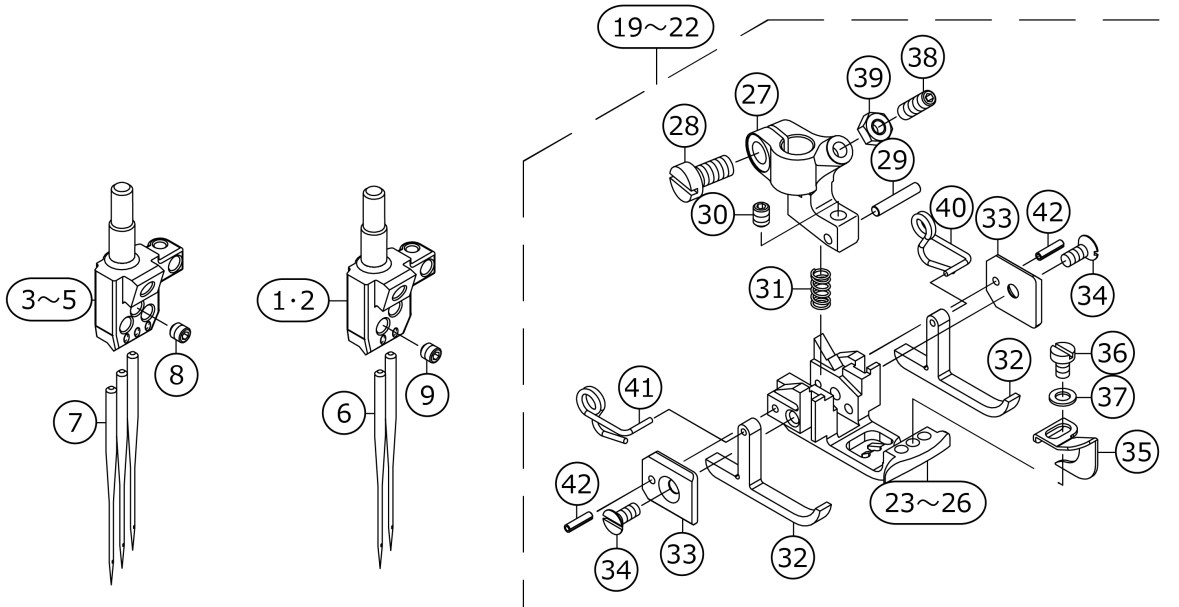
51	SM6040600SP	SCREW M4 L=6		*		2.00
52	SQ2060451MZ	CONNECTING SCREW		*		1.00
53	40004749	GASCKET		*		1.00
54	WP0550800SP	WASHER 5.5X10X0.8				2.00
55	SM6051602TP	SCREW M5X0.8 L=16				2.00
56	BP30000010R	VINYL PIPE				0.05
57	BP30000010R	VINYL PIPE				0.14
58	BP30000010R	VINYL PIPE				0.10
59	70001639	PIPE HOLDER				1.00
60	EA9500B0100	CABLE BAND				5.00
61	70001631	OIL_SAUCER				1.00
62	SM4040655SP	SCREW M4 L=6				2.00
63	NM6040000SN	NUT M4				1.00
64	23629306	PIPE STOPPER A				1.00
65	BP30000010R	VINYL PIPE				0.50
66	13345053	ASSY_OIL_SUPPLY_FOR_TOP				1.00
67	WP0450801SC	WASHER 4.5X10X0.8				1.00
68	NM6040000SN	NUT M4				1.00
69	70001975	ASSY_OIL_SUPPLY				1.00

THREAD STAND COMPONENTS



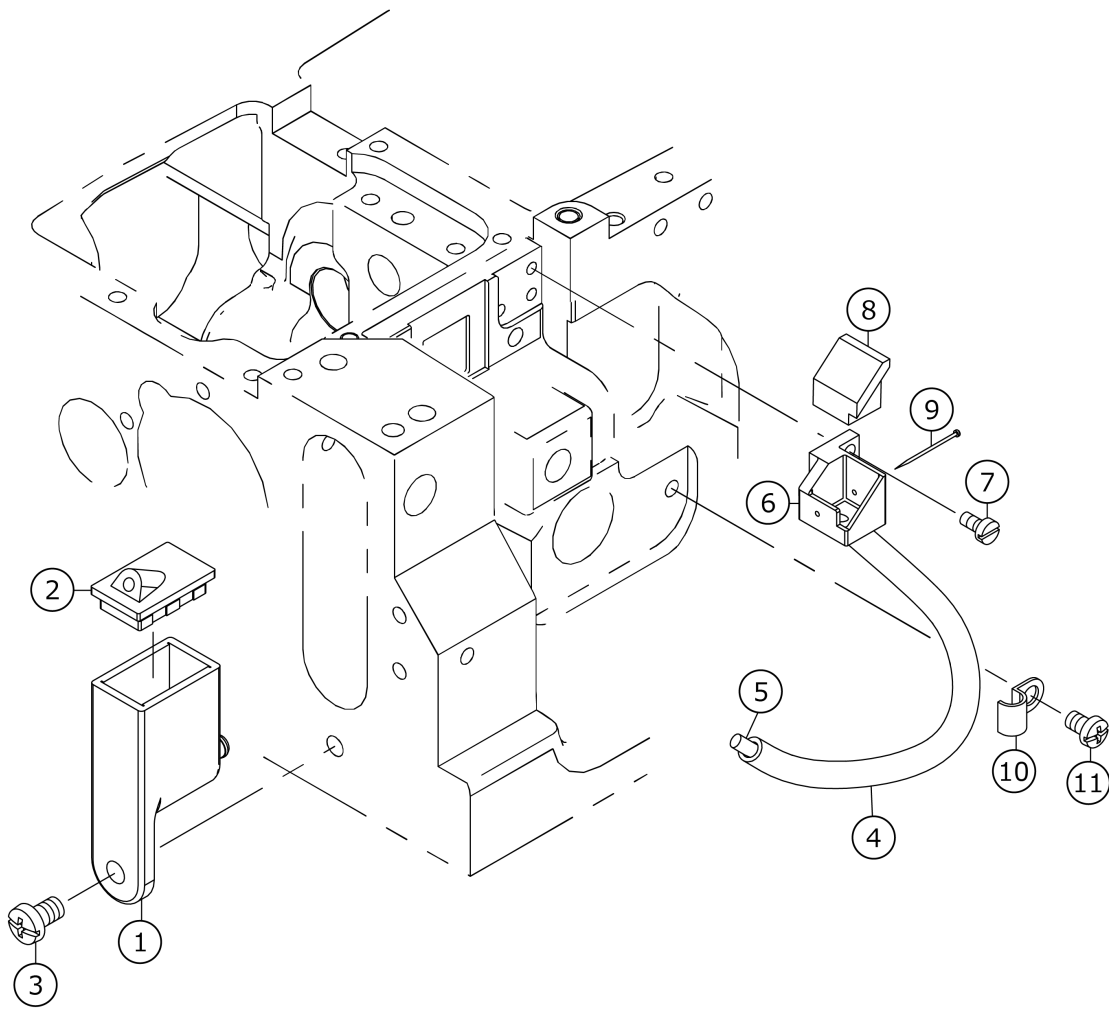
No.	品番	品名	備考	子部品	消耗品	個数
1	40106591	THREAD STAND ASM.				1.00
2	40106575	SPOOL REST LONG ARM UPPER		*		1.00
3	40085794	THREAD GUIDE		*		5.00
4	40085795	THREAD GUIDE BUSHING		*		5.00
5	40085787	SPOOL REST ARM UPPER		*		1.00
6	40085793	SPOOL REST ROD RUBBER CAP		*		1.00
7	40085785	SPOOL REST ROD UPPER		*		1.00
8	40085792	SPOOL REST ROD JOINT		*		1.00
9	40106581	THREAD GUIDE 5		*		1.00
10	40106580	THREAD GUIDE UNDER BASE		*		1.00
11	40106576	THREAD GUIDE ARM		*		1.00
12	40106579	THREAD GUIDE ARM BASE		*		1.00
13	40085784	SPOOL REST ROD LOWER		*		1.00
14	40085791	SPOOL RETAINER		*		5.00
15	40085790	SPOOL PIN		*		5.00
16	40085789	SPOOL REST CUSHION		*		5.00
17	40085788	SPOOL REST		*		5.00
18	40085786	SPOOL REST ARM LOWER		*		1.00
19	40106574	SPOOL REST LONG ARM LOWER		*		1.00
20	40096327	SPOOL REST ARM UPPER SCREW		*		2.00
21	40085796	SPOOL REST ROD RUBBER CUSHION		*		2.00
22	40096325	SPOOL REST ROD NUT		*		1.00
23	40096326	SPOOL REST ARM LOWER SCREW		*		2.00
24	SM4041201SC	SCREW_M4X0.7_L=12		*		3.00
25	SM4051405SE	SCREW M5 L=14		*		2.00
26	SM4042501SC	SCREW M4X0.7 L=25		*		1.00
27	NM6040002SC	NUT_M4X0.7 TYPE2		*		4.00
28	NM6050001SE	NUT M5X0.8 TYPE1		*		11.00
29	WP1612616SE	WASHER 16X30X2.6		*		2.00
30	WP0531001SC	WASHER M5		*		5.00
31	WS0510002KN	SPRING WASHER M5		*		5.00

GAUGE PARTS COMPONENTS



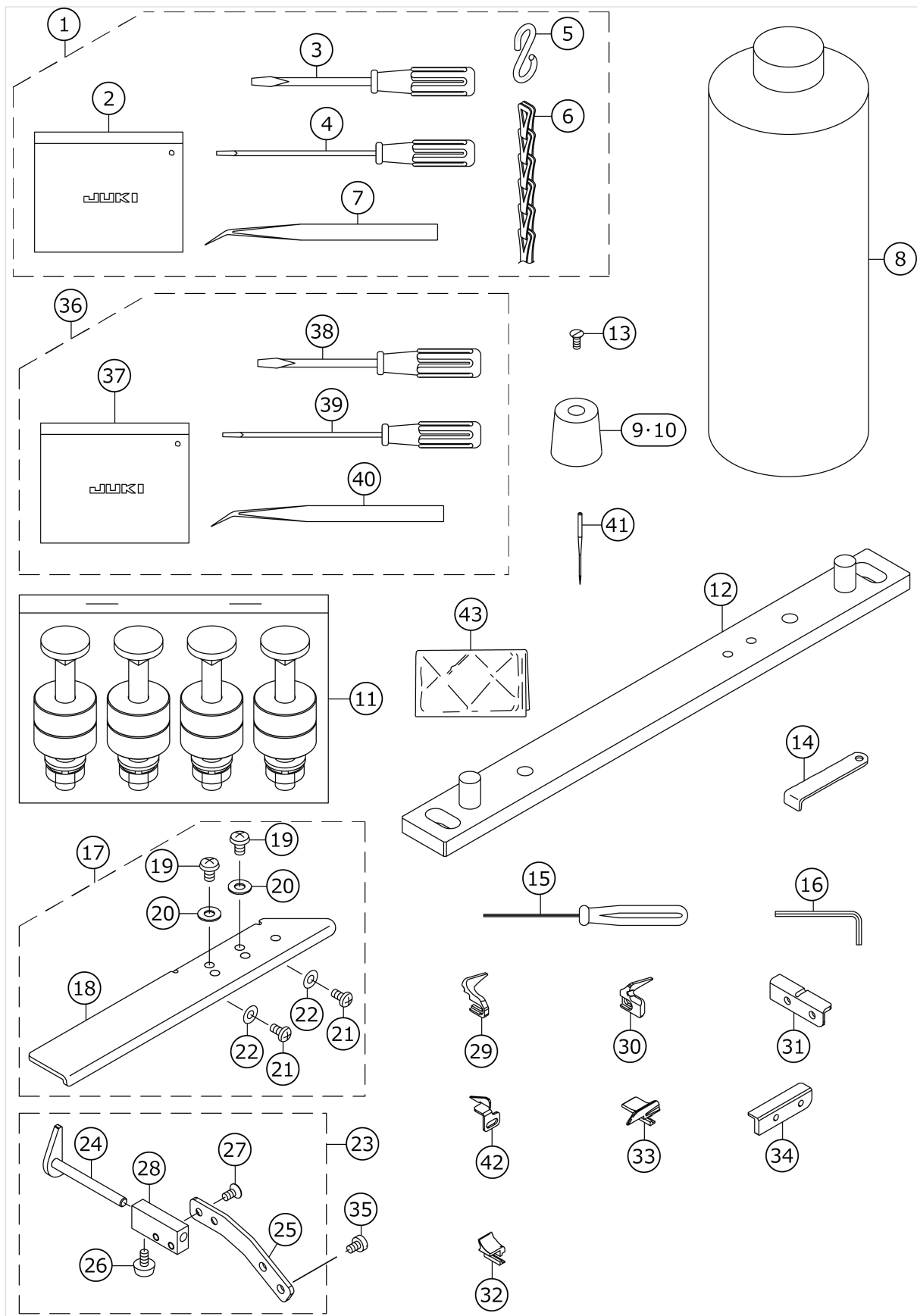
No.	品番	品名	備考	子部品	消耗品	個数
1	13350004	NEEDLE HEAD 32	FOR B32			1.00
2	13350103	NEEDLE HEAD 40	FOR B40			1.00
3	13350202	NEEDLE HEAD 48	FOR B48			1.00
4	13350301	NEEDLE HEAD 56	FOR B56			1.00
5	13350400	NEEDLE HEAD 64	FOR B64			1.00
6	MUY128S1000	NEEDLE UYX128GAS (S BALL POINT) #10S	FOR B32,B40			2.00
7	MUY128S1000	NEEDLE UYX128GAS (S BALL POINT) #10S	FOR B48,B56,B64			3.00
8	SM8030312TP	SCREW M3 L=3	FOR B32,B40			4.00
9	SM8030312TP	SCREW M3 L=3	FOR B48,B56,B64			3.00
10	40058587	THROAT PLATE	FOR B32			1.00
11	40058706	THROAT PLATE	FOR B40			1.00
12	40040514	THROAT PLATE	FOR B48			1.00
13	40058033	THROAT PLATE	FOR B56			1.00
14	40040513	THROAT PLATE	FOR B64			1.00
15	13354204	MAIN FEED DOG	FOR B32,B40,B48			1.00
16	13353701	MAIN FEED DOG	FOR B56,B64			1.00
17	13358304	DIFF FEED DOG	FOR B32,B40,B48			1.00
18	13357603	DIFF FEED DOG	FOR B56,B64			1.00
19	40090133	PRESSER FOOT ASSY	FOR B32			1.00
20	40090196	PRESSER FOOT ASSY	FOR B40			1.00
21	40090197	PRESSER FOOT ASSY	FOR B48			1.00
22	40082974	PRESSER FOOT ASSY	FOR B56,B64			1.00
23	40090130	PRESSER FOOT BOTTOM	FOR B32	*		1.00
24	40090131	PRESSER FOOT BOTTOM	FOR B40	*		1.00
25	40090132	PRESSER FOOT BOTTOM	FOR B48	*		1.00
26	40082975	PRESSER FOOT BOTTOM	FOR B56,B64	*		1.00
27	40070224	PRESSER FOOT HINGE		*		1.00
28	SM6040800SP	SCREW		*		1.00
29	13375209	PIVOT PIN		*		1.00
30	SM8030412TP	SCREW		*		1.00
31	13377106	SPRING		*		1.00
32	40070226	P_F_YIELDING SECTION		*		2.00
33	40070227	GUIDE PLATE		*		2.00
34	SM1850600SP	SCREW		*		2.00
35	40070231	PRESSER FOOT GUIDE		*		1.00
36	SM6850400SP	SCREW M2.5 L=4		*		1.00
37	WP0280500SC	WASHER		*		1.00
38	SM8031002TP	SCREW		*		1.00
39	NM6030001SD	NUT M3X0.5 TYPE1		*		1.00
40	40070230	SPRING R		*		1.00
41	40070229	SPRING L		*		1.00
42	PS0150065KP	SPRING PIN 1.5X6		*		2.00

NEEDLE COOLING COMPONENTS



No.	品番	品名	備考	子部品	消耗品	個数
1	40056919	SILICONE OIL TANK				1.00
2	13429105	SILICONE OIL TANK CAP				1.00
3	SM4050855SP	SCREW				1.00
4	BT0600402EA	URETHANE TUBE CLEAR BLUE 6X4				0.15
5	CQ303000000	COTTON OIL WICK D=3				0.30
6	70001644	SILICONE OIL CUP				1.00
7	SM6030600SP	SCREW M3X0.5 L=6				2.00
8	13348305	FELT				1.00
9	11856101	NEEDLE COOLER PIN				1.00
10	B3538112000	OIL RETURN TUBE HOLDER				1.00
11	SM4040655SP	SCREW M4 L=6				1.00

ACCESSORIES PARTS COMPONENTS



No.	品番	品名	備考	子部品	消耗品	個数
1	40013913	ACCESSORY_BAG_ASSY				1.00
2	22932800	ACCESSORIE BAG		*		1.00
3	22933105	SCREW DRIVER,MIDDLE		*		1.00
4	12347308	SCREW DRIVER (SMALL)		*		1.00
5	13160304	S SHAPED HOOK		*		2.00
6	70001840	CHAIN		*		1.00
7	12288403	TWEEZERS		*		1.00
8	MML018800CB	JUKI CORPORATION GENUINE OIL 1				1.00
9	40072505	ISOLATOR				1.00
10	13155403	ISOLATOR				3.00
11	13348966	ASSY_BOLT_SET				1.00
12	13348859	SUPPORT_PLATE_ASSY				2.00
13	13302203	SCREW				1.00
14	B9101490000	DRIVER				1.00
15	40032763	HEXAGONAL_DRIVER(1.5)				1.00
16	J106600000B	HEXAGONAL WRENCH KEY (2MM)				1.00
17	40099374	BINDER_BRACKET_ASSY				1.00
18	40099373	BINDER_BRACKET		*		1.00
19	SM5050855SN	SCREW M5 L=8		*		2.00
20	WP0550836SC	WASHER 5.5X12X0.8		*		2.00
21	SM4040855SP	SCREW		*		2.00
22	WP0450801SP	WASHER		*		2.00
23	70001964	HEM_GUIDE_BASE_ASSY				1.00
24	70001967	HEM_GUIDE		*		1.00
25	70001962	HEM_GUIDE_BASE_1		*		1.00
26	40019379	KNOB_SCREW		*		1.00
27	SM1040801SC	SCREW M4X0.7 L=8		*		2.00
28	70001963	HEM_GUIDE_BASE_2		*		1.00
29	70001813	COVERING_GUIDE_RIGHT				1.00
30	70001814	COVERING_GUIDE_LEFT				1.00
31	40099375	BRACKET_B				1.00
32	70001838	COVERING_GUARD_L				1.00
33	70001839	COVERING_GUARD_R				1.00
34	70001846	BRACKET				1.00
35	SM6040650TP	SCREW				2.00
36	70004227	ACCESSORY_BAG_ASSY	FOR UT35,UT37			1.00
37	22932800	ACCESSORIE BAG		*		1.00
38	22933105	SCREW DRIVER,MIDDLE		*		1.00
39	12347308	SCREW DRIVER (SMALL)		*		1.00
40	12288403	TWEEZERS		*		1.00
41	MUY128S1003	NEEDLES(PACKAGE_OF_3)				1.00
42	70001842	GUIDE_LEFT				1.00
43	40066644	HEAD_COVER				1.00

HOW TO MAKE USE OF THIS PARTS LIST

1.Explanation of codes

1)"*"mark.....means this part is changed from the previous parts book.

As to the details of the change, refer to the "List for information of change".

2)"#01".....refer to "Note" explanation at bottom of page.

2.Codes on the "Qty" column

· Each numeral indicates the number of parts required.

· "0.1" and "2.5" indicate the length (in meters) of the respective parts.

3.Parentheses mean that the corresponding part is a subpart that constructs an assembly part.

4.Dotted lines on the Figures indicate assembly parts.