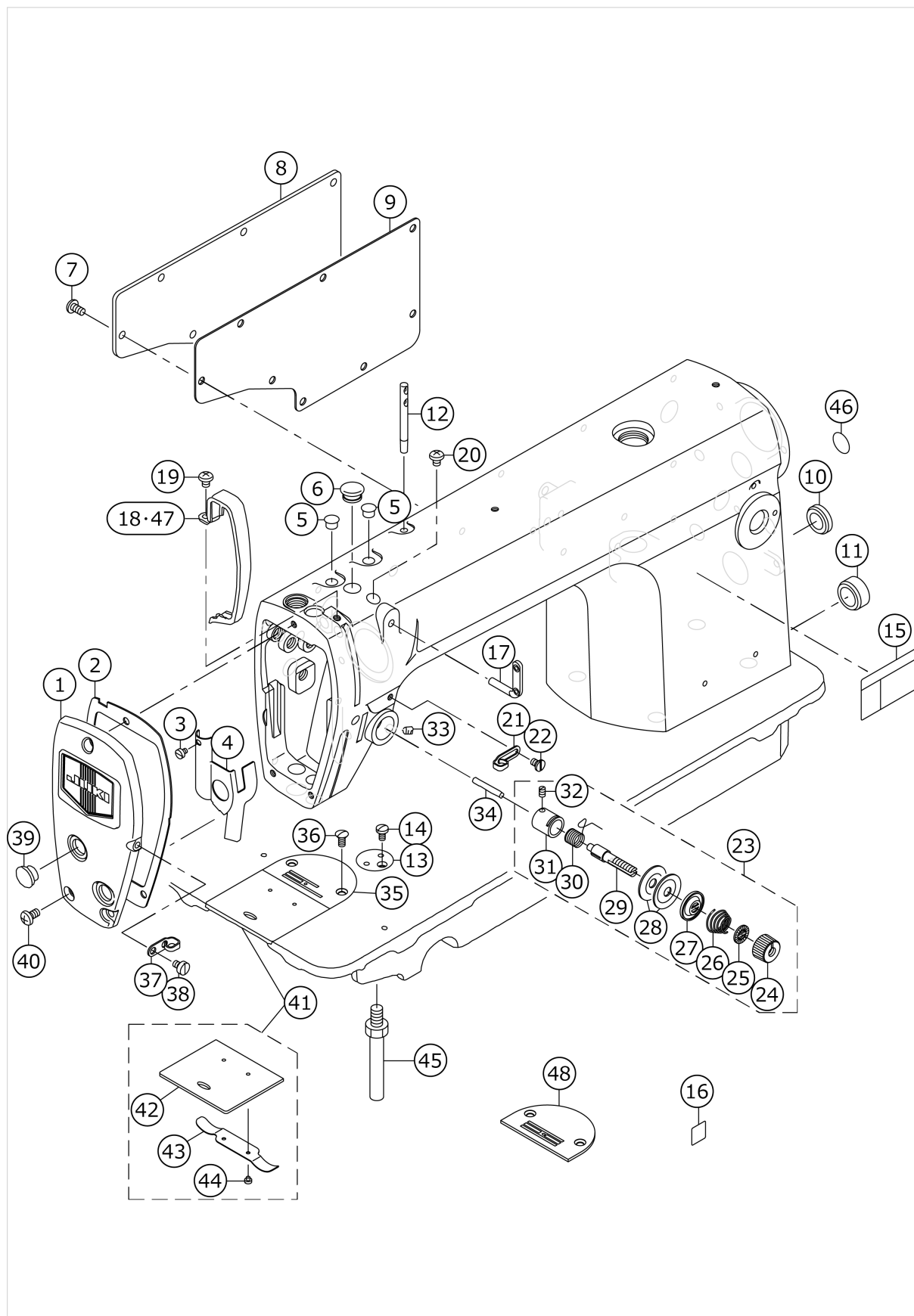


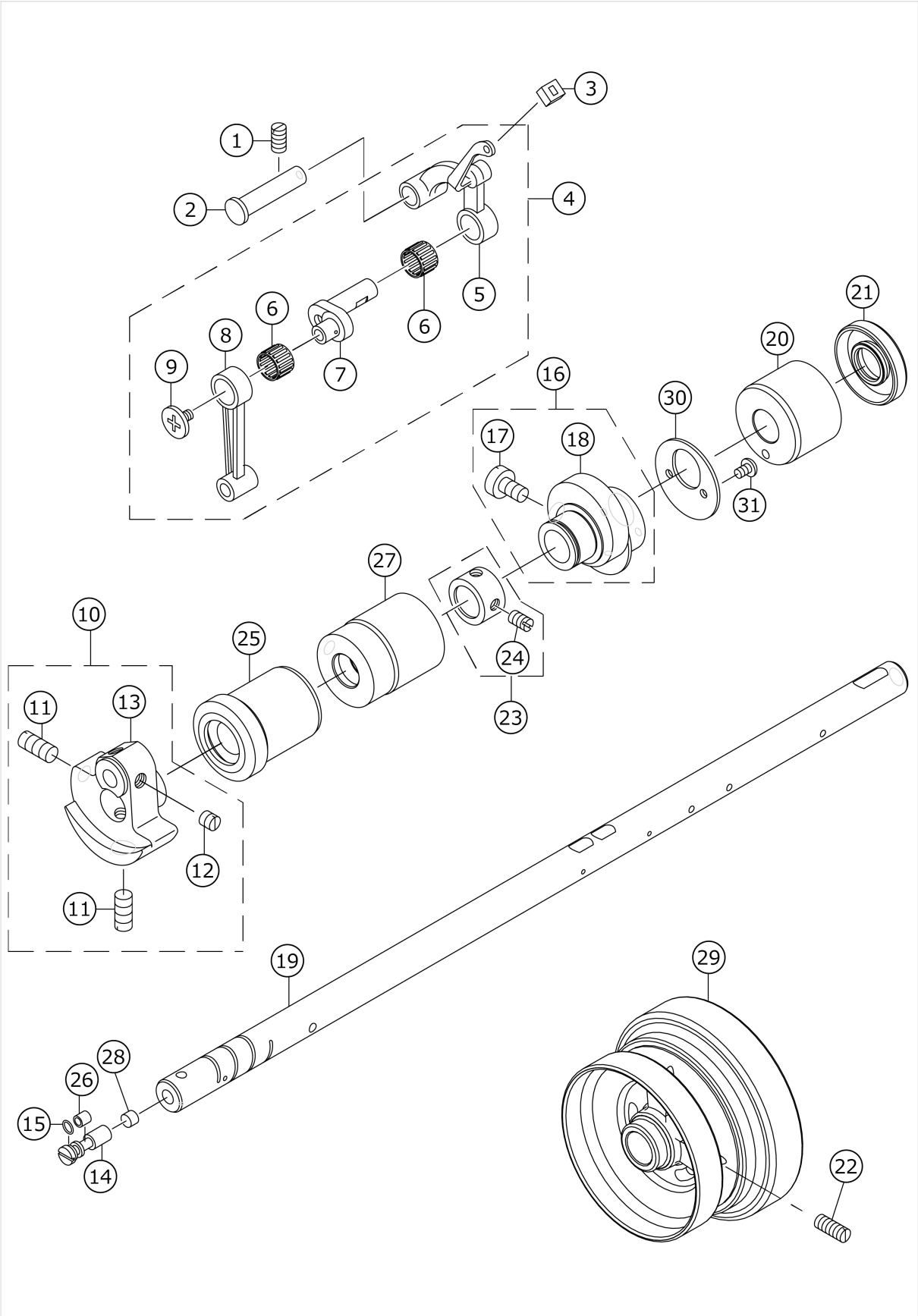
DDL-8100e

MACHINE FRAME & MISCELLANEOUS COVER COMPONENTS



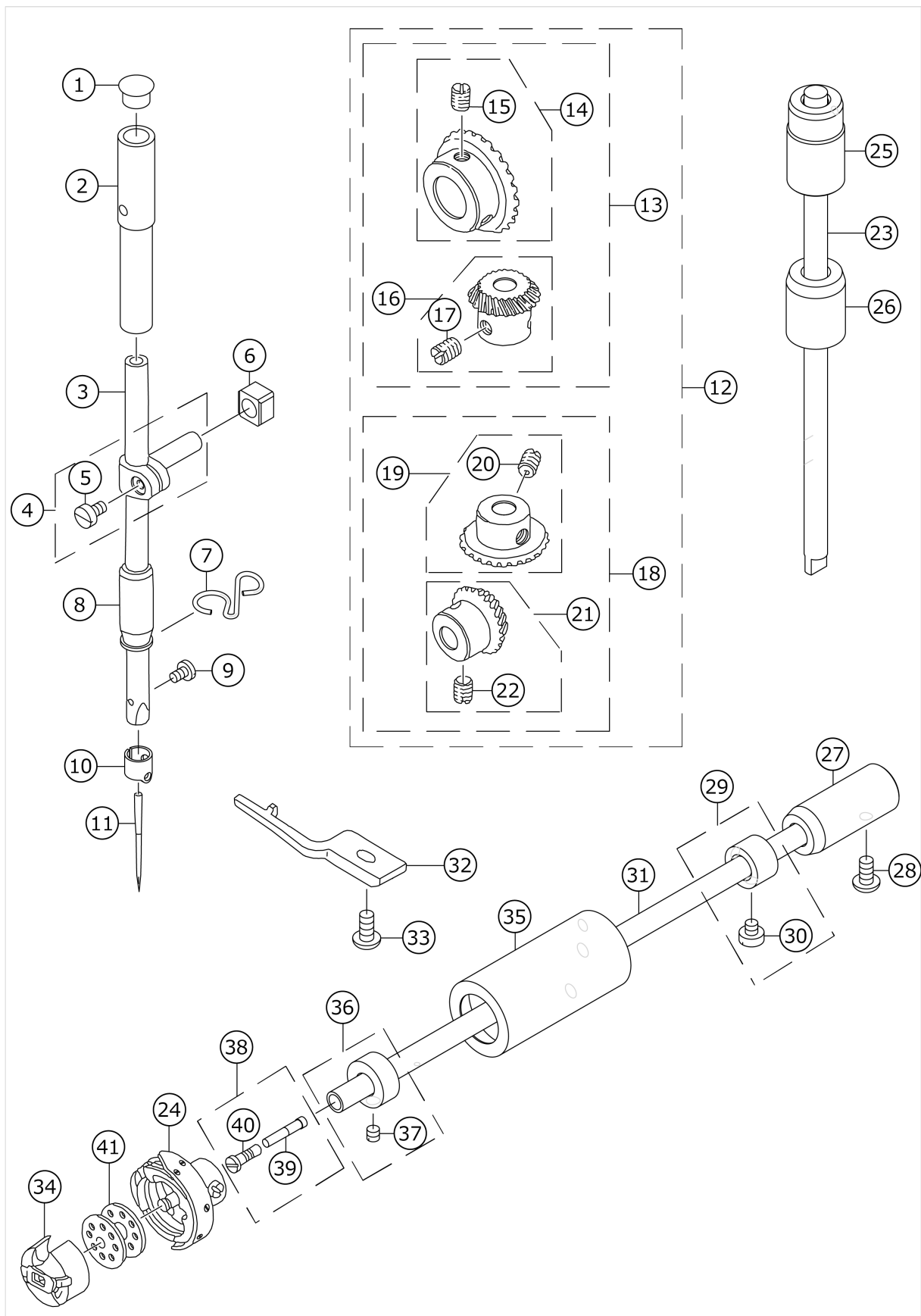
No.	品番	品名	備考	子部品	消耗品	個数
1	40102097	FACE PLATE ASM.				1.00
2	40012126	FACE PLATE PACKING				1.00
3	SS6080410SP	SCREW 1/8-44 L=4				1.00
4	22900757	FACE PLATE OIL SHIELD ASM.				1.00
5	TA0850604R0	RUBBER PLUG				2.00
6	TA1250705R0	RUBBER PLUG				1.00
7	SS4120915SP	SCREW 3/16-28 L=9				8.00
8	40124927	WINDOW_PLATE				1.00
9	40012129	SIDE PLATE PACKING				1.00
10	TA2000502R0	RUBBER PLUG				1.00
11	TA2101002R0	RUBBER PLUG				1.00
12	22958300	NEEDLE THREAD GUIDE PIN				1.00
13	40124928	RULER STOP SEAT				1.00
14	SS7110720SP	SCREW 11/64-40 L=7				1.00
15	40102261	SAFETY LABEL S				1.00
16	CM600100101	WEEE MARK LABEL S				1.00
17	22920706	TWO EYELET				1.00
18	22900609	THREAD TAKE-UP LEVER COVER				1.00
19	SS4120615SP	SCREW 3/16-28 L=6				1.00
20	SS4120615SP	SCREW 3/16-28 L=6				1.00
21	22920508	ARM THREAD GUIDE A				1.00
22	22921001	SCREW				1.00
23	22945356	THREAD TENSION ASM.				1.00
24	22921308	THREAD TENSION NUT		*		1.00
25	22921407	ROTATION STOPPER		*		1.00
26	22921704	THREAD TENSION SPRING A		*		1.00
27	22921803	DISK STOPPER		*		1.00
28	22921506	THREAD TENSION DISK		*		2.00
29	22921209	THREAD TENSION POST		*		1.00
30	22921605	THREAD TAKE-UP SPRING		*		1.00
31	22945307	THREAD TENSION POST BASE		*		1.00
32	SS8090670SP	SCREW 9/64-40 L= 5.5		*		1.00
33	SS8150710TP	SCREW 15/64-28 L=7				1.00
34	B3118552E00	TENSION RELEASING				1.00
35	11028008	THROAT PLATE				1.00
36	SS2110920TP	SCREW 11/64-40 L=8.5				2.00
37	22920607	ARM THREAD GUIDE B				1.00
38	SS6110610TP	SCREW 11/64-40 L=6				1.00
39	TA1250406R0	RUBBER PLUG D=12.5 L=4				2.00
40	SS4120915SP	SCREW 3/16-28 L=9				3.00
41	22901250	SLIDE PLATE ASM.				1.00
42	22901201	SLIDE PLATE		*		1.00
43	22901300	SLIDE PLATE SPRING		*		1.00
44	SS6060210SP	SCREW 3/32-56 L= 1.9		*		2.00
45	22901003	BED SCREW STUD				4.00
46	22901805	GROUND MARK				1.00
47	11415205	THREAD TAKE-UP LEVER COVER(JE)	FOR JE			1.00
48	22965909	THROAT PLATE	ONLY VIETNAM USES IT.			1.00

MAIN SHAFT & THREAD TAKE-UP LEVER COMPONENTS



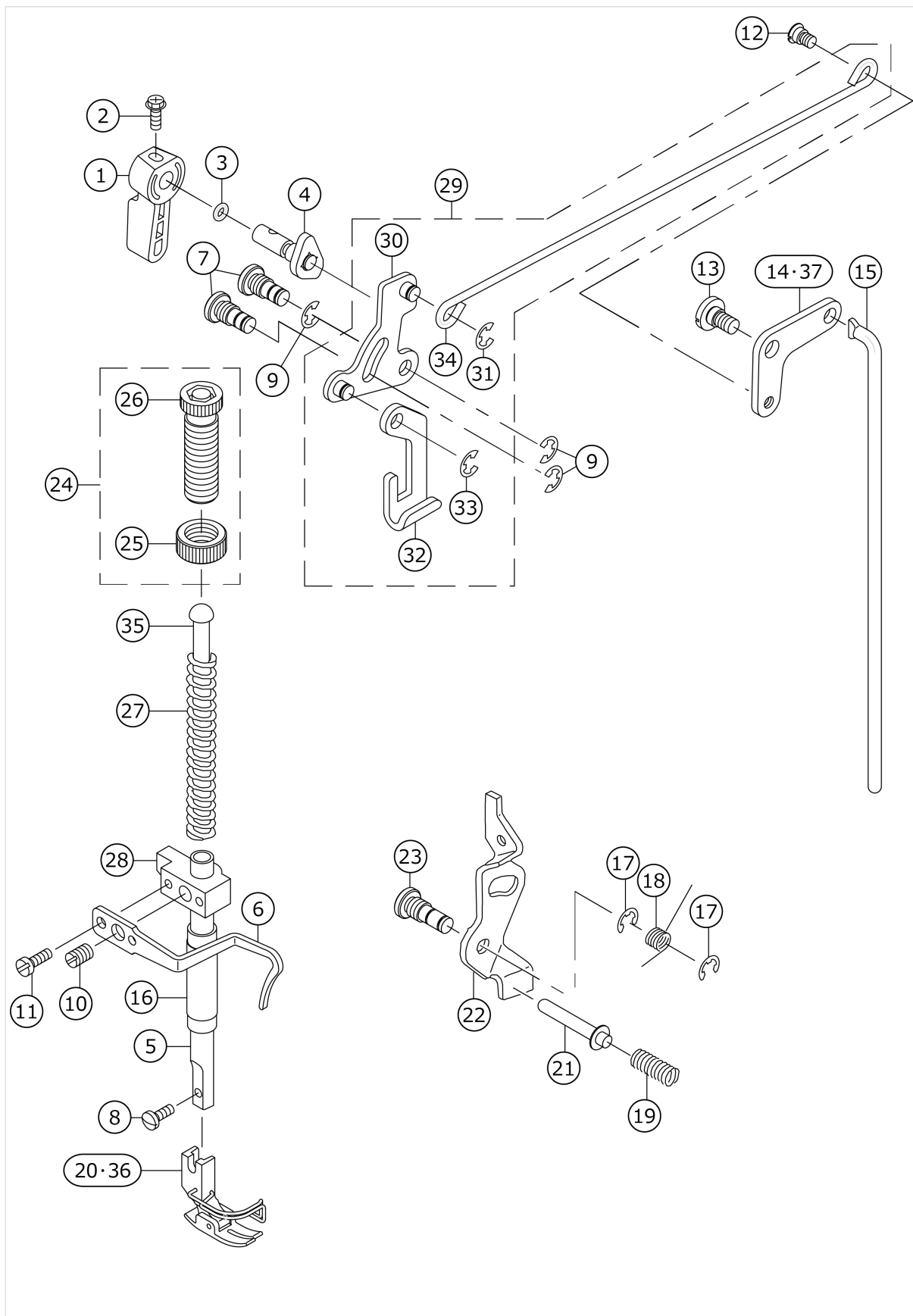
No.	品番	品名	備考	子部品	消耗品	個数
1	SS8151150TP	SCREW 15/64-28 L=10.5				1.00
2	40106138	THREAD_TAKE-UP_CRANK_SHAFT_ASM				1.00
3	22919203	OIL PROTECTING RUBBER				1.00
4	22918072	THREAD TAKE-UP LEVER COMPL.				1.00
5	22918064	THREAD TAKE-UP LEVER ASM.		*		1.00
6	22918502	NEEDLE BEARING B	SELECTIVE PARTS	*		2.00
7	22918106	NEEDLE BAR CRANK		*		1.00
8	22906606	NEEDLE BAR CRANK ROD		*		1.00
9	22918304	LEFT SCREW		*		1.00
10	40110390	COUNTER_WEIGHT_ASM.				1.00
11	SS8681650TP	SCREW 9/32-28 L=16		*		2.00
12	SS8660610TP	SCREW 1/4-40 L=6		*		2.00
13	40110376	COUNTER_WEIGHT		*		1.00
14	22903900	ADJUSTING PIN				1.00
15	RO029180100	RUBBER RING				1.00
16	22910053	FEED DRIVE ECCENTRIC CAM ASM.				1.00
17	SS6661110SP	SCREW 1/4-40 L=11		*		2.00
18	22910004	FEED DRIVE ECCENTRIC CAM		*		1.00
19	22903009	MAIN SHAFT				1.00
20	40048594	MAIN SHAFT BUSHING				1.00
21	40105231	OIL SEAL				1.00
22	SS8151550SP	SCREW 15/64-28 L=15				2.00
23	22904155	MAIN SHAFT THRUST COLLAR ASM.				1.00
24	SS8660610TP	SCREW 1/4-40 L=6		*		2.00
25	22903207	MAIN SHAFT BUSHING FRONT				1.00
26	B1215552000	OIL ADJUSTING COLLAR				1.00
27	22903306	BUSHING INTERMEDIATE				1.00
28	11002904	ROLLER FELT				1.00
29	40101350	HAND WHEEL				1.00
30	22910103	THRUST COLLAR				1.00
31	SS4090615SP	SCREW 9/64-40 L=6				2.00

NEEDLE BAR, UPRIGHT SHAFT & HOOK DRIVING SHAFT COMPONENTS



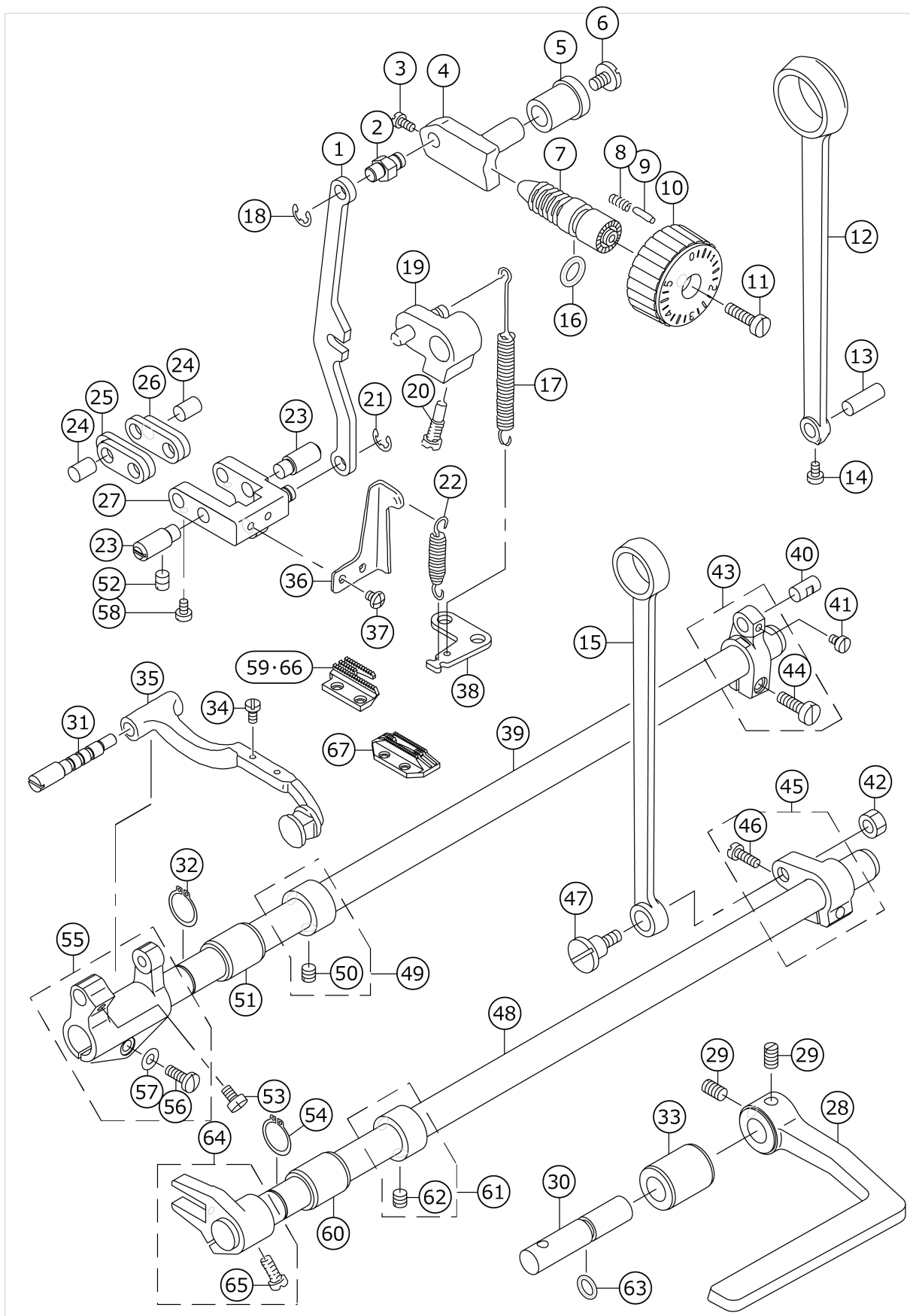
No.	品番	品名	備考	子部品	消耗品	個数
1	TA0850604R0	RUBBER PLUG				1.00
2	22906101	NEEDLE BAR BUSHING UPPER				1.00
3	22906002	NEEDLE BAR				1.00
4	22906457	NEEDLE BAR HOLDER ASM.				1.00
5	SS6090670TP	SCREW 9/64-40 L=6		*		1.00
6	40090058	SLIDE BLOCK				1.00
7	22920805	NEEDLE BAR THREAD GUIDE				1.00
8	40101441	NEEDLE BAR BUSHING LOWER				1.00
9	SS7080510TP	SCREW 1/8-44 L=4.5				1.00
10	22906309	NEEDLE BAR THREAD GUIDE				1.00
11	MDB100B1400	NEEDLE DBX1 #14				1.00
12	B13061550C0	GEAR & PINION ASM.	ONLY VIETNAM USES IT.			1.00
13	B13061550B0	GEAR & PINION ASM. UPPER	ONLY VIETNAM USES IT.	*		1.00
14	40090002	UPPER LARGE BEVEL GEAR ASM.		*		1.00
15	SS8660810TP	SCREW 1/4-40 L=8		*		2.00
16	40090003	UPPER SMALL BEVEL GEAR ASM.		*		1.00
17	SS8660810TP	SCREW 1/4-40 L=8		*		2.00
18	B13071550B0	GEAR & PINION ASM. LOWER	ONLY VIETNAM USES IT.	*		1.00
19	40090004	LOWER LARGE BEVEL GEAR ASM.		*		1.00
20	SS8660810TP	SCREW 1/4-40 L=8		*		2.00
21	40090005	LOWER SMALL BEVEL GEAR ASM.		*		1.00
22	SS8660810TP	SCREW 1/4-40 L=8		*		2.00
23	40101461	UPRIGHT SHAFT				1.00
24	40122606	HOOK ASM.				1.00
25	22905103	UPRIGHT SHAFT BUSHING UPPER				1.00
26	22905202	UPRIGHT SHAFT BUSHING LOWER				1.00
27	22916308	HOOK DRIVING SHAFT BUSH REAR				1.00
28	SS4120915SP	SCREW 3/16-28 L=9				1.00
29	22917157	THRUST COLLAR ASM. REAR				1.00
30	SS6110420TP	SCREW 11/64-40 L=4.8		*		2.00
31	22916001	HOOK DRIVING SHAFT				1.00
32	22916407	BOBBIN CASE POSITIONING FINGER				1.00
33	SS4110915TP	SCREW 11/64-40 L=9				1.00
34	B18370120A0	BOBBIN CASE ASM.				1.00
35	40101992	HOOK_DRIVING_SHAFT_BUSH_FRONT				1.00
36	40101694	THRUST COLLAR ASM. FRONT				1.00
37	SS8110410TP	SCREW 11/64-40 L= 3.5		*		1.00
38	22916555	OIL SEAL SCREW ASM.				1.00
39	11015906	OIL WICK		*		1.00
40	22916506	SET SCREW		*		1.00
41	22932909	BOBBIN				1.00

HAND LIFTER COMPONENTS



No.	品番	品名	備考	子部品	消耗品	個数
1	22907802	HAND LIFTER				1.00
2	B1521555000	SCREW				1.00
3	RO037180100	RUBBER RING				1.00
4	22908552	HAND LIFTER CAM ASM.				1.00
5	40017805	PRESSER BAR				1.00
6	22907307	THREAD GUIDE				1.00
7	22908701	LINK SHAFT				1.00
8	SS7091110TP	SCREW 9/64-40 L=10.5				1.00
9	RE0500000K0	E-RING				3.00
10	SS8660810TP	SCREW 1/4-40 L=8				1.00
11	SS6090910SP	SCREW 9/64-40 L=9				2.00
12	22908909	HINGE SCREW				1.00
13	SD0720331SP	HINGE SCREW D= 7.24 H= 3.3				1.00
14	22908800	KNEE LIFTER LINK				1.00
15	22909006	KNEE LIFTER CONNECTING ROD				1.00
16	40060989	PRESSER BAR BUSHING LOWER				1.00
17	RE0500000K0	E-RING				2.00
18	22920201	RETURN SPRING				1.00
19	22920409	THREAD RELEASE PIN SPRING				1.00
20	40102595	PRESSER FOOT ASM.				1.00
21	22920300	THREAD RELEASE SUPPORTING PIN				1.00
22	22920003	THREAD RELEASE PLATE				1.00
23	22920102	TENSION RELEASE SHAFT				1.00
24	22907554	PRESSER SPRING REGULATOR ASM.				1.00
25	22907604	PRESSER SPRING REGULATOR NUT		*		1.00
26	22907505	PRESSER SPRING REGULATOR		*		1.00
27	22907406	PRESSER SPRING				1.00
28	40098388	PRESSER BAR GUIDE BRACKET				1.00
29	22908354	KNEE LIFTING CROSS ROD ASM.				1.00
30	22908156	LIFTING LINK ASM.		*		1.00
31	RE0500000K0	E-RING		*		1.00
32	22908008	LIFTING PLATE		*		1.00
33	RE0500000K0	E-RING		*		1.00
34	22908305	KNEE LIFTER SIDE ROD		*		1.00
35	22907703	PRESSER GUIDE BAR				1.00
36	B15240120BA	PRESSER FOOT ASM.	ONLY VIETNAM USES IT.			1.00
37	40124929	KNEE LIFTER LINK	ONLY VIETNAM USES IT.			1.00

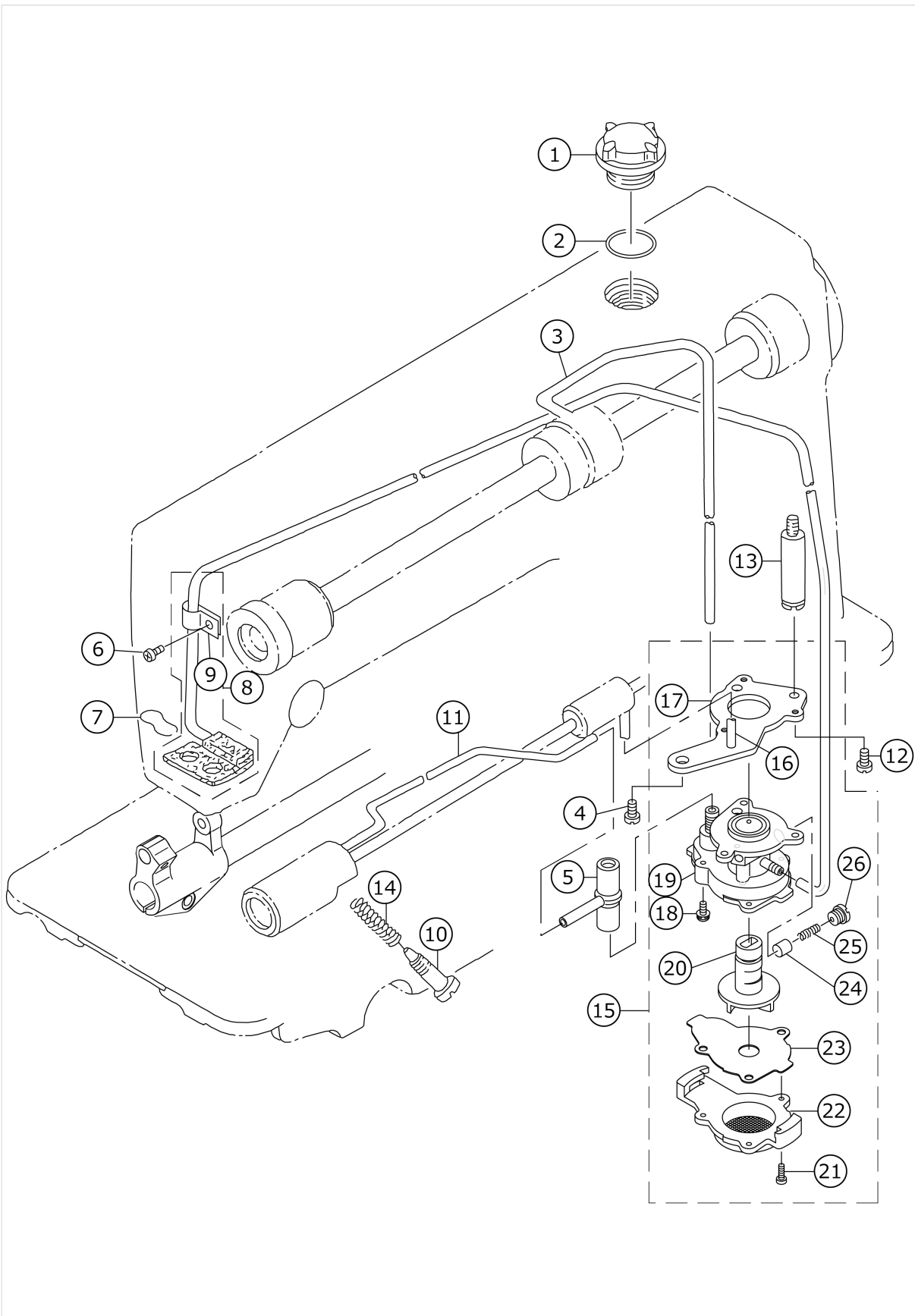
FEED MECHANISM COMPONENTS



No.	品番	品名	備考	子部品	消耗品	個数
1	40105819	FEED_REGULATOR_CONNECTING_ROD				1.00
2	22911507	WALKING FOOT PIN C				1.00
3	SS6090670TP	SCREW 9/64-40 L=6				2.00
4	22911606	FEED REGULATOR				1.00
5	22911705	FEED REGULATOR BUSHING				1.00
6	SS7120770SH	SCREW 3/16-28 L=7				1.00
7	22911804	FEED REGULATOR SCREW				1.00
8	22912109	FEED REGULATOR PIN SPRING				1.00
9	22912000	FEED REGULATOR PIN				1.00
10	40101726	FEED DIAL				1.00
11	SS6121860SP	SCREW 3/16-28 L=18				1.00
12	22910202	ROCKER SHAFT CONNECTING ROD				1.00
13	22911101	WALKING FOOT PIN C				1.00
14	SS6090620TP	SCREW				1.00
15	22915003	CONNECTING ROD				1.00
16	RO092270200	RUBBER RING				1.00
17	11010311	LEVER SPRING (OLD TYPE)				1.00
18	RE0500000K0	E-RING				1.00
19	22912257	FEED REVERSE ARM ASM.				1.00
20	22912505	FEED REVERSE ARM SCREW				1.00
21	RE0500000K0	E-RING				1.00
22	22911309	ADJUSTING LINK SPRING				1.00
23	22910806	ADJUST LINK FULCRUM SHAFT A				2.00
24	22910905	WALKING FOOT PIN A				2.00
25	40089548	CONNECTING LINK B				2.00
26	40093417	CONNECTING LINK A				2.00
27	22910459	FEED ADJUSTING LINK ASM.				1.00
28	22912703	FEED LEVER				1.00
29	SM8061010TP	SCREW				2.00
30	40100812	FEED LEVER SHAFT				1.00
31	40101462	FEED BASE SHAFT				1.00
32	RC0150001KP	RETAINING RING 13.8				1.00
33	22912802	FEED LEVER SHAFT BUSHING				1.00
34	SS4080620TP	SCREW 1/8-44 L=6				2.00
35	22940753	FEED BAR ASM.				1.00
36	22941306	REGULATOR LINK SPRING HOOK				1.00
37	SS4110515SP	SCREW 11/64-40 L=5				2.00
38	22913701	FEED SPRING HOOK				1.00
39	40102124	FEED ROCKER SHAFT				1.00
40	22911002	WALKING FOOT PIN B				1.00
41	SS6090620TP	SCREW				1.00
42	NS6680410SP	NUT 9/32-28				1.00
43	40110379	ASSY_FEED_ROCKER_ARM				1.00
44	SS6121610SP	SCREW 3/16-28 L=15.5		*		1.00
45	40109422	FEED_ARM_ASM				1.00
46	SS7121610SP	SCREW 3/16-28 L=15.5		*		1.00
47	SD1000801SH	HINGE SCREW D=10 H=8				1.00
48	22915201	FEED DRIVING SHAFT				1.00
49	22904155	MAIN SHAFT THRUST COLLAR ASM.				1.00
50	SS8660610TP	SCREW 1/4-40 L=6		*		2.00

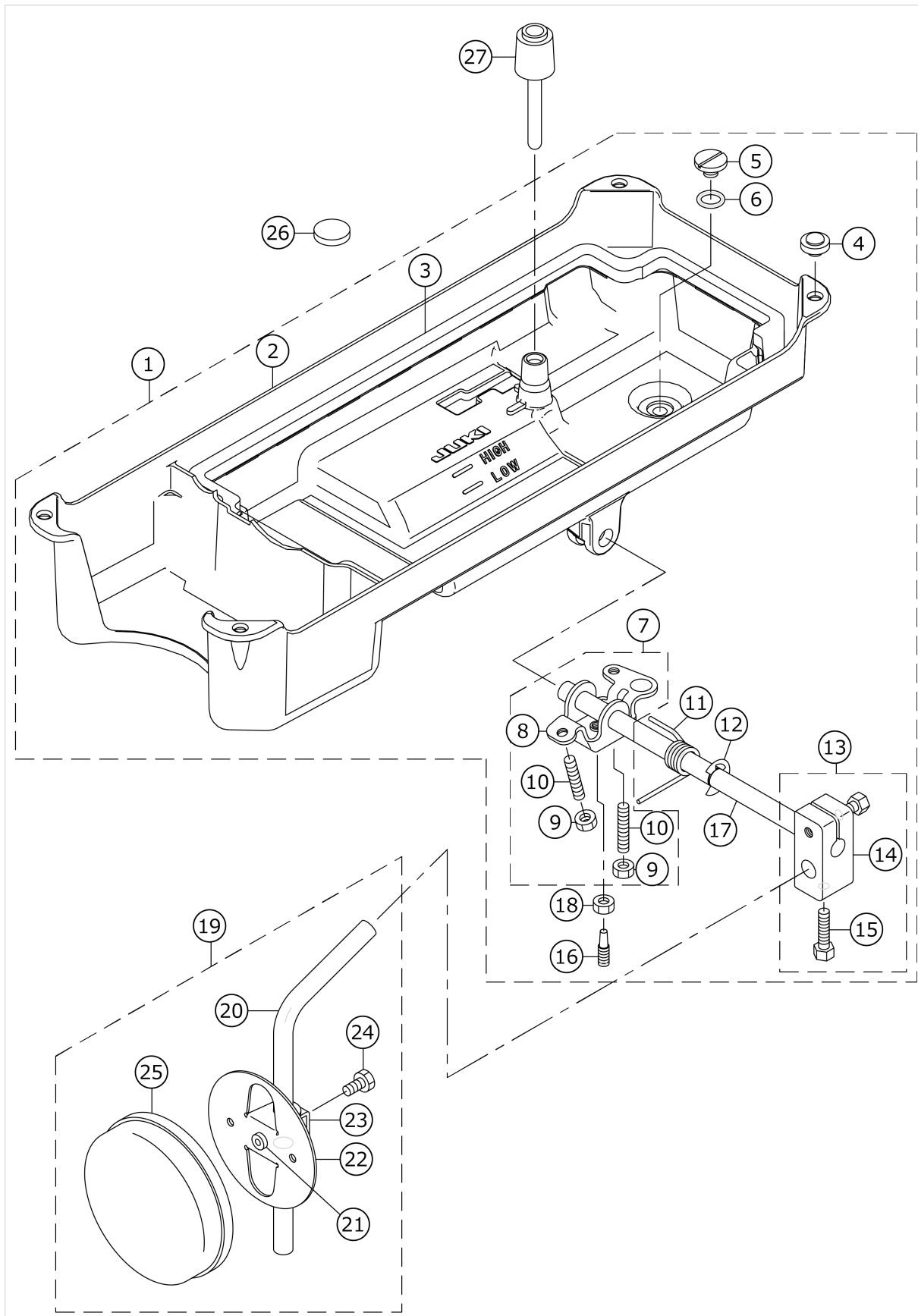
51	40101702	FEED ROCKER SHAFT BUSHING				1.00
52	SS6151220SP	SCREW 15/64-28 L=11.5				2.00
53	SS7110740TP	SCREW 11/64-40 L=7				1.00
54	RC0150001KP	RETAINING RING 13.8				1.00
55	22940654	FEED ROCKER ASM.				1.00
56	SS7121410TP	SCREW 3/16-28 L=14		*		1.00
57	WP0480856SP	WASHER 4.8X8.4X0.8		*		1.00
58	SS6090620TP	SCREW				2.00
59	40101701	FEED DOG A				1.00
60	40101702	FEED ROCKER SHAFT BUSHING				1.00
61	22904155	MAIN SHAFT THRUST COLLAR ASM.				1.00
62	SS8660610TP	SCREW 1/4-40 L=6		*		1.00
63	RO078190100	RUBBER RING				1.00
64	22915359	DRIVING SHAFT CRANK ASM.				1.00
65	SS7111120SP	SCREW 11/64-40 L=10.5		*		1.00
66	B1613012A00	FEED DOG A	ONLY VIETNAM USES IT.			1.00
67	B1613012I00	FEED DOG I	ONLY VIETNAM USES IT.			1.00

OIL LUBRICATION COMPONENTS



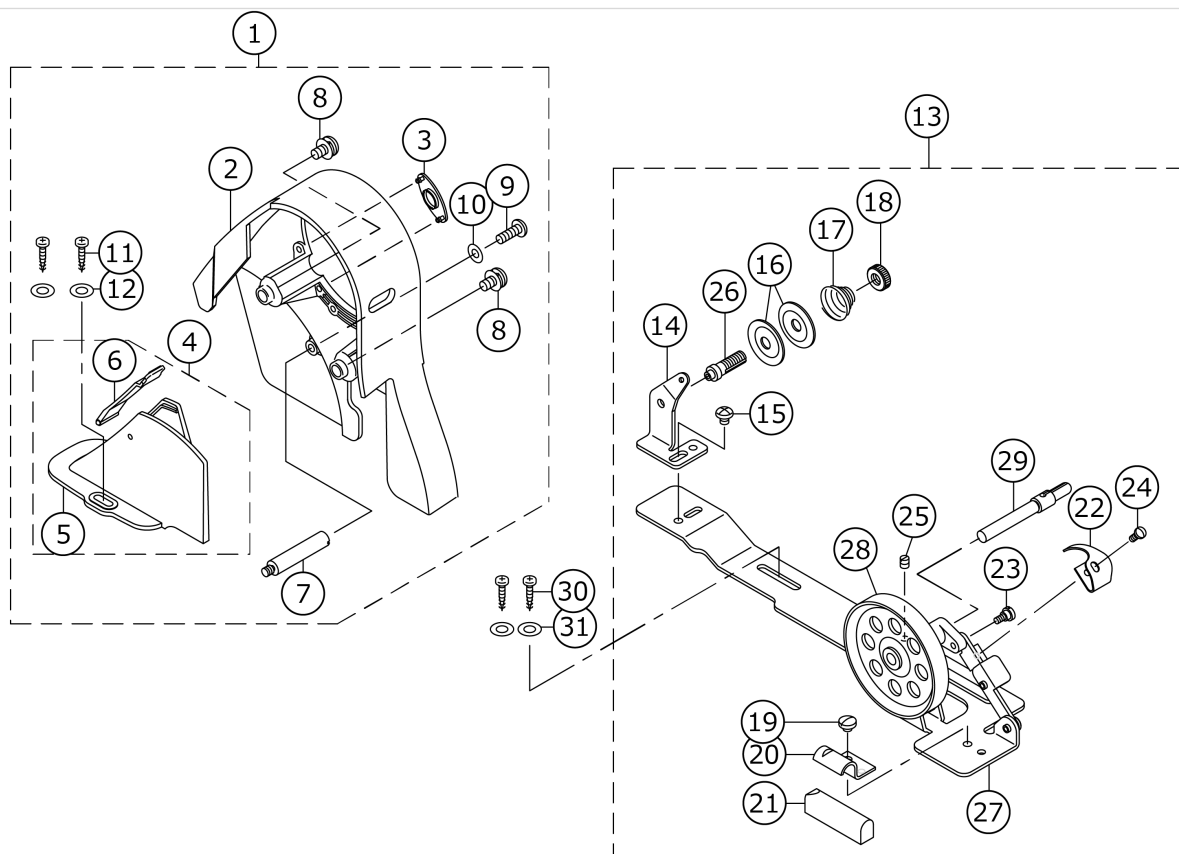
No.	品番	品名	備考	子部品	消耗品	個数
1	22924708	OIL SIGHT WINDOW				1.00
2	RO195240100	RUBBER RING				1.00
3	22924401	MAIN SHAFT OIL TUBE				1.00
4	SS4150915SP	SCREW 15/64-28 L=9				1.00
5	22924609	RUBBER JOINT				1.00
6	SS4120615SP	SCREW 3/16-28 L=6				1.00
7	22925101	OIL FELT PRESSER				1.00
8	22924153	RETURN PIPE ASM.				1.00
9	22924302	RETURN PIPE HOLDER		*		1.00
10	22925002	OIL REGULATOR SCREW				1.00
11	22924500	HOOK OIL TUBE				1.00
12	SS6111010TP	SCREW 11/64-40 L= 9.5				1.00
13	22924005	PUMP BODY STRUT				1.00
14	22924906	OIL REGULATOR SCREW SPRING				1.00
15	22923056	OIL PUMP ASM.				1.00
16	22923908	HOOK DRIVING SHAFT OILING PIPE		*		1.00
17	22923312	PUMP BODY INSTALLING PLATE		*		1.00
18	SL4030851SF	SCREW M3 L=8		*		3.00
19	22923015	OIL PUMP		*		1.00
20	22923700	IMPELLER		*		1.00
21	SE4301041SR	SCREW D=3 L=10		*		3.00
22	22923205	PUMP BODY COVER		*		1.00
23	22923809	PUMP BODY SUPPORT PLATE		*		1.00
24	22923403	PLUNGER		*		1.00
25	22923601	PLUNGER SPRING		*		1.00
26	22923502	PLUNGER SCREW		*		1.00

OIL RESERVOIR COMPONENTS



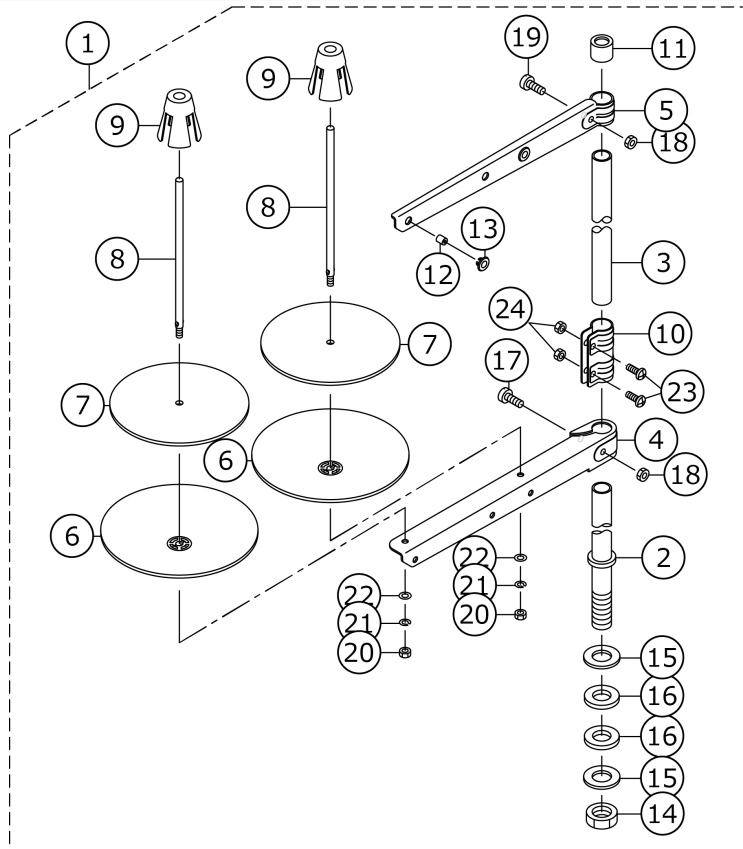
No.	品番	品名	備考	子部品	消耗品	個数
1	40102085	OIL RESERVOIR ASM.				1.00
2	40105821	OIL RESERVOIR		*		1.00
3	22931901	OIL RESERVOIR GASKET		*		1.00
4	22932008	RUBBER CUSHION		*		4.00
5	SS6700710SH	SCREW 5/16-24 L=7		*		1.00
6	RO108240100	RUBBER RING		*		1.00
7	22932156	KNEE LIFTER ROTATION ARM ASM.		*		1.00
8	22932107	KNEE LIFTING ROTATING ARM		*		1.00
9	NM6060001SE	NUT M6		*		2.00
10	SM8063012TR	SCREW M6 L=30		*		2.00
11	22932206	SPRING		*		1.00
12	RE1000000K0	E-RING 10		*		1.00
13	22932453	BRACKET ASM.		*		1.00
14	22932404	BRACKET		*		1.00
15	22934707	SCREW		*		2.00
16	40101720	SCREW_M6		*		1.00
17	40101541	KNEE PRESS CROSS SHAFT		*		1.00
18	NM6060001SE	NUT M6		*		1.00
19	22934251	KNEE PAD PLATE ASM.				1.00
20	22934608	KNEE PAD UPRIGHT SHAFT		*		1.00
21	22934400	KNEE PAD PLATE RUBBER		*		1.00
22	22934202	KNEE PAD PLATE		*		1.00
23	22934301	KNEE PAD PLATE SUPPORT		*		1.00
24	SM9061203SE	SCREW M6 L=12		*		1.00
25	22934509	KNEE PAD PLATE COVER		*		1.00
26	B8228125000	OIL RESERVOIR MAGNET				1.00
27	22931703	KNEE LIFTER PUSH ROD				1.00

BELT COVER & BOBBIN COMPONENTS



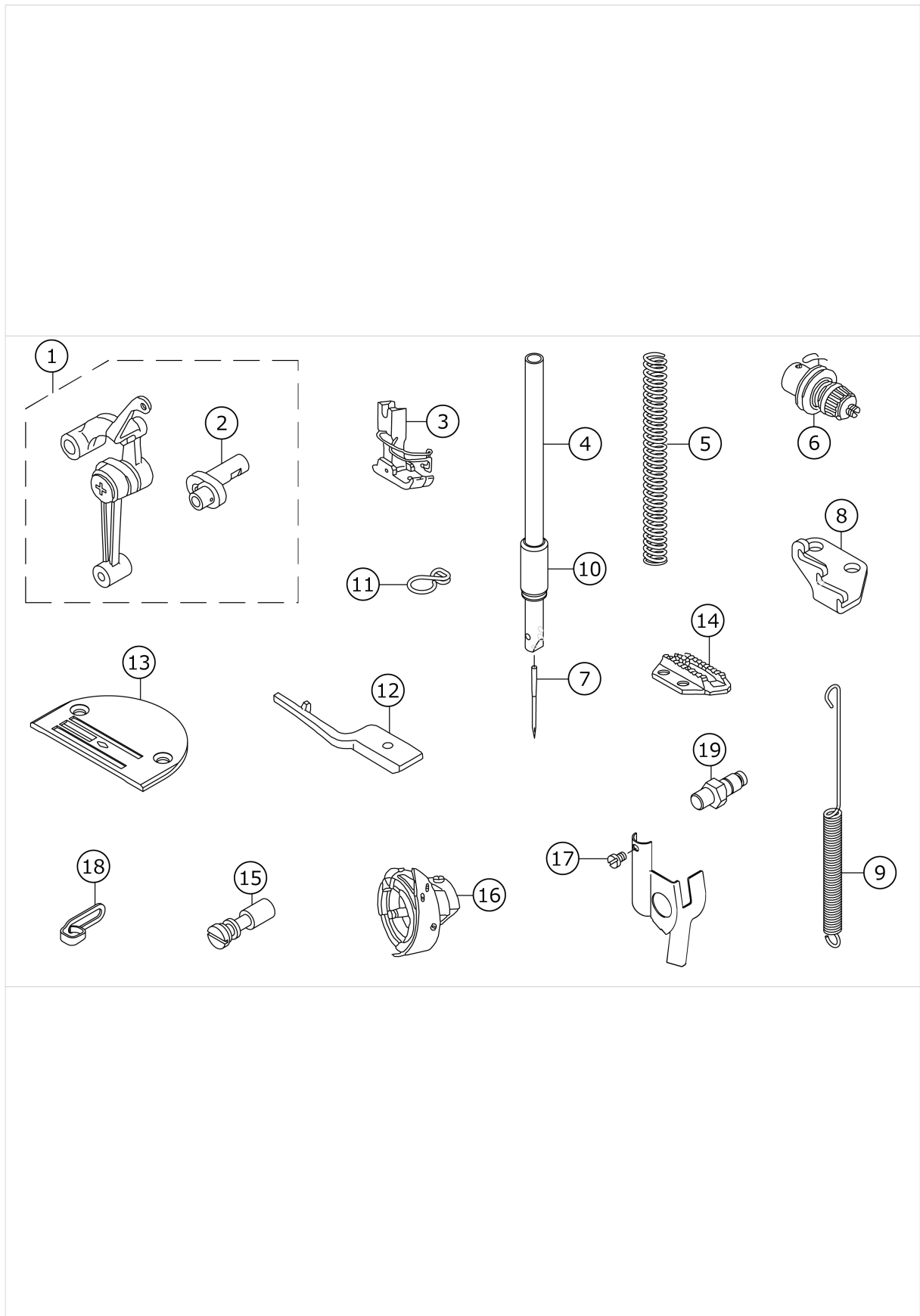
No.	品番	品名	備考	子部品	消耗品	個数
1	22933451	BELT COVER ASM.				1.00
2	22933402	BELT COVER A		*		1.00
3	22933501	BELT COVER A CAP		*		1.00
4	22933659	BELT COVER B COMPL.		*		1.00
5	22933600	BELT COVER B		*		1.00
6	22933758	BELT COVER B LID ASM.		*		1.00
7	22933907	BELT COVER STRUT		*		1.00
8	22934004	SET SCREW		*		2.00
9	SS4121415SP	SCREW 3/16-28 L=14		*		1.00
10	WP0501016SD	WASHER 5X10.5X1		*		1.00
11	SK3412000SC	WOOD SCREW D=4.1 L=20		*		2.00
12	WP0450826SC	WASHER 4.5X10X0.8		*		2.00
13	22927354	BOBBIN WINDER COMPL.				1.00
14	22928501	THREAD TENSION POST BASE		*		1.00
15	SS4110515SP	SCREW 11/64-40 L=5		*		1.00
16	22928907	THREAD TENSION DISK		*		2.00
17	22929004	THREAD TENSION SPRING		*		1.00
18	22928808	NUT		*		1.00
19	SS7110350SP	SCREW 11/64-40 L=3.5		*		1.00
20	22928402	CONTROL RUBBER HOLDING PLATE		*		1.00
21	22928303	CONTROL RUBBER		*		1.00
22	22928105	BOBBIN PRESSER		*		1.00
23	SD0490261SP	HINGE SCREW D=4.9 H=2.6		*		1.00
24	SS7081310SP	SCREW 1/8-44 L=12.5		*		1.00
25	SS8110510SP	SCREW 11/64-40 L=5		*		1.00
26	22928709	THREAD TENSION POST		*		1.00
27	22927305	BOBBIN WINDER BASE		*		1.00
28	22927404	BOBBIN WINDER		*		1.00
29	22927602	BOBBIN WINDER SPINDLE		*		1.00
30	SK3412000SC	WOOD SCREW D=4.1 L=20				2.00
31	WP0450826SC	WASHER 4.5X10X0.8				2.00

THREAD STAND COMPONENTS



No.	品番	品名	備考	子部品	消耗品	個数
1	40096354	THREAD STAND ASM.				1.00
2	40085784	SPOOL REST ROD LOWER		*		1.00
3	40085785	SPOOL REST ROD UPPER		*		1.00
4	40085786	SPOOL REST ARM LOWER		*		1.00
5	40085787	SPOOL REST ARM UPPER		*		1.00
6	40085788	SPOOL REST		*		2.00
7	40085789	SPOOL REST CUSHION		*		2.00
8	40085790	SPOOL PIN		*		2.00
9	40085791	SPOOL RETAINER		*		2.00
10	40085792	SPOOL REST ROD JOINT		*		1.00
11	40085793	SPOOL REST ROD RUBBER CAP		*		1.00
12	40085794	THREAD GUIDE		*		2.00
13	40085795	THREAD GUIDE BUSHING		*		2.00
14	40096325	SPOOL REST ROD NUT		*		1.00
15	WP1612616SE	WASHER 16X30X2.6		*		2.00
16	40085796	SPOOL REST ROD RUBBER CUSHION		*		2.00
17	40096326	SPOOL REST ARM LOWER SCREW		*		1.00
18	NM6050001SE	NUT M5		*		2.00
19	40096327	SPOOL REST ARM UPPER SCREW		*		1.00
20	NM6050001SE	NUT M5		*		2.00
21	WS0510002KN	SPRING WASHER M5		*		2.00
22	WP0531001SC	WASHER M5		*		2.00
23	SM4051405SE	SCREW M5 L=14		*		2.00
24	NM6050001SE	NUT M5		*		2.00

EXCLUSIVE PARTS



No.	品番	品名	備考	子部品	消耗品	個数
1	40103560	LINK_THREAD_TAKE-UP_LENER-H_ASM.				1.00
2	11091600	NEEDLE BAR CRANK H		*		1.00
3	40102621	PRESSER FOOT ASM.				1.00
4	22970206	NEEDLE BAR				1.00
5	B1505552000A	PRESSER SPRING				1.00
6	22962054	THREAD TENSION ASM.				1.00
7	MDB100B2100	NEEDLE DBX1 #21				1.00
8	22970602	FEED SPRING HOOK				1.00
9	40080725	ADJUSTING LINK SPRING				1.00
10	22970313	NEEDLE SHAFT BUSHING				1.00
11	40023223	NEEDLE BAR THREAD GUIDE				1.00
12	11091709	POSITIONING FINGER				1.00
13	B1109555H0B	THROAT PLATE (H)				1.00
14	B1613555H00	FEED DOG (H)				1.00
15	B1213552000A	OIL ADJUSTING PIN				1.00
16	11092459	LUBRICATING BOBBIN ASM.				1.00
17	SS6080320SP	SCREW 1/8-44 L= 2.5				1.00
18	11091006	ARM THREAD GUIDE (HA)				1.00
19	22971204	FEED REGULATOR BASE PIN				1.00

HOW TO MAKE USE OF THIS PARTS LIST

1.Explanation of codes

1)"*"mark.....means this part is changed from the previous parts book.

As to the details of the change, refer to the "List for information of change".

2)"#01".....refer to "Note" explanation at bottom of page.

2.Codes on the "Qty" column

· Each numeral indicates the number of parts required.

· "0.1" and "2.5" indicate the length (in meters) of the respective parts.

3.Parentheses mean that the corresponding part is a subpart that constructs an assembly part.

4.Dotted lines on the Figures indicate assembly parts.

5.As to the parts with marks of "☆"(consumable parts) and "◎"(optional parts)on the respective parts, it is recommended to prepare spares.

1 ."注記"欄の記号説明

1) "*"印.....前回のパーツブックに比較して今回変更された部品を意味します。

変更内容は、"変更情報リスト"を参照してください。

2) "#01".....ページ下の"注記"の説明を参照してください。

2.数量欄の数字は、個数を表し、0.1、2.5等の数値は、長さ（単位メートル）を表します。

3.数量欄の（ ）は、組部品を構成している子部品であることを意味します。

4.イラストページの-----枠は、組構成であることを意味します。

5.リストページの"☆"（消耗部品）、"◎"（オプション部品）の印がついた部品は、予備を準備しておくことをお奨めします。