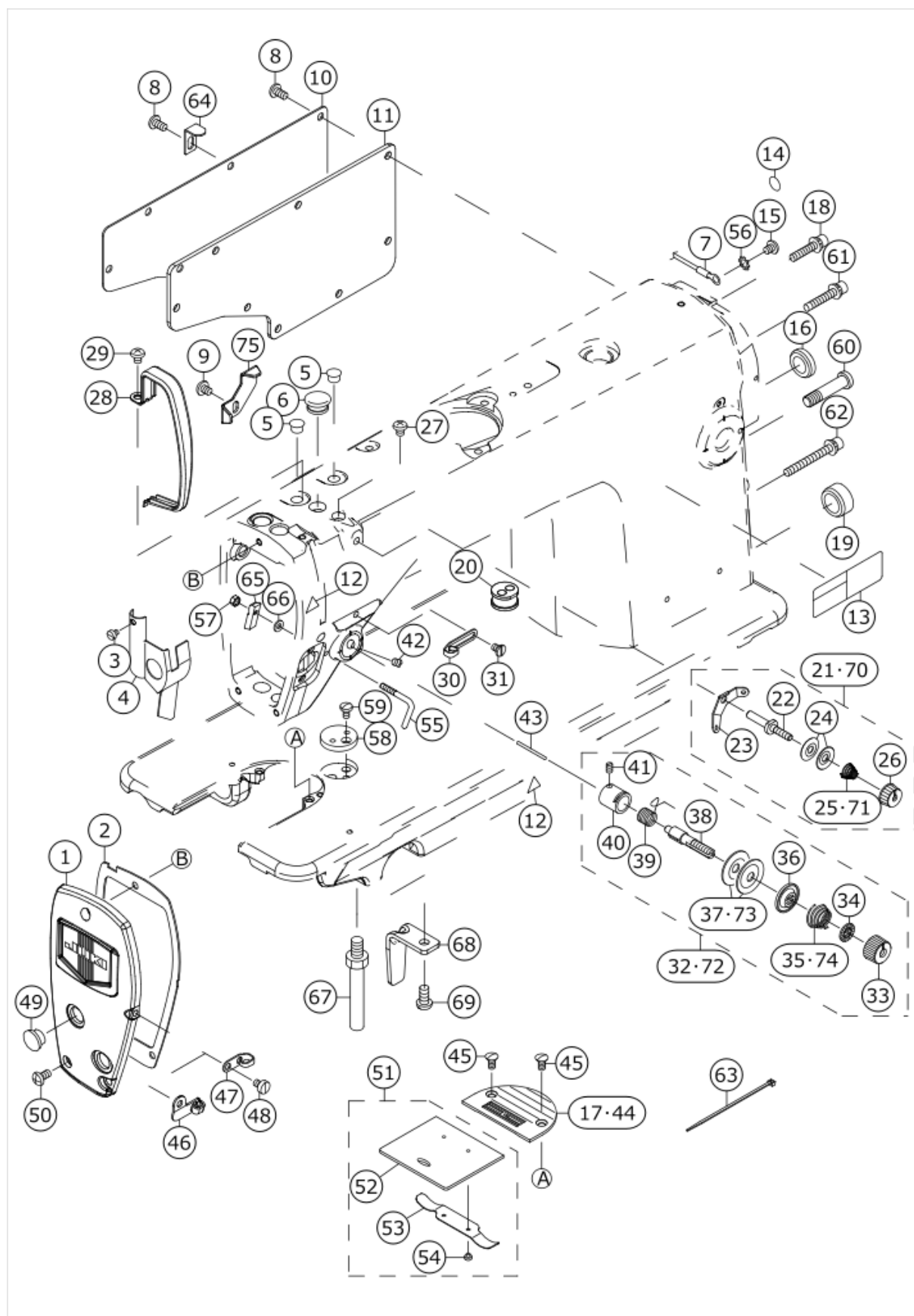


DDL-7000A-7

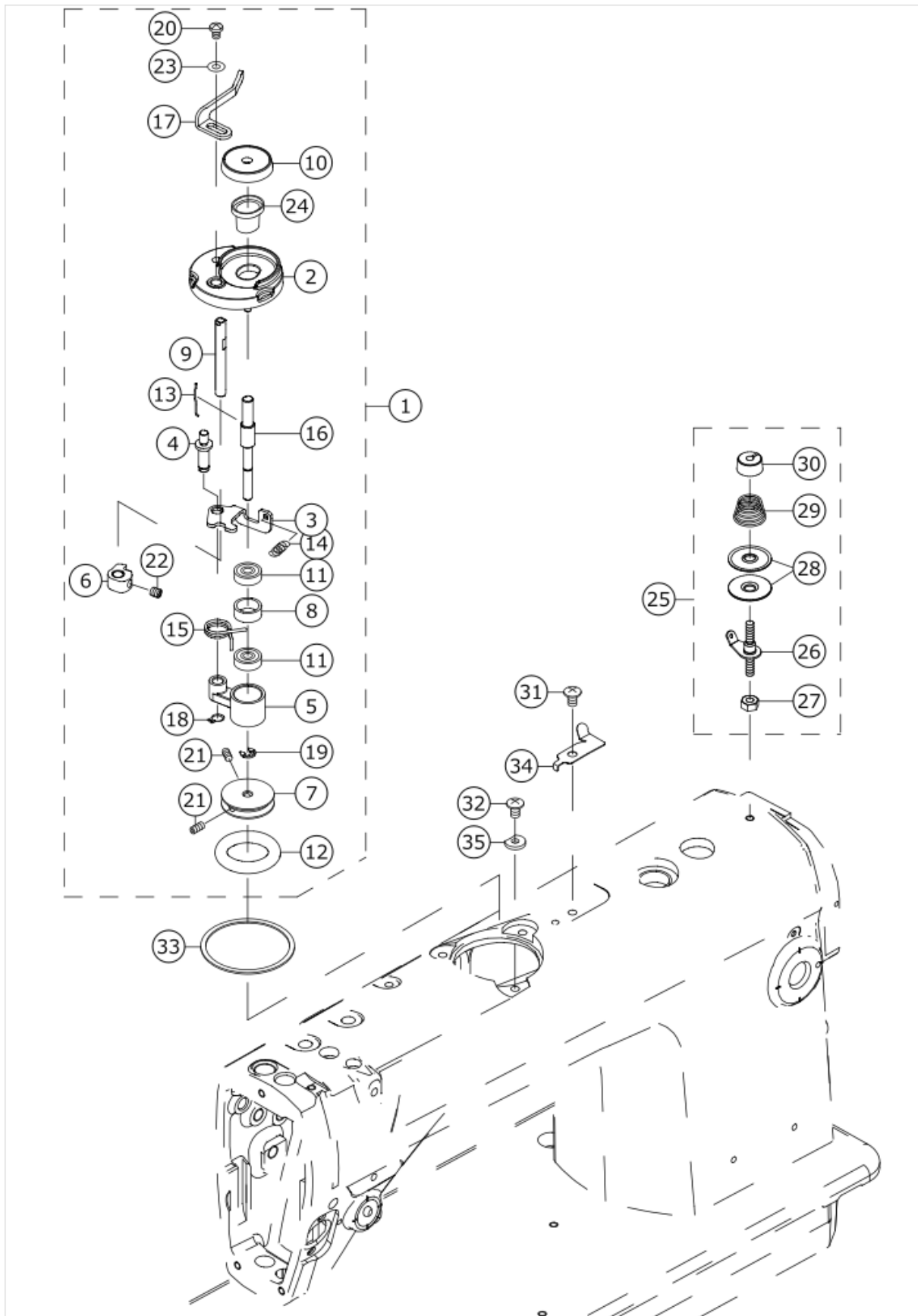
MACHINE FRAME & MISCELLANEOUS COVER COMPONENTS



No.	品番	品名	備考	子部品	消耗品	個数
1	40225175	FACE_PLATE_ASM.				1.00
2	40012126	FACE_PLATE_PACKING				1.00
3	SS6080320SP	SCREW_1/8-44_L=2.5				1.00
4	22900757	FACE_PLATE_OIL_SHIELD_ASM.				1.00
5	TA0850604R0	RUBBER_PLUG				2.00
6	TA1250705R0	RUBBER_PLUG				1.00
7	40112907	GROUND_WIRE_ASM.				1.00
8	SS4120925SP	SCREW_3/16-28_L=9				8.00
9	SS4120615SP	SCREW 3/16-28 L=6				1.00
10	40227635	WINDOW_PLATE				1.00
11	40012129	SIDE_PLATE_PACKING				1.00
12	CM300200001	ATTENTION_SEAL				2.00
13	40102261	SAFETY_LABEL_S				1.00
14	22901805	GROUND_MARK				1.00
15	SS4120615SP	SCREW_3/16-28_L=6				1.00
16	TA2000502R0	RUBBER_PLUG				1.00
17	11400801	THROAT_PLATE_J	TYPE H			1.00
18	SL6052592TN	BOLT				1.00
19	TA2101002R0	RUBBER_PLUG				1.00
20	40111022	MAGNET_CORD_RUBBER				1.00
21	22945463	THREAD_TENSION_ASM.	TYPE S			1.00
22	22945414	THREAD_TENSION_POST		*		1.00
23	22945604	THREAD_TENSION_GUIDE		*		1.00
24	22945802	THREAD_TENSION_DISK		*		2.00
25	22945505	THREAD_TENSION_SPRING	TYPE S	*		1.00
26	22945703	THREAD_TENSION_NUT		*		1.00
27	SS4120615SP	SCREW_3/16-28_L=6				1.00
28	40225185	THREAD_TAKE-UP_LEVER_COVER				1.00
29	SS4120615SP	SCREW_3/16-28_L=6				1.00
30	11091006	ARM_THREAD_GUIDE_(HA)				1.00
31	22921001	SCREW				1.00
32	40126850	THREAD_TENSION_ASM.	TYPE S			1.00
33	22921308	THREAD_TENSION_NUT		*		1.00
34	22921407	ROTATION_STOPPER		*		1.00
35	40112420	THREAD_TENSION_SPRING_M	TYPE S	*		1.00
36	22921803	DISK_STOPPER		*		1.00
37	13138201	THREAD_TENSION_DISK	TYPE S	*		2.00
38	22921209	THREAD_TENSION_POST		*		1.00
39	22921605	THREAD TAKE-UP SPRING		*		1.00
40	22945307	THREAD_TENSION_POST_BASE		*		1.00
41	SS8090670SP	SCREW_9/64-40_L=5.5		*		1.00
42	SS8150710TP	SCREW_15/64-28_L=7				1.00
43	22920904	TENSION_RELEASING				1.00
44	B1109552000	THROAT_PLATE				1.00
45	SS2110920TP	SCREW 11/64-40 L=8.5				2.00
46	40187311	ARM_THREAD_GUIDE_B	TYPE NB			1.00
47	22920607	ARM_THREAD_GUIDE_B	TYPE 0B			1.00
48	SS6110610TP	SCREW_11/64-40_L=6				1.00
49	TA1250406R0	RUBBER_PLUG_D=12.5_L=4				2.00
50	SS4120925SP	SCREW_3/16-28_L=9				3.00

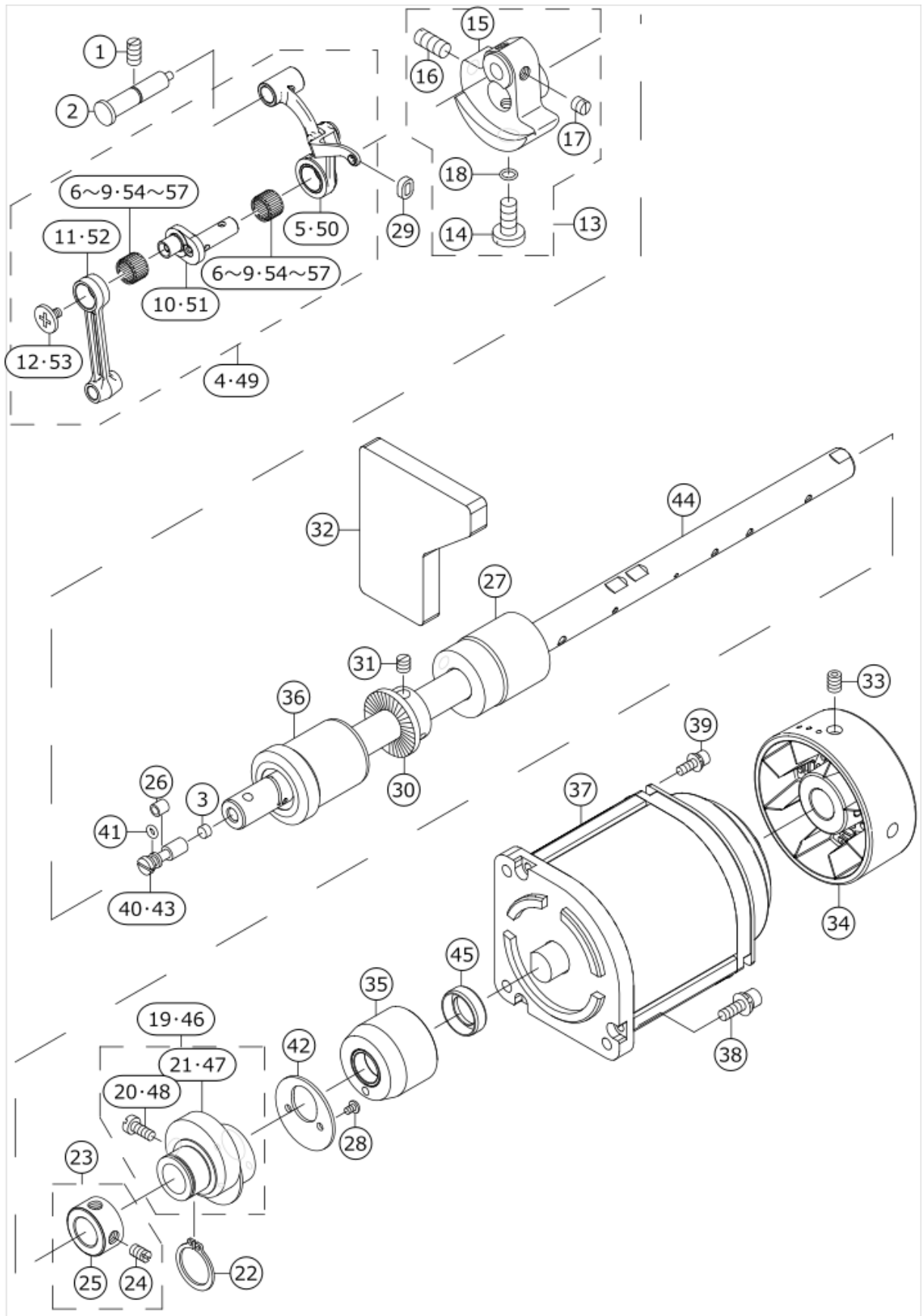
51	22901250	SLIDE_PLATE_ASM.				1.00
52	22901201	SLIDE_PLATE		*		1.00
53	22901300	SLIDE_PLATE_SPRING		*		1.00
54	SS6060210SP	SCREW_3/32-56_L=1.9		*		2.00
55	40187738	ARM_THREAD_GUIDE	TYPE H			1.00
56	WT0530002KS	TOOTHED_WASHER_D=5.3				1.00
57	NS6090310SP	NUT_9/64-40	TYPE H			1.00
58	40099083	RULER_STOP_SEAT				1.00
59	SS7110720SP	SCREW_11/64-40_L=7				2.00
60	40126305	SCREW_5/16-24_L=35				1.00
61	SL6053092TN	SCREW				1.00
62	SL6054592TN	SCREW				1.00
63	EA9500B0100	CABLE_BAND				1.00
64	40126308	CORD_CLAMP				1.00
65	11403805	THREAD_GUIDE_C_FITTING_PLATE	TYPE H(FOR 0B)			1.00
66	WP0371016SD	WASHER_3.7X8X1	TYPE H(FOR 0B)			1.00
67	22901003	BED_SCREW_STUD	TYPE H(FOR 0B)			3.00
68	40226788	BED_STUD_R				1.00
69	SS4151215SP	SCREW_15/64-28_L=12				1.00
70	22963458	THREAD_TENSION_ASM.	TYPE H			1.00
71	22963409	THREAD_TENSION_SPRING	TYPE H	*		1.00
72	22962054	THREAD_TENSION_ASM.	TYPE H			1.00
73	22921506	THREAD_TENSION_DISK	TYPE H	*		2.00
74	22962005	THREAD_TENSION_SPRING	TYPE H	*		1.00
75	40111896	CORD_CLAMP				1.00

BOBBIN WINDER COMPONENTS



No.	品番	品名	備考	子部品	消耗品	個数
1	40218885	BOBBIN_WINDER_UNIT				1.00
2	40189600	BTW_BASE		*		1.00
3	26260208	BTW_CAM_PLATE		*		1.00
4	26260307	BTW_BASE_SHAFT		*		1.00
5	40142773	BTW_SHAFT_BASE		*		1.00
6	26260505	BTW_CAM_LEVER		*		1.00
7	26260604	BTW_WHEEL		*		1.00
8	26260802	BTW_BEARING_SPACER		*		1.00
9	26261008	BTW_LEVER_SHAFT		*		1.00
10	26261206	BTW_SPACER		*		1.00
11	26261305	BTW_BEARING		*		2.00
12	26261503	BTW_WHEEL_RUBBER		*		1.00
13	26261602	BOBBIN_SPRING		*		1.00
14	26261701	BTW_SPRING		*		1.00
15	40011144	BTW_TORSION_SPRING		*		1.00
16	40110975	BTW_SHAFT		*		1.00
17	40021933	BTW_LEVER		*		1.00
18	RC0560711KP	RETAINING_RING		*		1.00
19	RE0400000K0	E-RING_4		*		1.00
20	SM5040655SN	SCREW		*		1.00
21	SM8040802TP	SCREW_M4X8		*		2.00
22	SM8050502TP	SCREW_M5_L=5		*		1.00
23	WP0450826SC	WASHER_4.5X10X0.8		*		1.00
24	40119475	OIL_GUARD		*		1.00
25	40110731	BOBBIN_THREAD_TENSION_ASSY				1.00
26	40110734	BOBBIN_THREAD_ROD_ASSY		*		1.00
27	NS6120630SP	NUT_3/16-28		*		1.00
28	22921506	THREAD_TENSION_DISK		*		2.00
29	D7133555B00	CONNECTING_ROD_SPRING		*		1.00
30	22945703	THREAD_TENSION_NUT		*		1.00
31	SM0050801SC	SCREW				1.00
32	SM0050801SC	SCREW				3.00
33	40163521	PACKING				1.00
34	40037008	THREAD_CUTTER				1.00
35	40113241	BTW_SPACER				1.00

MAIN SHAFT & THREAD TAKE-UP LEVER COMPONENTS

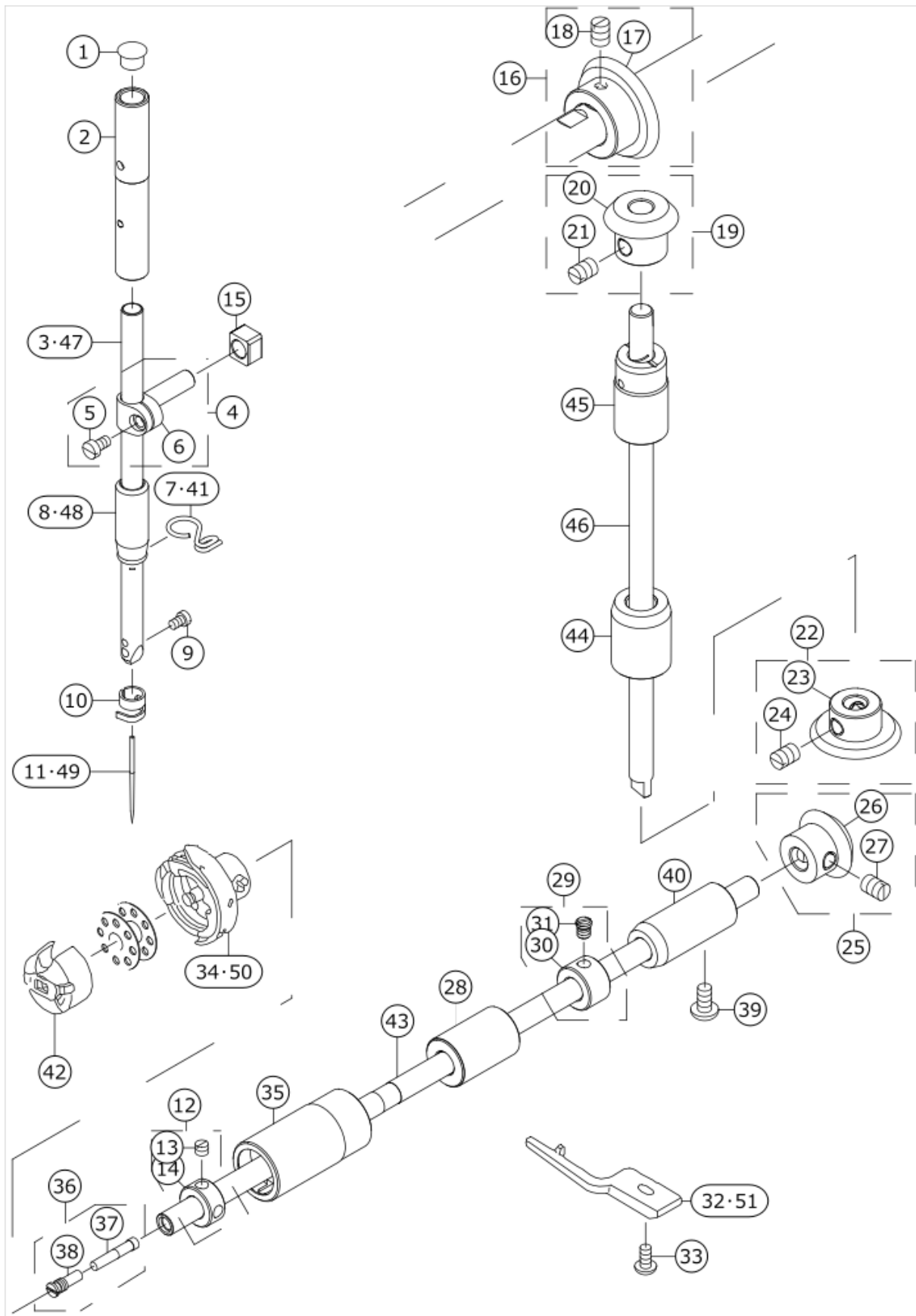


No.	品番	品名	備考	子部品	消耗品	個数
1	SS8151150TP	SCREW_15/64-28_L=10.5				1.00
2	40106138	THREAD_TAKE-UP_CRANK_SHAFT_ASM.				1.00
3	11002904	ROLLER_FELT				1.00
4	22918072	THREAD_TAKE-UP_LEVER_ASM.	TYPE S			1.00
5	22918064	THREAD_TAKE-UP_LEVER_ASM.	TYPE S	*		1.00
6	22918403	NEEDLE_BEARING_A	SELECTIVE PARTS(TYPE S)	*		2.00
7	22918502	NEEDLE_BEARING_B	SELECTIVE PARTS(TYPE S)	*		2.00
8	22918601	NEEDLE_BEARING_C	SELECTIVE PARTS(TYPE S)	*		2.00
9	22918700	NEEDLE_BEARING_D	SELECTIVE PARTS(TYPE S)	*		2.00
10	22918106	NEEDLE_BAR_CRANK	TYPE S	*		1.00
11	22906606	NEEDLE_BAR_CRANK_ROD	TYPE S	*		1.00
12	22918304	LEFT_SCREW	TYPE S	*		1.00
13	40110390	COUNTER_WEIGHT_ASM.				1.00
14	SS7681650TP	SCREW_9/32-28_L=16		*		1.00
15	40110376	COUNTER_WEIGHT		*		1.00
16	SS8681650TP	SCREW_9/32-28_L=16		*		1.00
17	SS8660610TP	SCREW_1/4-40_L=6		*		2.00
18	RO044240100	RUBBER_RING		*		1.00
19	22910053	FEED_DRIVE_ECCENTRIC_CAM_ASM.	TYPE S			1.00
20	SS6661110SP	SCREW_1/4-40_L=11	TYPE S	*		2.00
21	22910004	FEED_DRIVE_ECCENTRIC_CAM	TYPE S	*		1.00
22	RC1850001KP	SNAP_RING_18.5				1.00
23	40137502	THRUST_COLLAR_ASM.				1.00
24	SS8660610TP	SCREW_1/4-40_L=6		*		2.00
25	40137503	MAIN_SHAFT_THRUST_COLLAR		*		1.00
26	B1215552000	OIL_ADJUSTING_COLLAR				1.00
27	22903306	BUSHING_INTERMEDIATE				1.00
28	SS4090615SP	SCREW_9/64-40_L=6				2.00
29	22919203	OIL_PROTECTING_RUBBER				1.00
30	22538805	DRIVING_WHEEL				1.00
31	SS8660610TP	SCREW_1/4-40_L=6				2.00
32	40111424	FILTER				1.00
33	SM80608A2TP	SCREW_M6_L=8				2.00
34	40227630	HAND_PULLY				1.00
35	40225291	MAIN_SHAFT_BUSHING_REAR				1.00
36	22903207	MAIN_SHAFT_BUSHING_FRONT				1.00
37	40222686	AC_SERVO_MOTOR				1.00
38	SL6051692TN	BOLT				3.00
39	SL6041242TN	BOLT				3.00
40	B1213552000A	OIL_ADJUSTING_PIN	TYPE H			1.00
41	RO029180100	RUBBER_RING				1.00
42	22910103	THRUST_COLLAR				1.00
43	22903900	ADJUSTING_PIN	TYPE S			1.00
44	40222701	MAIN_SHAFT				1.00
45	40139216	OIL_SEAL				1.00
46	22970552	FEED_ECCENTRIC_CAM_ASM.	TYPE H			1.00

47	22970503	FEED_ECCENTRIC_CAM_L	TYPE H	*		1.00
48	22972806	FEED_ECCENTRIC_CAM_SETSCREW	TYPE H	*		2.00
49	40227636	LINK_THREAD_TAKEUP_LEVER_J_COM	TYPE H			1.00
50	22918064	THREAD TAKE-UP LEVER ASM.	TYPE H	*		1.00
51	40227637	NEEDLE_BAR_CRANK_J	TYPE H	*		1.00
52	22906606	NEEDLE BAR CRANK ROD	TYPE H	*		1.00
53	22918304	LEFT SCREW	TYPE H	*		1.00
54	22918403	NEEDLE BEARING A	SELECTIVE PARTS(TYPE H)	*		2.00
55	22918502	NEEDLE BEARING B	SELECTIVE PARTS(TYPE H)	*		2.00
56	22918601	NEEDLE BEARING C	SELECTIVE PARTS(TYPE H)	*		2.00
57	22918700	NEEDLE BEARING D	SELECTIVE PARTS(TYPE H)	*		2.00

NEEDLE BAR, UPRIGHT SHAFT & HOOK DRIVING SHAFT COMPONENTS

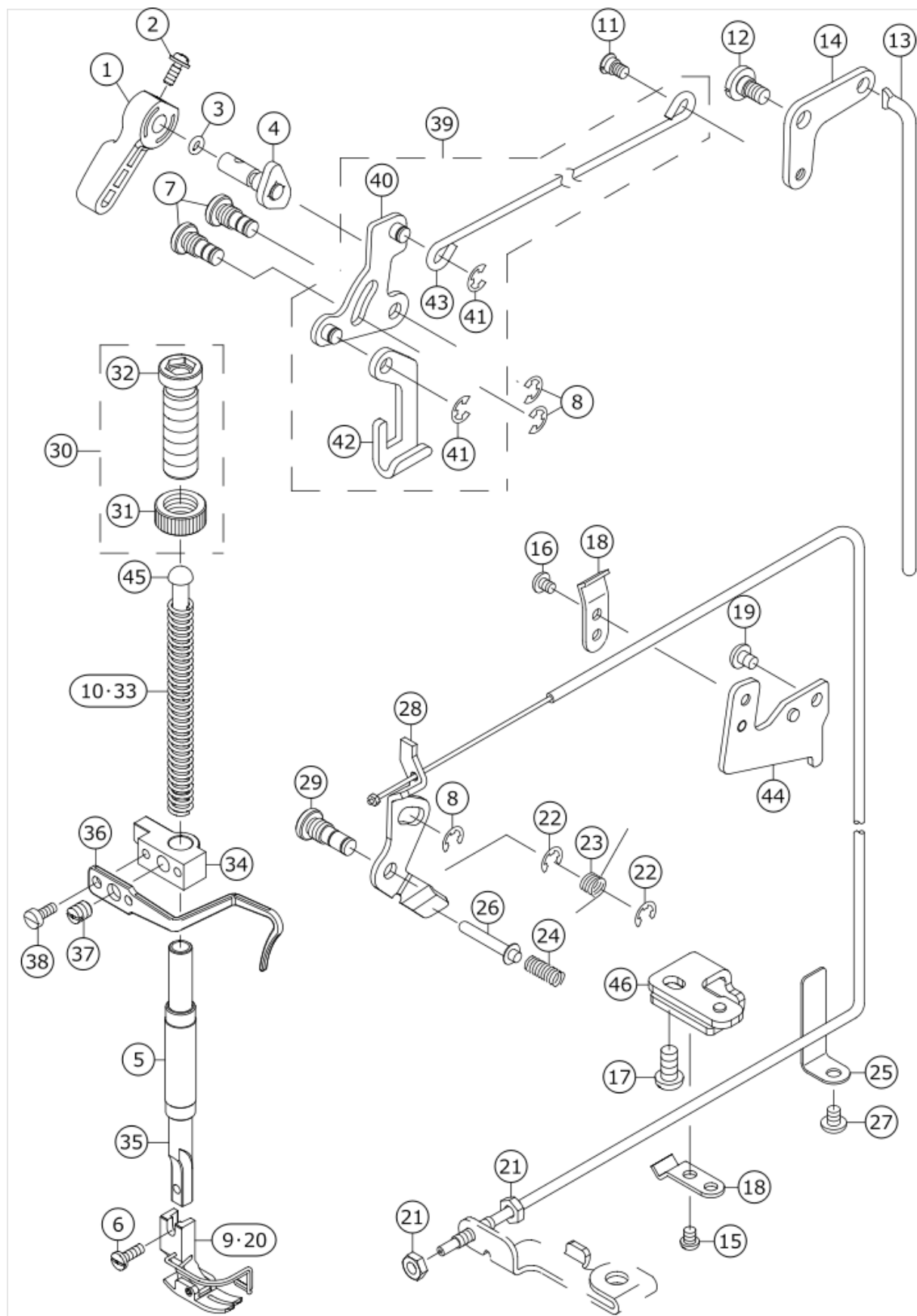
TS



No.	品番	品名	備考	子部品	消耗品	個数
1	TA0850604R0	RUBBER_PLUG				1.00
2	22906101	NEEDLE_BAR_BUSHING_UPPER				1.00
3	22939508	NEEDLE_BAR	TYPE S			1.00
4	22906457	NEEDLE_BAR HOLDER_ASM.				1.00
5	SS6090670TP	SCREW_9/64-40_L=6		*		1.00
6	22906408	NEEDLE_ROD HOLDER		*		1.00
7	40023223	NEEDLE_BAR_THREAD_GUIDE	TYPE H			1.00
8	22906200	NEEDLE_BAR_BUSHING_LOWER	TYPE S			1.00
9	SS7080510TP	SCREW 1/8-44 L=4.5				1.00
10	22970404	NEEDLE_BAR_THREAD_HOOK				1.00
11	MDB100B1400	NEEDLE_DBX1_#14	TYPE S			1.00
12	22917058	THRUST_COLLAR_ASM.FRONT				1.00
13	SS8110410TP	SCREW_11/64-40_L=3.5		*		2.00
14	22917009	THRUST_COLLAR_FRONT		*		1.00
15	40090058	SLIDE_BLOCK				1.00
16	40090002	UPPER_LARGE_BEVEL_GEAR_ASM.				1.00
17	40090006	UPPER_LARGE_BEVEL_GEAR		*		1.00
18	SS8660810TP	SCREW_1/4-40_L=8		*		2.00
19	40090003	UPPER_SMALL_BEVEL_GEAR_ASM.				1.00
20	40090007	UPPER_SMALL_BEVEL_GEAR		*		1.00
21	SS8660810TP	SCREW_1/4-40_L=8		*		2.00
22	40090004	LOWER_LARGE_BEVEL_GEAR_ASM.				1.00
23	40090008	LOWER_LARGE_BEVEL_GEAR		*		1.00
24	SS8660810TP	SCREW_1/4-40_L=8		*		2.00
25	40090005	LOWER_SMALL_BEVEL_GEAR_ASM.				1.00
26	40090009	LOWER_SMALL_BEVEL_GEAR		*		1.00
27	SS8660810TP	SCREW_1/4-40_L=8		*		2.00
28	40226893	HOOK_SHAFT_REAR_METAL				1.00
29	40136014	THRUST_COLLAR_ASM.				1.00
30	40136013	HOOK_DRIVING_SHAFT_THRUST_COLLAR		*		1.00
31	SS6110420TP	SCREW_11/64-40_L=4.8		*		2.00
32	22916407	BOBBIN_CASE_POSITIONING_FINGER				1.00
33	SS6111210SP	SCREW_11/64-40_L=12				1.00
34	40153440	HOOK_ASM.	TYPE S			1.00
35	40127177	HOOK_DRIVING_SHAFT_F				1.00
36	22916555	OIL_SEAL_SCREW_ASM.				1.00
37	11015906	OIL WICK		*		1.00
38	22916506	SET_SCREW		*		1.00
39	SS4120915SP	SCREW_3/16-28_L=9				1.00
40	22916308	HOOK_DRIVING_SHAFT_BUSH_REAR				1.00
41	40141522	NEEDLE_BAR_THREAD_GUIDE	TYPE S			1.00
42	40211519	BOBBIN_CASE_ASM.				1.00
43	40127192	HOOK_DRIVING_SHAFT				1.00
44	22905202	UPRIGHT_SHAFT_BUSHING_LOWER				1.00
45	22905103	UPRIGHT_SHAFT_BUSHING_UPPER				1.00
46	22905004	UPRIGHT_SHAFT				1.00
47	22970206	NEEDLE_BAR	TYPE H			1.00
48	40171515	NEEDL_BAR_BUSHING	TYPE H			1.00
49	MDP500B2100	NEEDLE_DPX5_#21	TYPE H			1.00
50	40035058	HOOK_ASM.	TYPE H			1.00

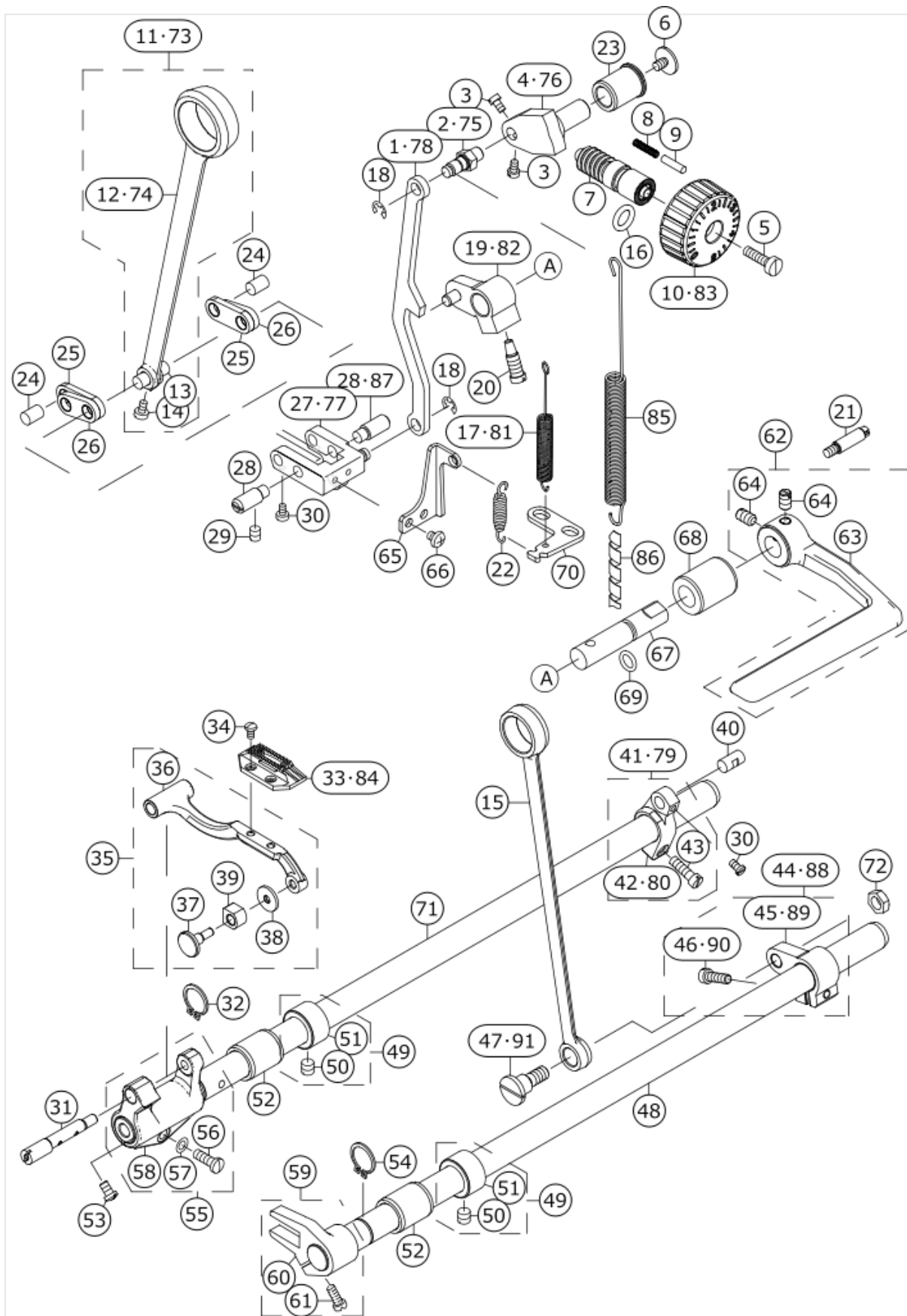
51	22962401	POSITIONING FINGER H	TYPE H			1.00
----	----------	----------------------	--------	--	--	------

HAND LIFTER COMPONENTS



No.	品番	品名	備考	子部品	消耗品	個数
1	22907802	HAND_LIFTER				1.00
2	B1521555000	SCREW				1.00
3	RO037180100	RUBBER_RING				1.00
4	22908552	HAND_LIFTER_CAM_ASM.				1.00
5	40060989	PRESSER_BAR_BUSHING_LOWER				1.00
6	SS7091110TP	SCREW 9/64-40 L=10.5				1.00
7	22908701	LINK_SHAFT				2.00
8	RE0500000K0	E-RING				3.00
9	B15240120BA	PRESSER_FOOT_ASM.	TYPE 0B,NB			1.00
10	B1505552000A	PRESSER_SPRING	TYPE H			1.00
11	22908909	HINGE_SCREW				1.00
12	SD0720331SP	HINGE_SCREW_D=7.24_H=3.3				1.00
13	22909006	KNEE_LIFTER_CONNECTING_ROD				1.00
14	22908800	KNEE_LIFTER_LINK				1.00
15	SS4110515SP	SCREW_11/64-40_L=5				1.00
16	SS4110515SP	SCREW_11/64-40_L=5				1.00
17	SS4150915SP	SCREW_15/64-28_L=9				1.00
18	22944508	WIRE_PRESSER_A				2.00
19	SS4120615SP	SCREW_3/16-28_L=6				1.00
20	D1524555EBL	PRESSER_FOOT_ASM.	TYPE H			1.00
21	NS6620310SP	NUT_3/16-32				2.00
22	RE0500000K0	E-RING				2.00
23	22920201	RETURN_SPRING				1.00
24	22920409	THREAD_RELEASE_PIN_SPRING				1.00
25	22945109	WIRE_CABLE_SUPPORT				1.00
26	22920300	THREAD_RELEASE_SUPPORTING_PIN				1.00
27	SS4120615SP	SCREW_3/16-28_L=6				1.00
28	40132068	THREAD_RELEASE_WIRE_ASM.				1.00
29	22920102	TENSION_RELEASE_SHAFT				1.00
30	22907554	PRESSER_SPRING_REGULATOR_ASM.				1.00
31	22907604	PRESSER_SPRING_REGULATOR_NUT		*		1.00
32	22907505	PRESSER_SPRING_REGULATOR		*		1.00
33	22907406	PRESSER_SPRING	TYPE 0B,NB			1.00
34	40098388	PRESSER_BAR_GUIDE_BRACKET				1.00
35	40017805	PRESSER_BAR				1.00
36	22907307	THREAD_GUIDE	TYPE 0B			1.00
37	SS8660810TP	SCREW_1/4-40_L=8				1.00
38	SS6090910SP	SCREW_9/64-40_L=9	TYPE 0B			2.00
39	22908354	KNEE_LIFTING_CROSS_ROD_ASM.				1.00
40	22908156	LIFTING_LINK_ASM.		*		1.00
41	RE0500000K0	E-RING		*		2.00
42	22908008	LIFTING_PLATE		*		1.00
43	22908305	KNEE_LIFTER_SIDE_ROD		*		1.00
44	40132067	WIRE_PRESSER_BASE				1.00
45	22907703	PRESSER_GUIDE_BAR				1.00
46	40127189	WIRE_PRESSER_SUPPORT				1.00

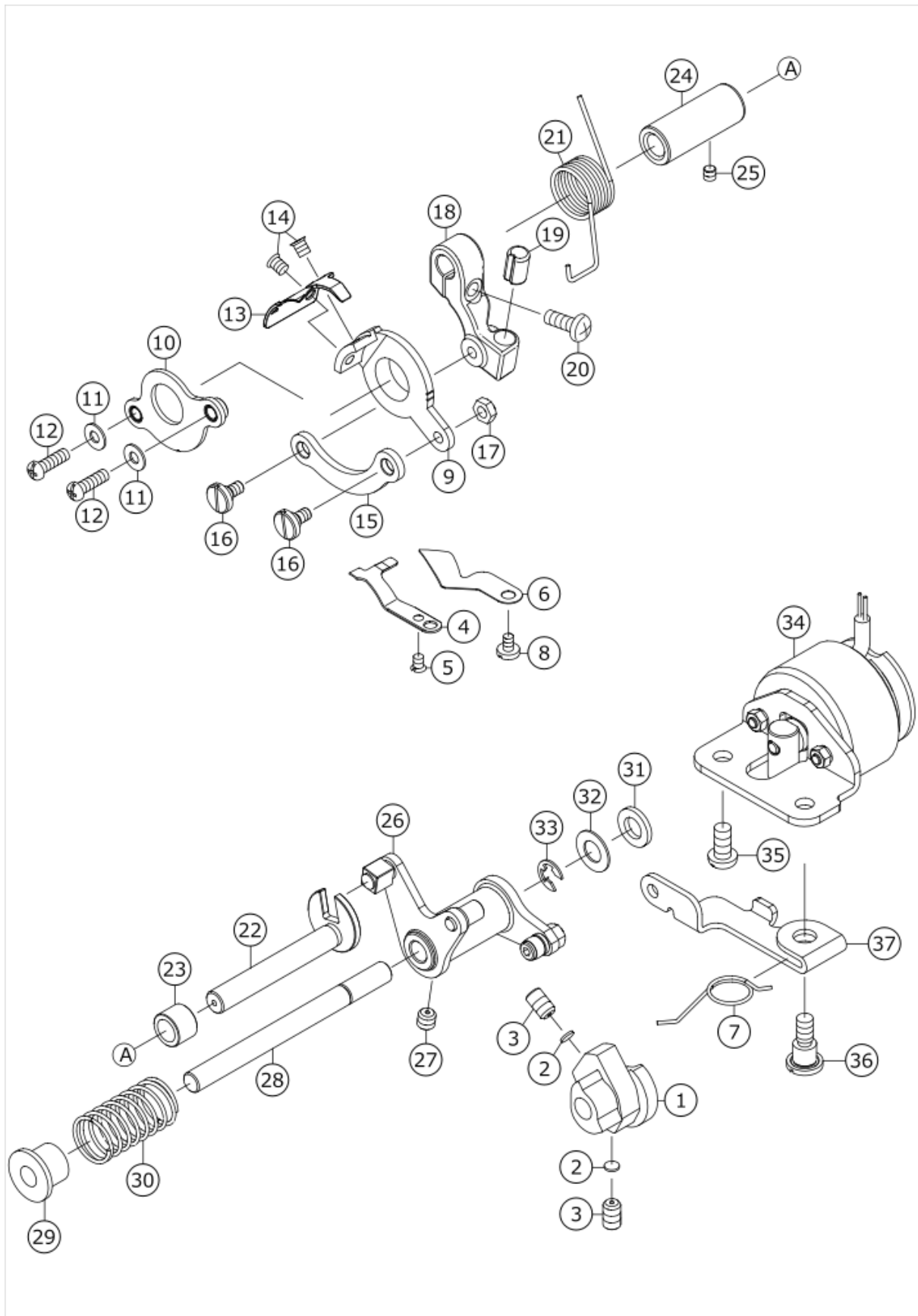
FEED MECHANISM COMPONENTS



No.	品番	品名	備考	子部品	消耗品	個数
1	22941108	FEED_ADJUST_ROD	TYPE S			1.00
2	22911507	WALKING_FOOT_PIN_C	TYPE S			1.00
3	SS6090670TP	SCREW_9/64-40_L=6				2.00
4	22911606	FEED_REGULATOR	TYPE S			1.00
5	SS6121860SP	SCREW_3/16-28_L=18				1.00
6	SS7120770SH	SCREW_3/16-28_L=7				1.00
7	22911804	FEED_REGULATOR_SCREW				1.00
8	22912109	FEED_REGULATOR_PIN_SPRING				1.00
9	22912000	FEED_REGULATOR_PIN				1.00
10	40101726	FEED_DIAL	TYPE S			1.00
11	22910251	CONNECTING_ROD_ASM.	TYPE S			1.00
12	22910202	ROCKER_SHAFT_CONNECTING_ROD	TYPE S	*		1.00
13	22911101	WALKING_FOOT_PIN_C		*		1.00
14	SS6090620TP	SCREW		*		1.00
15	22915003	CONNECTING_ROD				1.00
16	RO092270200	RUBBER_RING				1.00
17	11010311	LEVER_SPRING	TYPE S			1.00
18	RE0500000K0	E-RING				2.00
19	22912257	FEED_REVERSE_ARM_ASM.	TYPE S			1.00
20	22912505	FEED_REVERSE_ARM_SCREW	TYPE S			1.00
21	40115888	LEVER_STOPPER_ASSY				1.00
22	11037405	SPRING	TYPE S			1.00
23	11009800	FEED_REGULATOR_BUSHING				1.00
24	22910905	WALKING_FOOT_PIN_A				2.00
25	40089548	CONNECTING_LINK_B				2.00
26	40093417	CONNECTING_LINK_A				2.00
27	22940951	FEED_ADJUST_LINK_ASM.	TYPE S			1.00
28	22910806	ADJUST_LINK_FULCRUM_SHAFT_A				2.00
29	SS6151220SP	SCREW_15/64-28_L=11.5				2.00
30	SS6090620TP	SCREW				3.00
31	22940803	FEED_BAR_SHAFT				1.00
32	RC0150001KP	RETAINING_RING_13.8				1.00
33	40133950	FEED_DOG_M	TYPE S			1.00
34	SS4080620TP	SCREW_1/8-44_L=6				2.00
35	22940753	FEED_BASER_ASM.				1.00
36	22940704	FEED_BASER		*		1.00
37	B1706555000	VERTICAL_FEED_SQUARE_BLOCK_SHAFT		*		1.00
38	22913503	WASHER		*		1.00
39	22913602	VERTICAL_FEED_SQUARE_BLOCK		*		1.00
40	22911002	WALKING_FOOT_PIN_B				1.00
41	40110379	ASSY_FEED_ROCKER_ARM	TYPE S			1.00
42	40110378	FEED_ROCKER_ARM	TYPE S	*		1.00
43	SS6121610SP	SCREW_3/16-28_L=15.5		*		1.00
44	40109422	FEED_ARM_ASM	TYPE S			1.00
45	40108863	FEED_ARM	TYPE S	*		1.00
46	SS7121610SP	SCREW_3/16-28_L=15.5	TYPE S	*		1.00
47	SD1000801SH	HINGE_SCREW_D=10_H=8	TYPE S			1.00
48	22915201	FEED_DRIVING_SHAFT				1.00
49	40137504	THRUST_COLLAR_ASM				1.00
50	SS8660610TP	SCREW_1/4-40_L=6		*		2.00

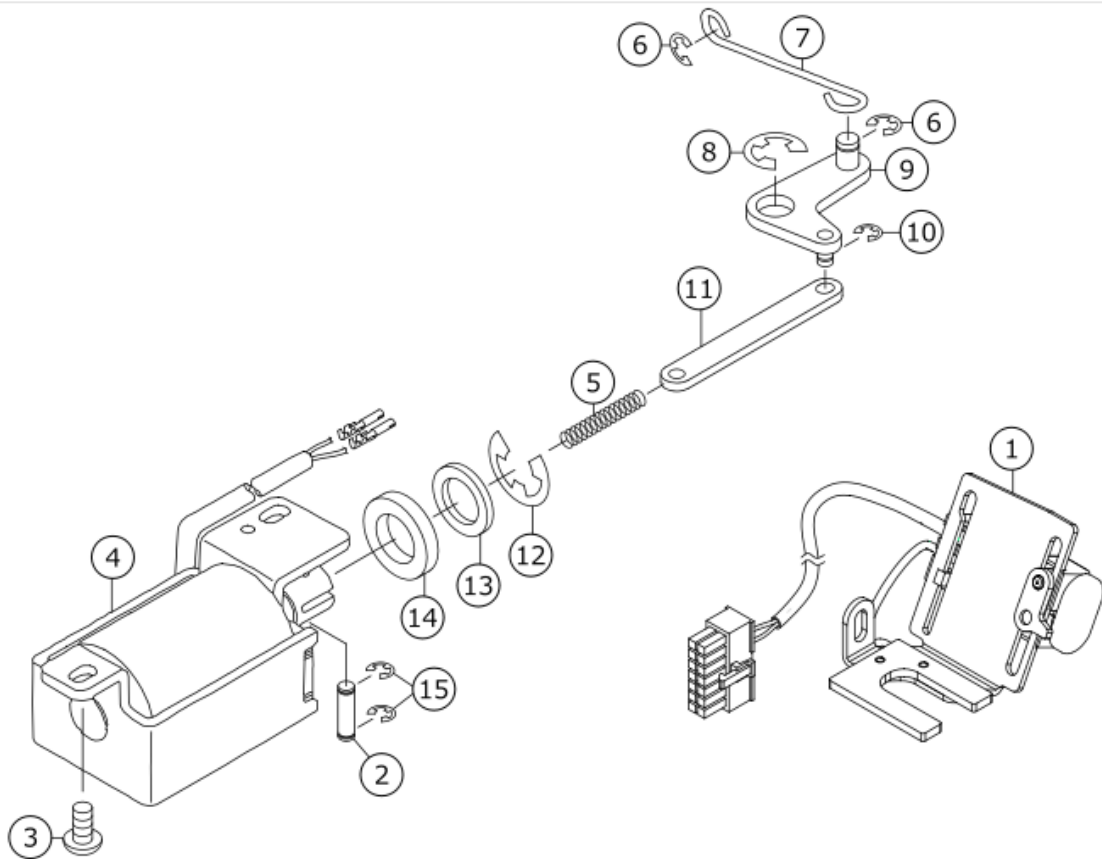
51	40137505	FEED_ROCKER_SHAFT_THRUST_COLLAR		*		1.00
52	22913008	FEED_ROCKER_SHAFT_BUSHING				2.00
53	SS7110740TP	SCREW_11/64-40_L=7				1.00
54	RC0150001KP	RETAINING_RING_13.8				1.00
55	22940654	FEED_ROCKER_ASM.				1.00
56	SS7121410TP	SCREW_3/16-28_L=14		*		1.00
57	WP0480856SP	WASHER_4.8X8.4X0.8		*		1.00
58	22940605	FEED_ARM		*		1.00
59	22915359	DRIVING_SHAFT_CRANK_ASM.				1.00
60	22915300	RIVING_SHAFT_CRANK		*		1.00
61	SS7111120SP	SCREW_11/64-40_L=10.5		*		1.00
62	40225186	FEED_REVER_ASM.				1.00
63	40225187	FEED_LEVER		*		1.00
64	SM8061010TP	SCREW		*		2.00
65	40230589	REGULATOR_SPRING_HOOK_PLATE	TYPE S			1.00
66	SS4110515SP	SCREW_11/64-40_L=5	TYPE S			2.00
67	40100812	FEED_LEVER_SHAFT				1.00
68	22912802	FEED_LEVER_SHAFT_BUSHING				1.00
69	RO078190100	RUBBER_RING				1.00
70	40230521	FEED_SPRING_HOOK_PLATE				1.00
71	40133779	FEED_ROCKER_SHAFT				1.00
72	NS6680410SP	NUT_9/32-28				1.00
73	22970750	HORIZONTAL_FEED_ROD_ASM.	TYPE H			1.00
74	22970701	HORIZONTAL_FEED_ROD	TYPE H	*		1.00
75	22971204	FEED_REGULATOR_BASE_PIN	TYPE H			1.00
76	22971303	FEED_REGULATOR_BASE	TYPE H			1.00
77	40031240	FEED_ADJUST_LINK_ASM.	TYPE H			1.00
78	40039673	FEED_ADJUST_ROD	TYPE H			1.00
79	22970859	HORIZONTAL_FEED_ARM_ASM.	TYPE H			1.00
80	22970800	HORIZONTAL_FEED_AR	TYPE H	*		1.00
81	22971709	FEED_REVERSE_SPRING	TYPE H			1.00
82	22971550	FEED_LEVER_ARM_ASM.	TYPE H			1.00
83	40039674	FEED_DIAL	TYPE H			1.00
84	11403003	FEED_J	TYPE H			1.00
85	40225300	FEED_REGULATOR_SPRING_7H	TYPE H			1.00
86	HX001890000	SPIRAL_TUBE	TYPE H			0.10
87	40010395	ADJUSTING_LINK_FULCRUM_SHAFT_B	TYPE H			1.00
88	22972251	VERTICAL_FEED_ARM_ASM.	TYPE H			1.00
89	22972202	VERTICAL_FEED_ARM	TYPE H	*		1.00
90	SS6121210SP	SCREW_3/16-28_L=12	TYPE H	*		1.00
91	40031249	HINGE_SCREW	TYPE H			1.00

THREAD TRIMMER COMPONENTS



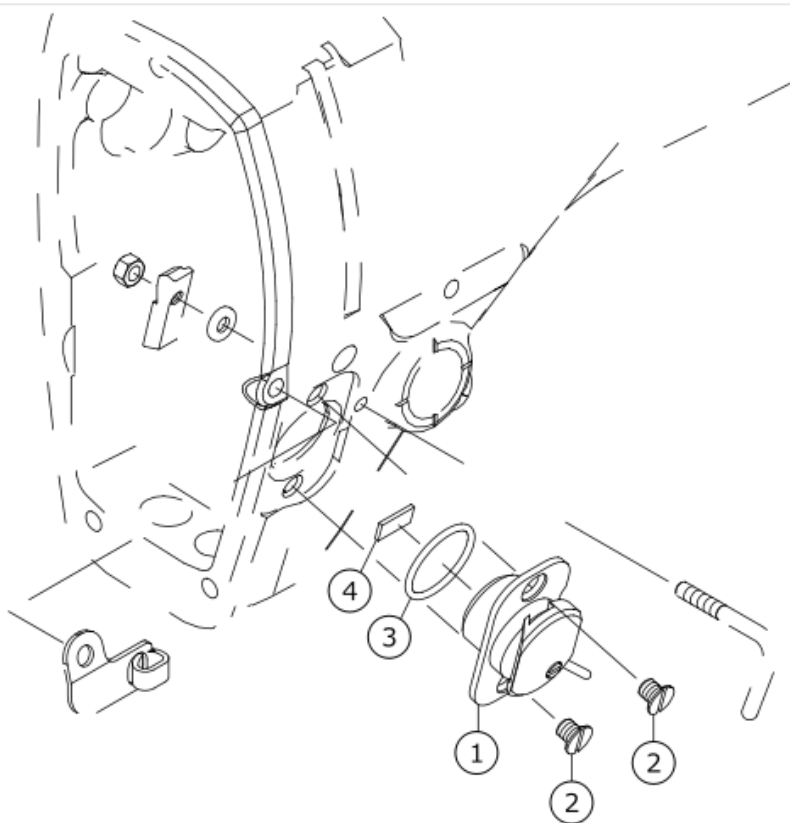
No.	品番	品名	備考	子部品	消耗品	個数
1	40127152	THREAD_TRIMMER_CAM				1.00
2	40127153	SPACER				2.00
3	SS8661012TP	SCREW				2.00
4	40127154	COUNTER_KNIFE				1.00
5	SS1090520TP	SCREW_9/64-40_L=5				1.00
6	40127155	LOWER_THREAD_FINGER				1.00
7	40127190	RETURN_SPRING				1.00
8	SS7090610SP	SCREW_9/64-40_L=6				1.00
9	40127156	MOVING_KNIFE HOLDER				1.00
10	40127157	KNIFE HOLDER_PRESSER_ASSY				1.00
11	WP0450826SC	WASHER_4.5X10X0.8				2.00
12	SS4111415SP	SCREW_11/64-40_L=14				2.00
13	40187740	MOVING_KNIFE				1.00
14	11351806	SCREW				2.00
15	40127161	THREAD_TRIMMER_CONNECTING_ROD				1.00
16	SD0600291TP	HINGE_SCKEW_D=6_H=2.9				2.00
17	NS6110350SP	NUT_11/64-40				1.00
18	40184556	THREAD_TRIMMER_ARM				1.00
19	40127163	LEVER_STOPPER				1.00
20	SS4121415SP	SCREW_3/16-28_L=14				1.00
21	40127164	SPRING				1.00
22	40127165	FORKED_SHAFT				1.00
23	40127166	COLLAR				1.00
24	40127167	FORKED_SHAFT_BUSH				1.00
25	SS8110422TP	SCREW_11/64-40_L=4				1.00
26	40127168	THREAD_TRIMMER_CAM_LEVER_ASSY				1.00
27	SS8660612TP	SCREW_1/4-40_L=6				1.00
28	40127180	THREAD_TRIMMER_CAMLEVER_SHAFT				1.00
29	40127181	COLLAR				1.00
30	40127182	SPRING				1.00
31	40127183	CUSHION				1.00
32	WP0820816SD	WASHER_8.2X16X0.8				1.00
33	RE0600000K0	E-RING_6				1.00
34	40132143	THREAD_TRIMMER_SOLENOID_ASM				1.00
35	SS4151215SP	SCREW_15/64-28_L=12				1.00
36	SD0850751SP	HINGE_SCREW_D=8.50_H=7.5				1.00
37	40127188	THREAD_RELEASE_LEVER				1.00

AUTOMATIC REVERSE FEED COMPONENTS



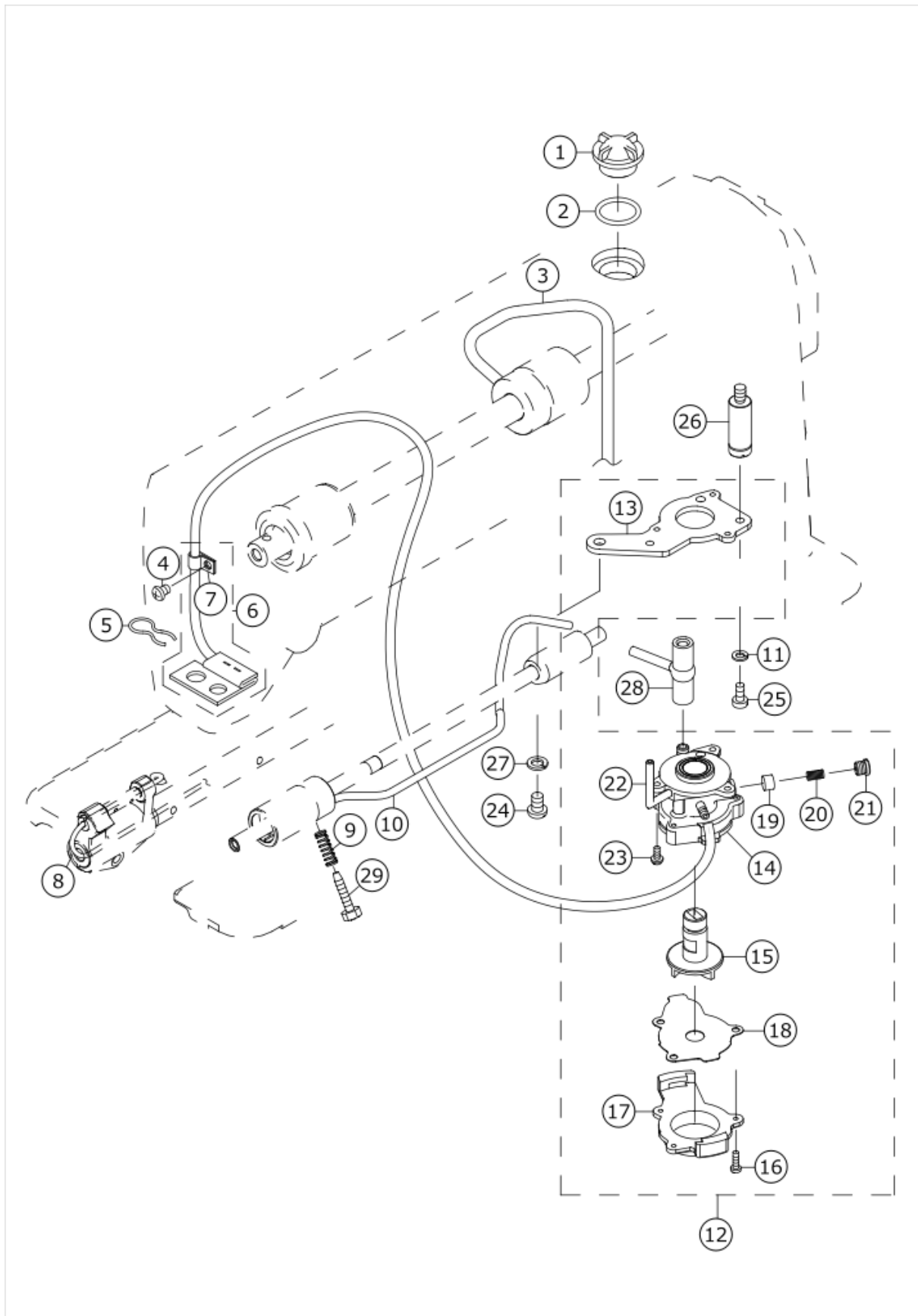
No.	品番	品名	備考	子部品	消耗品	個数
1	40230319	LED_BT_SWITCH_ASSY_7A				1.00
2	22953509	PLUNGER_ARM_PIN				1.00
3	SS4151215SP	SCREW_15/64-28_L=12				2.00
4	40130594	REVERSE_FEED_SOLENOID				1.00
5	22954002	PLUNGER_SPRING				1.00
6	RE0500000KP	E-RING_5				2.00
7	11101300	REVERSE_FEED_CONNECTING_SHAFT				1.00
8	RE0900000K0	E-RING_9				1.00
9	22953657	CONNECTING_ARM_ASM.				1.00
10	RE0400000KP	E-RING_4				1.00
11	40132066	CONNECTING_LINK				1.00
12	RE1200000K0	E-RING_12				1.00
13	WP1602616SZ	WASHER_16X24X2.6				1.00
14	22953400	RUBBER_PLUNGER				1.00
15	RE0400000K0	E-RING_4				2.00

EXCLUSIVE PARTS TYPE NB



No.	品番	品名	備考	子部品	消耗品	個数
1	40225399	THREAD_NIPPER_SET				1.00
2	SS1110640TP	SCREW_11/64-40_L=5.5				2.00
3	G1164870000	SUCTION_O-RING				1.00
4	13403605	RUBBER_PLATE				1.00

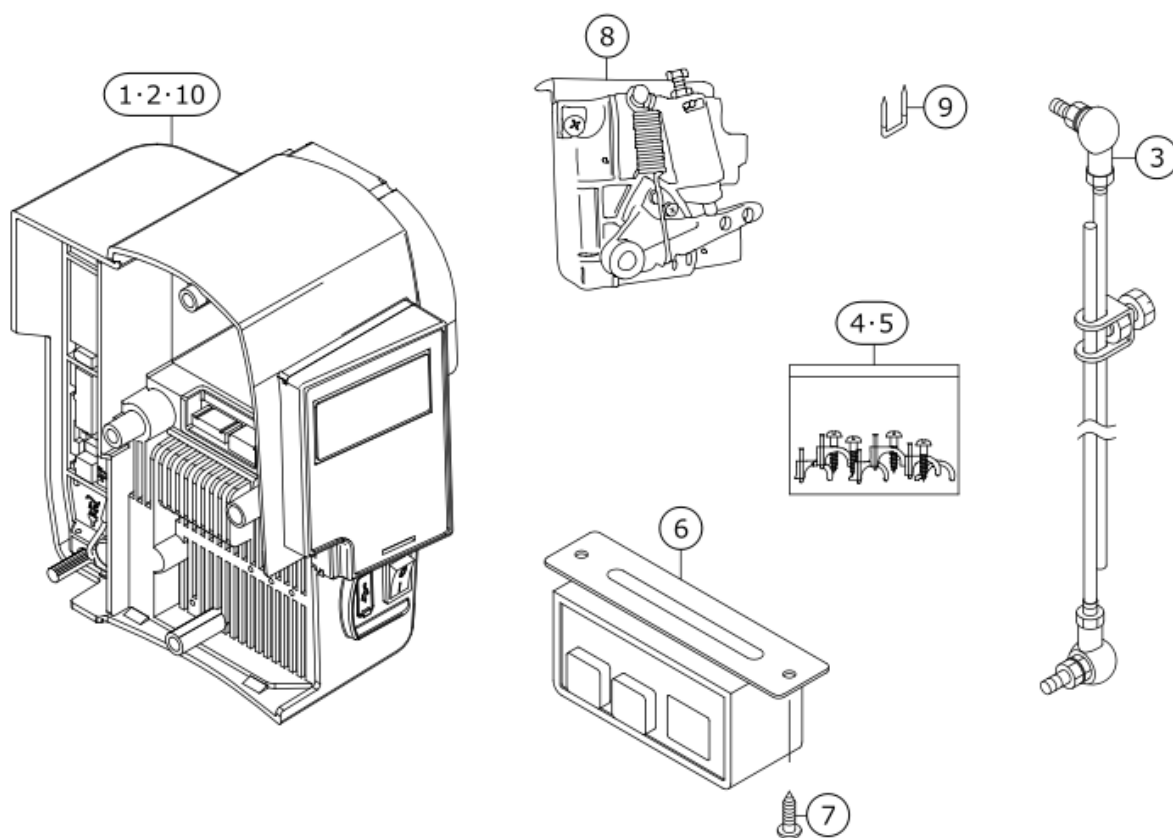
OIL LUBRICATION COMPONENTS



No.	品番	品名	備考	子部品	消耗品	個数
1	22924708	OIL_SIGHT_WINDOW				1.00
2	RO195240100	RUBBER_RING				1.00
3	22924401	MAIN_SHAFT_OIL_TUBE				1.00
4	SS4120615SP	SCREW_3/16-28_L=6				1.00
5	22925101	OIL_FELT_PRESSER				1.00
6	22924153	OIL_RETURN_TUBE_ASM.				1.00
7	22924302	HOLDER		*		1.00
8	CQ252000000	OIL_WICK				0.30
9	40127179	OIL_REGULATOR_SPRING				1.00
10	40127193	HOOK_OIL_TUBE				1.00
11	WS0451040KP	SPRING_WASHER_4.5X8.5X1				1.00
12	22923056	LUBRICATING_OIL_PUMP_ASM.				1.00
13	22923312	OIL_PUMP_INSTALLING_BASE		*		1.00
14	22923015	OIL_PUMP		*		1.00
15	22923700	OIL_PUMP_IMPELLER		*		1.00
16	SE4301041SR	SCREW_D=3_L=10		*		1.00
17	22923205	LUBRICATING_OIL_PUMP_COVER		*		1.00
18	22923809	OIL_PUMP_IMPELLER_COVER		*		1.00
19	22923403	PLUNGER		*		1.00
20	22923601	PLUNGER_SPRING		*		1.00
21	22923502	PLUNGER_SCREW		*		1.00
22	22923908	HOOK_DRIVING_SHAFT_OIL_TUBE		*		1.00
23	SL4030851SF	SCREW_M3_L=8		*		3.00
24	SS4150915SP	SCREW_15/64-28_L=9				1.00
25	SS6111010TP	SCREW_11/64-40_L=9.5				1.00
26	22947105	OIL_PUMP_SUPPORT				1.00
27	WS0651310KP	SPRING_WASHER_6.5X11X1.3				1.00
28	22924609	RUBBER_JOINT				1.00
29	40127178	OIL_REGULATOR_SCREW				1.00

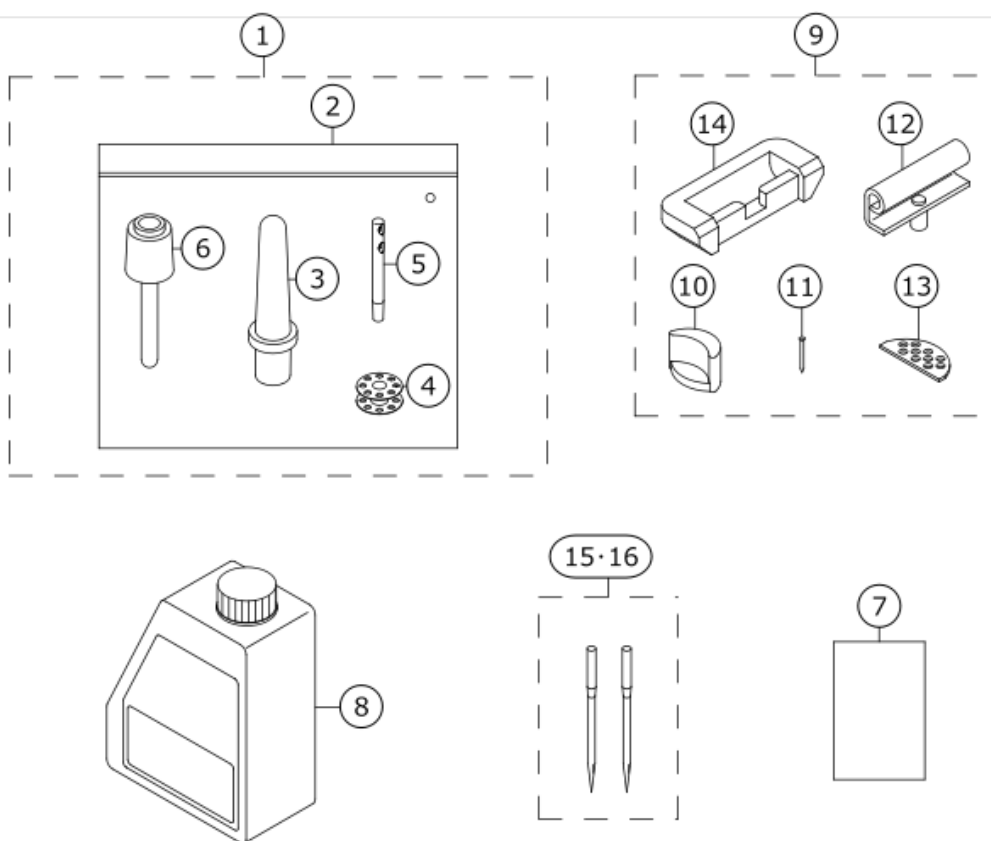
No.	品番	品名	備考	子部品	消耗品	個数
1	40111876	OIL_RESERVER_ASM.				1.00
2	40105821	OIL_RESERVOIR		*		1.00
3	22931901	OIL_RESERVOIR_GASKET		*		1.00
4	B1116210D00	FRAME_SUPPORT_RUBBER		*		4.00
5	SS6700710SH	SCREW_5/16-24_L=7		*		1.00
6	RO098240100	RUBBER_RING		*		1.00
7	22932156	KNEE_LIFTER_ROTATION_ARM_ASM.		*		1.00
8	22932107	KNEE_LIFTING_ROTATING_ARM		*		1.00
9	NM6060001SE	NUT_M6		*		2.00
10	SM8063012TR	SCREW_M6_L=30		*		2.00
11	22932206	SPRING		*		1.00
12	RE1000000K0	E-RING_10		*		1.00
13	22932453	BRACKET_ASM.		*		1.00
14	22932404	BRACKET		*		1.00
15	22934707	SCREW		*		2.00
16	40101720	SCREW_M6		*		1.00
17	40101541	KNEE_PRESS_CROSS_SHAFT		*		1.00
18	NM6060001SE	NUT_M6		*		1.00
19	22934251	KNEE_PAD_PLATE_ASM.				1.00
20	22934608	KNEE_PAD_UPRIGHT_SHAFT		*		1.00
21	22934400	KNEE_PAD_PLATE_RUBBER		*		1.00
22	22934202	KNEE_PAD_PLATE		*		1.00
23	22934301	KNEE_PAD_PLATE_SUPPORT		*		1.00
24	SM9061203SE	SCREW_M6_L=12		*		1.00
25	22934509	KNEE_PAD_PLATE_COVER		*		1.00
26	B8228125000	OIL_RESERVOIR_MAGNET				1.00
27	22931703	KNEE_LIFTER_PUSH_ROD				1.00

PSC UNIT



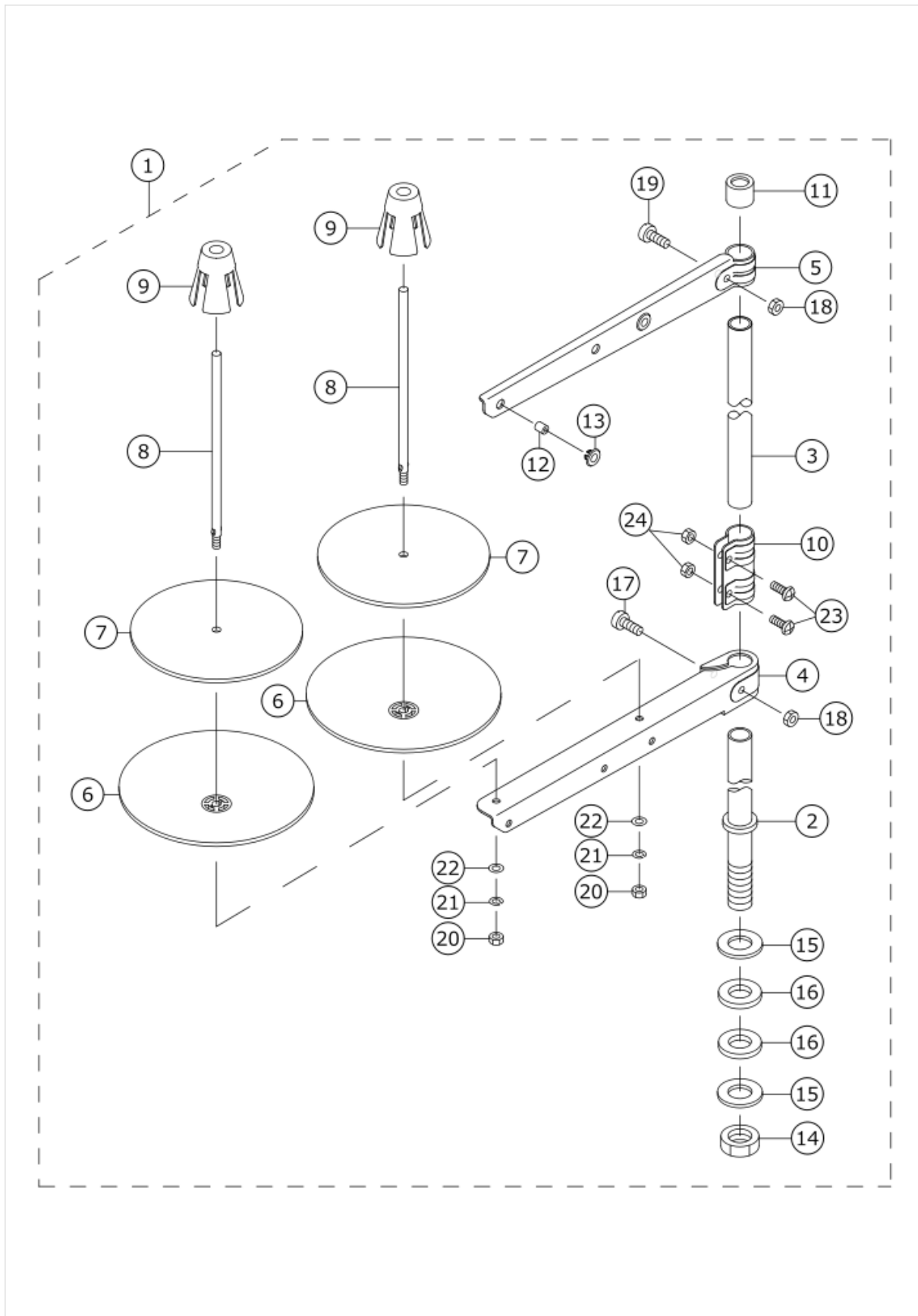
No.	品番	品名	備考	子部品	消耗品	個数
1	40225188	CONTROL_BOX_1P	OTHER THAN FOR AD			1.00
2	40225280	CONTROL_BOX_3P	FOR AD			1.00
3	40131478	CONNECTING_ROD_ASSY				1.00
4	40215705	ACCESSORIES_PARTS_ASSY	OTHER THAN FOR AD			1.00
5	40224061	ACCESSORIES_PARTS_3P_ASSY	FOR AD			1.00
6	40253670	POWER_SWITCH_ASSY_A	FOR AD			1.00
7	40093427	WOOD_SCREW D=5.1 L=18	FOR AD			2.00
8	40215706	PEDAL_SENSOR_BASE_ASSY				1.00
9	MAO11532000	CORD_STAPLE	FOR AD			4.00
10	40226908	CONTROL_BOX_1P_220_240V_CE	FOR BB			1.00

ACCESSORIE PARTS COMPONENTS



No.	品番	品名	備考	子部品	消耗品	個数
1	40130788	ACCESSORIE_BAG_ASSY				1.00
2	22932800	ACCESSORIE_BAG		*		1.00
3	22931604	FRAME_SUPPORT_BAR		*		1.00
4	22932909	BOBBIN		*		1.00
5	22958300	NEEDLE_THREAD_GUIDE_PIN		*		1.00
6	22931703	KNEE_LIFTER_PUSH_ROD		*		1.00
7	40225224	SAFETY_INSTRUCTION_MANUAL(1K)				1.00
8	40102087	JUKI_MACHINE_OIL_7				1.00
9	40137214	RUBBER_HINGE_ASM.				1.00
10	22958003	FRAME_BUBBER_CUSHION		*		2.00
11	22926208	NAIL		*		8.00
12	40137215	HINGE_COMPL.		*		2.00
13	22926505	WASHER		*		2.00
14	22926000	RUBBER_CUSHION		*		2.00
15	MDB100B1402	NEEDLE_DBX1#14-2	TYPE S			1.00
16	MDP500B2102	NEEDLE_DPX5#21-2	TYPE H			1.00

THREAD STAND COMPONENTS



No.	品番	品名	備考	子部品	消耗品	個数
1	40096354	THREAD_STAND_ASM.				1.00
2	40085784	SPOOL_REST_ROD_(LOWER)		*		1.00
3	40085785	SPOOL_REST_ROD_(UPPER)		*		1.00
4	40085786	SPOOL_REST_ARM_(LOWER)		*		1.00
5	40085787	SPOOL_REST_ARM_(UPPER)		*		1.00
6	40085788	SPOOL_REST		*		2.00
7	40085789	SPOOL_REST_CUSHION		*		2.00
8	40085790	SPOOL_PIN		*		2.00
9	40085791	SPOOL_RETAINER		*		2.00
10	40085792	SPOOL_REST_ROD_JOINT		*		1.00
11	40085793	SPOOL_REST_ROD_RUBBER_CAP		*		1.00
12	40085794	THREAD_GUIDE		*		2.00
13	40085795	THREAD_GUIDE_BUSHING		*		2.00
14	40096325	SPOOL_REST_ROD_NUT		*		1.00
15	WP1612616SE	WASHER_16X30X2.6		*		2.00
16	40085796	SPOOL_REST_ROD_RUBBER_CUSHION		*		2.00
17	40096326	SPOOL_REST_ARM_LOWER_SCREW		*		1.00
18	NM6050001SE	NUT_M5		*		2.00
19	40096327	SPOOL_REST_ARM_UPPER_SCREW		*		1.00
20	NM6050001SE	NUT_M5		*		2.00
21	WS0510002KN	SPRING_WASHER_M5		*		2.00
22	WP0531001SC	WASHER_M5		*		2.00
23	SM4051405SE	SCREW_M5_L=14		*		2.00
24	NM6050001SE	NUT_M5		*		2.00

HOW TO MAKE USE OF THIS PARTS LIST

1.Explanation of codes

1)"*"mark.....means this part is changed from the previous parts book.

As to the details of the change, refer to the "List for information of change".

2)"#01".....refer to "Note" explanation at bottom of page.

2.Codes on the "Qty" column

· Each numeral indicates the number of parts required.

· "0.1" and "2.5" indicate the length (in meters) of the respective parts.

3.Parentheses mean that the corresponding part is a subpart that constructs an assembly part.

4.Dotted lines on the Figures indicate assembly parts.

5.As to the parts with marks of "☆"(consumable parts) and "◎"(optional parts)on the respective parts, it is recommended to prepare spares.

1."注記"欄の記号説明

1) "*"印.....前回のパーツブックに比較して今回変更された部品を意味します。

変更内容は、"変更情報リスト"を参照してください。

2) "#01".....ページ下の"注記"の説明を参照してください。

2.数量欄の数字は、個数を表し、0.1、2.5等の数値は、長さ（単位メートル）を表します。

3.数量欄の（ ）は、組部品を構成している子部品であることを意味します。

4.イラストページの-----枠は、組構成であることを意味します。

5.リストページの"☆"（消耗部品）、"◎"（オプション部品）の印がついた部品は、予備を準備しておくことをお奨めします。